

DIY Hope Chest {And Christmas Tree Box}

By **Woodshop Diaries**

Difficulty

Moderate

This simple hope chest looks great as a Christmas tree box stand, but when the season is over, it can hold all your decorations so they are ready for next season! If you don't want to use it for seasonal decor, it also makes a great coffee table or entryway bench as well. Great plan for a beginner!





Tools

Kreg Tools



Other Tools

Circular Saw (cordless)

Miter Saw

Square

Table Saw

Tape Measure

Clamps

Drill (cordless)

Sander

Materials

Wood Products

1 Plywood , 3/4" Thick , Quarter Sheet

1 Board , 1x3 , 120"

1 Board , 1x2 , 36"

5 Board , 2x4 , 96"

5 Board , 1x4 , 96"

1 Board , 1x6 , 120"

Hardware & Supplies

56 2 1/2" Pocket Hole Screws

20 1 1/4" Pocket Hole Screws

62 1 1/4" Wood Screws

2 Hinges To Attach Lid

2 Chest Handles

1 Chest Lid Latch

1 Pair Soft Close Mechanisms

Cut List & Parts

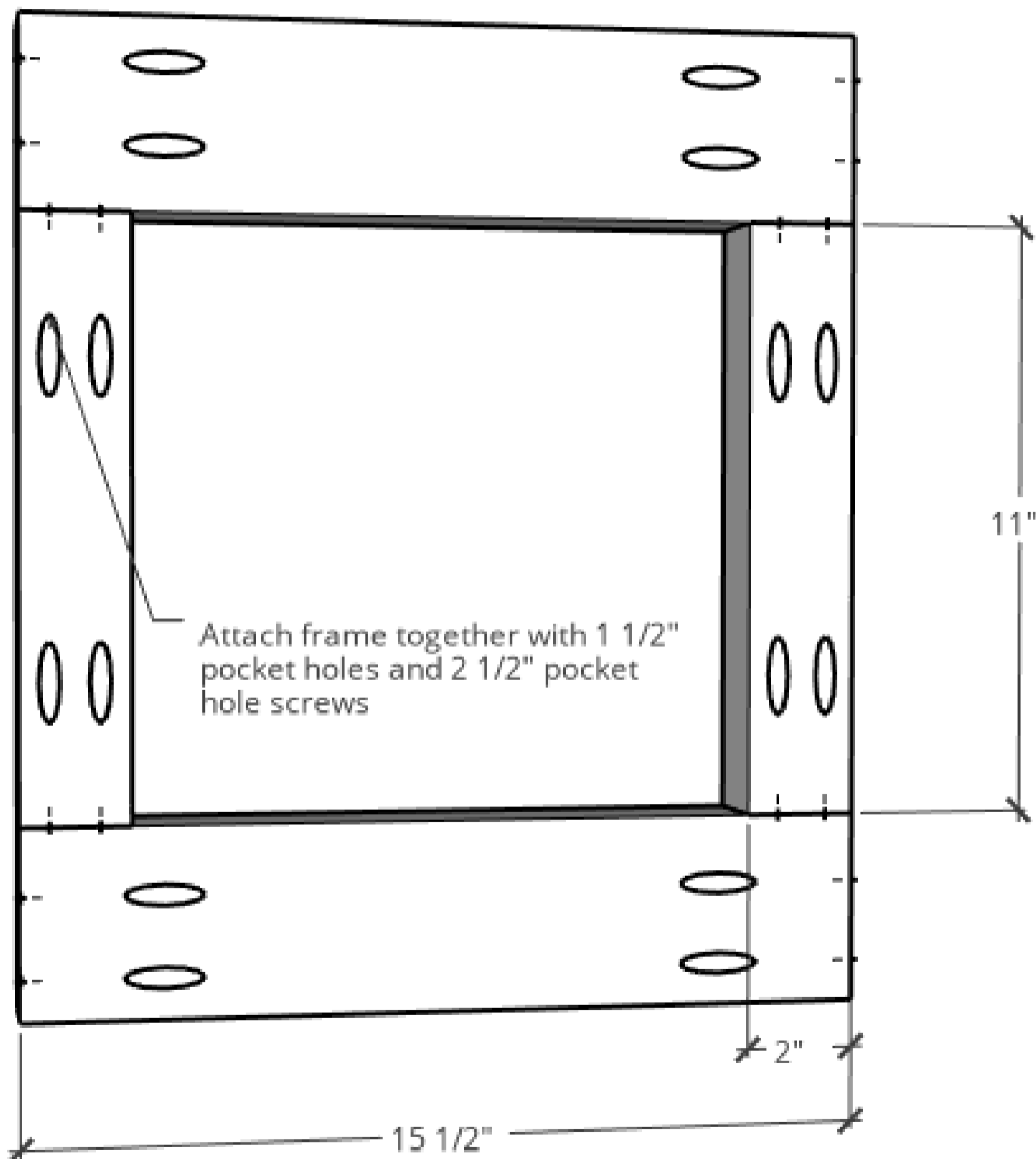
- 4 Long Frame Top And Bottom , 1 1/2" X 3 1/2" X 38"
- 4 Long Frame Sides , 1 1/2" X 3 1/2" X 11"
- 4 Short Frame Top And Bottom , 1 1/2" X 3 1/2" X 15 1/2"
- 4 Short Frame Sides , 1 1/2" X 2" X 11"
- 1 Plywood Bottom , 3/4" X 15 1/2" X 35"
- 28 Side Panel Slats , 3/4" X 3 1/2" X 15 1/2"
- 2 Long Lid Frame Pieces , 1 1/2" X 3 1/2" X 38"
- 2 Short Lid Frame Pieces , 1 1/2" X 3 1/2" X 15 1/2"
- 2 Short Inside Lid Frame , 3/4" X 2 1/2" X 15 1/2"
- 2 Long Inside Lid Frame , 3/4" X 2 1/2" X 33 1/2"
- 2 Lid Middle Supports , 3/4" X 1 1/2" X 14"
- 2 Lid Slats , 3/4" X 5 1/2" X 35"
- 1 Lid Slat , 3/4" X 4 1/2" X 35"

Directions

1

Build Short Frames

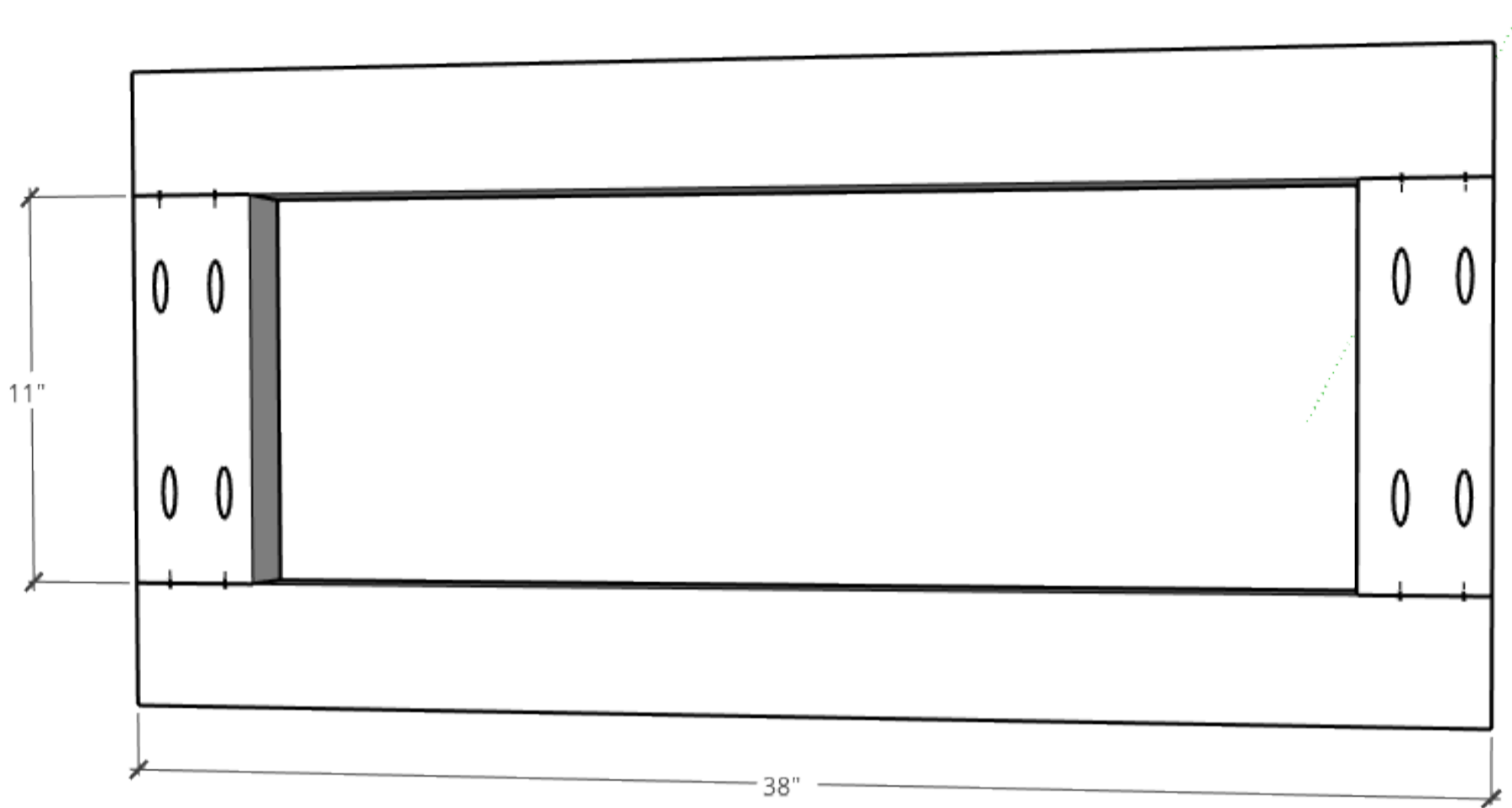
Cut pieces according to the cut list to assemble the short side frames—so two pair of: two 2x4s @ 15 1/2" and two 2x4s @ 11" and ripped to 2" wide. Side note: if you don't have a table saw to rip these to 2", that's totally fine. You can use as a standard 2x4 instead OR you can also replace this with a 2x2 as well. The only reason I ripped these to 2" is just to make the corner pieces the same width on both sides. It doesn't affect the overall design. Drill 1 1/2" pocket holes using a Kreg Jig into the ends of all these pieces. Assemble like shown using 2 1/2" pocket hole screws.



2

Build Front and Back Frames

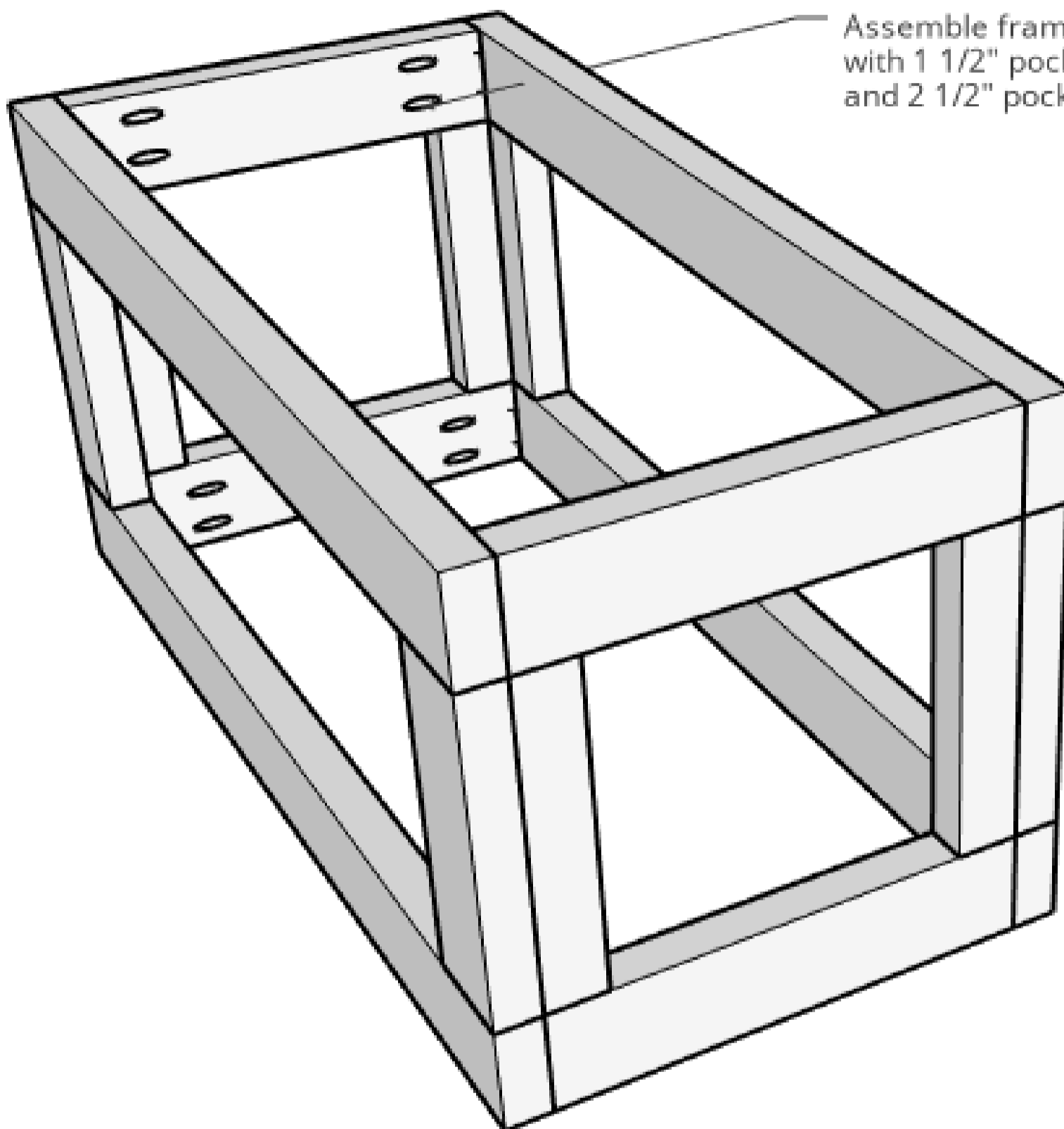
Similarly, build two long frames by cutting the long frame pieces according to the cut list and drilling 1 ½" pocket holes into the ends of the 11" long pieces and assemble like shown with 2 ½" pocket hole screws.



3

Assemble Box Frame

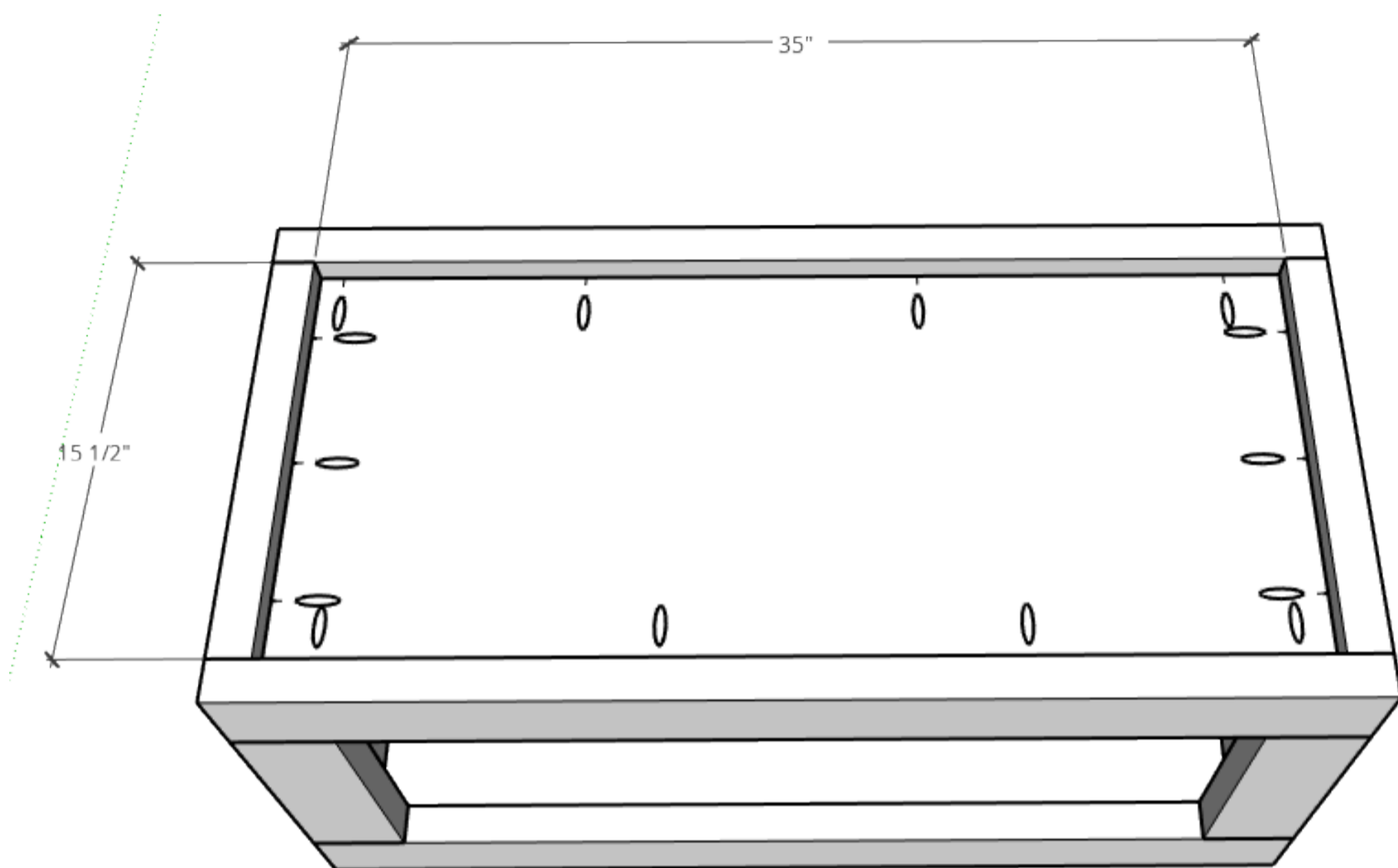
Now, it's time to put all the side frames together to build the box frame. Using 2 1/2" pocket hole screws through the short frame ends like shown, assemble the box.



Assemble frame together with 1 1/2" pocket holes and 2 1/2" pocket hole screws

4**Attach Bottom**

Cut the bottom of the box according to the cut list from $\frac{3}{4}$ " plywood and drill $\frac{3}{4}$ " pocket holes along the edges using a Kreg pocket hole jig. Insert the bottom into the box frame like shown so that it is about 1" from the bottom edge and attach using $1\frac{1}{4}$ " pocket hole screws through the pocket holes like shown.



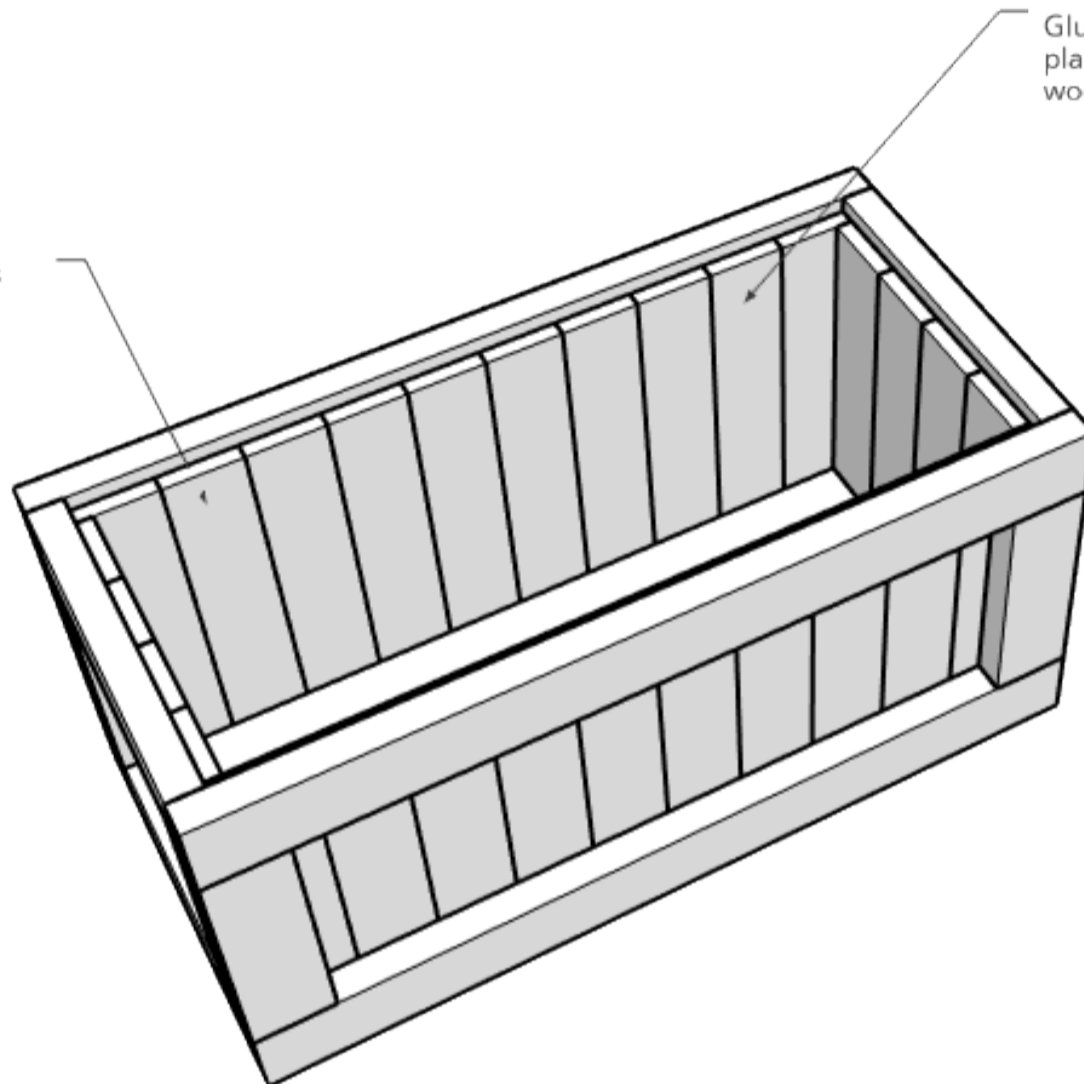
5

Add Side Slats

Now things start to take some shape. Cut pieces for the side slats according to the cut list. Place these slats in the front and back first, then work on the sides. Glue and screw these slats in place at the top and bottom using 1 1/4" wood screws. NOTE: Place these slats up against the bottom of the box. There will be about a 3/4" "lip" along the top of these boards. THAT IS OKAY.

Attach boards on long sides first, then attach boards on short sides

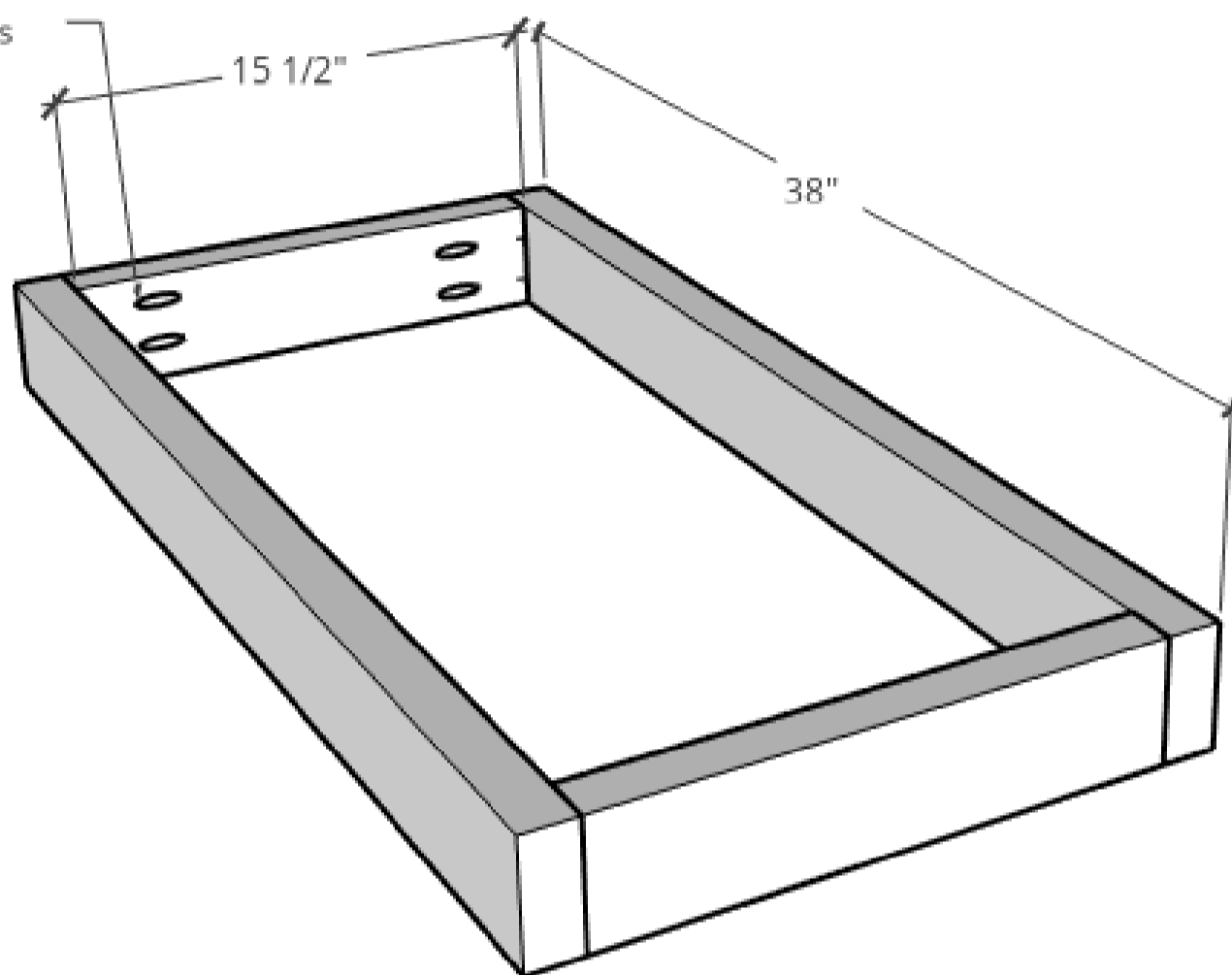
Glue and screw 1x4 slats in place like shown using 1 1/4" wood screws



6**Build Lid Outside Frame**

Now that the box is together, it's time to work on the top. Now, the lid is optional. Remember the $\frac{3}{4}$ " lip along the top of the box from step 5? If desired, glue some foam on a piece of $\frac{3}{4}$ " plywood and cover it with fabric and place on that lip for an easily removable upholstered lid. OR, proceed with this wooden lid instead. Assemble a frame like shown from 2x4s using $1\frac{1}{2}$ " pocket holes and $2\frac{1}{2}$ " pocket hole screws. This should be the exact same size as your box.

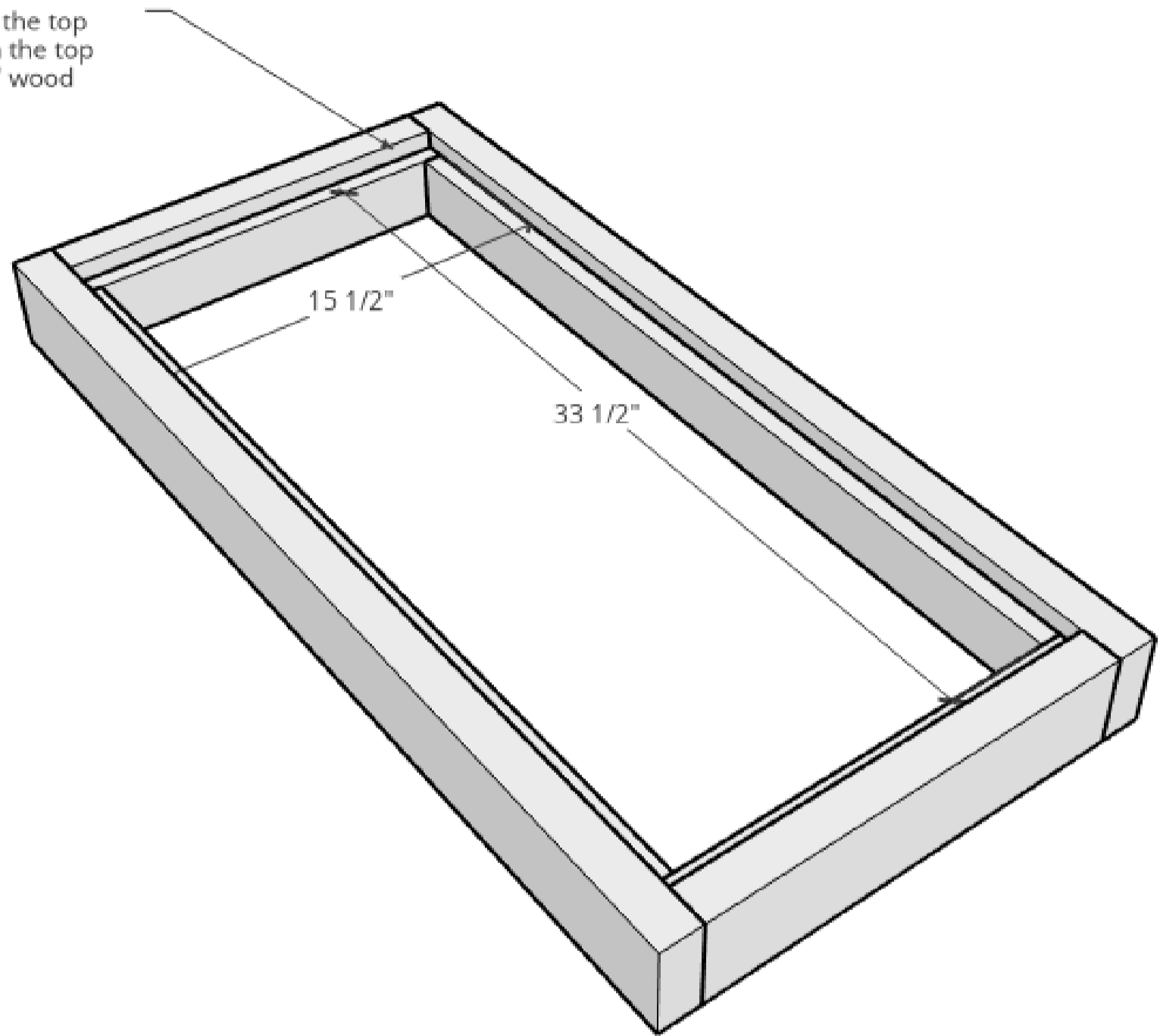
Assemble Top Frame with 2x4s and $1\frac{1}{2}$ " pocket holes and $2\frac{1}{2}$ " pocket hole screws



7**Attach Lid Inside Frame**

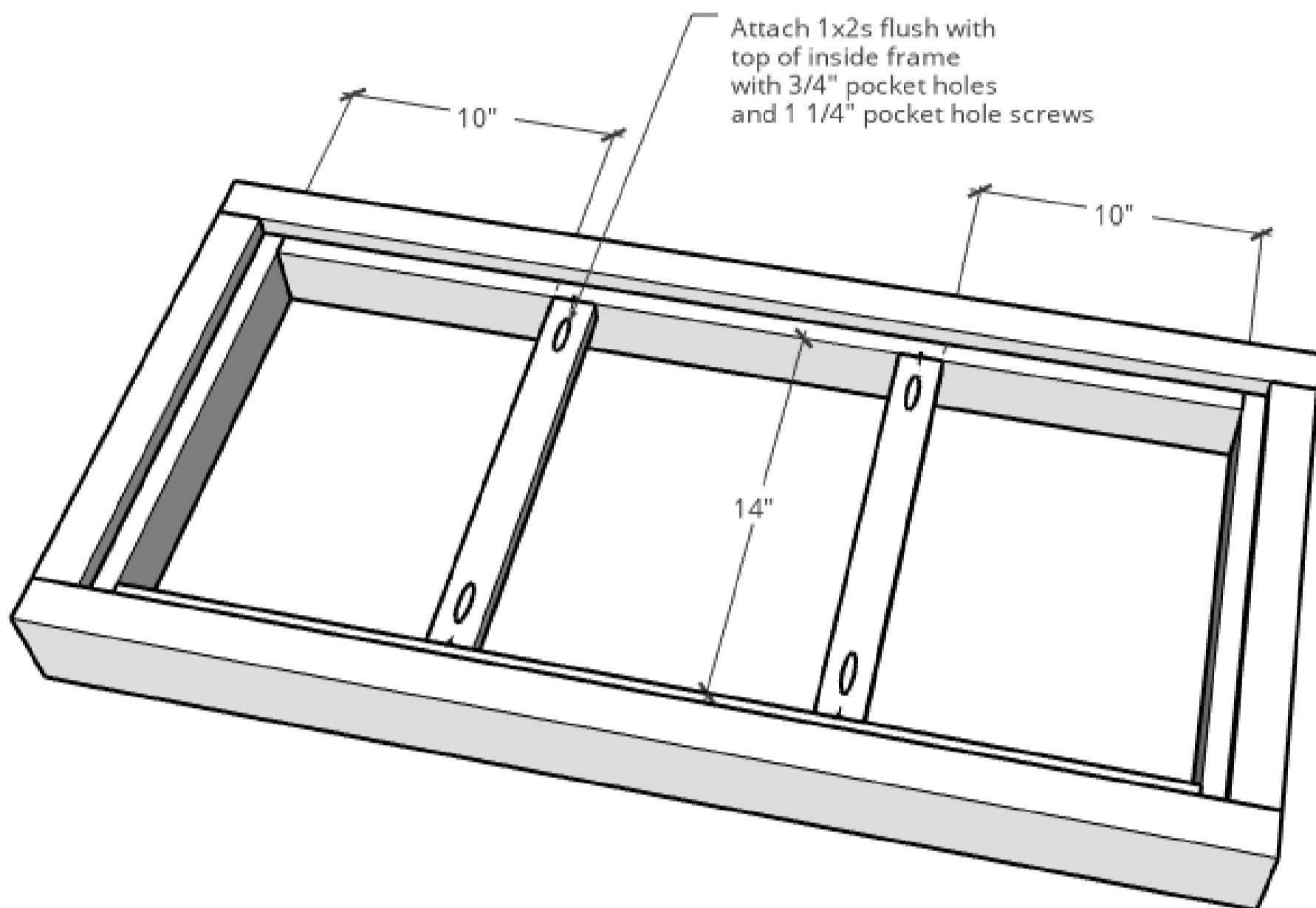
Cut and screw "inside liner" pieces cut from a 1x3 along the inside of this frame leaving a $\frac{3}{4}$ " lip along the top. Screw these 1x3 boards in place using $1\frac{1}{4}$ " wood screws.

Screw 1x3s into the top frame $\frac{3}{4}$ " from the top edge with $1\frac{1}{4}$ " wood screws



8**Attach Lid Frame Supports**

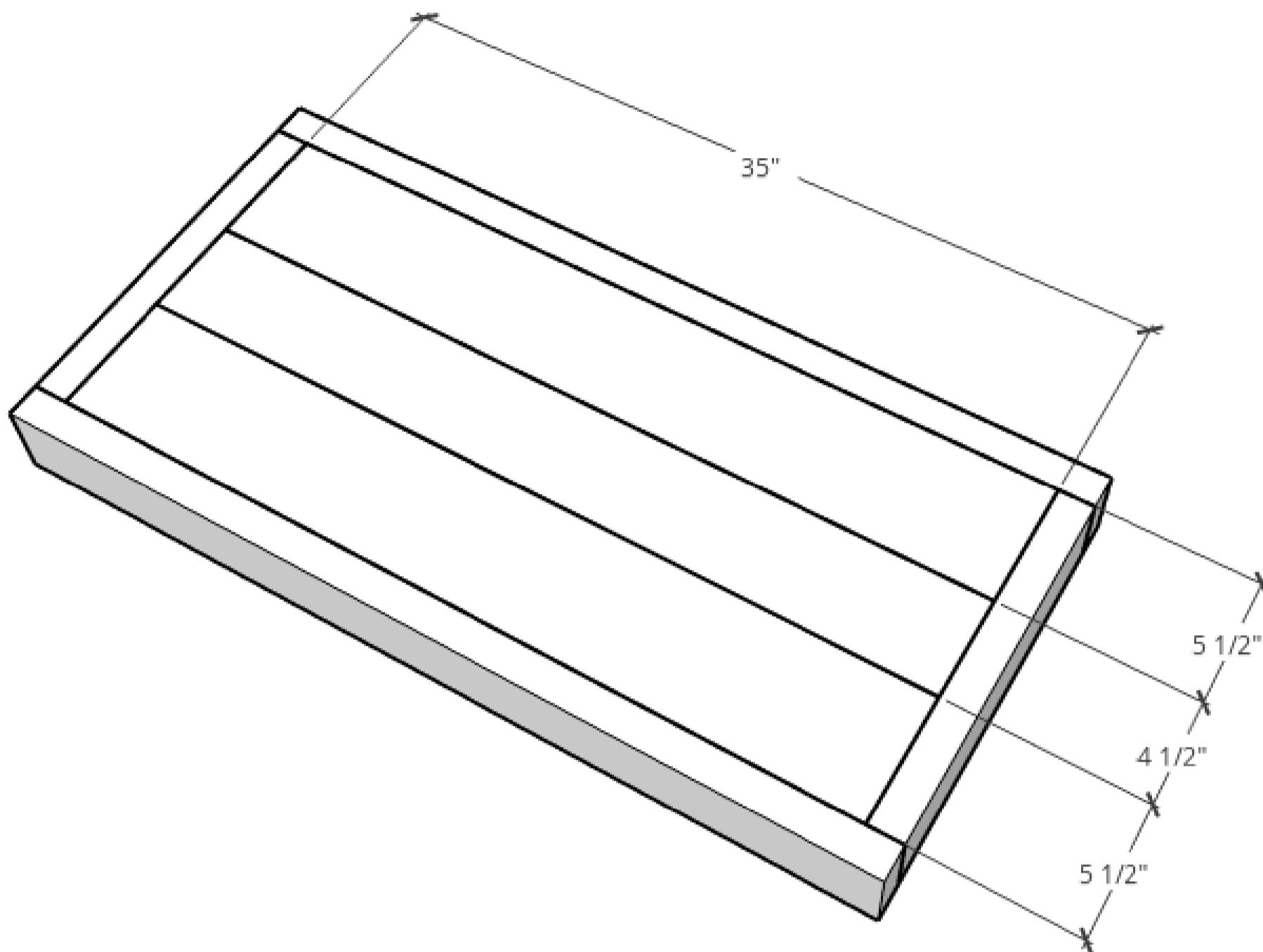
Attach two 1x2s like shown into the frame keeping it flush to the top of the INSIDE boards. If you didn't want to buy a 1x2 for this, you can use any kind of scraps instead. It's just to help hold the lid slats together.



9

Add Top Slats

Cut three pieces of 1x6 to 35" long and rip one piece to 4 1/2" wide. Apply wood glue along the inside lip of the lid and along the middle supports. Place these slats on this lip and screw securely in place through the boards from step 8 on the underside using 1 1/4" wood screws.



10

Finish

Allow the glue to dry completely on the lid slats, then sand well and finish as desired. As an optional step, install chest handles, a latch, etc.

11

Attach Lid

Install lid to box using some heavy duty hinges like shown. You could also use a piano hinge as well. And if desired, add a soft close mechanism to prevent smashed fingers. Links to the exact hardware shown can be found at the link in the extras tab.



12

Use as Desired

This hope chest makes an excellent Christmas tree box stand and once the holidays are over, it's a great place to store your decorations so everything is ready again for next year! To open the lid all the way for the tree to be placed inside, simply "unhook" one end of the soft close mechanisms and open all the way. Then hook it back once you're ready to use it as a chest again. (See video) This makes a great coffee table, end of bed storage, or entry way bench when not serving as a tree stand.

