

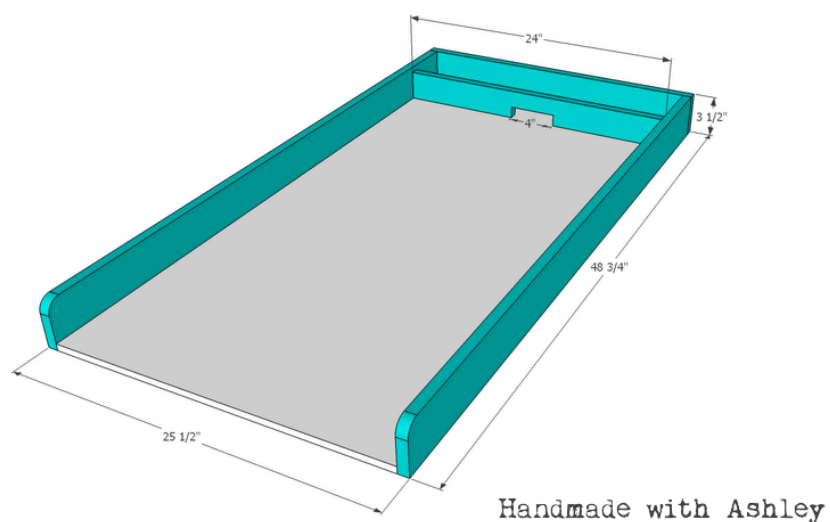
DIY Festival Game

By **Handmade with Ashley**

Difficulty

Easy

Step by step instructions on how to build a simple, fun puck shot carnival game.



Tools

Other Tools

Circular Saw (corded)

Jigsaw

Clamps

Drill (corded)

Nail Gun

Router

Sander

Materials

Wood Products

2 Board , 1x4 , 96"

1 Board , 1x3 , 24"

1 Plywood , 1/2" Thick , Quarter Sheet

Hardware & Supplies

1 Spray Paint

1 Spray Sealer

1 Wood Glue

Cut List & Parts

- 2 Side Frame , 1x4 X 48"
- 1 Goal , 1x3 - 24"
- 1 Back Frame , 1x4 - 25.5"

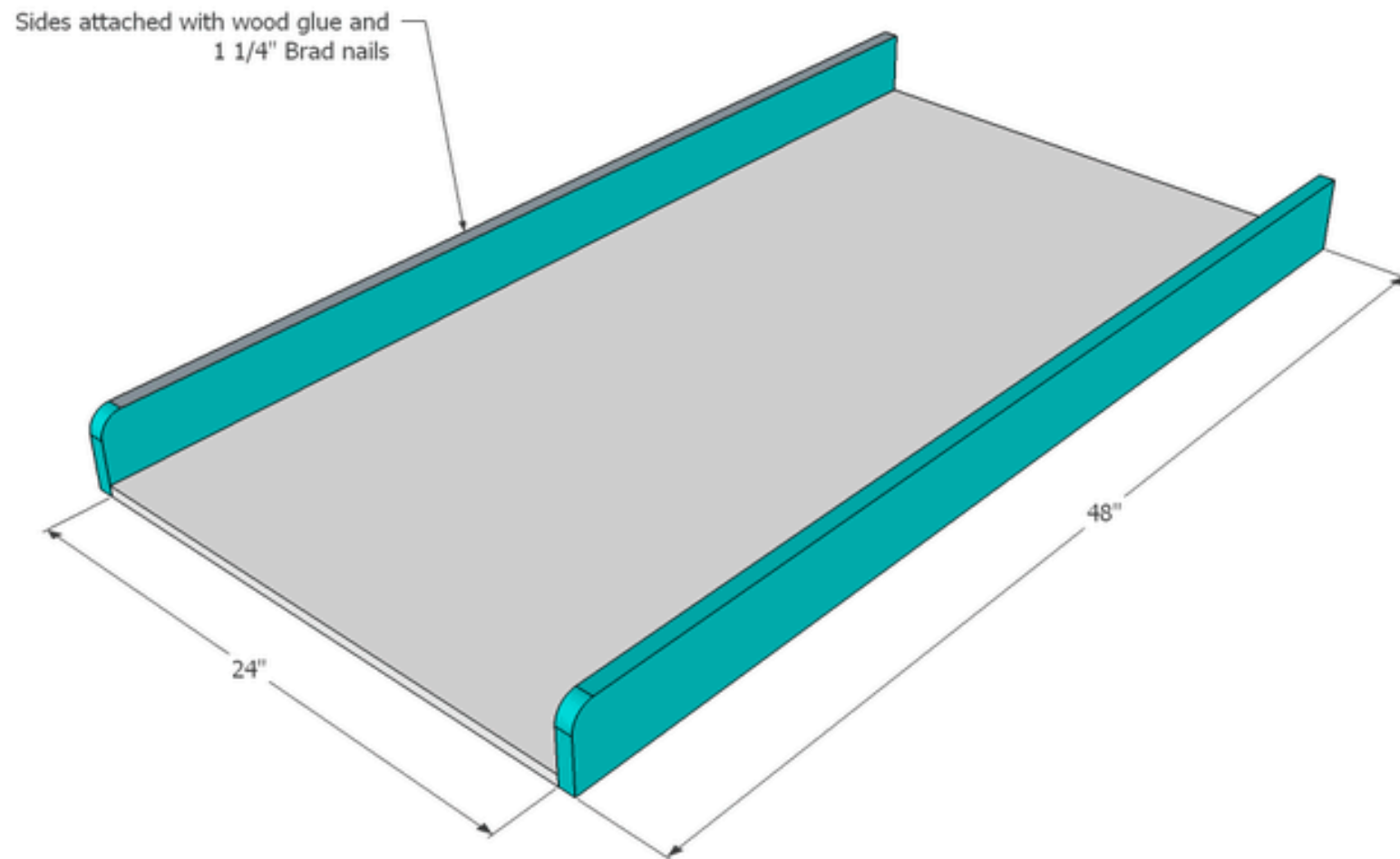


Directions

1

Attach the side frame

Attach the side frames to the plywood base with wood glue and 1 1/4" Brad nails.

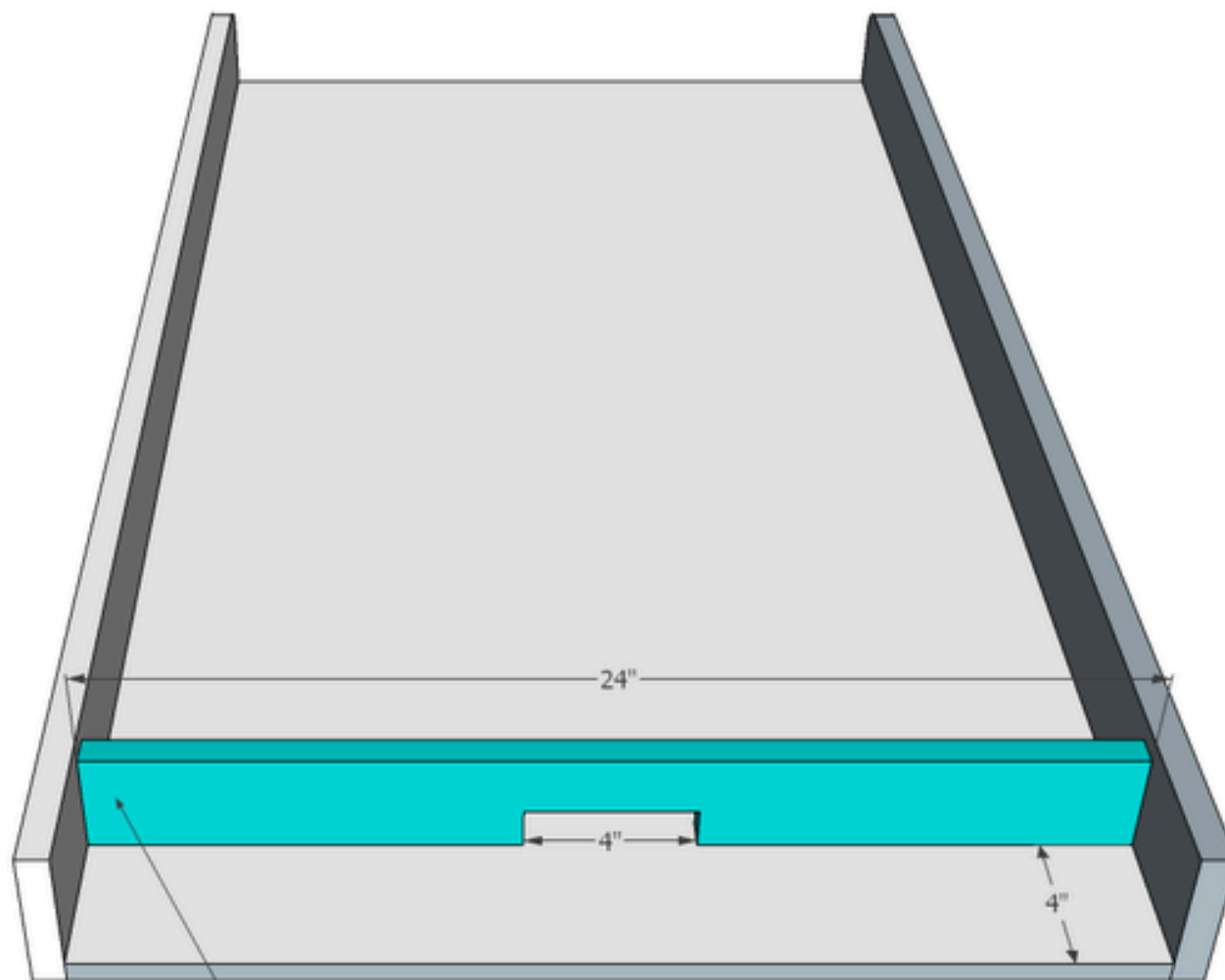


Handmade with Ashley

2

Attach the puck goal

Attach the puck goal 4" from the edge of the plywood base with wood glue and 1 1/4" Brad nails.



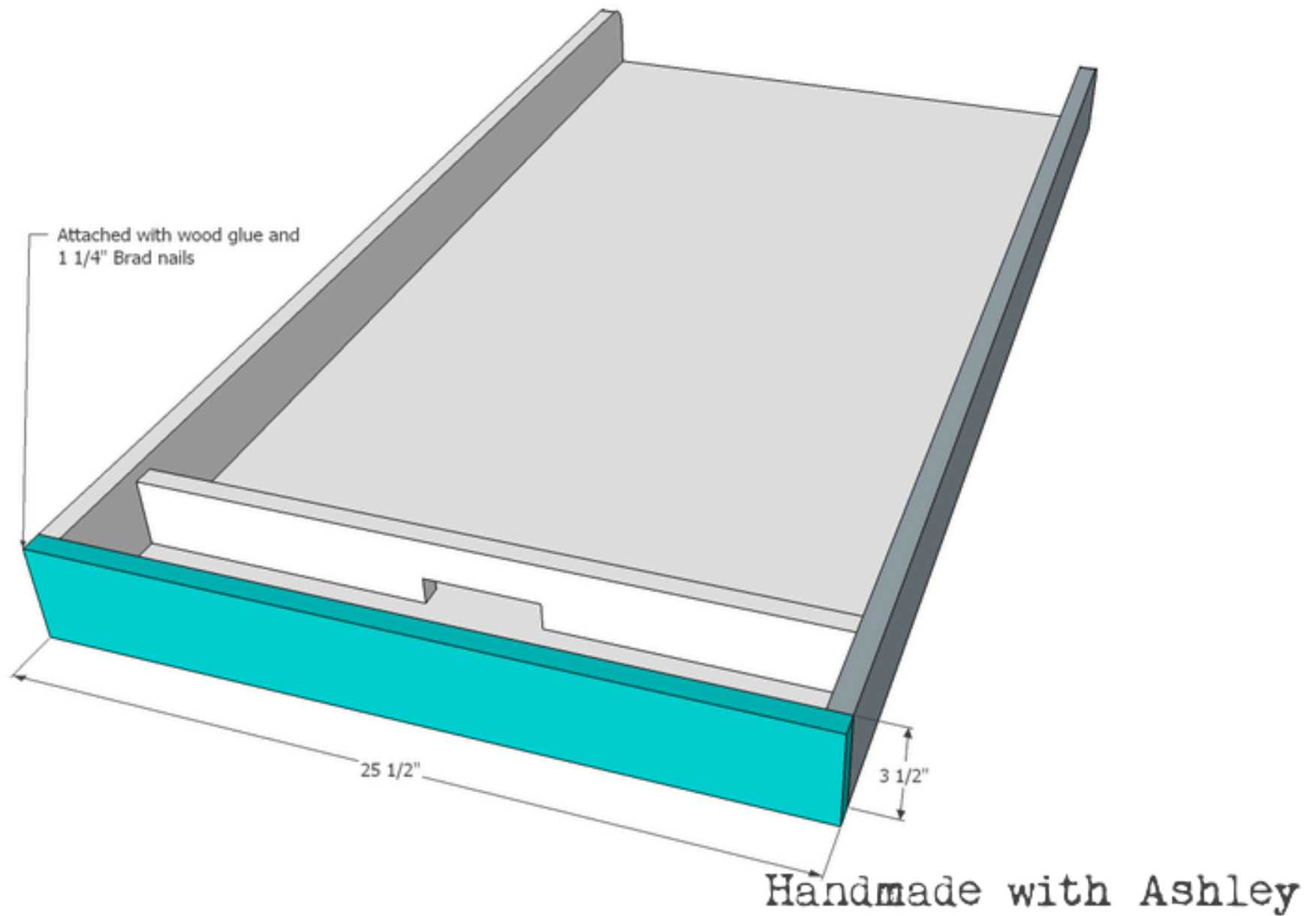
Attached with wood glue and
1 1/4" Brad nails

Handmade with Ashley

3

Attach the back frame

Attach the back frame to the plywood base and frame sides with wood glue and 1 1/4" Brad nails.



4

Prep the surface for painting

Sand all the boards and the surface of the plywood. Take your time and cycle through 80, 100, 150, 220 grits of sand paper. (Avoid using some of the lower grits of sandpaper on the plywood. For the plywood, start with 150 grit.)

5

Paint and Seal

Paint the boards to your heart's content and seal the surface with your favorite top coat. Check out the link in the "Extras" tab for more photos and happy building!

