

Desk Calendar & Pencil Holder

By **Making Manzanita**

Difficulty

Easy

Go into the new year with a fresh workspace with this desk calendar hold to hang a 5x7 calendar combined with a pencil holder. This build incorporates pocket hole joinery, so it is very easy to make and perfect for beginners. This desk organizer & calendar holder would make a lovely Christmas gift!







Tools

Kreg Tools



[Kreg® Pocket-Hole Jig 720](#)

Other Tools

Miter Saw

Tape Measure

Clamps

Drill (cordless)

Nail Gun

Sander

Materials

Wood Products

1 Board , 1x8 , 24"

Hardware & Supplies

4 1 1/4" Brad Nails

4 1 1/4" Pocket Hole Screws

1 Wood Glue

1 Wood Stain

1 Polyurethane

1 Wood Filler

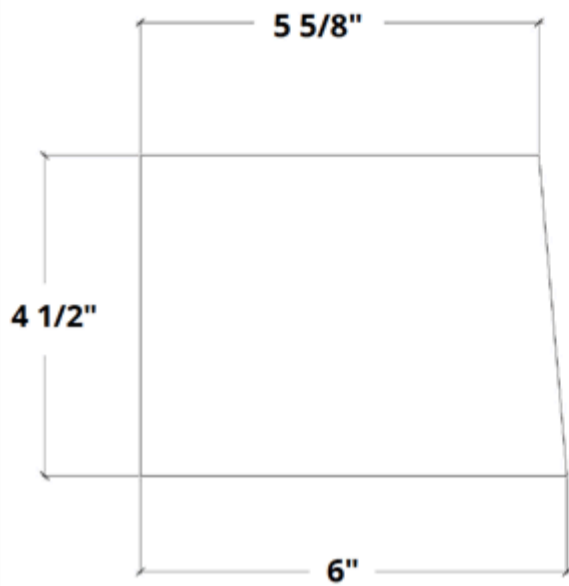
1 Sandpaper (80 And 150 Grit)

1 Binder Clip

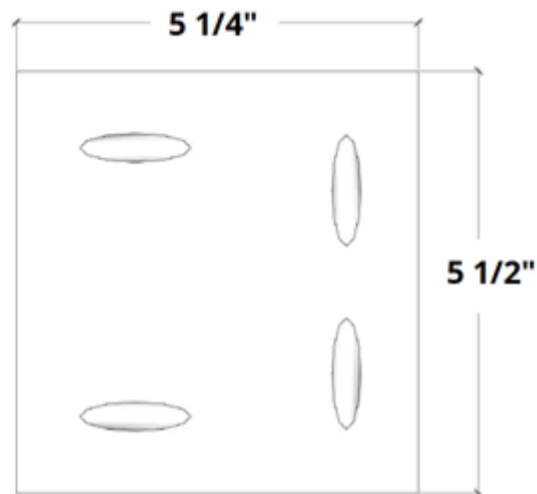
Cut List & Parts

- 2 Side Panels , $3/4"$ X $4 1/2"$ X $5 5/8"$ (On Short Edge) And $6"$ (On Long Edge)
- 1 Bottom Panel , $3/4"$ X $5 1/4"$ X $5 1/2"$
- 1 Front Panel , $3/4"$ X $7"$ X $9 1/16"$ With 5 Degree Angeled Cut On Bottom
- 1 Back Panel , $3/4"$ X $4 1/2"$ X $5 1/2"$

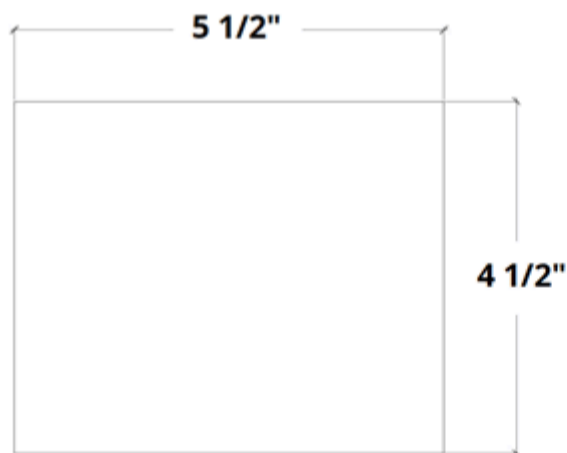
DESK CALENDAR & PENCIL HOLDER: VISUAL CUT LIST



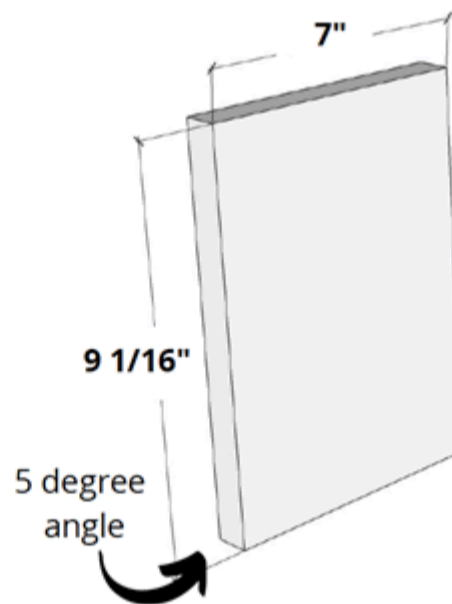
SIDE PANEL - QTY 2



BOTTOM PANEL - QTY 1



BACK PANEL - QTY 1



FRONT PANEL - QTY 1

(c) Making Manzanita - For Personal Use Only

Directions

1

Cut wood.

Cut wood down to size according to the woodworking plans (available in the Extras tab below).

You'll need to make a couple angled cuts. For those you can use a double bevel compound miter saw.



2

Drill pocket holes.

Drill 4 pocket holes on the bottom panel (as shown in woodworking plans) using your Kreg pocket hole jig. You'll drill 2 going towards the front and 1 on each side going towards the sides.



3**Assemble.**

Start with attaching the sides to the back panel with wood glue, 1 1/4" brad nails and a nail gun.

Next attach the bottom panel by screwing in at the pocket hole locations once in place.

Lastly attach the front panel with wood glue and clamp until dry.



4

Sand.

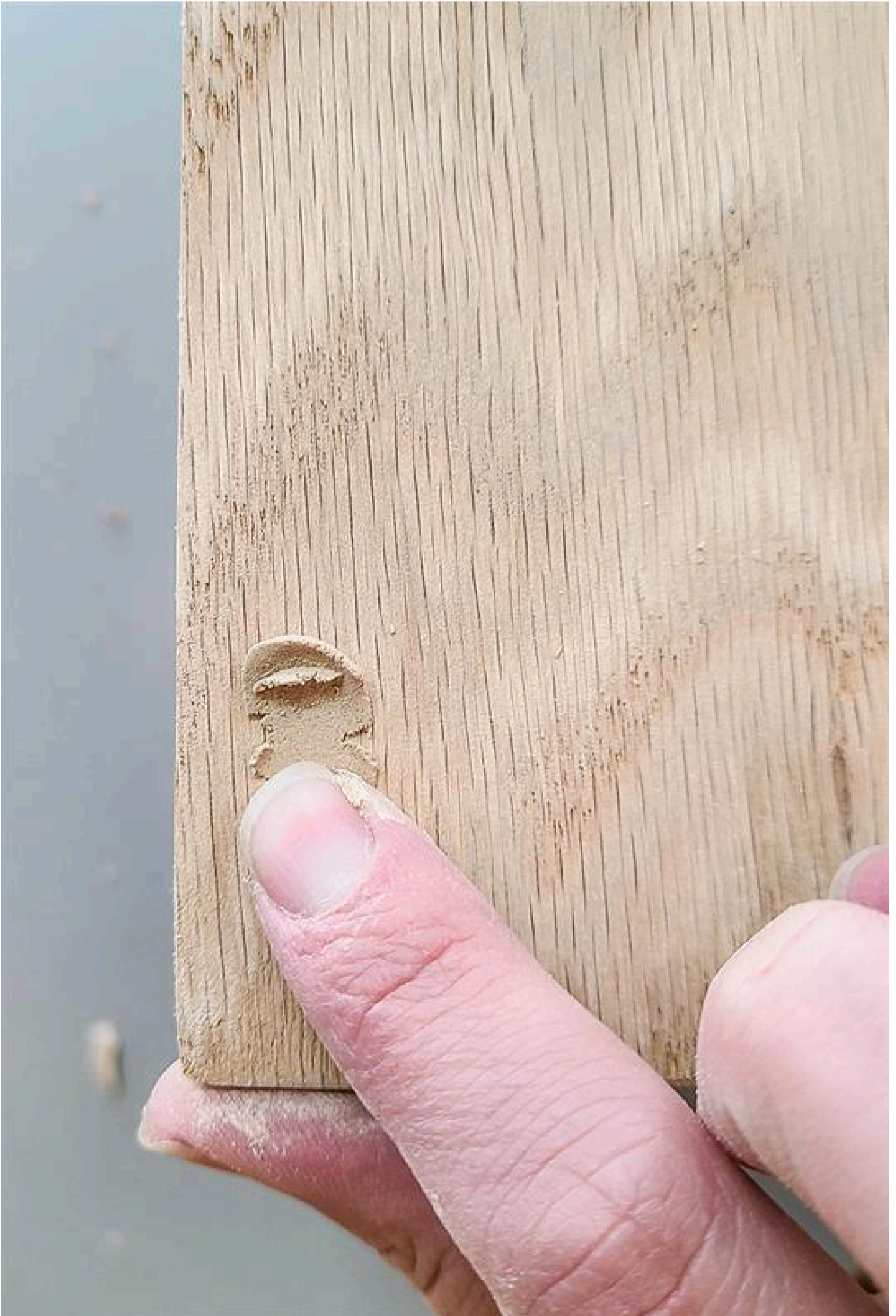
Sand everything thoroughly with an orbital sander. Start with 80 grit sandpaper and then move onto 150 grit sandpaper to smooth.



5

Fill nail holes.

Fill nail holes and any gaps at the joints with wood filler or wood putty. Let dry and sand smooth with 150 grit sandpaper.



6

Stain and seal.

Wipe everything well and then apply a generous layer of stain. We used Natural wood stain. Once dry, seal with polyurethane.



7

Attach clip.

To finish things up, put in a small finish nail on the front to hang a binder clip to the front to hang your calendar.

