

# Bookcase with Toy Storage

By **Rogue Engineer**

Difficulty

Moderate

If you have kids then you know how important toy storage is. This wall unit now only gives you a ton of toy storage but it incorporates a book shelf for all those nighttime stories.

Check the extras tab for a PDF download of these plans and cut list.



# Tools

## Kreg Tools



[Kreg® Pocket-Hole Jig 720](#)

## Other Tools

Circular Saw (cordless)

Jigsaw

Square

Table Saw

Tape Measure

Drill (cordless)

Nail Gun

Sander

# Materials

## Wood Products

**2** Plywood , 3/4" Thick , Full Sheet

**1** Baseboard Trim , 3-1/4" , 48"

**1** Decorative Moulding , 3/4" Thick , 48"

## Hardware & Supplies

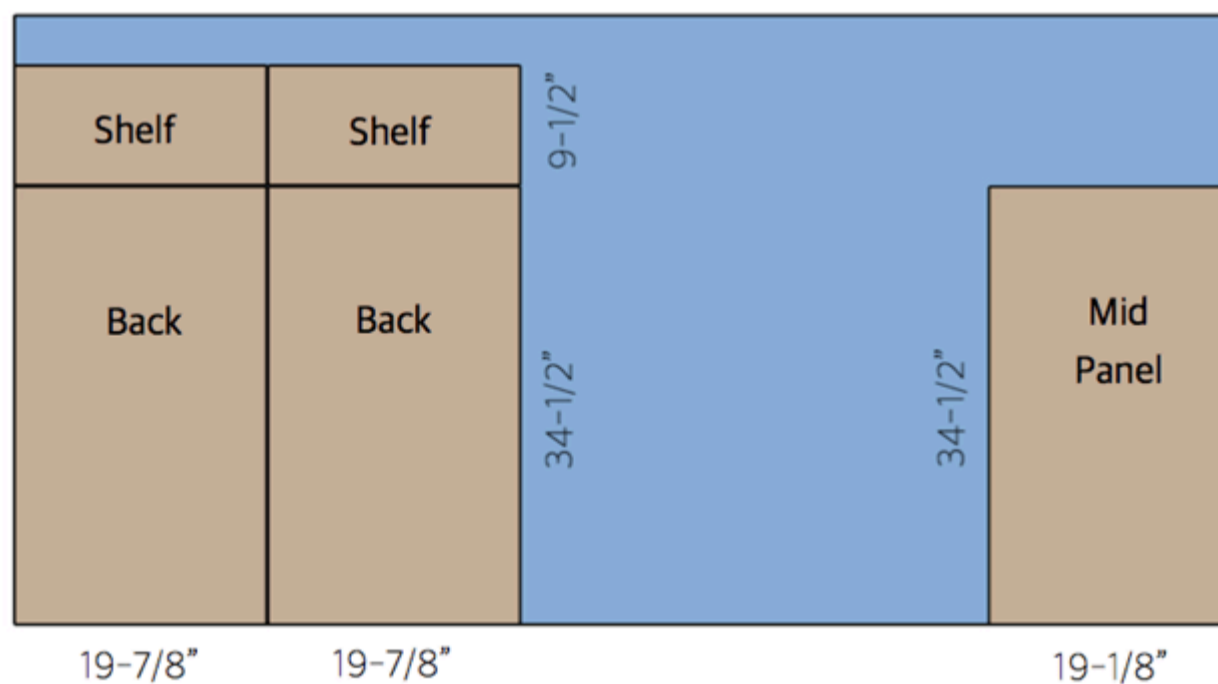
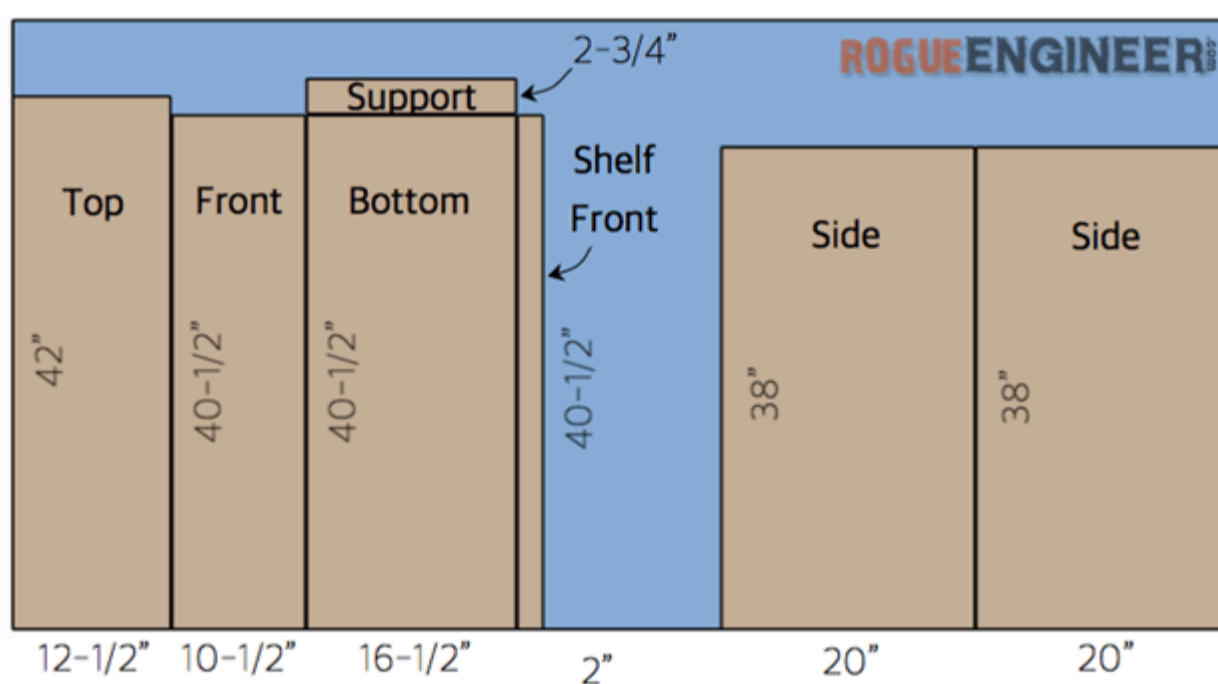
**100** 1-1/4" Pocket Screws

**100** 1-1/4" Brad Nails

# Cut List & Parts

- 2 Sides, 3/4" X 20" X 38"
- 1 Mid Panel, 3/4" X 19-1/8" X 34-1/2"
- 1 Top, 3/4" X 12-1/2" X 42"
- 1 Front, 3/4" X 10-1/2" X 40-1/2"
- 1 Bottom, 3/4" X 16-1/2" X 40-1/2"
- 1 Support, 3/4" X 2-3/4" X 16-1/2"
- 2 Shelf, 3/4" X 9-1/2" X 19-7/8"
- 1 Shelf Front, 3/4" X 2" X 40-1/2"
- 2 Back, 3/4" X 19-7/8" X 34-1/2"

3/4" x 48" x 96" (Qty 2)



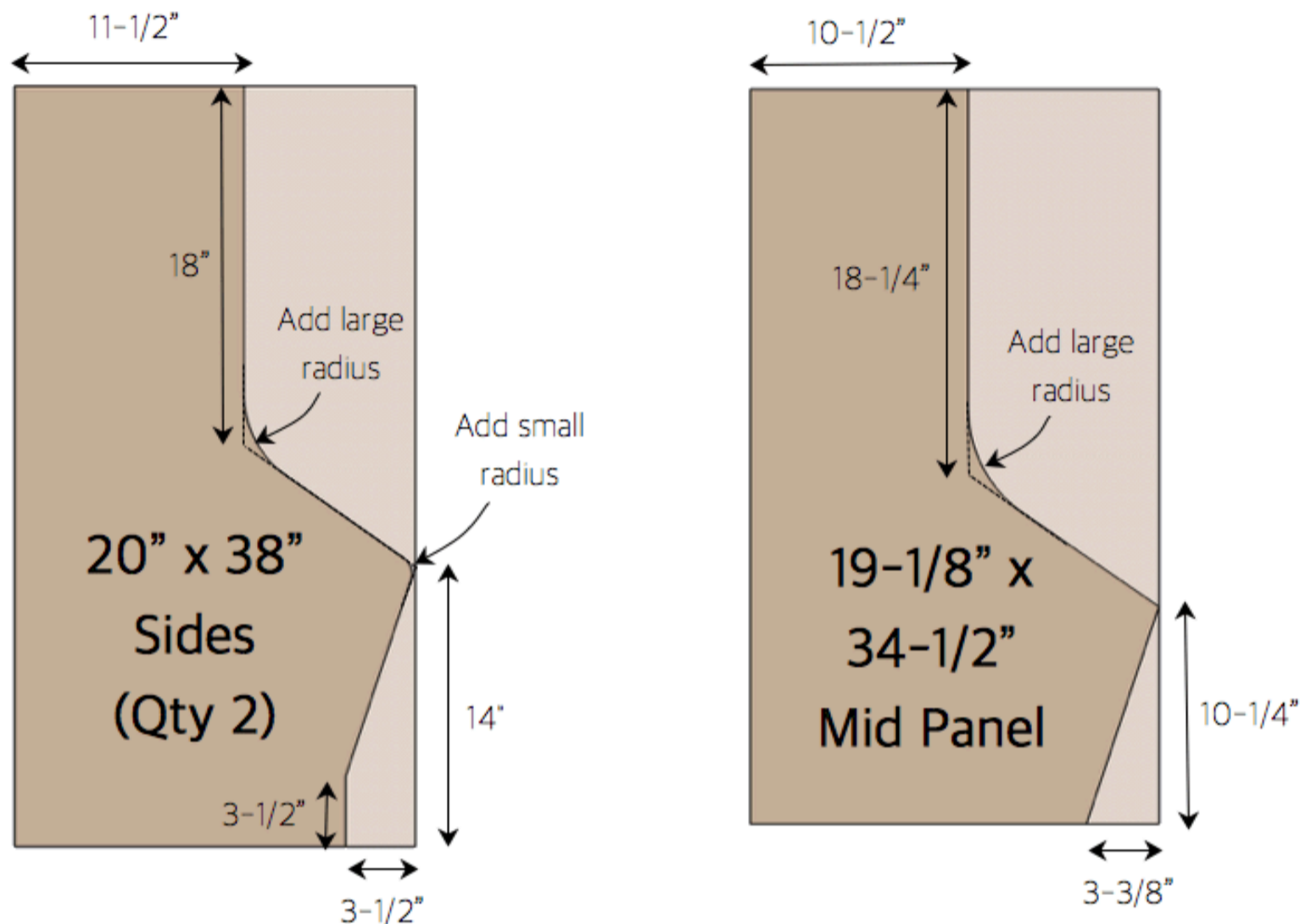
# Directions

1

## Cut Sides and Mid Panel

Use the diagrams shown to draw two sides and one middle panel. Then cut out using a circular saw and jig saw.

# Step 1: Cut Sides and Mid Panel

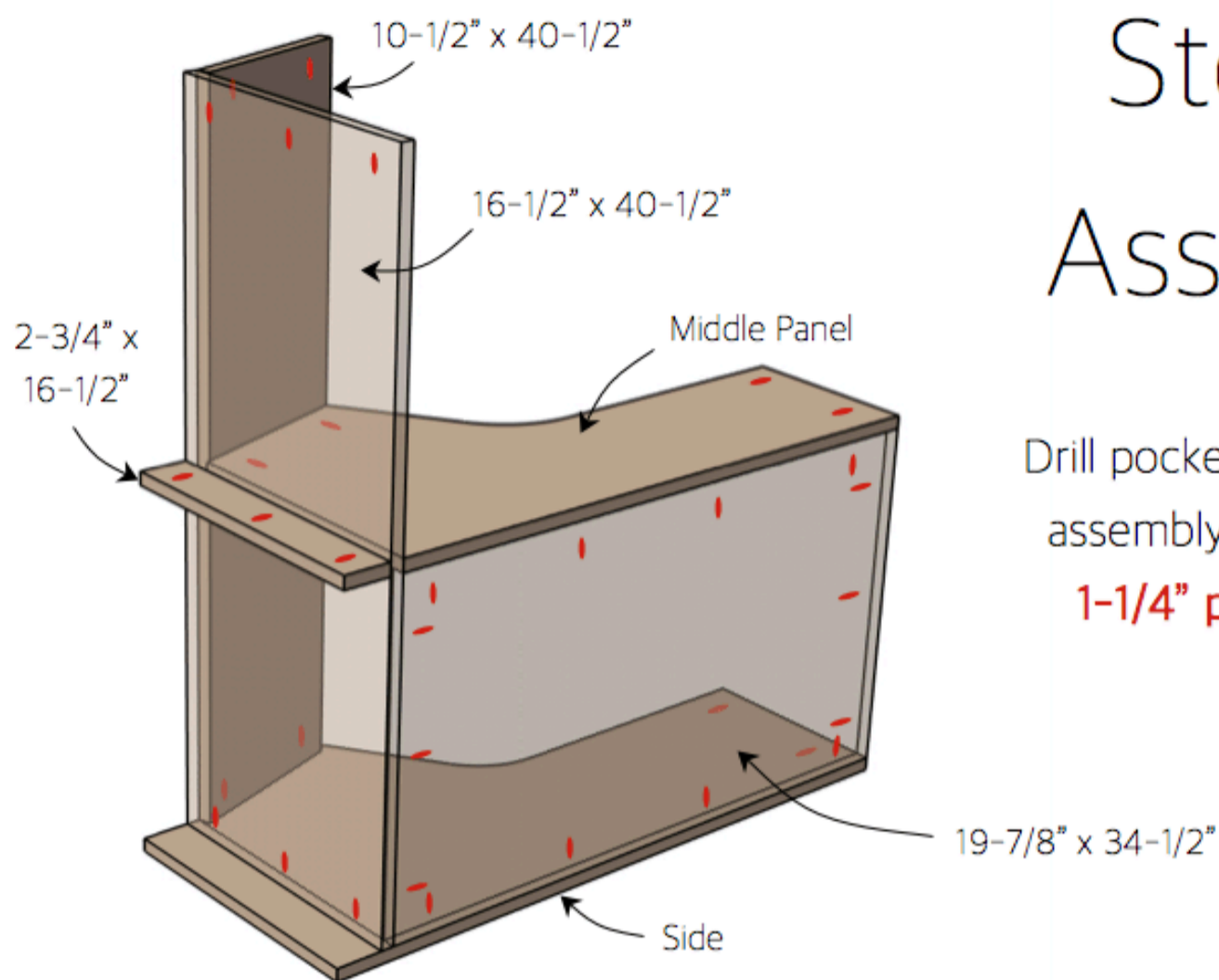


Cut sides and middle panel as shown using jig saw and/or circular saw.

## 2

### Assembly

Drill pocket holes and begin assembly as shown using 1-1/4" pocket screws.



## Step 2: Assembly

Drill pocket holes and begin assembly as shown using **1-1/4" pocket screws.**



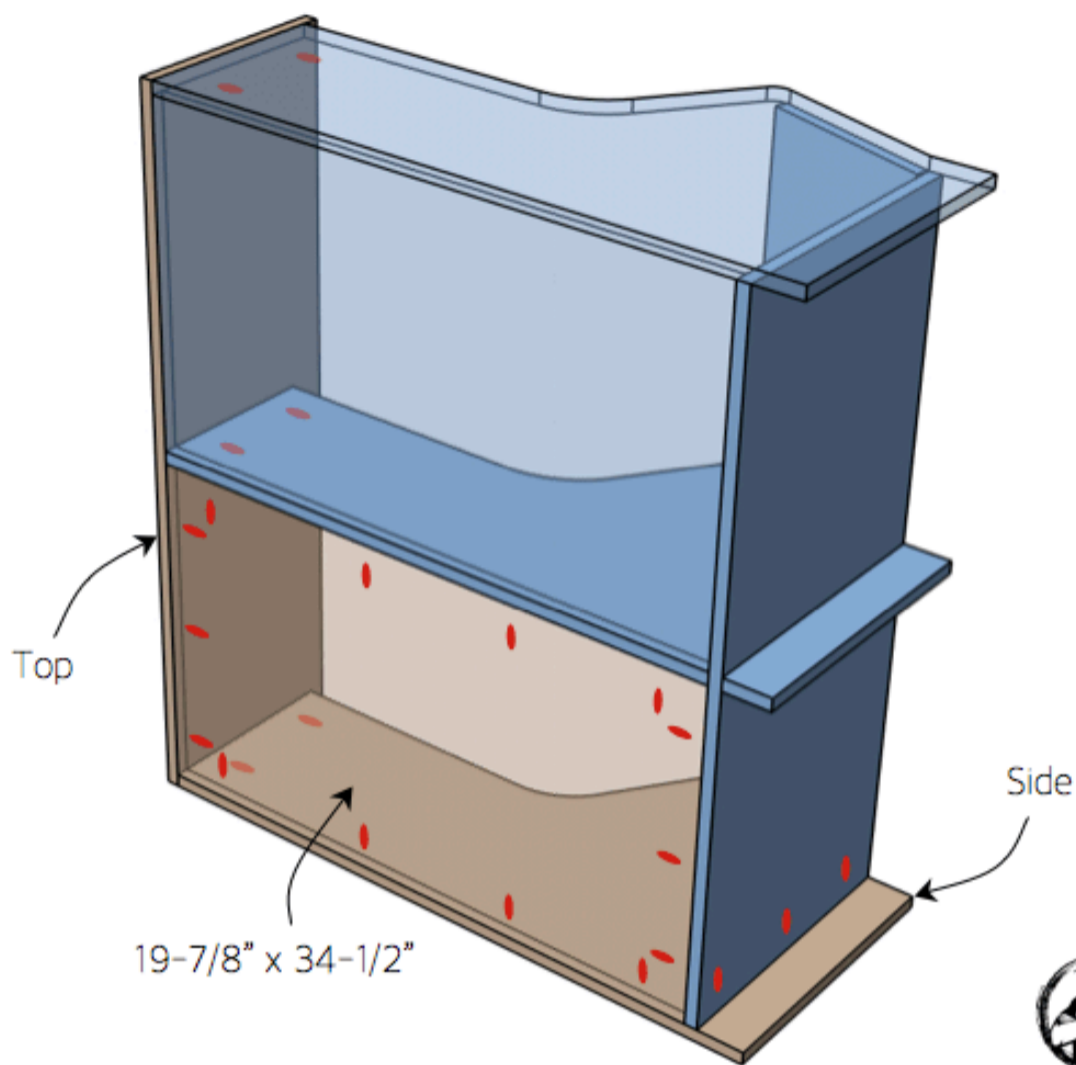
### 3

#### Assembly

Drill pocket holes and continue assembly as shown using 1-1/4" pocket screws.

## Step 3: Assembly

Drill pocket holes and  
continue assembly  
as shown using  
**1-1/4" pocket screws.**

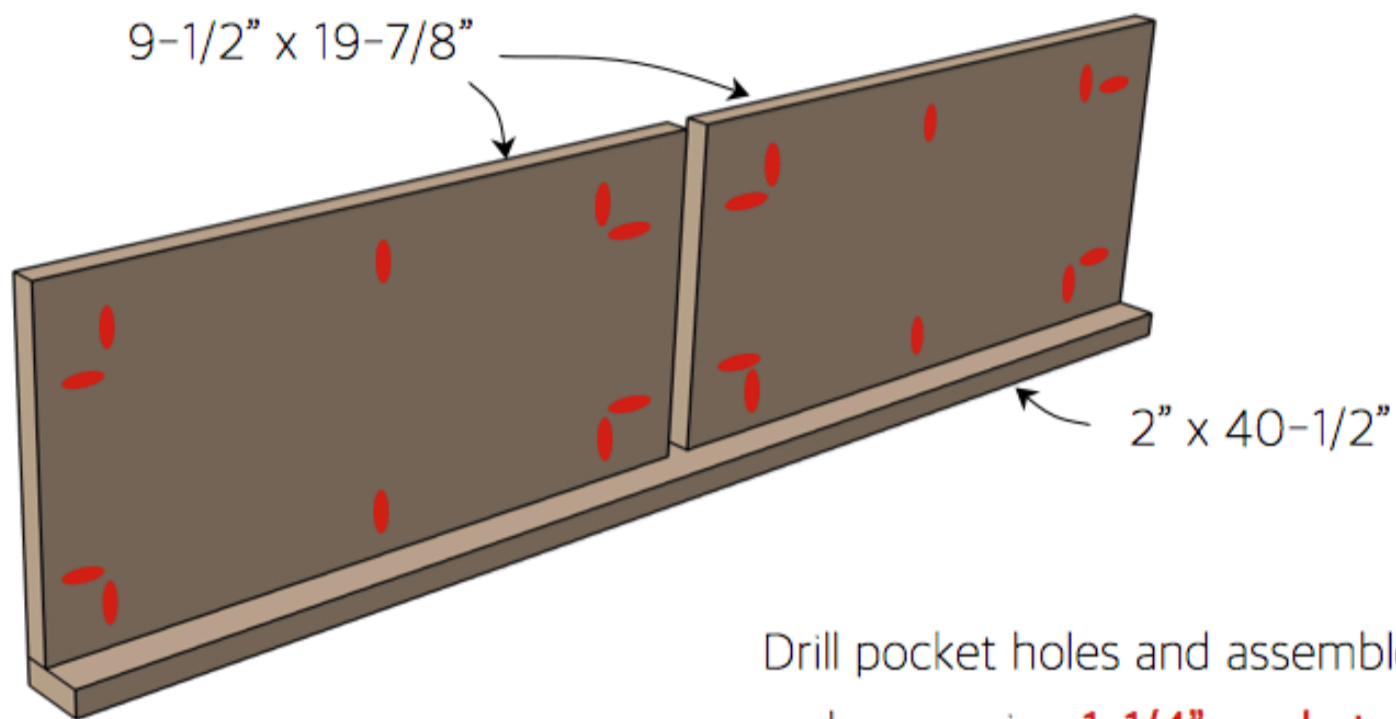


4

### Assemble Shelf

Drill pocket holes and assemble shelf as shown using 1-1/4" pocket screws.

## Step 4: Assemble Shelf



Drill pocket holes and assemble shelf as shown using **1-1/4" pocket screws**.



**5****Install Shelf and Trim**

Install shelf as shown using 1-1/4" pocket screws.

Cut base board trim and decorative moulding to length and install using 1-1/4" brad nails.

For more plans like this be sure to visit [RogueEngineer.com](http://RogueEngineer.com)

# Step 5: Install Shelf & Trim

Install shelf as shown using **1-1/4" pocket screws**.  
Cut base board trim and decorative moulding to length and install using **1-1/4" brad nails**.

