

Bathroom Shelf

By **Jen Woodhouse**

Difficulty

Easy

Featuring two deep cubbies and three hooks for hanging, this pretty storage shelf is perfect for your bathroom. Store hand towels, toilet paper, and other bath accessories in the cubbies or hide them away in wicker baskets. The faucet shaped hooks add a whimsical touch to the whole project.



Tools

Kreg Tools



[Kreg® Pocket-Hole Jig 720](#)

Other Tools

Circular Saw (cordless)

Jigsaw

Square

Tape Measure

Drill (cordless)

Sander

Materials

Wood Products

2 Board , 1x12 , 72"

1 Board , 1x6 , 24"

1 Board , 1x2 , 24"

Hardware & Supplies

1 1-1/4" Pocket Hole Screws

3 Robe Hooks

1 1-1/4" Wood Screws

Cut List & Parts

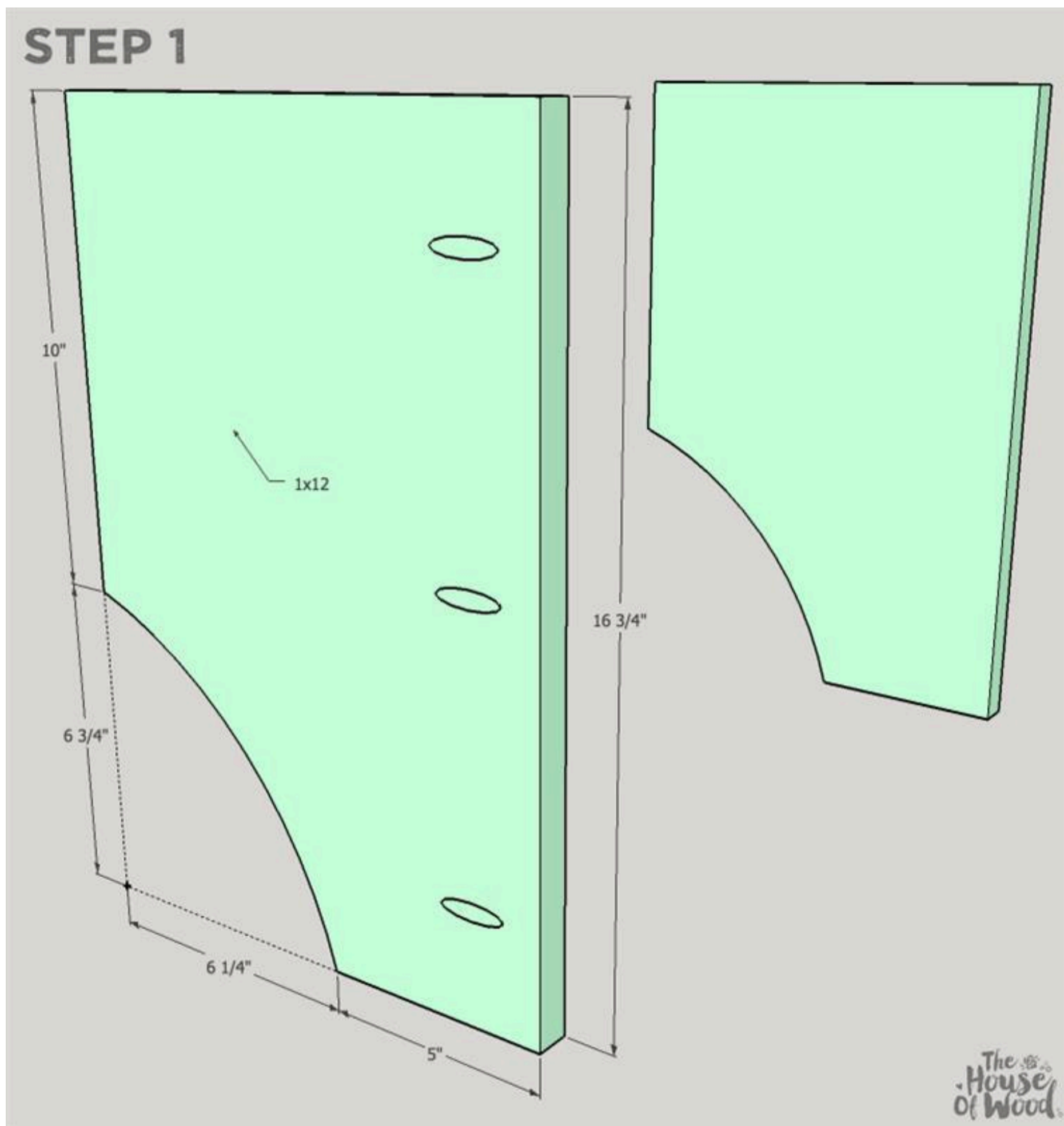
- 2 Sides , 3/4" X 11-1/4" X 16-3/4"
- 1 Back , 3/4" X 5-1/2" X 21-1/2"
- 1 Back , 3/4" X 11-1/4" X 21-1/2"
- 2 Shelf And Top , 3/4" X 11-1/4" X 20"
- 1 Divider , 3/4" X 11-1/4" X 8-1/4"
- 1 Top , 3/4" X 11-1/4" X 22-1/2"
- 1 Top Trim , 3/4" X 1-1/2" X 22-1/2"

Directions

1

Cut the Sides

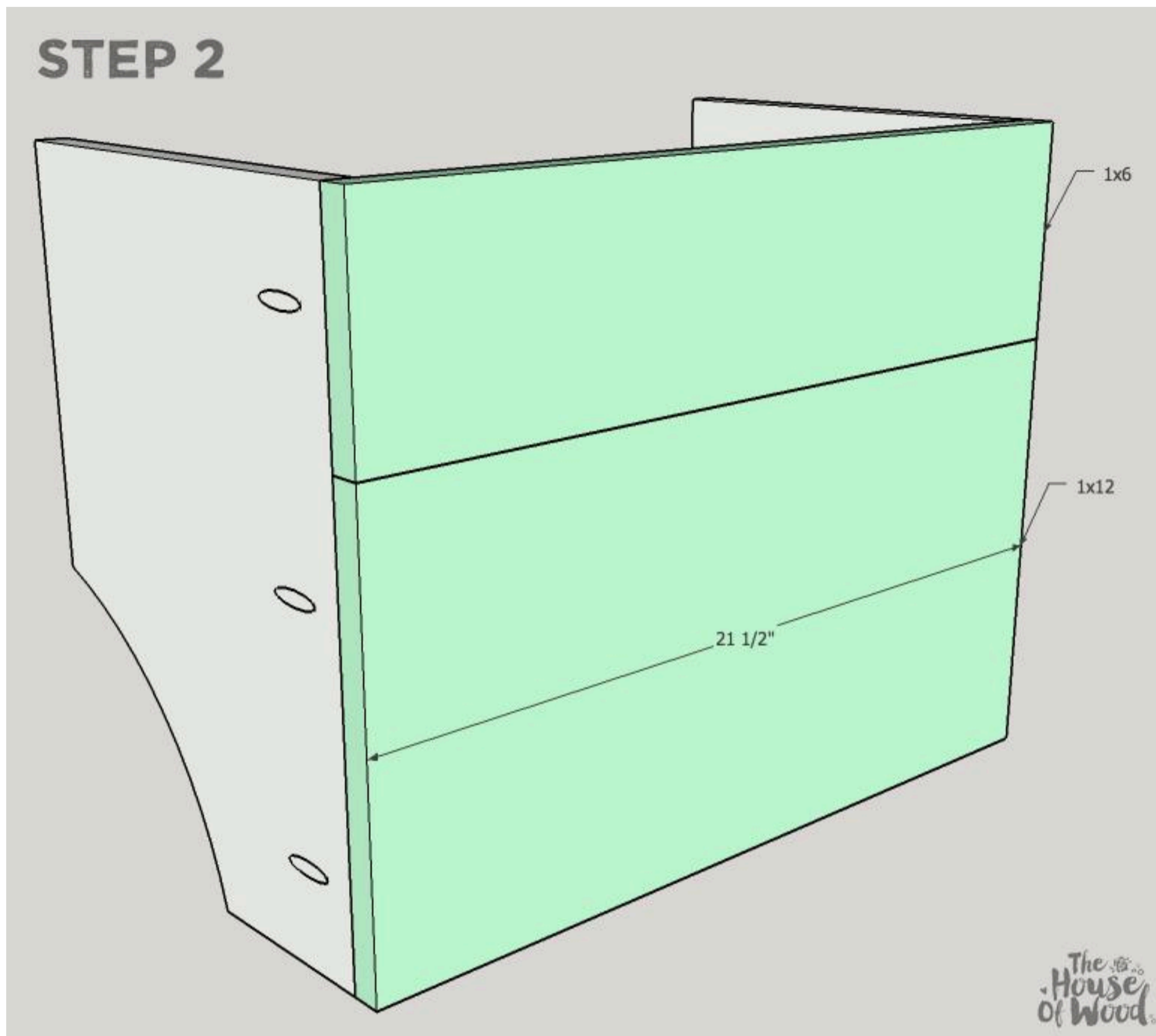
Using a jigsaw, cut the two sides as shown and drill $\frac{3}{4}$ " posterior-facing pocket holes.



2

Attach the Back

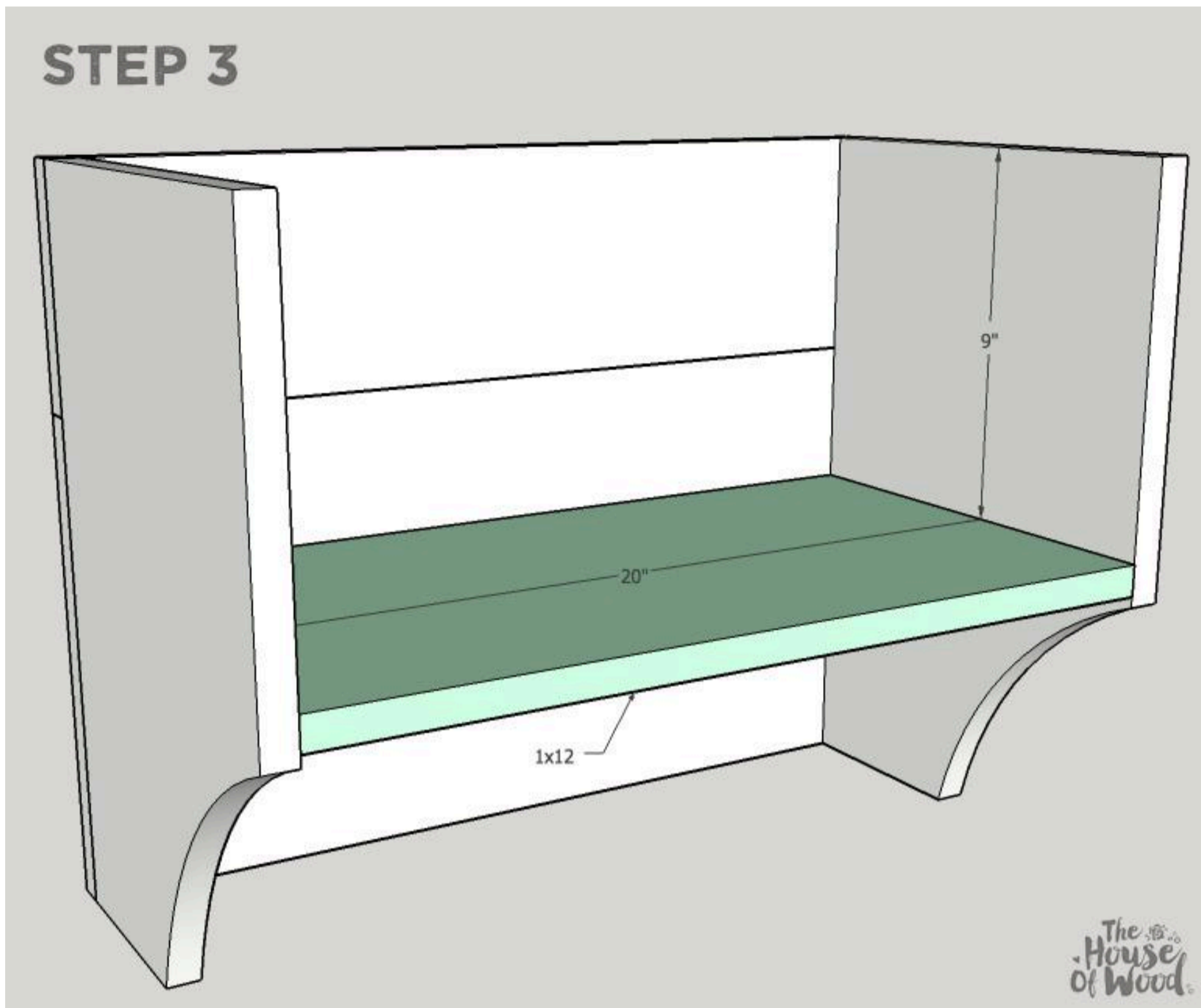
Attach the back to the sides with 1-1/4" pocket hole screws. You may opt to drill 3/4" pocket holes into the 1x6 and 1x12 back boards and join them together with 1-1/4" pocket hole screws before attaching the sides.



3

Attach the Bottom

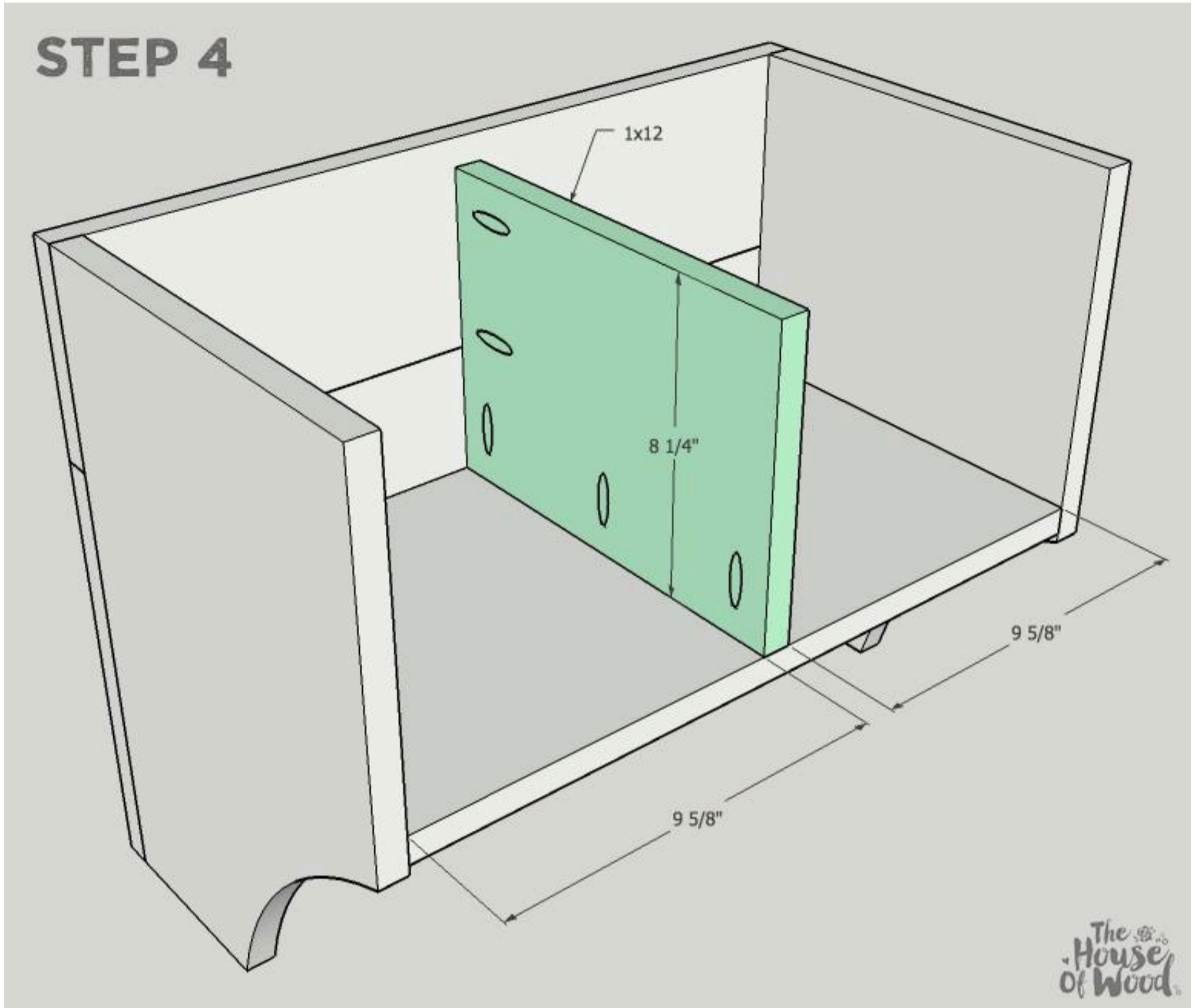
Drill 3/4" pocket holes into the bottom board and attach it to the carcass with 1-1/4" pocket hole screws.



4

Attach the Divider

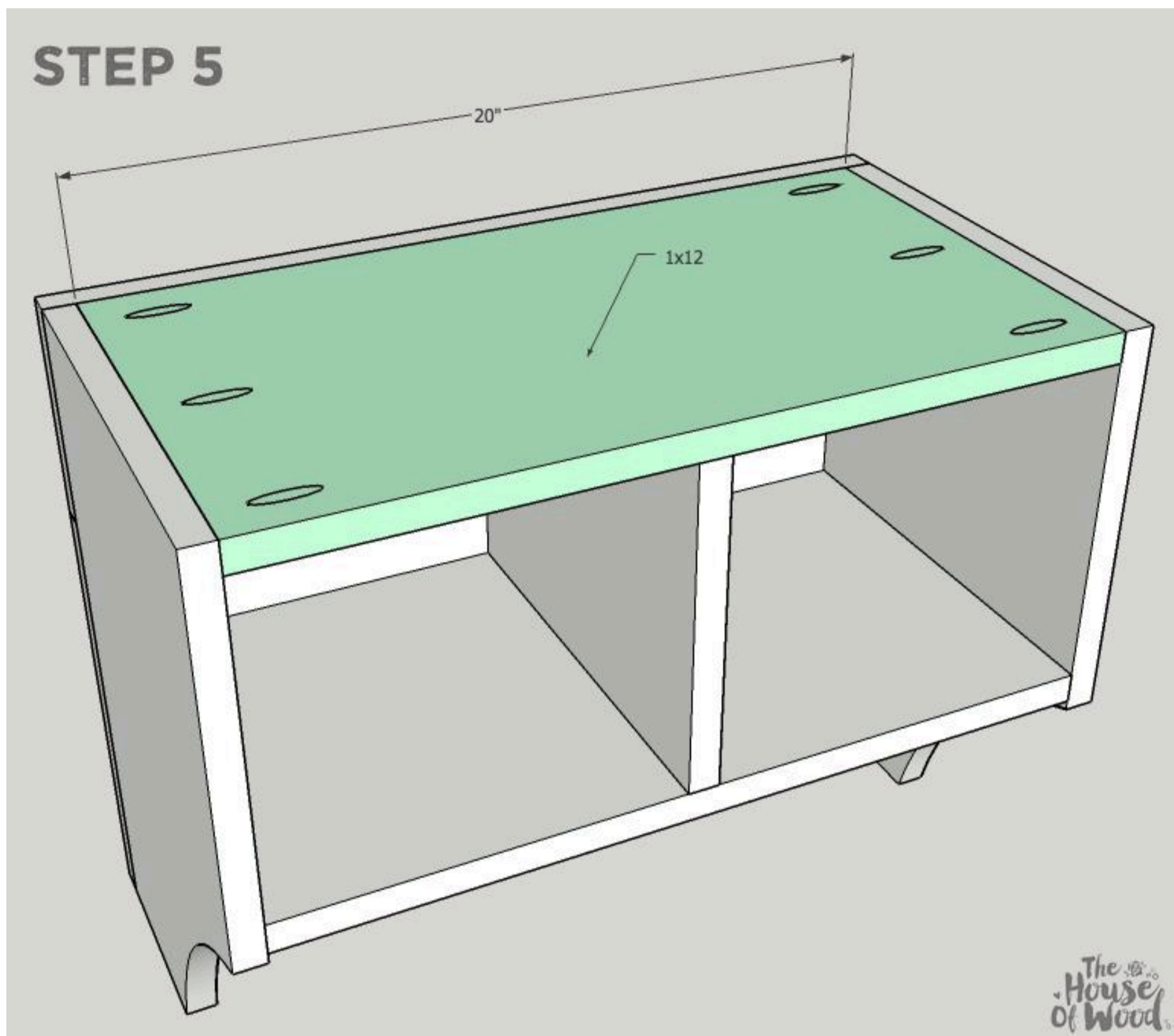
Drill 3/4" pocket holes into the divider and attach it to the shelf with 1-1/4" pocket hole screws.



5

Attach the Top

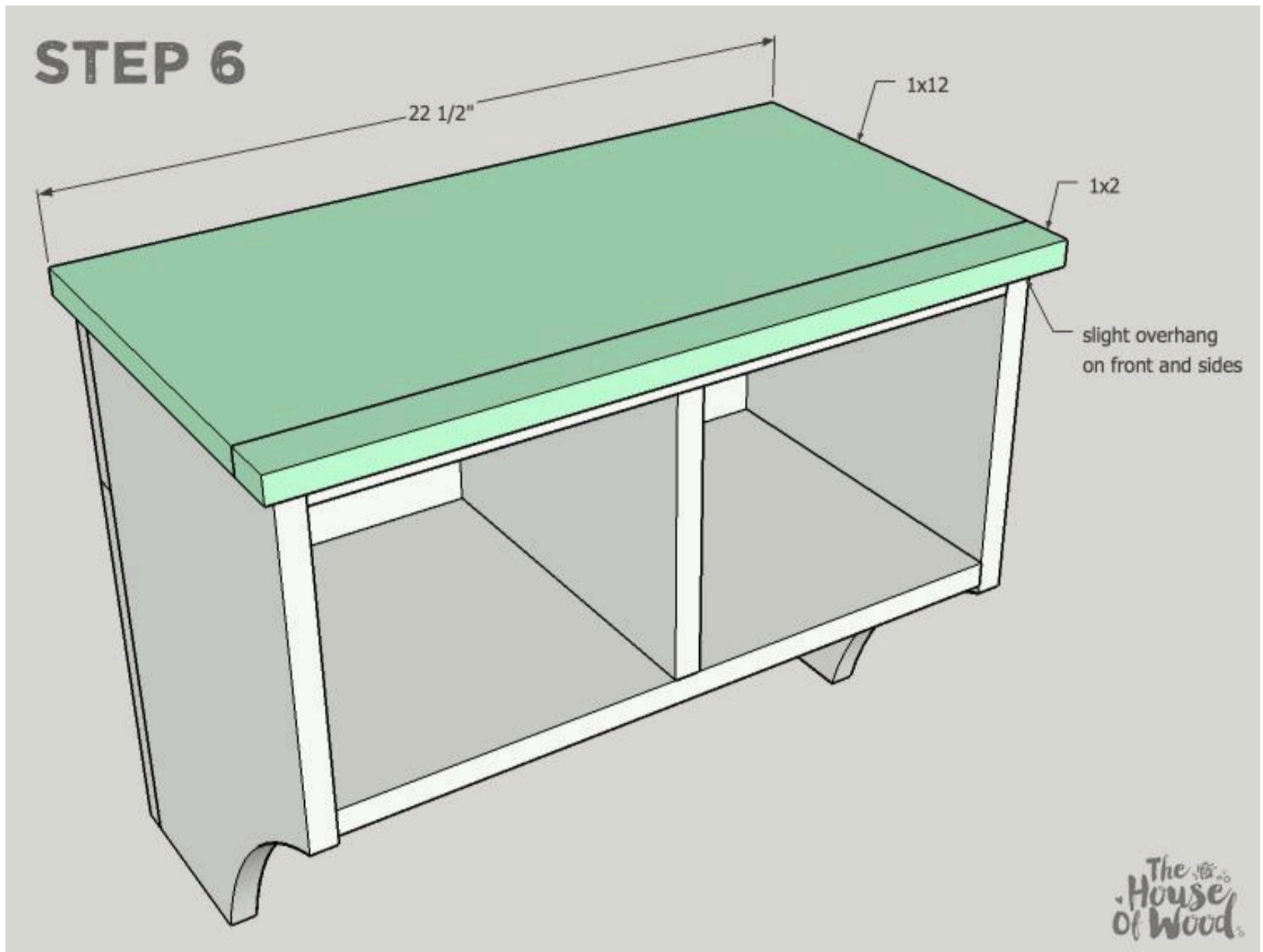
Drill 3/4" pocket holes into the top and attach it to the shelf with 1-1/4" pocket hole screws.



6

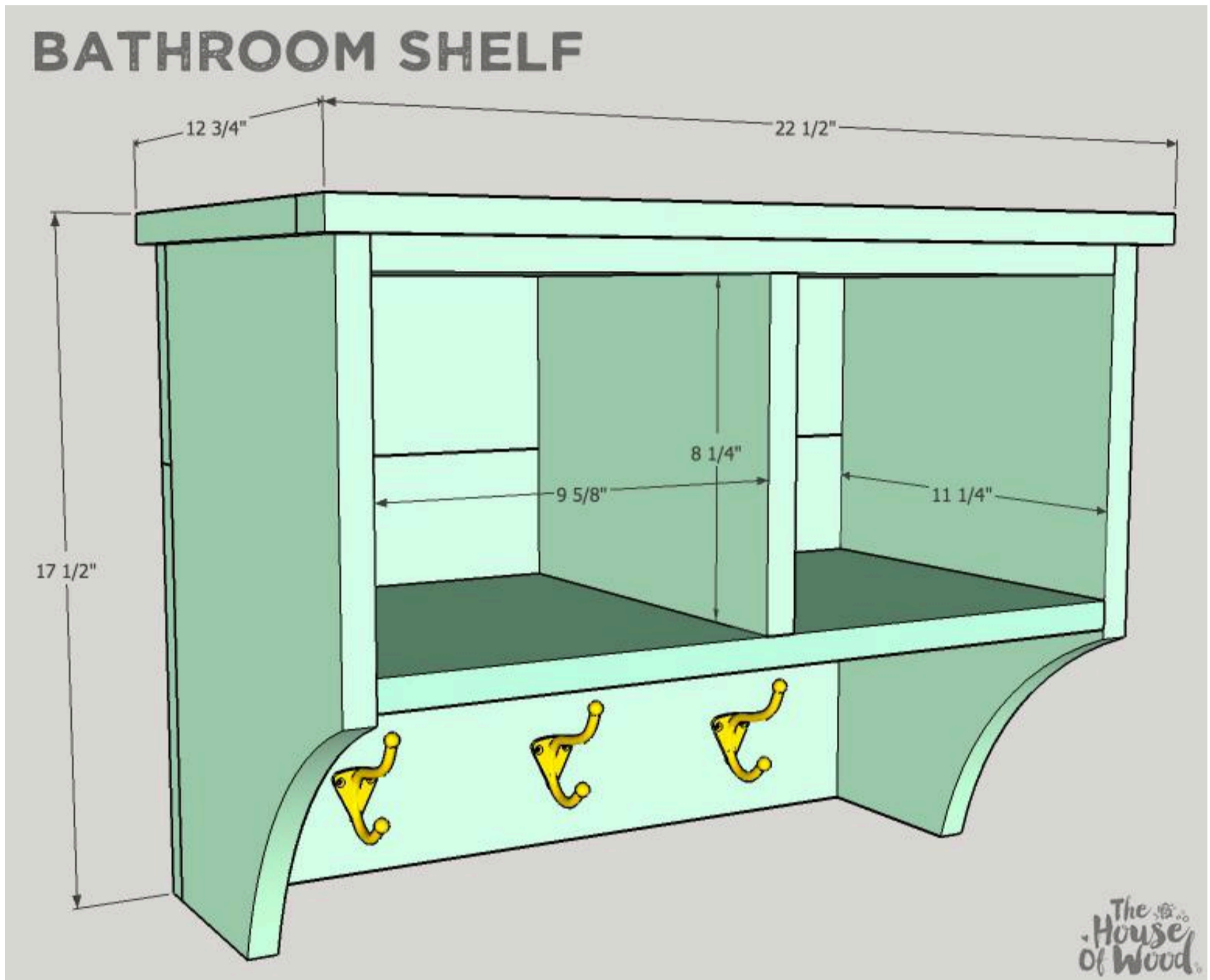
Construct and attach the top

Drill 3/4" pocket holes into the 1x12 board and attach the 1x2 board with 1-1/4" pocket hole screws. Pre-drill and countersink pilot holes into the top and attach it to the shelf with 1-1/4" wood screws.



7**Attach Robe Hooks**

Attach robe hooks as shown. Fill pocket holes with wood filler or pocket hole plugs, sand, and finish as desired. To hang the shelf on the wall, drive 2-1/2" wood screws from the inside the shelf into the wall studs.



8

Visit JenWoodhouse.com

For more free building plans and DIY project ideas, visit www.JenWoodhouse.com

