

Barn Door Bookcase

By **The Inspired Workshop**

Difficulty

Moderate

When I saw a similar wardrobe at Arhaus, I knew instantly I needed it in my life!! Lol!! Well, except for the price tag, and the fact that I had no use for a wardrobe, but I knew I could certainly use it elsewhere in my home! So the barndoor bookcase was born!!



Tools

Kreg Tools



Portable Crosscut



Kreg® Pocket-Hole Jig 720



Shelf Pin Jig with 1/4" Bit

Other Tools

Circular Saw (cordless)

Jigsaw

Miter Saw

Table Saw

Tape Measure

Clamps

Nail Gun

Sander

Materials

Wood Products

- 4 Board , 4x4 , 96"
- 2 Board , 2x6 , 96"
- 2 Board , 2x4 , 96"
- 1 Board , 2x2 , 96"
- 2 Board , 1x6 , 96"
- 3 Board , 1x4 , 96"
- 2 Board , 1x4 , 120"
- 2 Board , 1x3 , 96"
- 1 Board , 1x2 , 96"
- 1 Board , 1x1 Molding , 96"
- 1 Plywood , 3/4" Thick , Full Sheet
- 1 Plywood , 3/4" Thick , Quarter Sheet
- 1 Plywood , 1/2" Thick , Half Sheet
- 1 Plywood , 1/4" Thick , Full Sheet

Hardware & Supplies

- 2 1/8" X 1" X 48" Steel Bar Stock
- 1 1/8" X 1 1/4" X 72" Steel Bar Stock
- 2 2 1/2" Pulley Wheels
- 4 Steel Spacers
- 4 3 1/2" Lag Bolts
- 1 1 1/4" Pocket Hole Screws
- 1 2 1/2" Pocket Hole Screws
- 1 1" Pocket Hole Screws
- 8 3/4" Lag Screws

Cut List & Parts

- 4 Legs , 3" X 3" X 68"
- 2 Front And Back, Top Rails , 1 1/2" X 5 1/2" X 42"
- 2 Front And Back, Middle Rails , 1 1/2" X 3 1/2" X 42"
- 2 Top, Side Rails , 1 1/2" X 5 1/2" X 12"
- 2 Bottom, Side Rails , 1 1/2" X 3 1/2" X 12"
- 2 Front And Back, Bottom Rails , 3/4" X 2 1/2" X 42"
- 2 Side Pieces , 3/4" X 12" X 39"
- 2 1 1/2" X 1 1/2" X 39" , Front And Back Middle Stiles
- 1 Bottom Shelf , 3/4" X 15" X 45"
- 1 Middle Divider , 3/4" X 15" X 44 1/2"
- 1 Top Plywood , 3/4" X 15 1/2" X 43"
- 2 Side Frame For Top Plywood , 3/4" X 3 1/2" X 19" Mitered 45 Degrees Off Square On One End
- 1 Top Front Plywood Frame , 3/4" X 3 1/2" X 50" Mitered 45 Degrees Off Square On Both Ends, Not Parallel
- 11 Bottom Shelf Planks , 3/4" X 3 1/2" X 18 1/8"
- 3 Shelf Face Frame , 3/4" X 1 1/2" X 20 1/4"
- 2 Left Side Shelves , 3/4" X 17 X 22 1/2" (With Corner Cutouts)
- 6 Drawer Box Sides , 1/2" X 4 1/2" X 16 1/4"
- 6 Drawer Box Fronts And Backs , 1/2" X 4 1/2" X 18 3/4"
- 3 Drawer Bottoms , 1/4" X 16 1/4" X 19 3/4"
- 3 Drawer Fronts , 3/4" X 5 1/2" X 20"
- 6 Drawer Slides , 3/4" X 1" X 16 1/4"
- 2 Left Drawer Slide Supports , 3/4" X 3 1/2" X 15"
- 2 Right Drawer Slide Supports , 3/4" X 3 1/2" X 12"
- 1 Right Shelf , 3/4" X 17" X 23 1/4" (With Cutouts)
- 4 Barndoor Boards , 3/4" X 3 1/2" X 20 1/2"
- 4 Barndoor Boards , 3/4" X 2 1/2" X 20 1/2"
- 3 Barndoor Boards , 3/4" X 5 1/2" X 20 1/2"

Directions

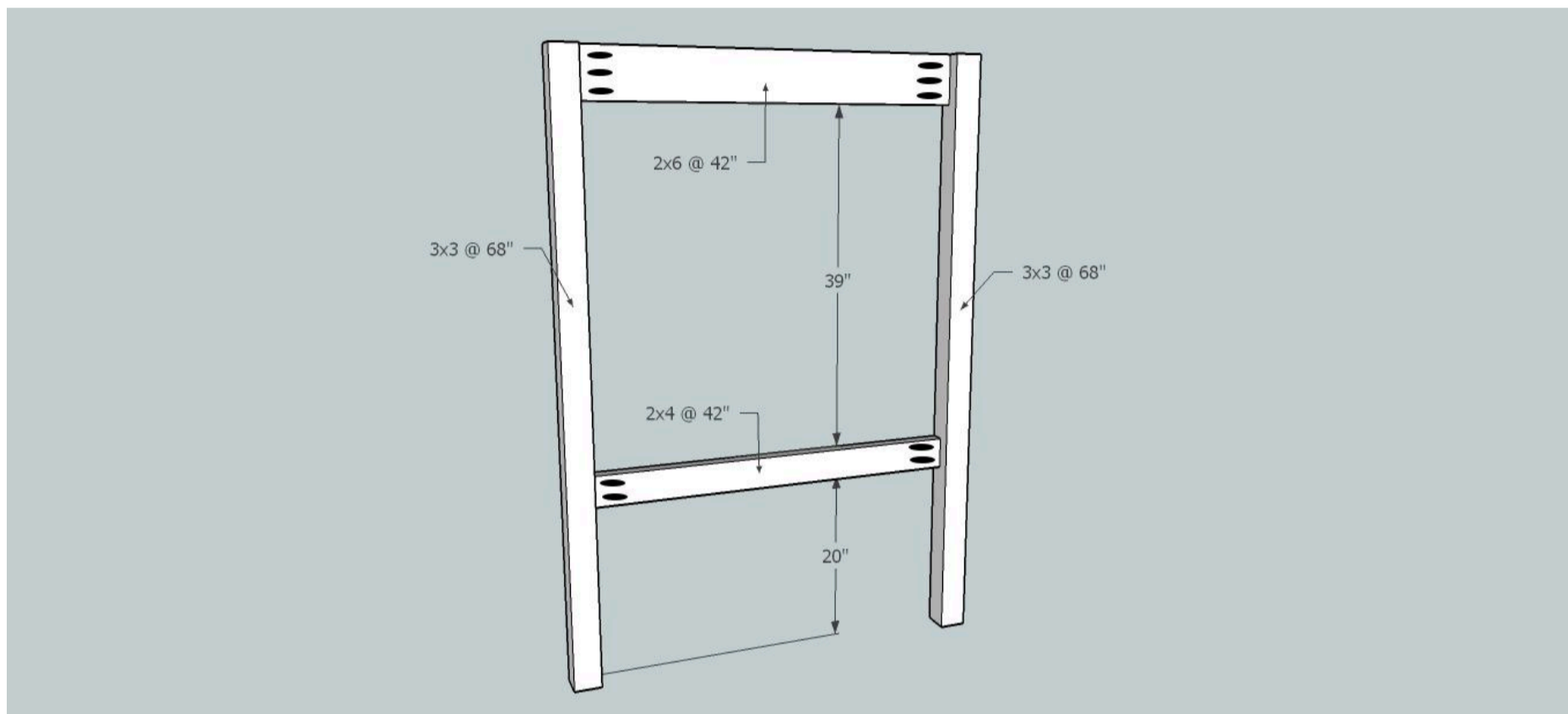
1

Step 1

Start out by building the front and back frames! Make two of the frames shown below!

Notice the wood list calls for 4x4's but the cut list shows 3x3...I ripped my 4x4's down to 3x3 just so they weren't as bulky...I think it would probably look just as good without doing this, but if you don't rip yours down, make sure and adjust all other boards and cuts to accommodate the extra 1/2" in each leg!

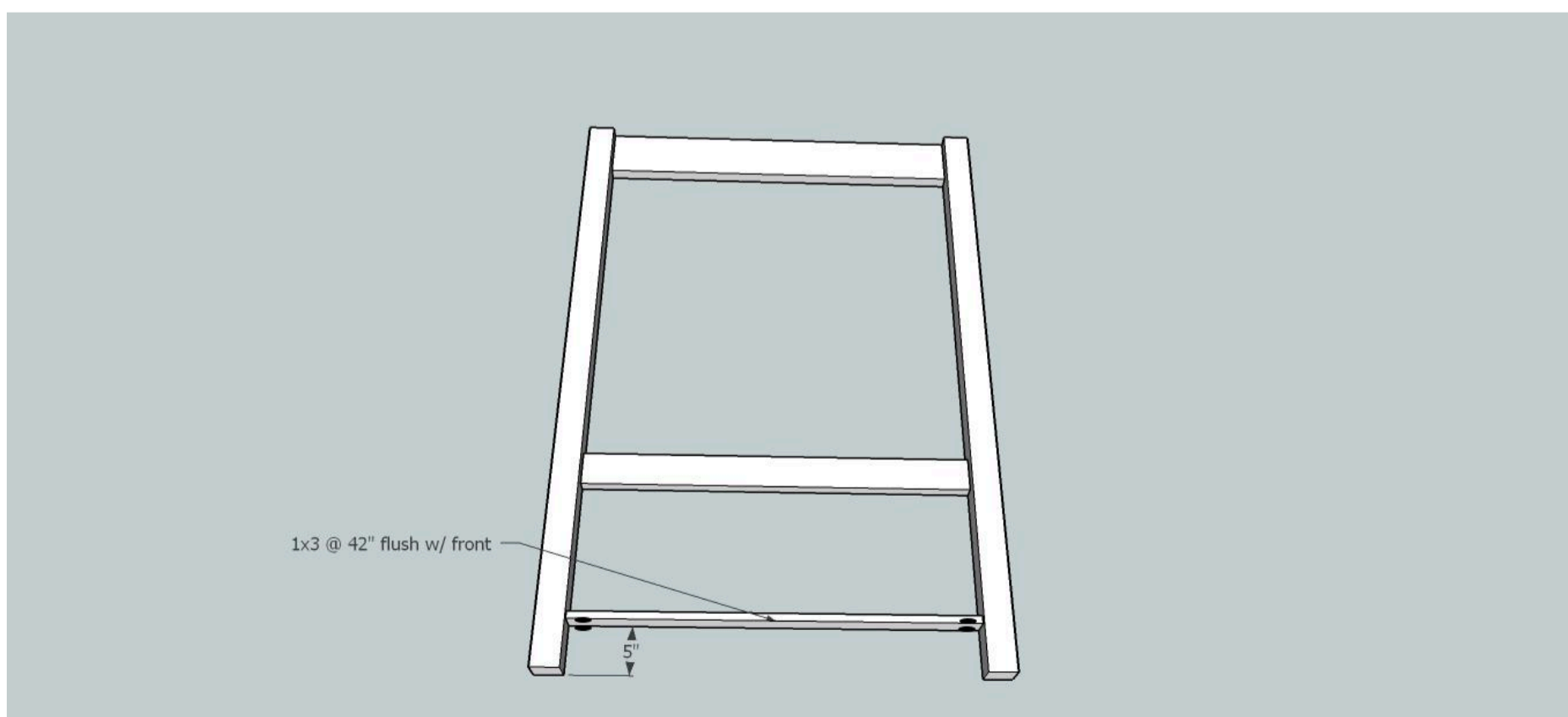
The front and back frames are pretty large, but nothing that some pocket holes drilled at 1 1/2" depth, and 2 1/2" pocket hole screws along with wood glue can't wrangle!! Lol!! *Note: Black ovals throughout the plan denote pocket hole location!



2

Step 2

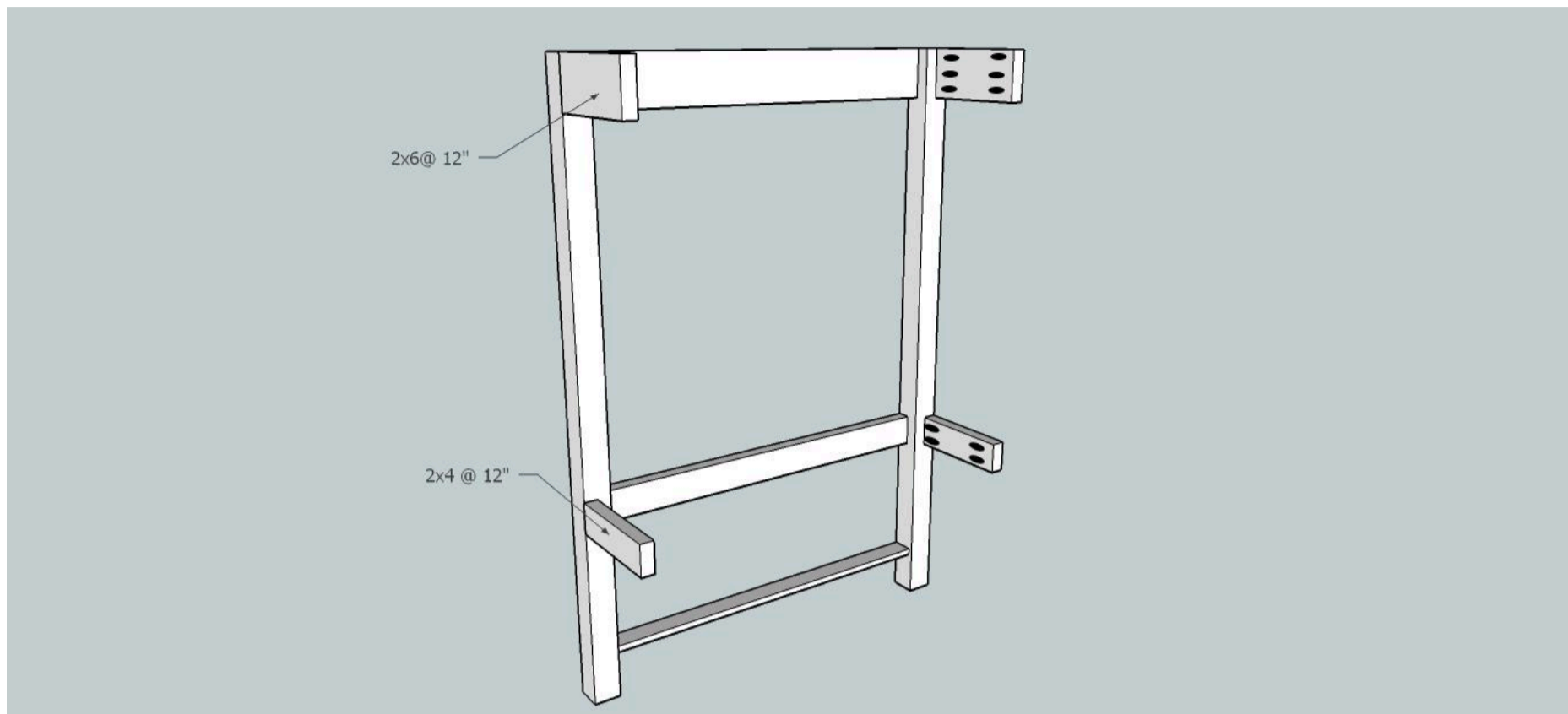
Add the bottom rail to both the front and back frames! They are 1x3s so they will need pocket holes drilled at a depth of 3/4" and you will attach them with 1 1/4" pocket hole screws! Don't forget the glue!



3

Step 3

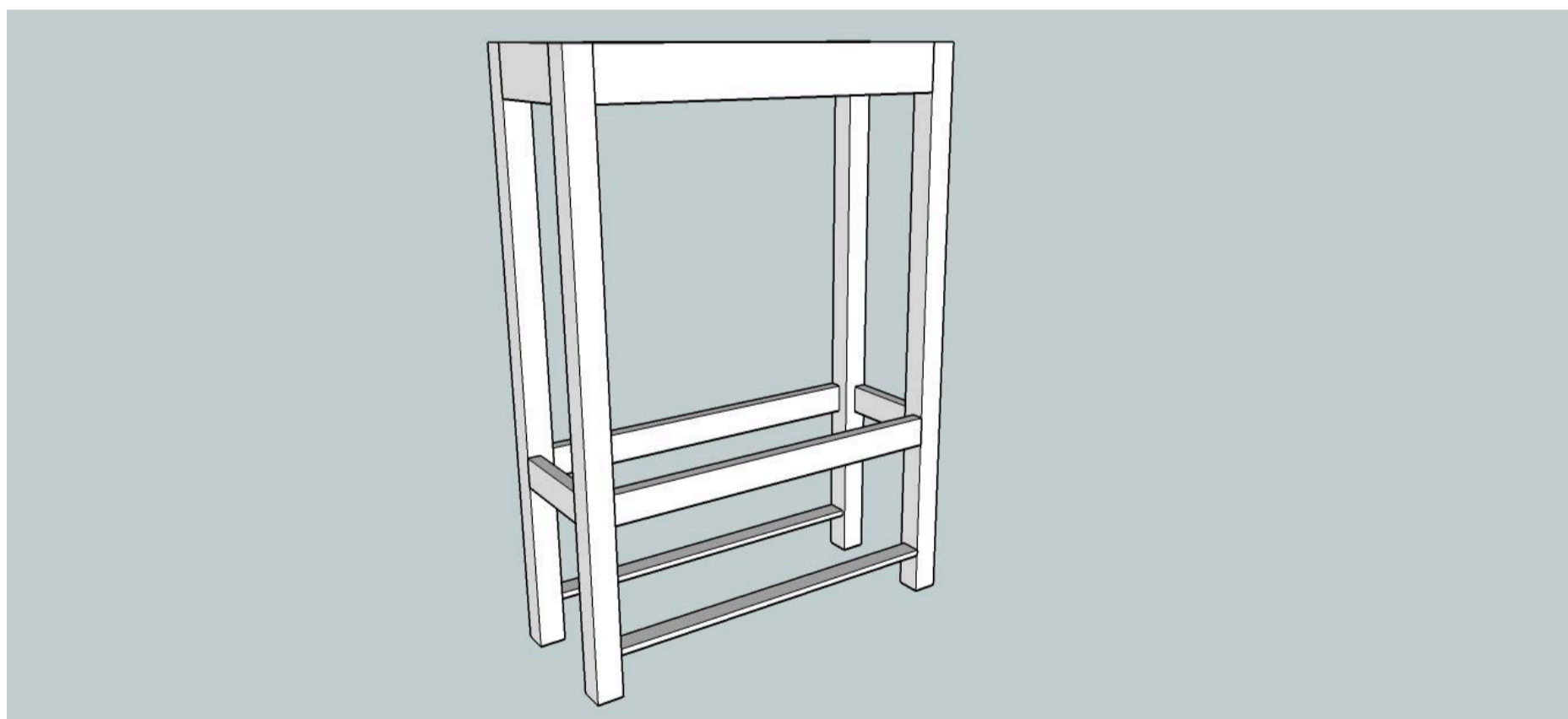
It's time to join our front and back frame! Start by attaching the top and bottom side rails to the front frame! You will be back drilling 1 1/2" pocket holes and using 2 1/2" screws!



4

Step 4

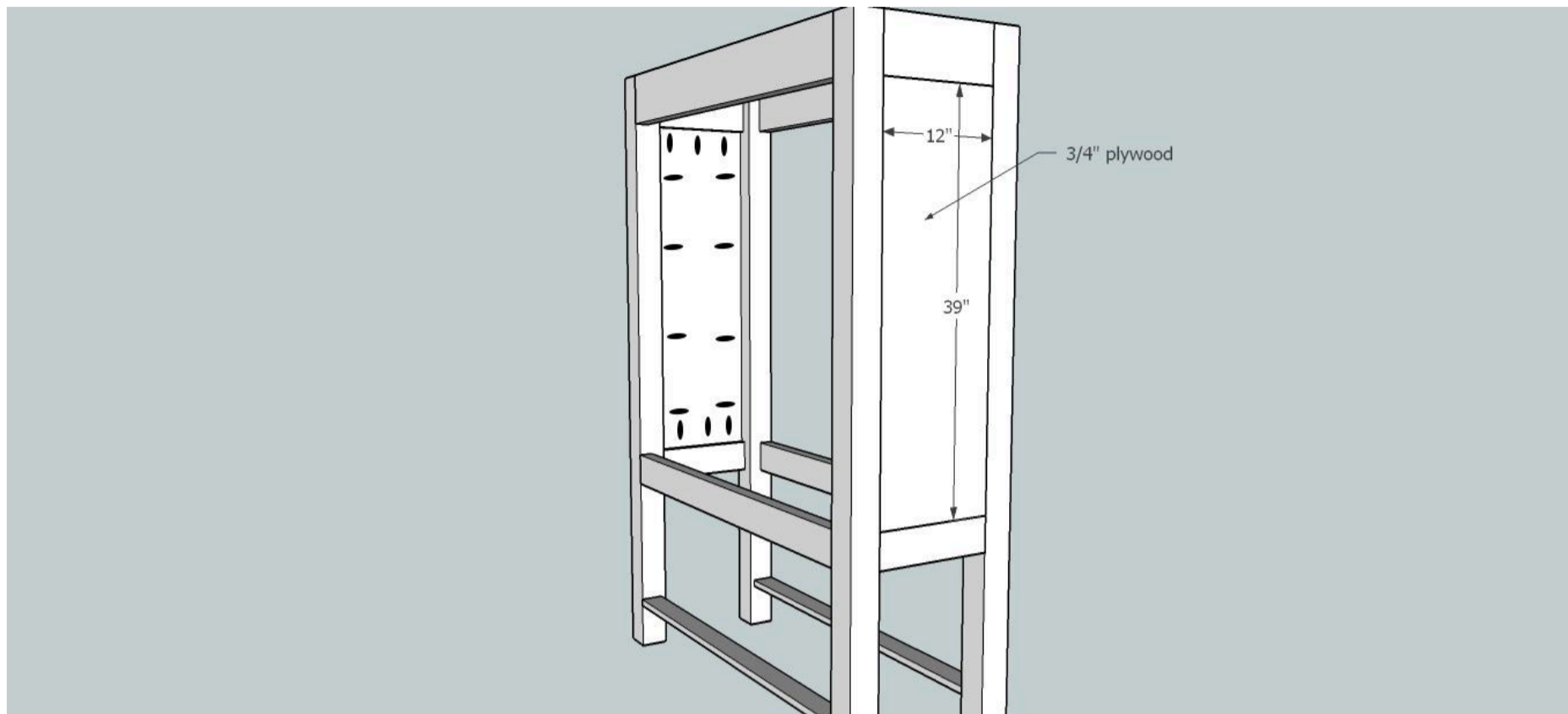
It's starting to take shape once you attach the back frame to the side rails!!



5

Step 5

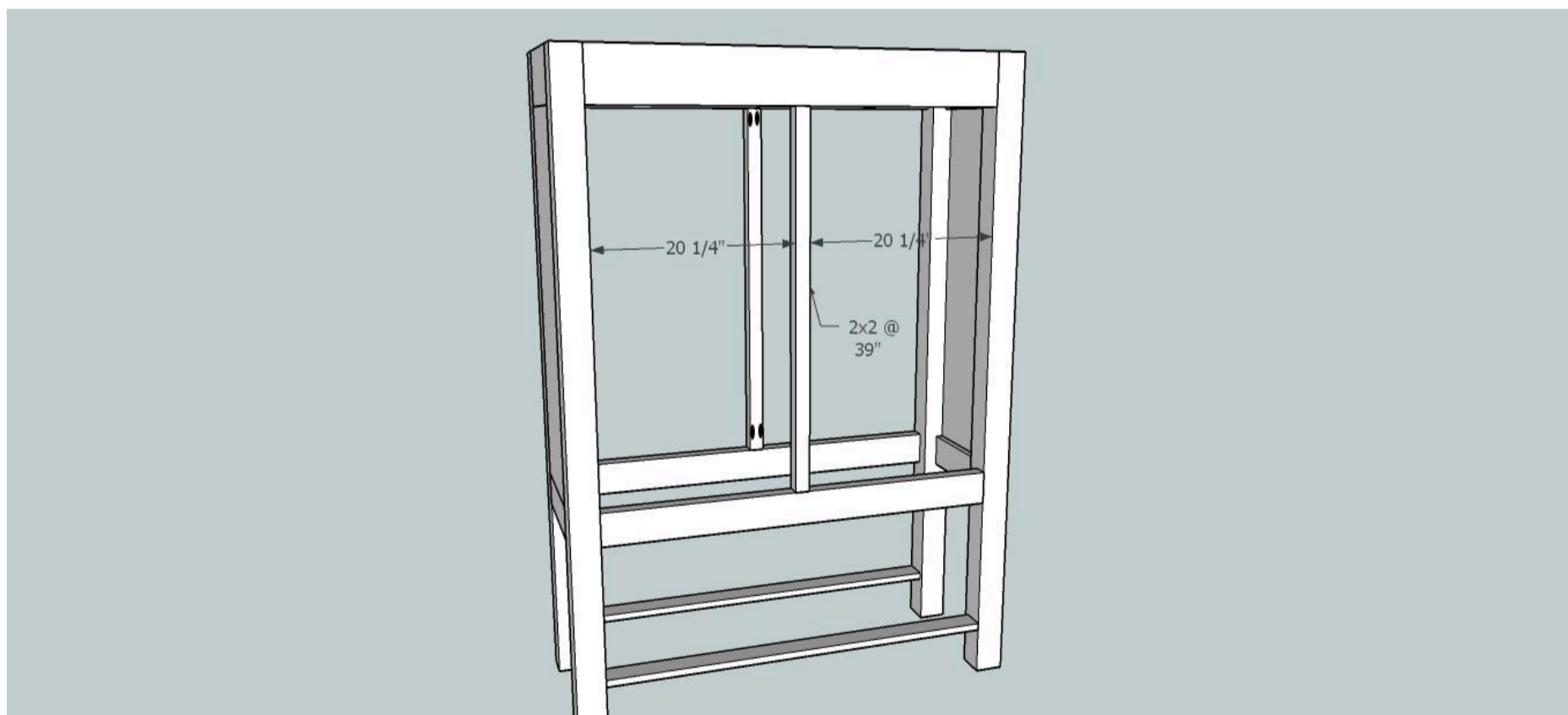
Next cut your two plywood side pieces and drill pocket holes at 3/4" and attach with 1 1/4" screws! And of course...it goes without saying...don't forget the glue!!



6

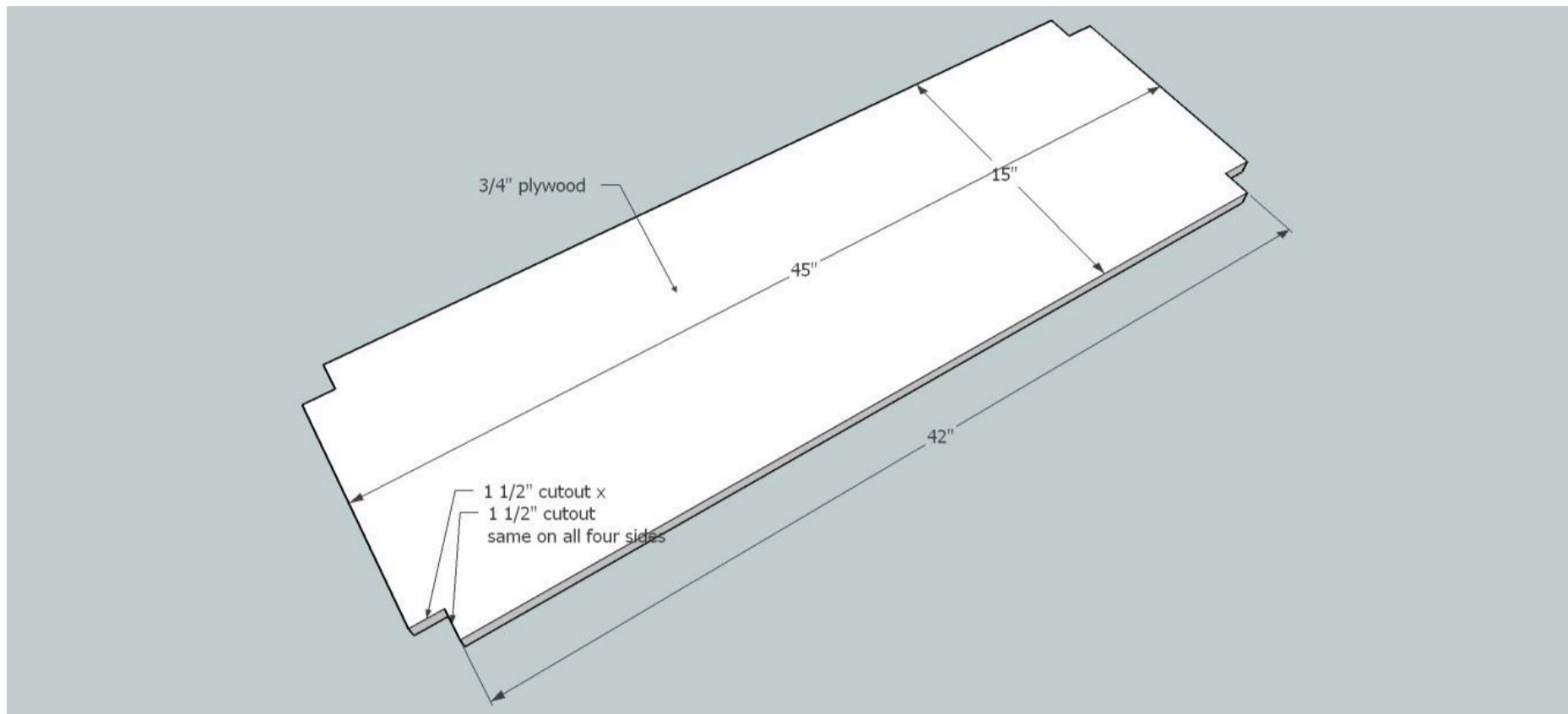
Step 6

Attach front and back, middle stiles! You will line them up directly in the center of the bookcase...then use 1 1/2" pocket holes and 2 1/2" screws!

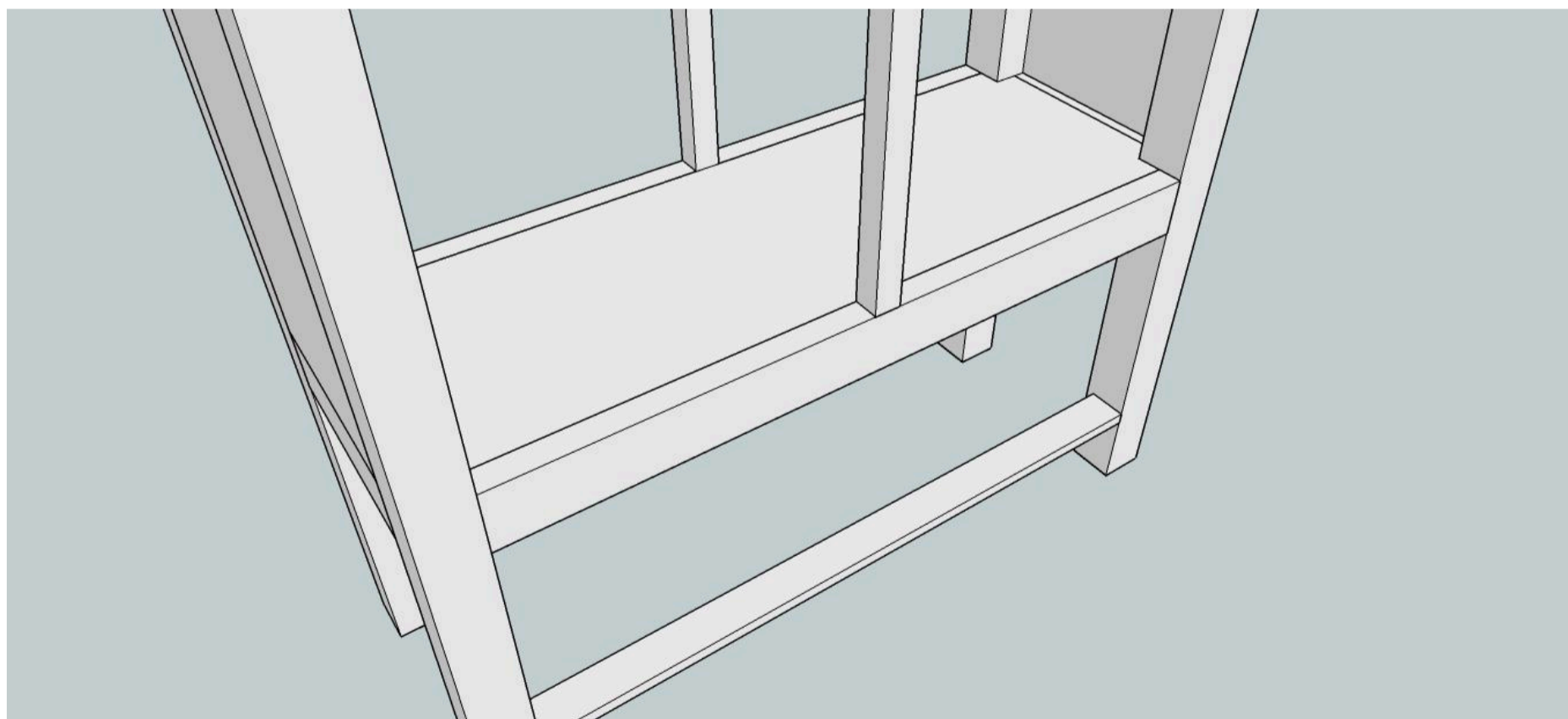


7**Step 7**

Alright, this is one of the not-so-fun parts of this build!! Lol!! I hate cutting precise corners out because I get so nervous...one wrong cut and the whole piece is wasted!! No pressure!! Ha!! Pocket holes are not shown in this picture because I didn't want to confuse anyone with adding them to the pic, but they will be drilled in the underside of this board and all around, all four edges! Again, it will be 3/4" holes drilled and 1 1/4" screws to attach!

**8****Step 8**

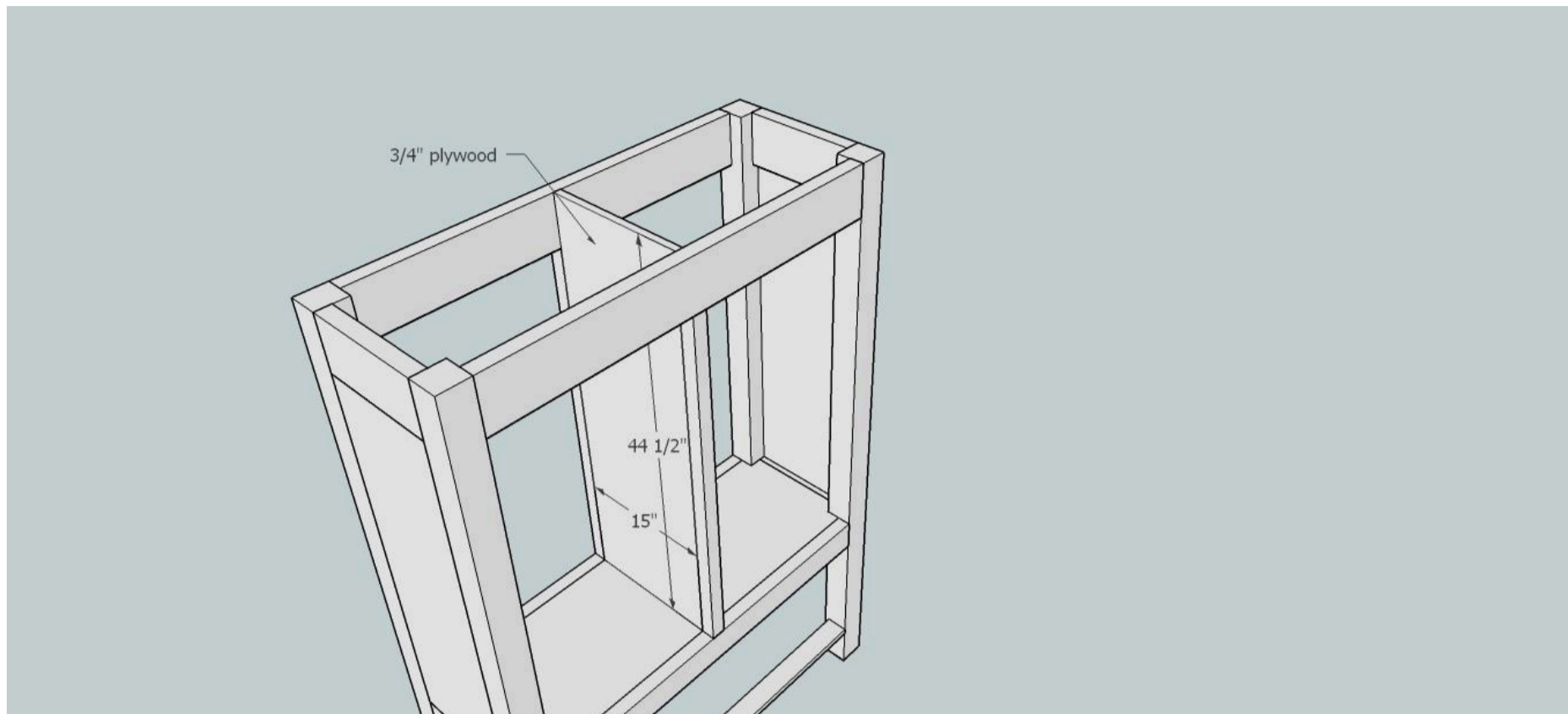
Here the board is in place!!



9

Step 9

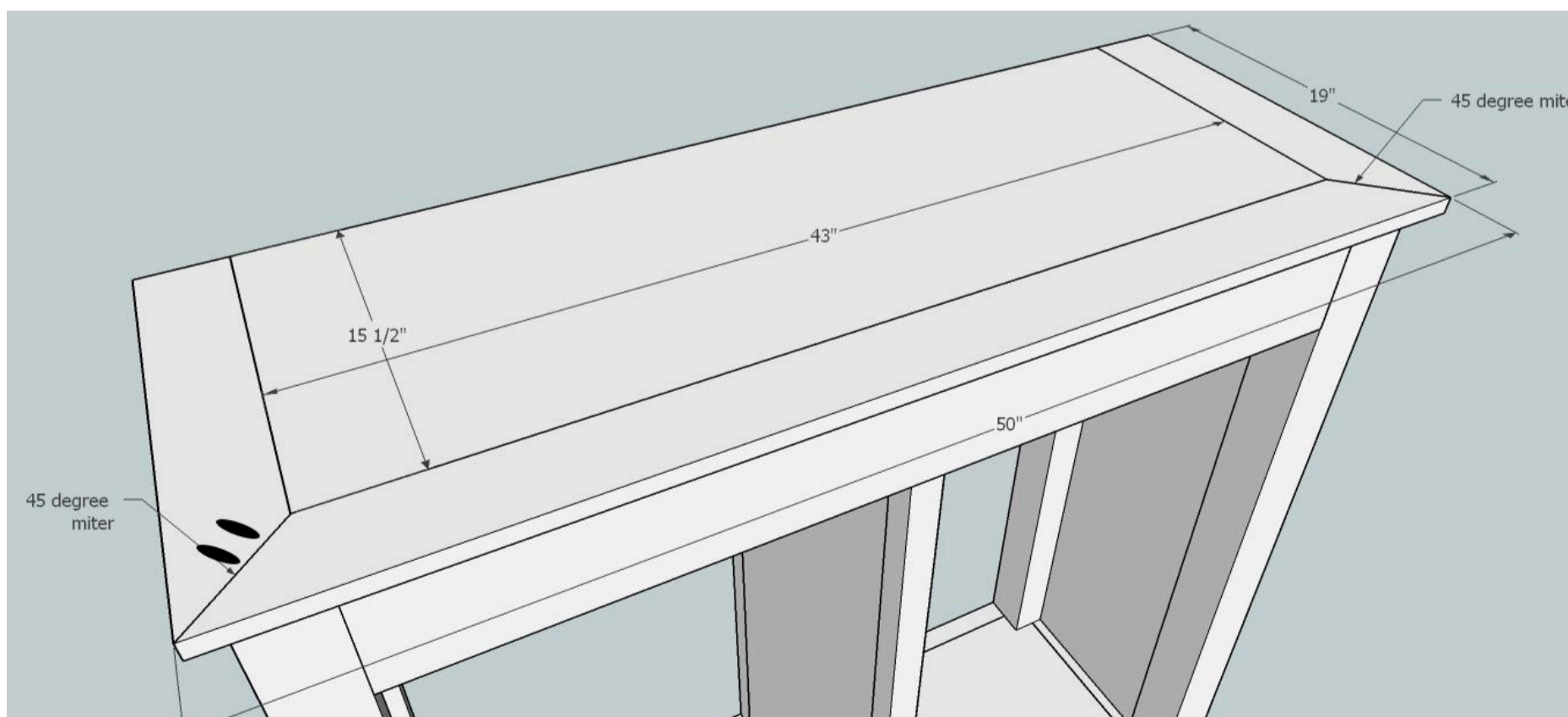
Next up, a piece of plywood that doesn't need special corners cut out!! Yay!! This middle divider will also have pocket holes drilled on the back side of this photo...hence why I didn't illustrate them! I placed them on the back side of this piece simply because of the drawers being able to hide most of them! But you do not have to do it this way!! Now about them pocket holes, 3/4" holes and 1 1/4" screws!



10

Step 10

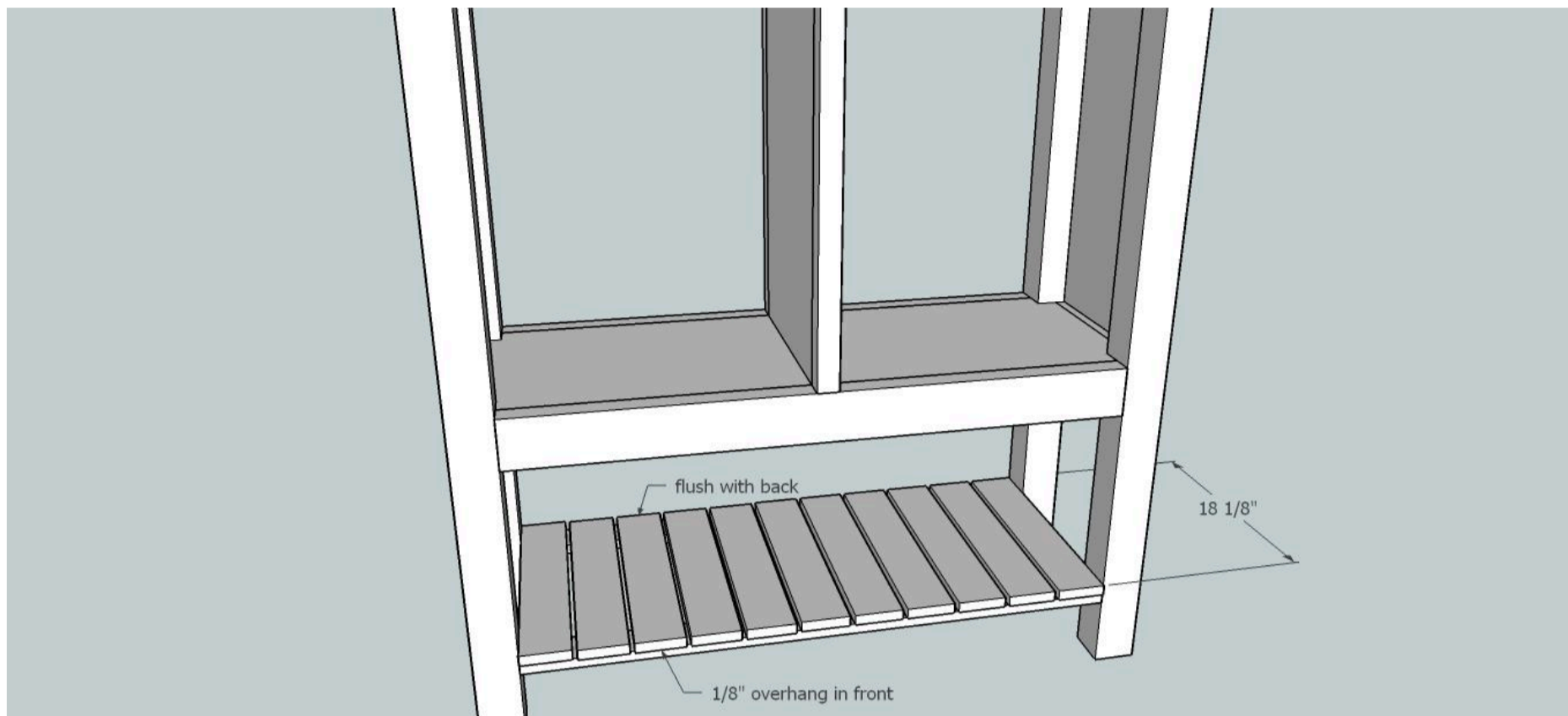
Next we will build the top! I used a piece of plywood framed out by 1/4s mitered at the front corners (45 degrees off square) and just flush to the wall in the back! Note, in the photo I did illustrate 2 pocket holes at the miter, just to show that you can use pocket holes on mitered corners...they would be to the underside of course, not on top, and you would want to use them on both sides and the front as well! They should be drilled into the plywood 3/4" depth and 1 1/4" screws! I didn't attach the top to the bookcase with pocket holes, I just slightly sunk screws down from the top and filled them with wood filler!



11

Step 11

A sigh of relief for a moment when I got to this next step...nothing to stress about here...just cut 11 1x4s to 18 1/8" and glue and brad nail them down to the 1x3s...making sure they are flush to the back so that 1/8" sticks out in the front to sit on top of the steel bar stock we are going to put on there later!!!

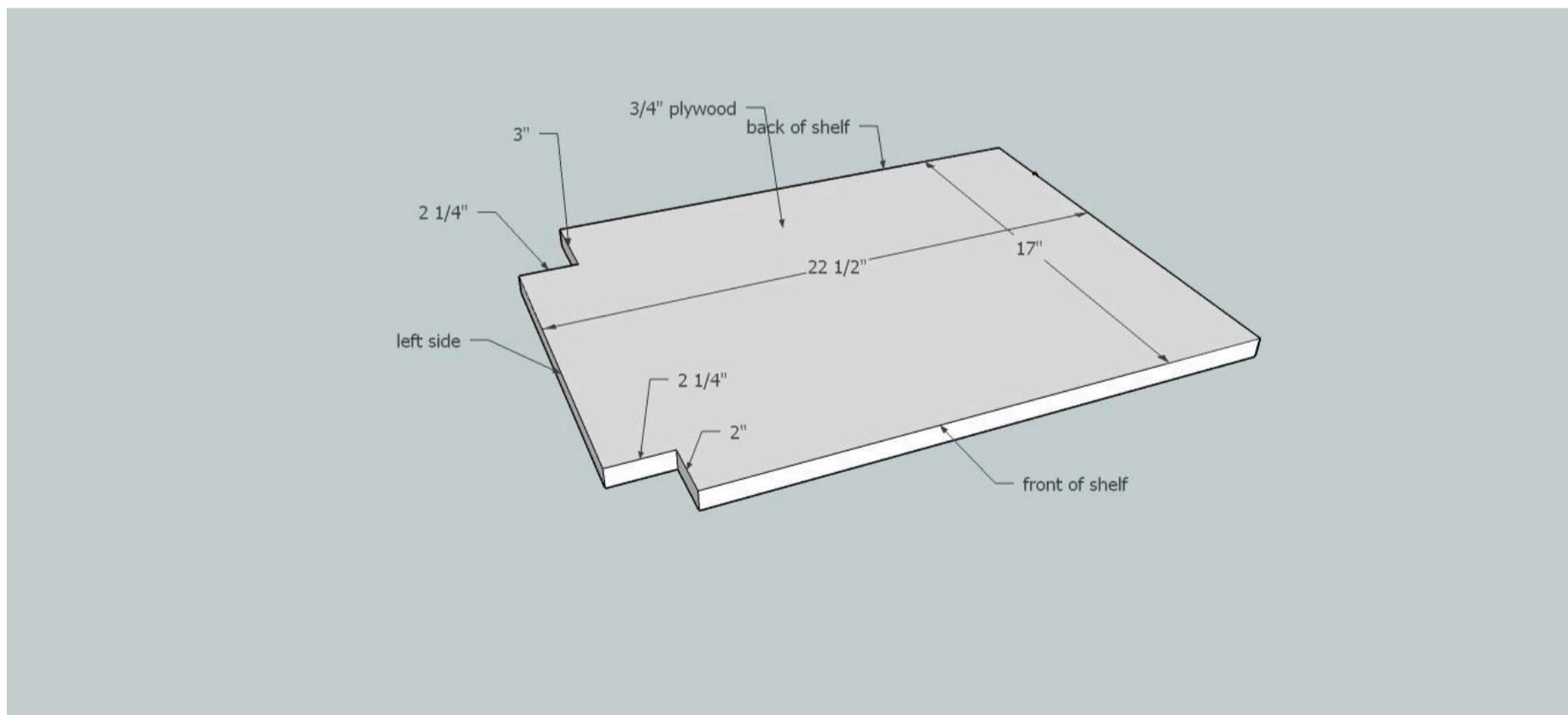


12

Step 12

Yikes, back to the tough steps!! Lol!! Okay, they really aren't tough I just hate the pressure!! But if I managed to do it without wasting any plywood, I know you can too!!

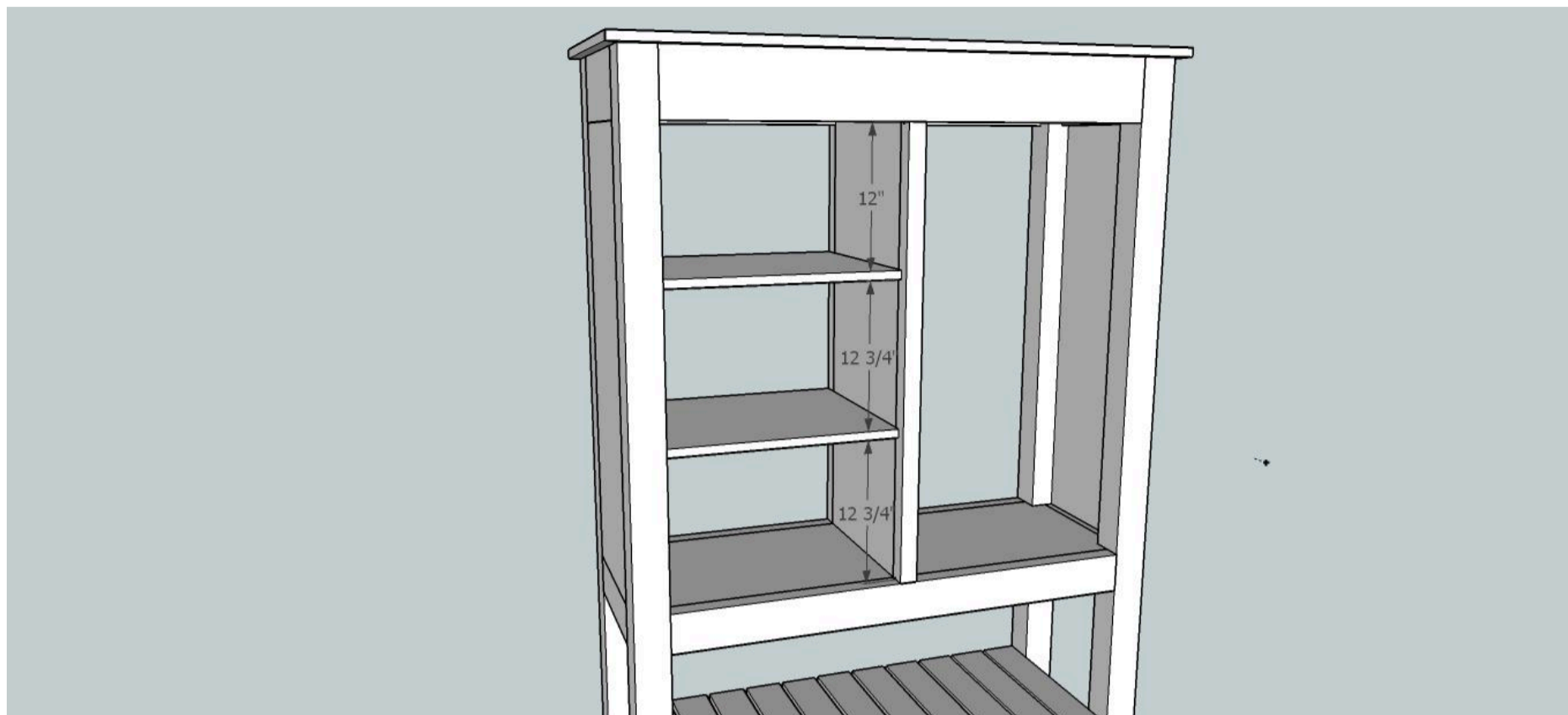
Cut the shelves out of plywood! The bottoms of the shelves will have pocket holes drilled at 3/4" and will be attached using 1 1/4" screws!



13

Step 13

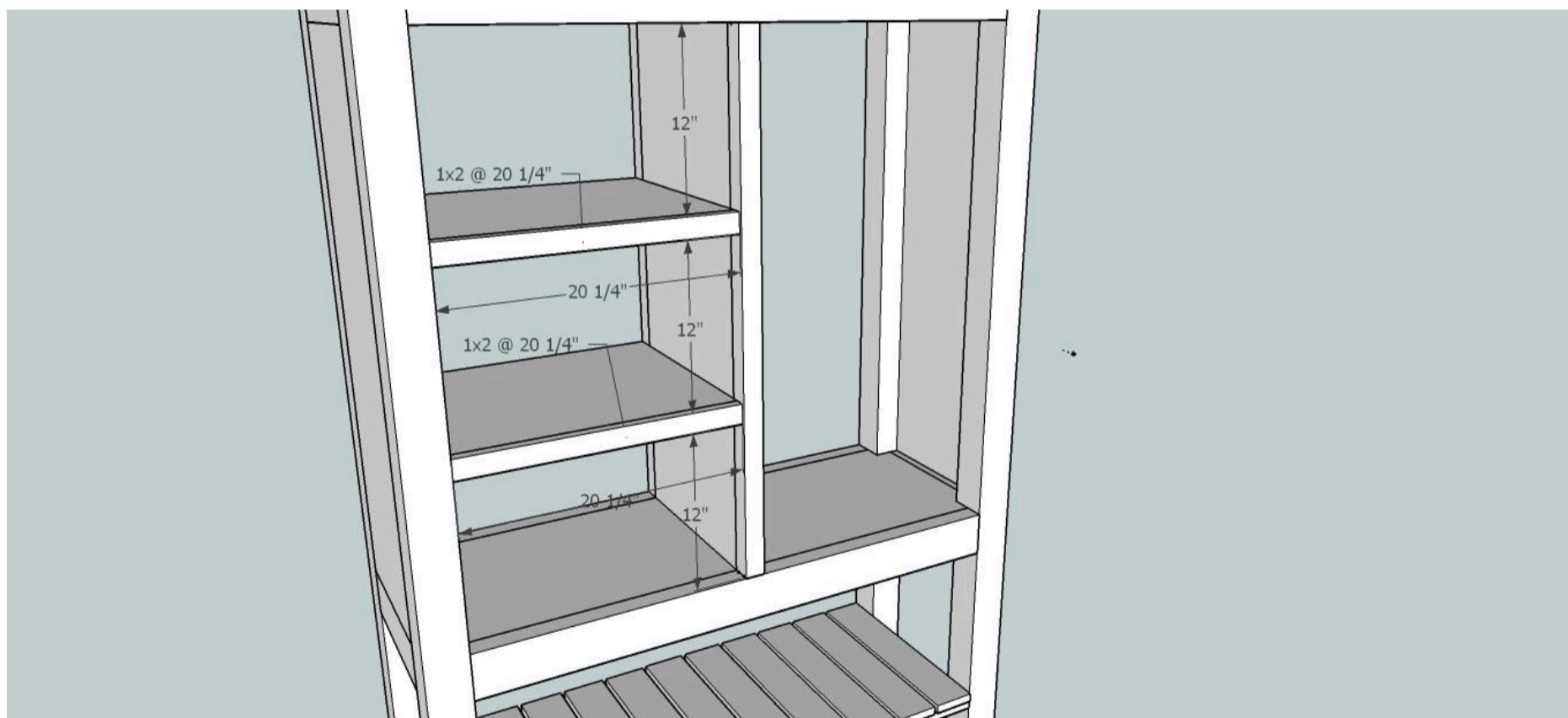
Place the shelves as shown below! Don't worry about there being more space between two shelves and not the other...it will be resolved in the next step!!



14

Step 14

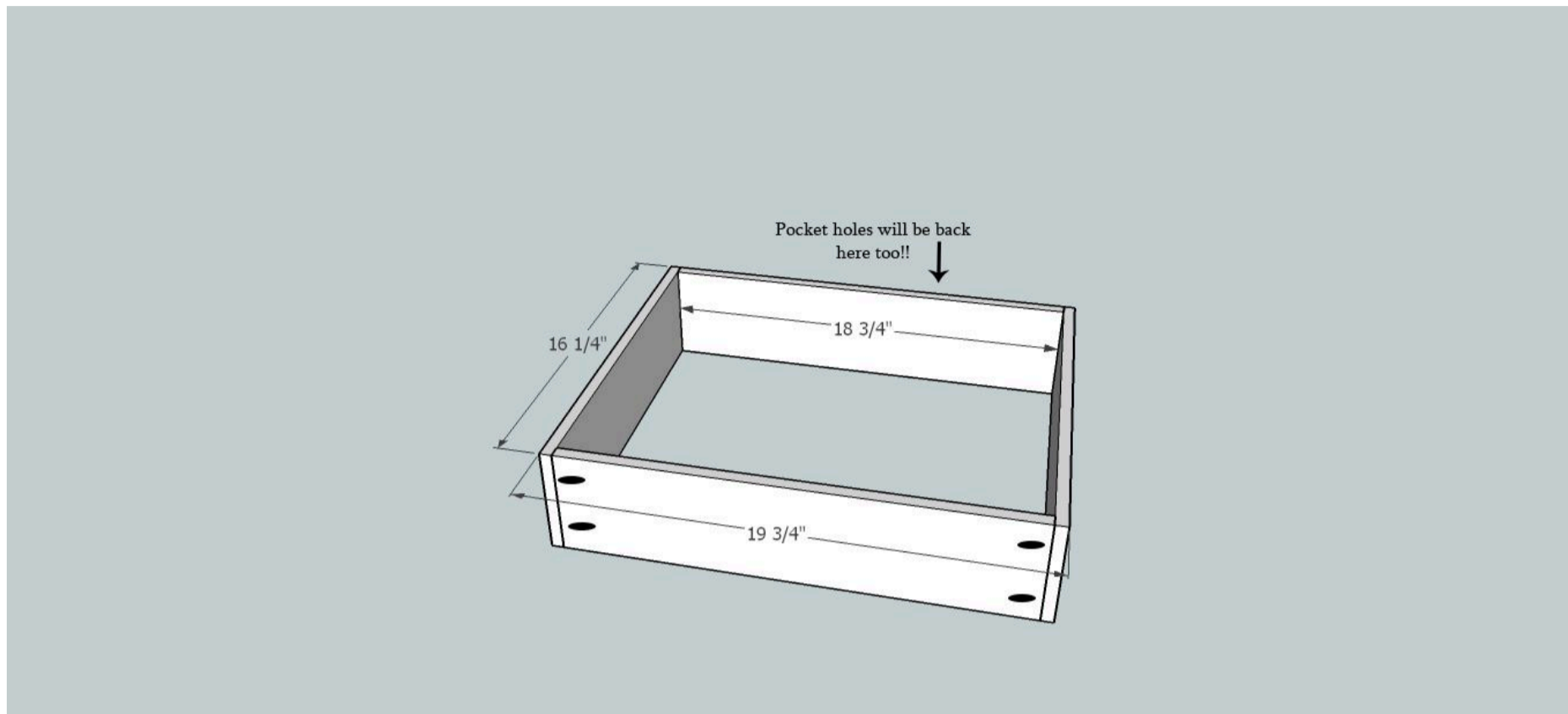
Using glue and brad nails about 1 1/4" long or so...attach the shelf face frames!



15

Step 15

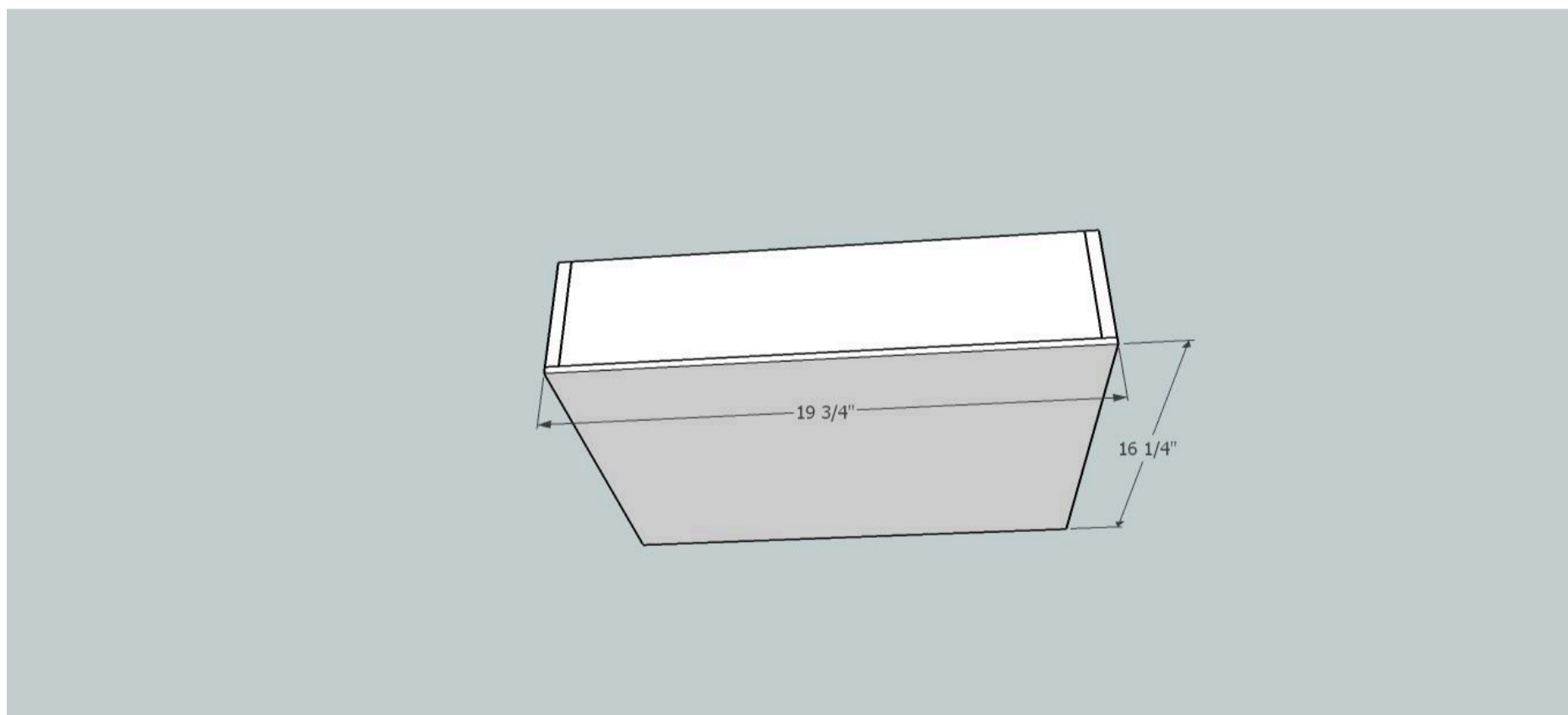
The left side of the shelf is now complete!! Pat yourself on the back, grab an ice cold drink and let's get back to work!! Haha!! Moving on, the drawer boxes will be built next! This is 1/2" plywood we are using so we have to change up our pocket holes and screw size! The pocket holes will be drilled at 1/2" and the screws will only be 1"! It is amazing how light weight using 1/2" plywood makes the drawers compared to using 1xs! Make sure and do this three times for the three drawers!



16

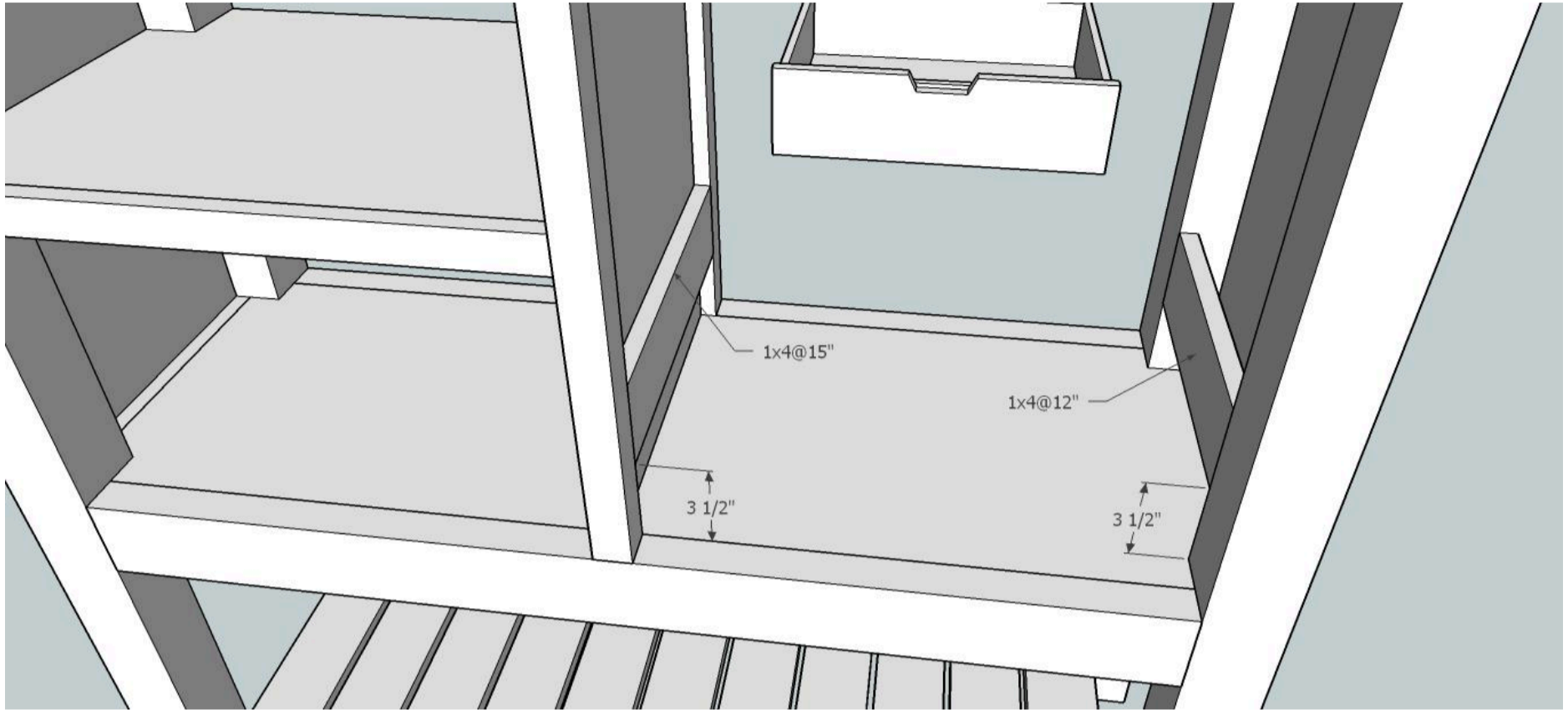
Step 16

Cut the drawer bottoms to fit your drawers! I just use wood glue and brad nails to attach!

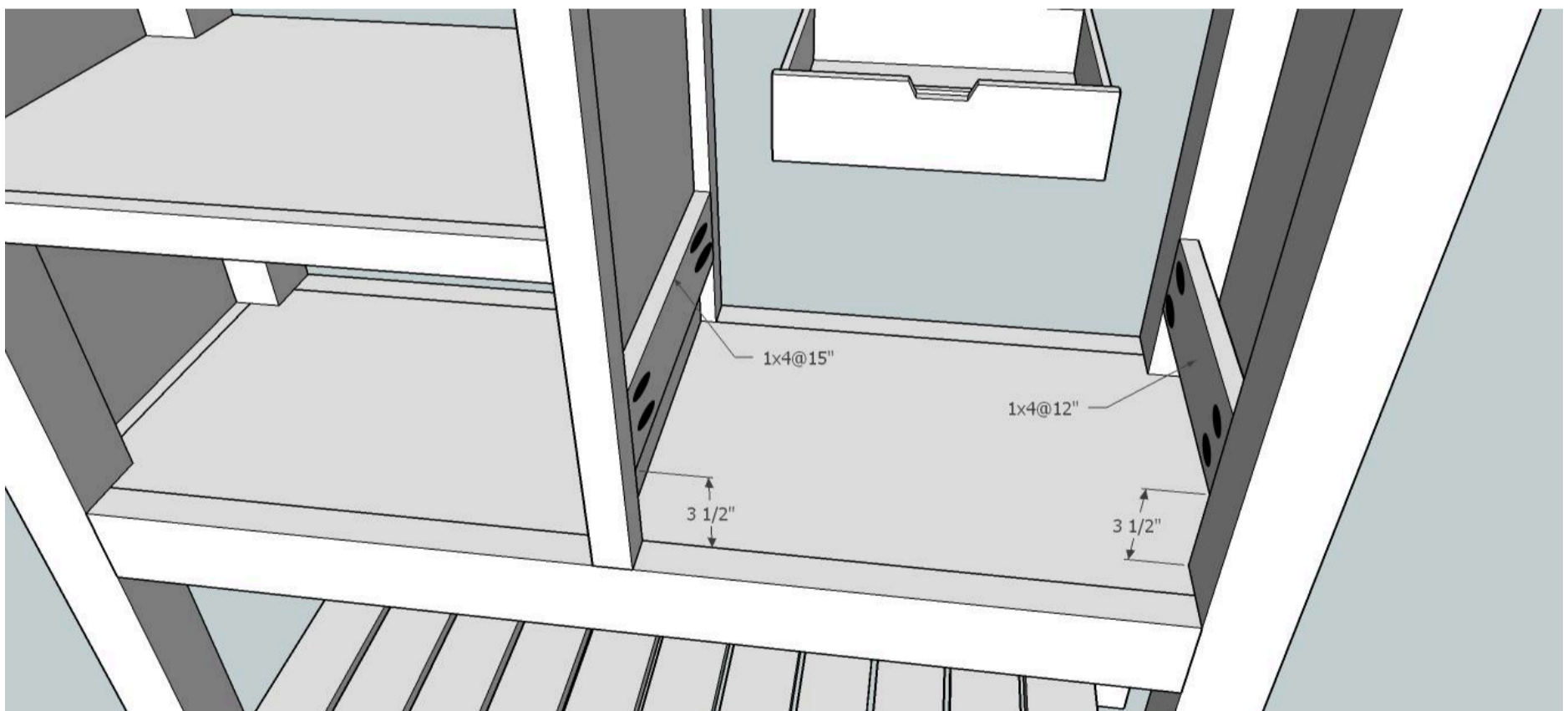


17**Step 17**

Attach the drawer fronts to the drawers! I used wood glue and brad nails from the back! I cut a little design out with my jig saw so that you don't need a drawer pull because they would get in the way of the barn door! Don't look closely, they are definitely not perfect!! LoL!!

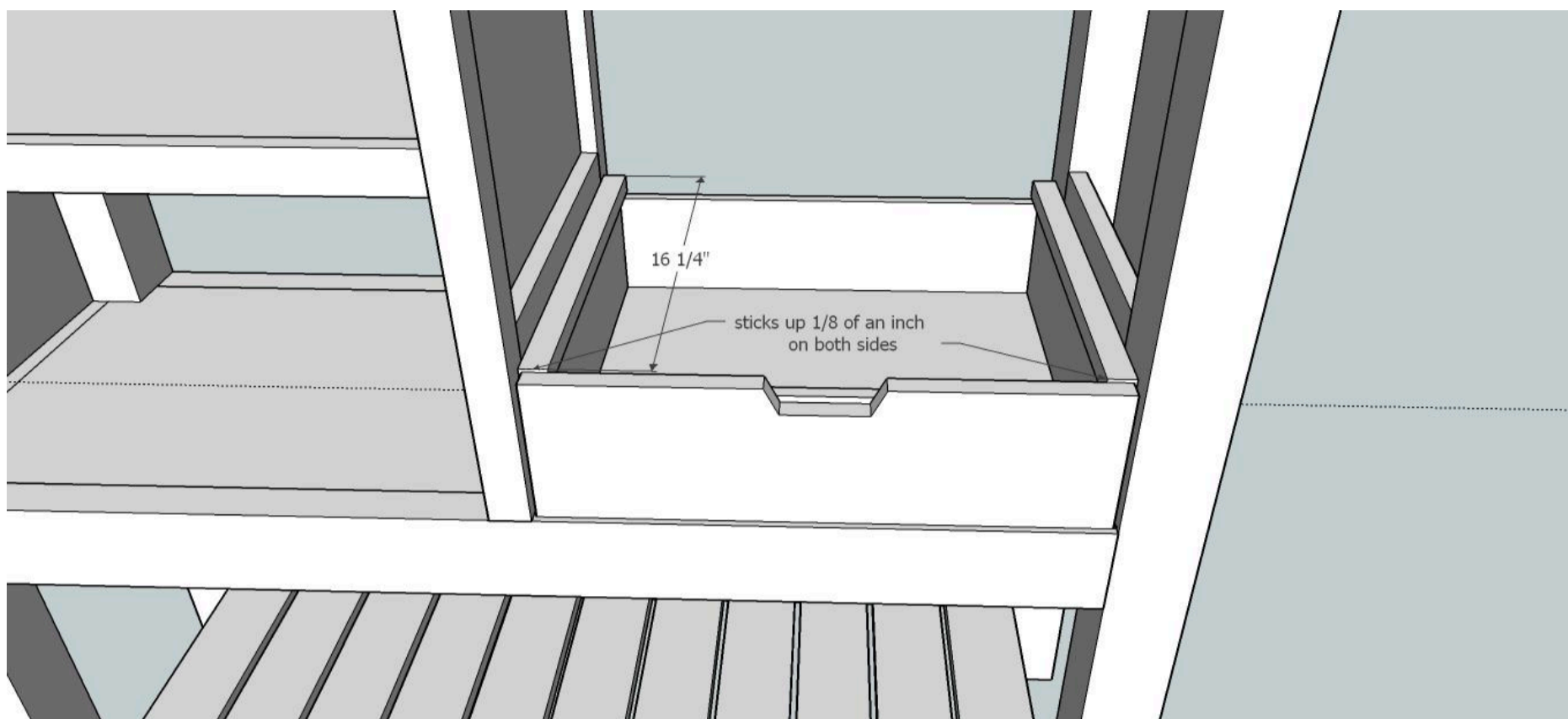
**18****Step 18**

Time to attach some drawer slide supports!! I made my own drawer slides since the drawers are lightweight and I don't plan on putting anything too heavy in them, but if you want to use regular drawer slides you will need to do this step too!!

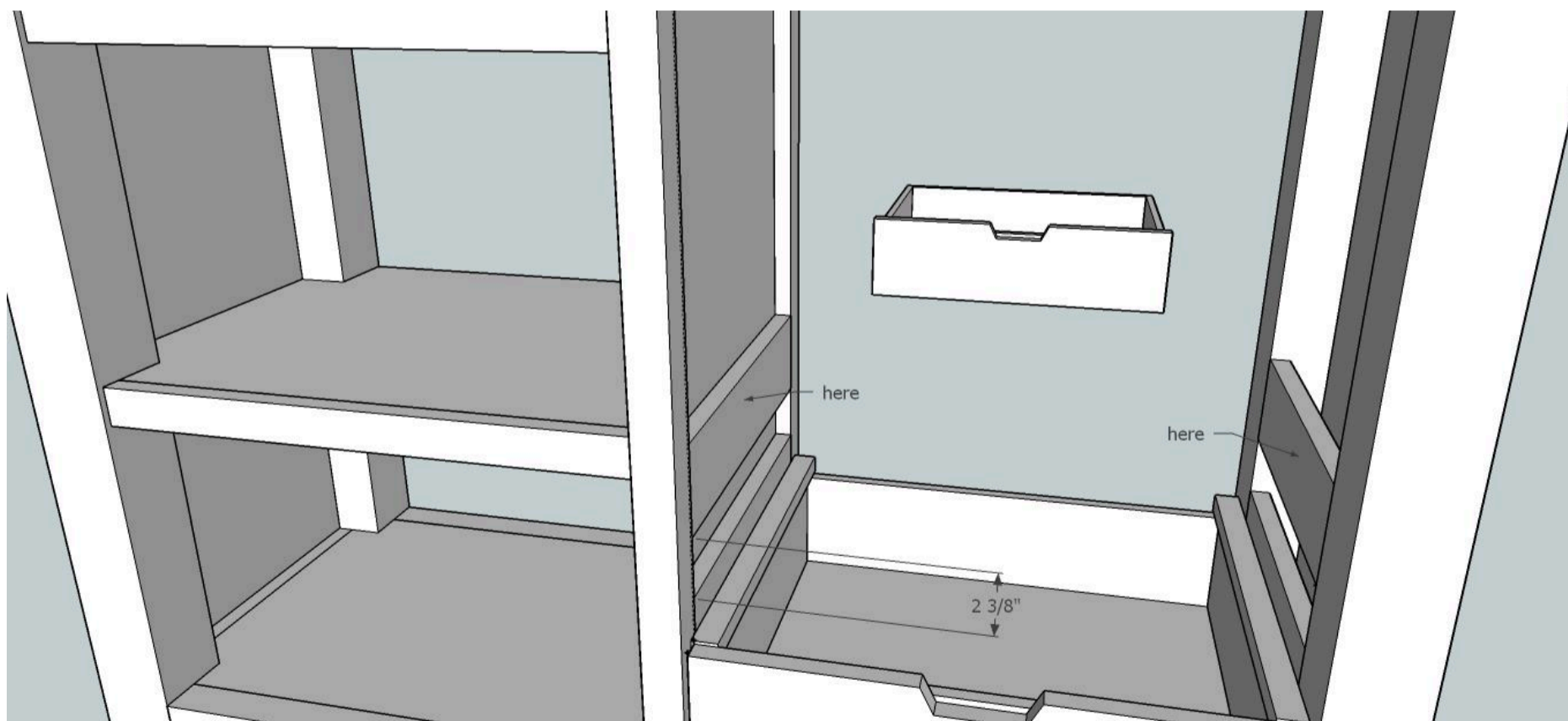


19**Step 19**

After installing the drawer slide supports, slide the drawer on in and using a spacer 1/8" thick, set it on the drawer box and then set the drawer slide on this and glue and screw it into place! There is no drawer slide for the bottom drawer! This drawer slide will give the upper drawers something to rest on while keeping the lower drawers from tipping out! Plus when you place the front of the drawer slide right where you want your lower drawer to stop, it acts as a stop to keep them in place! And for about \$3 instead of \$36...I'll take it!!

**20****Step 20**

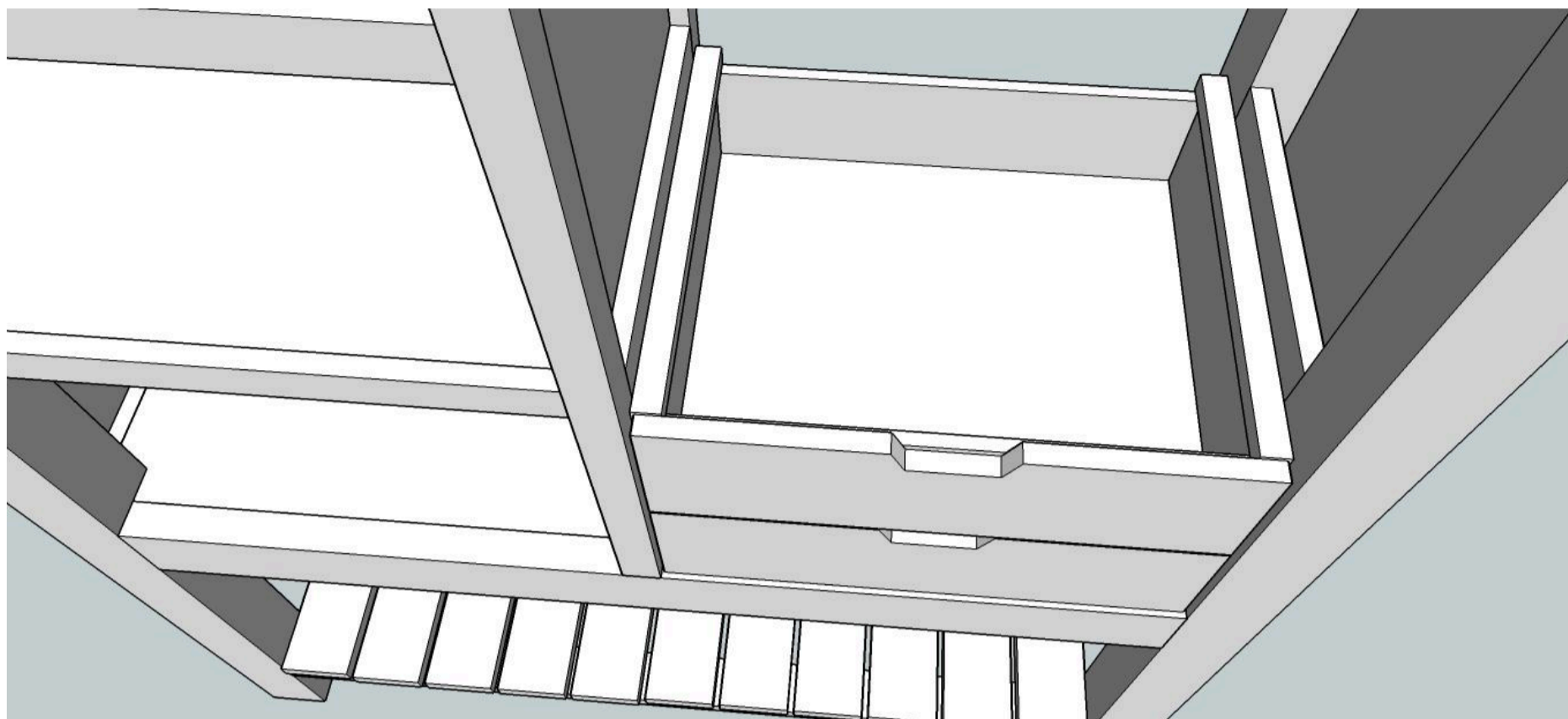
Repeating the same steps for the next drawer slide supports, pocket hole them into place!



21

Step 21

Repeat the same step for the drawer slides as well!!



22

Step 22

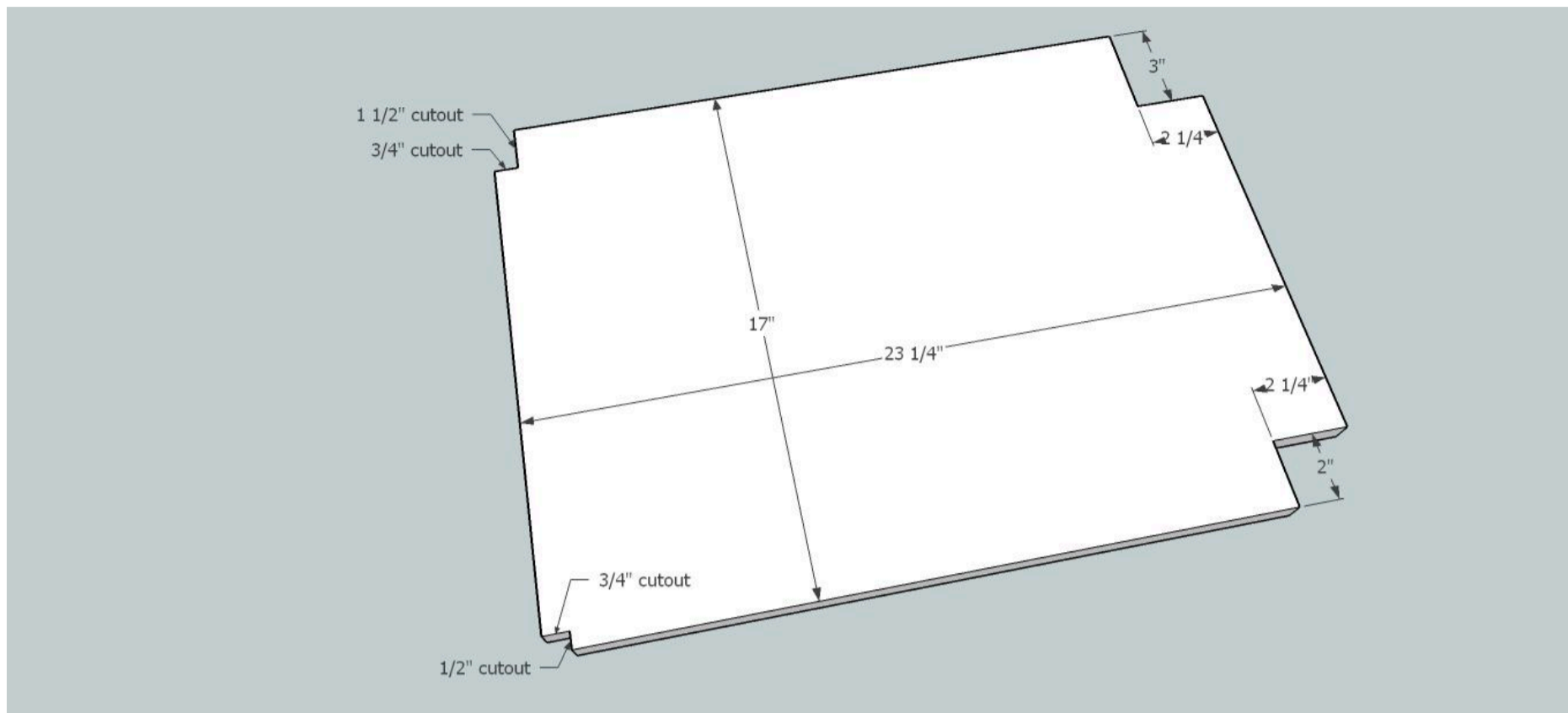
Now all three drawers are in, but we will still place another drawer slide on top of this last drawer just to keep it from falling out on anyone's toes and to create a stop for the drawer!



23

Step 23

Time to do some fancy cutouts again!! But hey, it is the very last one and this beauty is almost complete!! This shelf will need 3/4" pocket holes on the underside and it will be attached with 1 1/4" screws!



24

Step 24

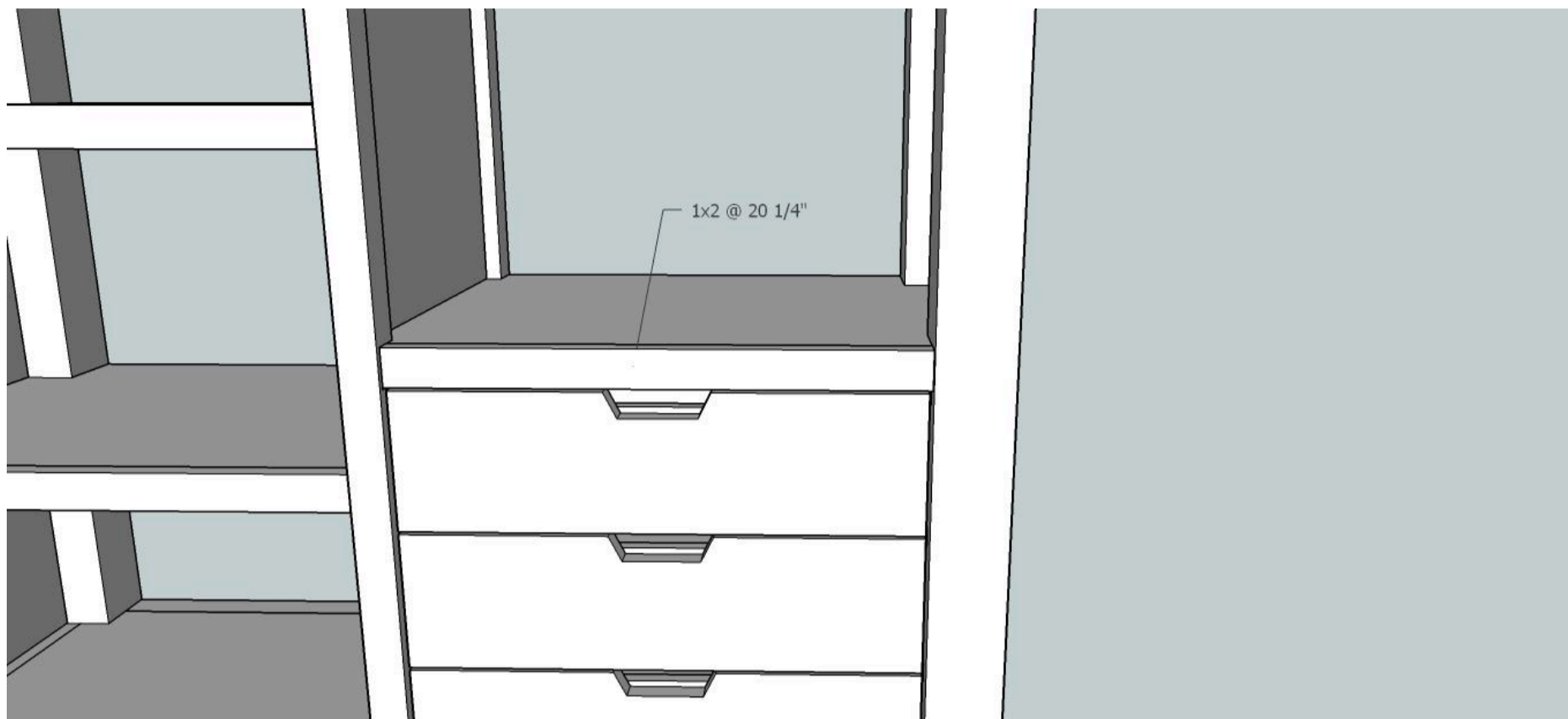
Here it is in the bookcase! Make sure you place the top of the shelf 1 5/8" from the top of the last drawer...because we are going to have our shelf face frame...it needs a place to call home too!! Ha!



25

Step 25

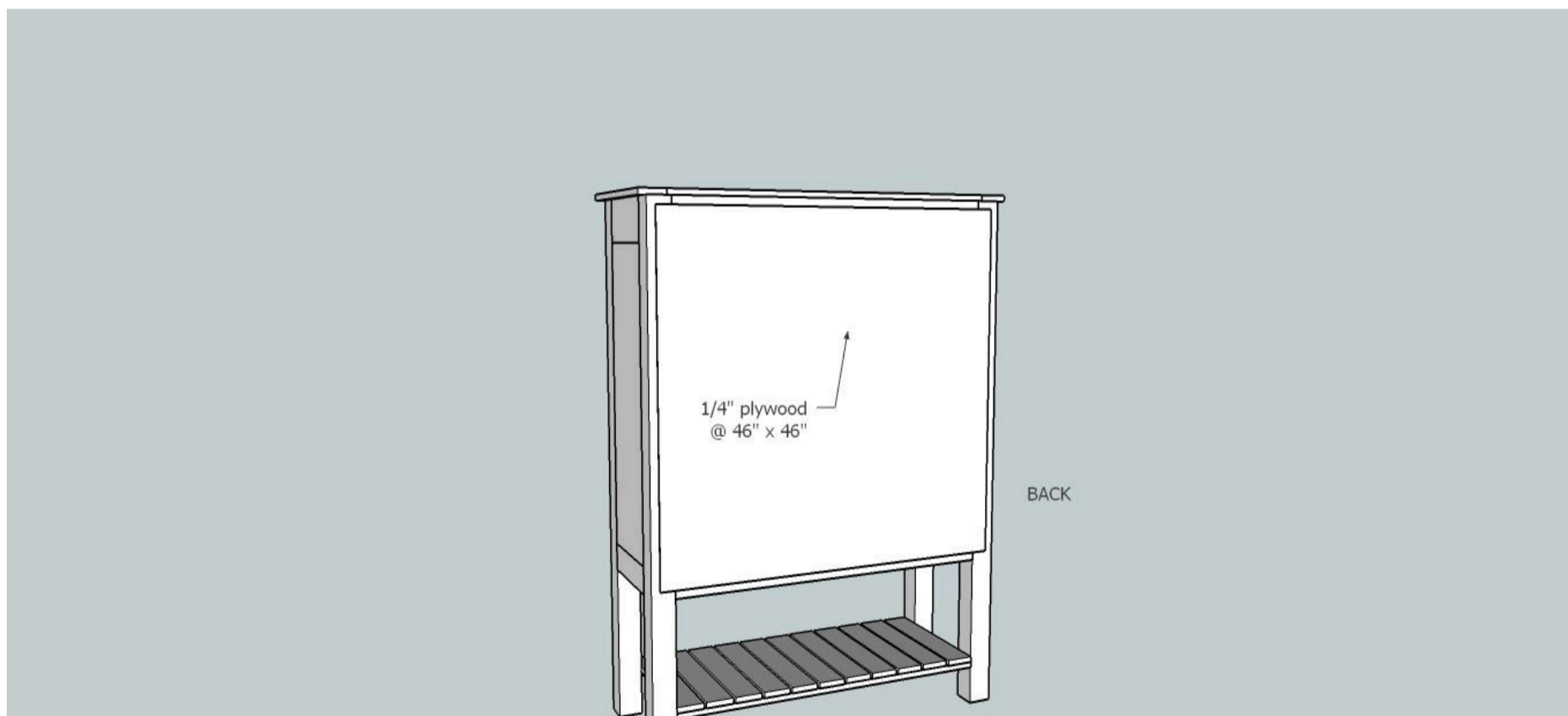
Brad nail that last shelf face frame on!



26

Step 26

Cut your 1/4"x48"x48" piece of plywood down slightly smaller to 46"x46" and using brad nails attach it to the back of the bookcase like the Boss that you are, because this bookcase is DONE!! Woot Woot!! Now all it needs is some fancy jewelry, you know like some steel bar stock, and some wheels...and oh how about a barn door!! IO!!!



27

Step 27

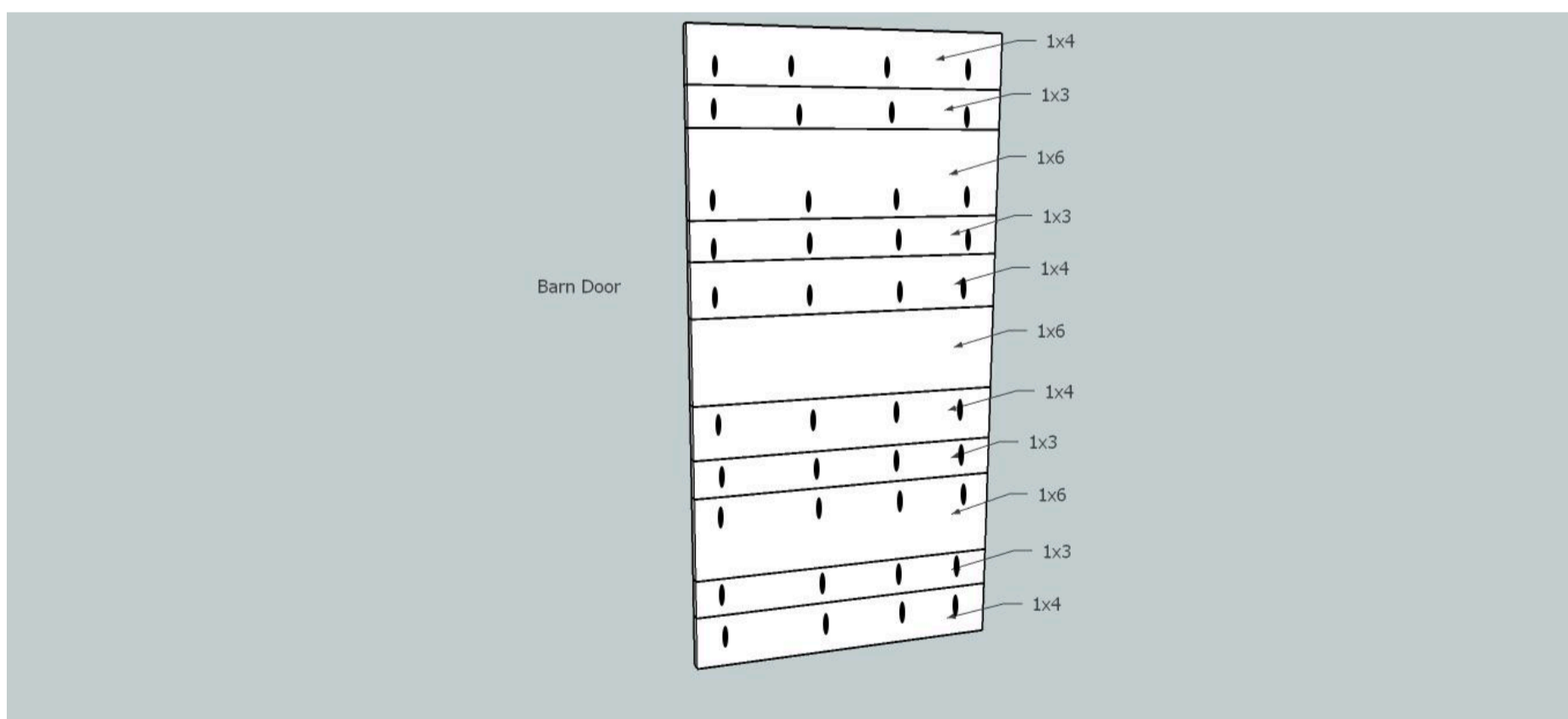
Take a really good look at how beautiful she is!! I really debated not putting the barn door on...I loved it so much just as a unique piece! But curiosity got the best of me and I needed to know...so I went ahead and built the barn door!!



28

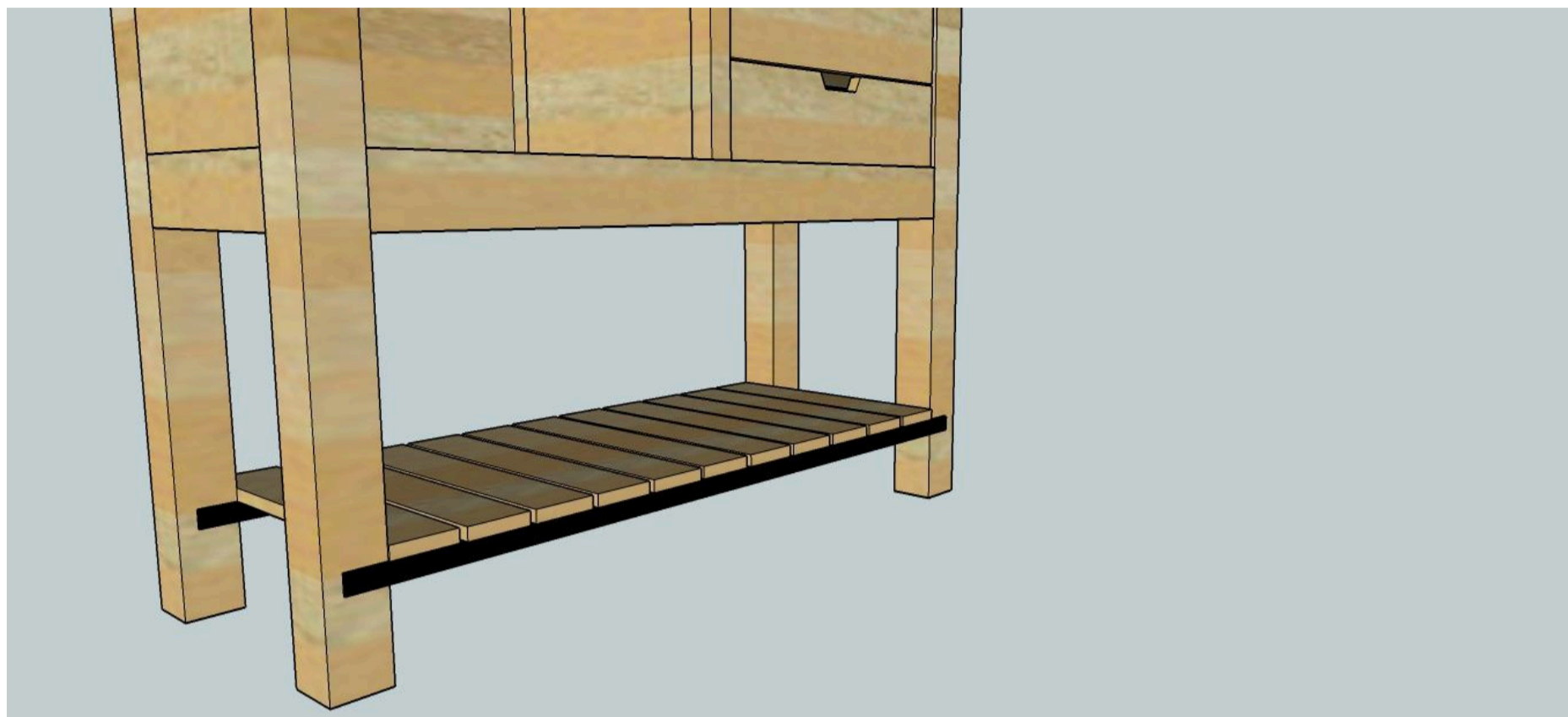
Step 28

Next drill a ton of pocket holes!! Ha!! I used the pattern of boards in the picture but you could really do any pattern you'd like! Make sure to drill the holes at 3/4" and use 1 1/4" screws to attach...I hope you bought the 250 pack of screws for this project!! Lol!!



29 Step 29

Before i attached the barn door, I attached my bottom pieces of bar stock, I just tried to use some self drilling screws... and with a ton of effort my husband got them to actually drill through the metal...I think they were just laughing at me when I tried!! Haha!



30 Step 30

Attach your top bar stock and wheels and all to your door! Viola! She's DONE!! I will have a more in depth tutorial on the extremely easy barn door hardware on my blog, but I feel I have blabbed on long enough, I hope you survived all of that!! Lol!!

