

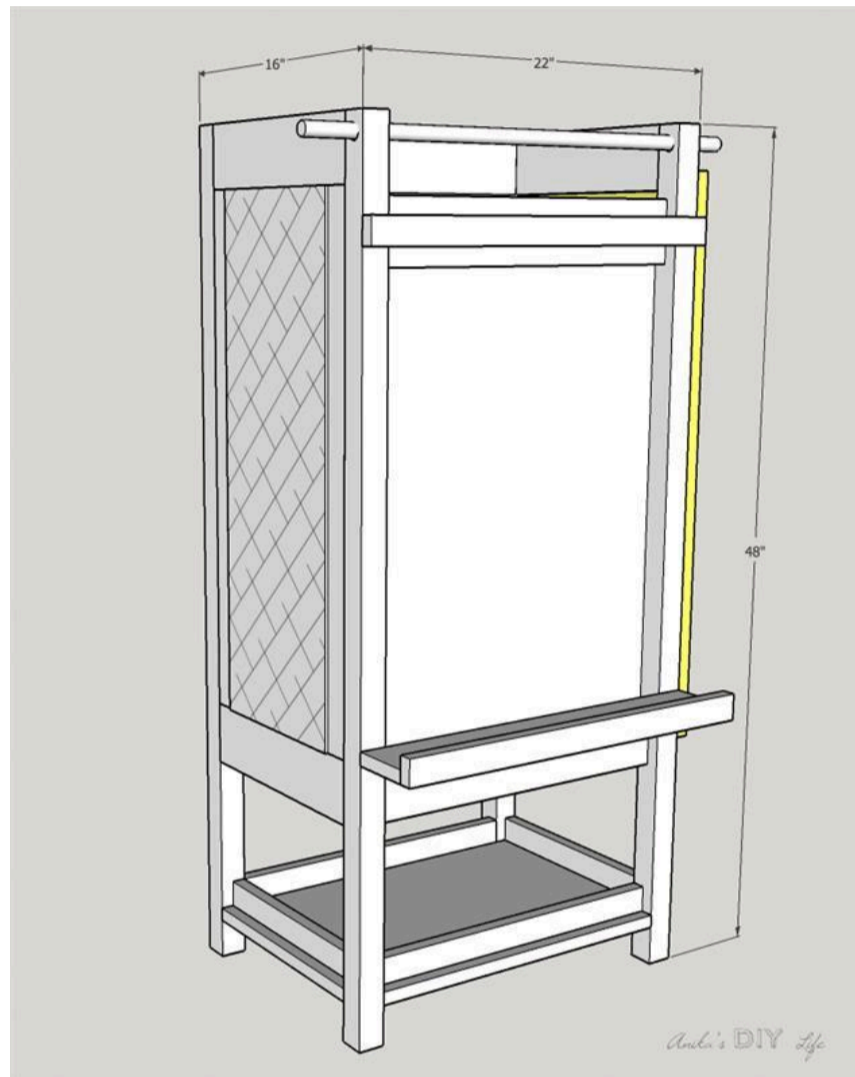
5-in-1 Kids Art Station

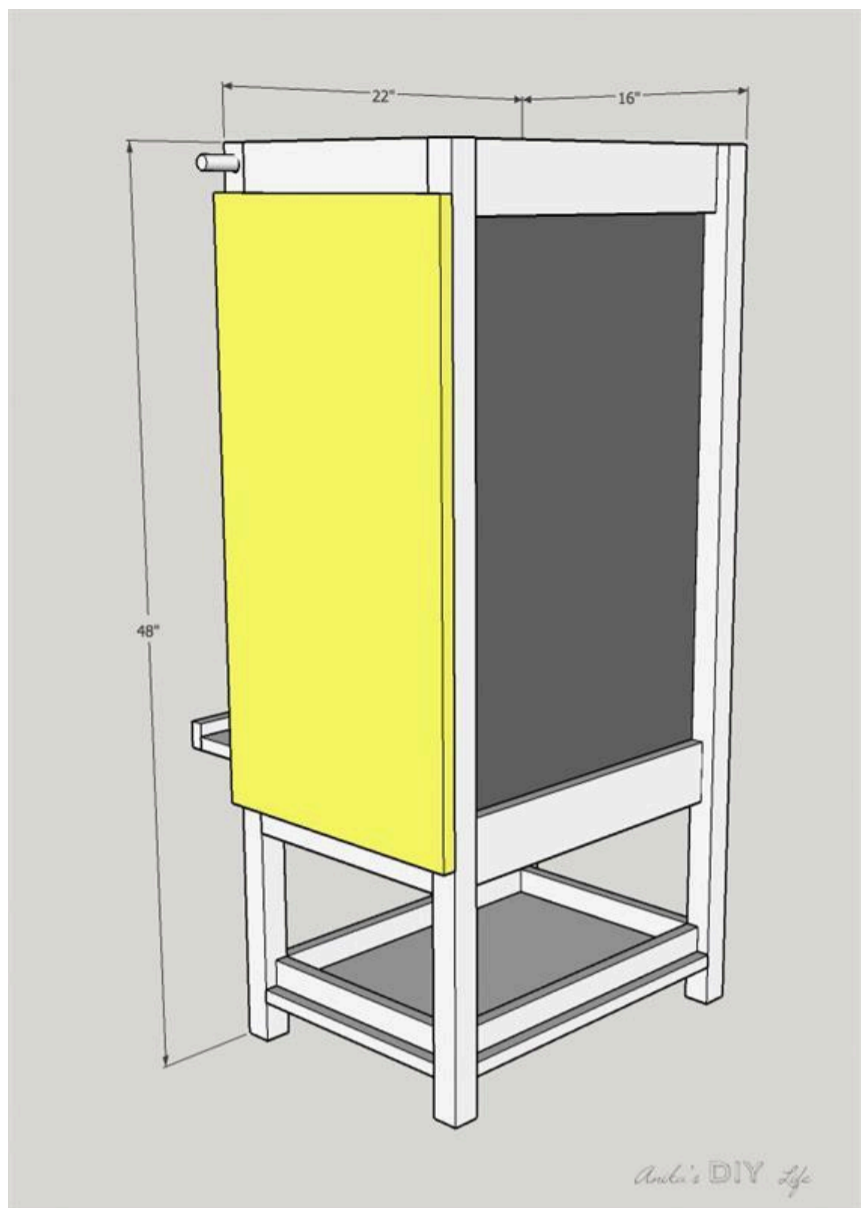
By **Anika's DIY Life**

Difficulty

Easy

This 5-in-1 Kids Art Station includes a dry erase board, magnetic chalkboard, art paper roll holder, kids art display, and an art supply organizer. It is easy to build and will provide hours of fun!





Tools

Kreg Tools

- Kreg 20V Ionic Drive™ 7 1/4" Circular Saw (Tool Only)
- Kreg 20V Ionic Drive™ Barrel Grip Jigsaw (Tool Only)
- Kreg 20V Ionic Drive™ 1/2" Compact Drill (Tool Only)
- Kreg® Pocket-Hole Jig 720
- Kreg 20V Ionic Drive™ 5" Random Orbit Sander (Tool Only)

Other Tools

- Miter Saw
- Stapler

Materials

Wood Products

- 2 Board , 2x2 , 96"
- 2 Board , 1x4 , 96"
- 2 Board , 1x2 , 96"
- 1 Plywood , 3/4" Thick , 24"

Hardware & Supplies

- 50 1 1/4" Pocket Hole Screws
- 50 1 1/4" Finish Nails
- 25 3/8" Staples

Cut List & Parts

- 4 Legs , 1 1/2" X 1 1/2" X 48"
- 4 Long Aprons , 3/4" X 3.5" X 19"
- 4 Short Aprons , 3/4" X 3.5" X 13"
- 2 Shelf Long Apron , 3/4" X 1.5" X 19"
- 2 Shelf Short Apron , 3/4" X 1.5" X 13"
- 2 Chicken Wire Frame Support , 3/4" X 1.5" X 29"
- 1 Art Paper Roll Edge , 3/4" X 1.5" X 22"
- 1 Art Shelf , 3/4" X 3.5" X 22"
- 1 Art Shelf Lip , 3/4" X 1.5" X 22"
- 1 Bottom Shelf , 3/4" X 22" X 16"

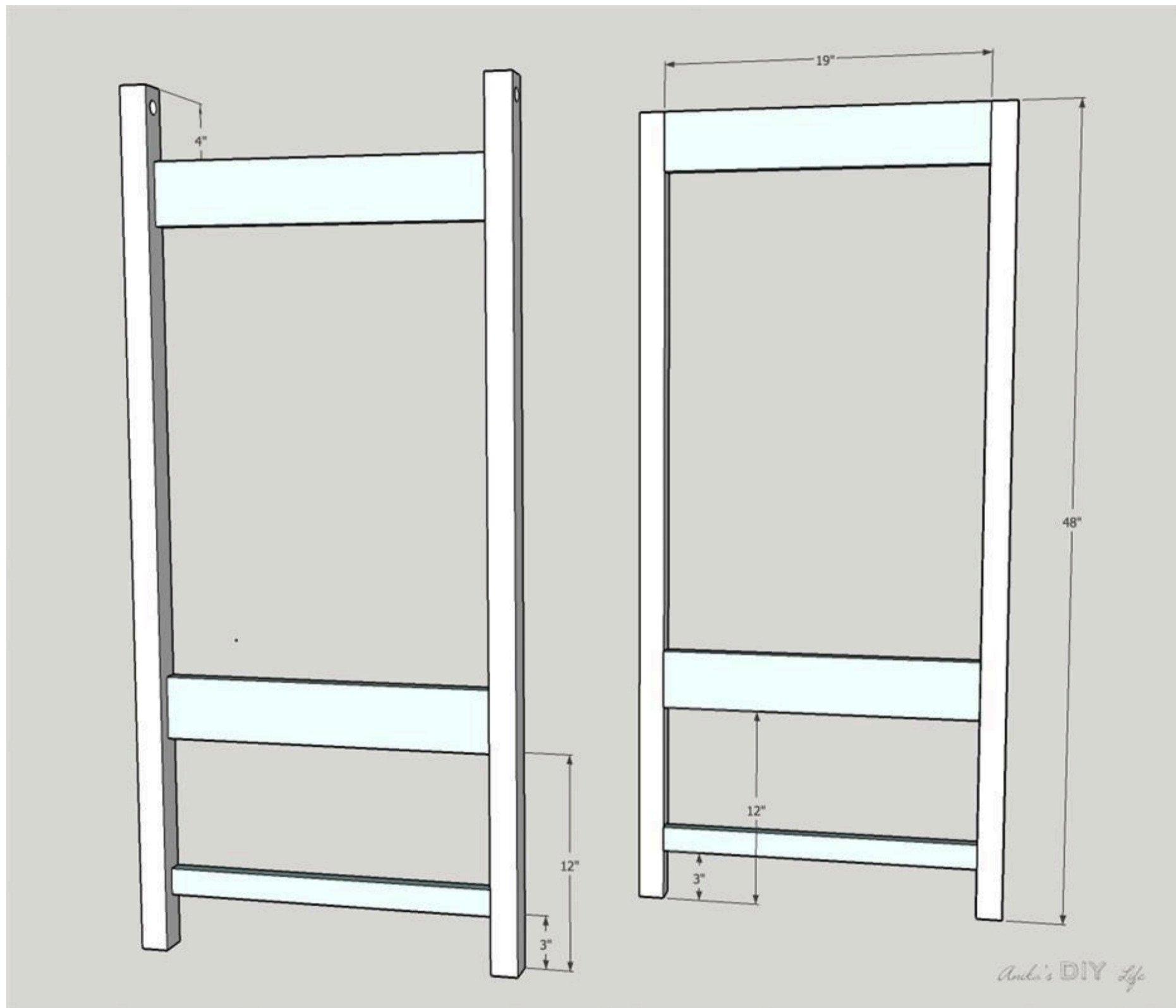
Directions

1

Build front and back frames

Drill 7/8" holes through the two of the legs for the art paper roll holder.

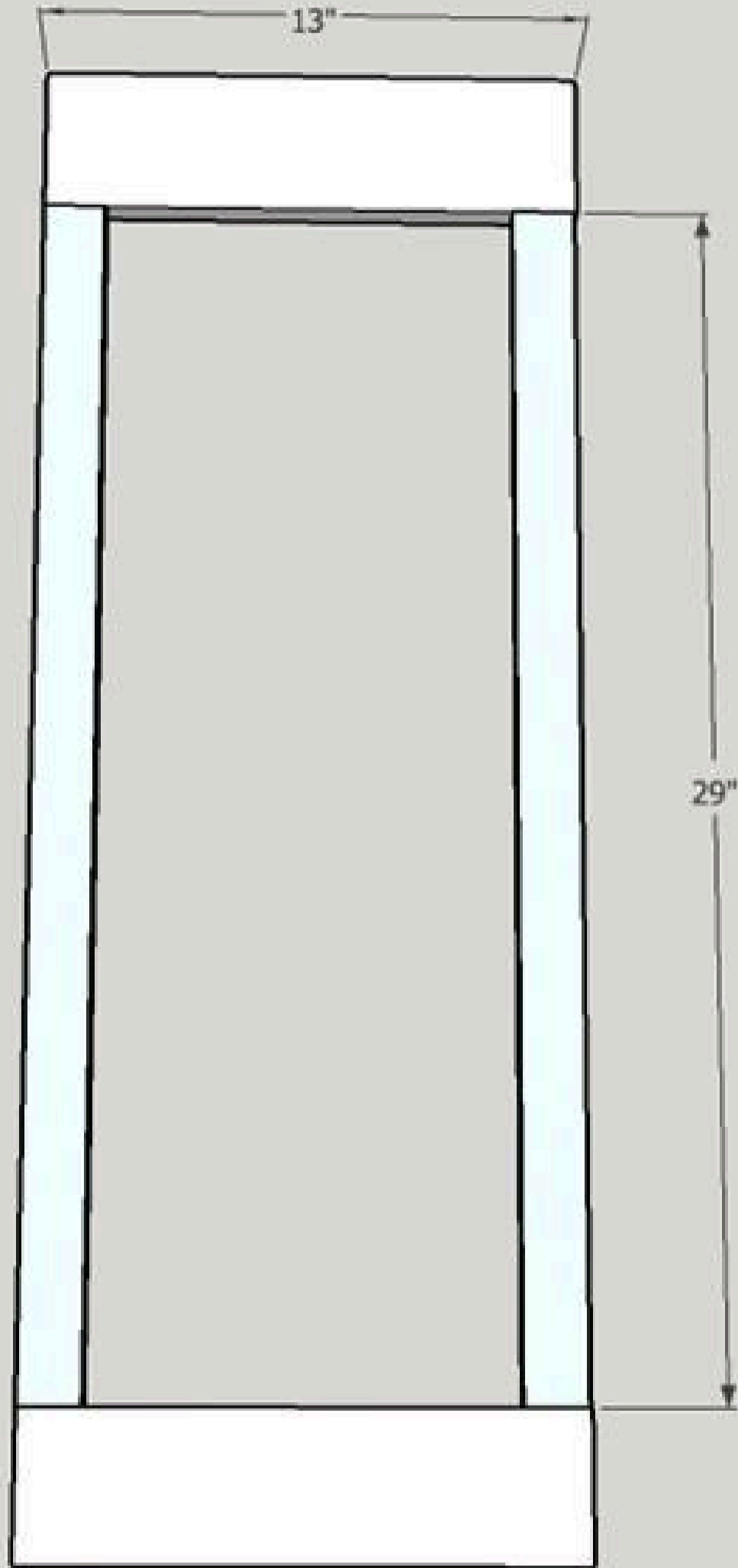
Build the two front and back frames by attaching the long aprons and long shelf supports as shown using pocket holes and wood glue.



2**Build chicken wire frame**

Build a frame for the chicken wire using the 1x2 chicken wire supports and 1x4 short aprons.

The 1x2's are attached to the 1x4's by pocket hole screws and wood glue.



3**Build the art center frame**

Connect the front and back frames together by adding the chicken wire frame and the remaining short aprons and shelf supports to create the overall art center frame.

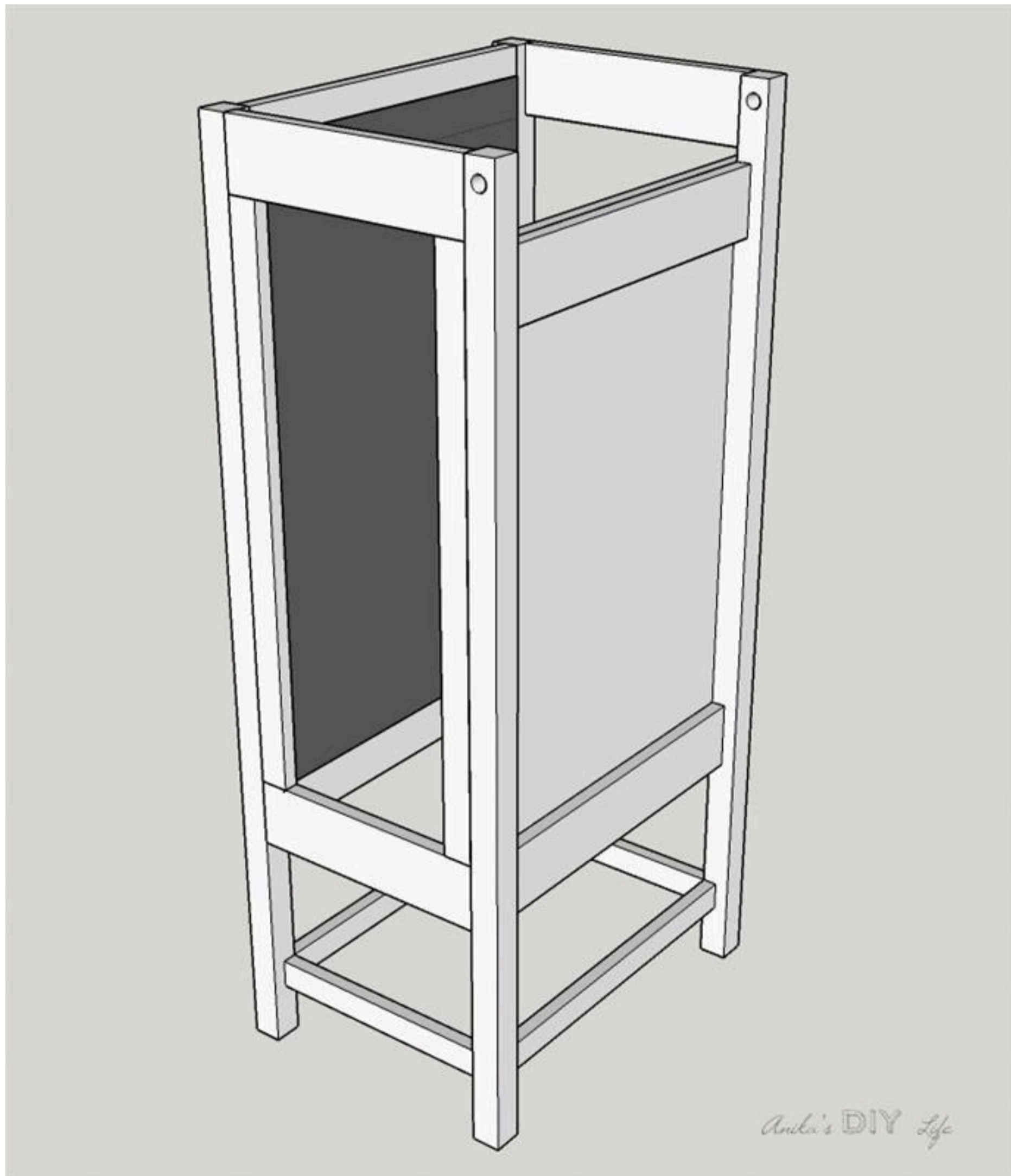


4

Add chalkboard and dry erase board

Paint or stain the frame in color of your choice.

Then attach a magnetic chalkboard and the dry erase board on the front and back frames using a staple gun.

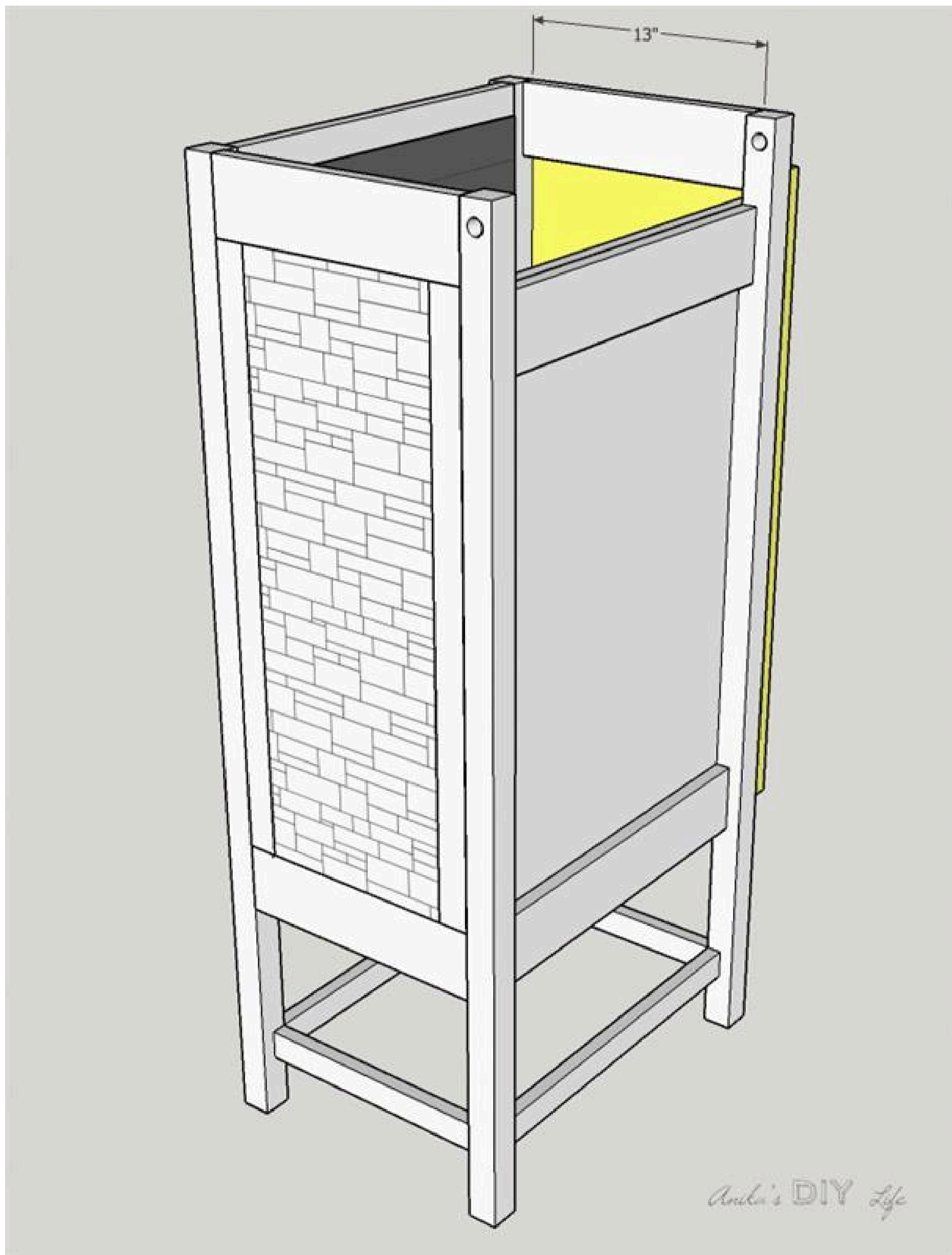


5

Add Chicken wire and pegboard

Attach the chicken wire to the chicken wire frame using a staple gun.

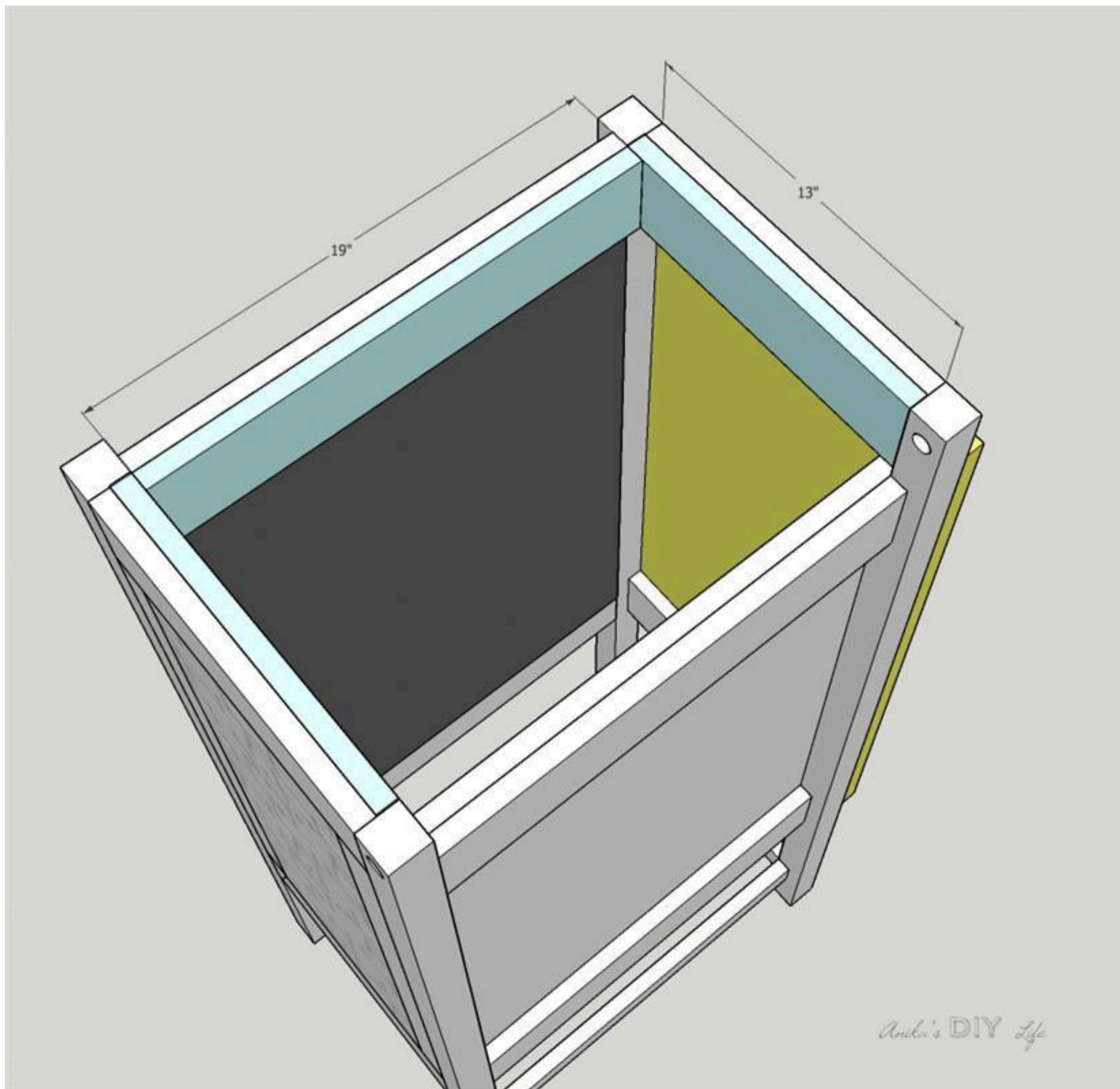
On the opposite end attach the pegboard organizer.



6**Cover up raw ends**

The sharp raw edges of the chicken wire and the magnetic chalkboard will be visible and accessible above the dry erase board.

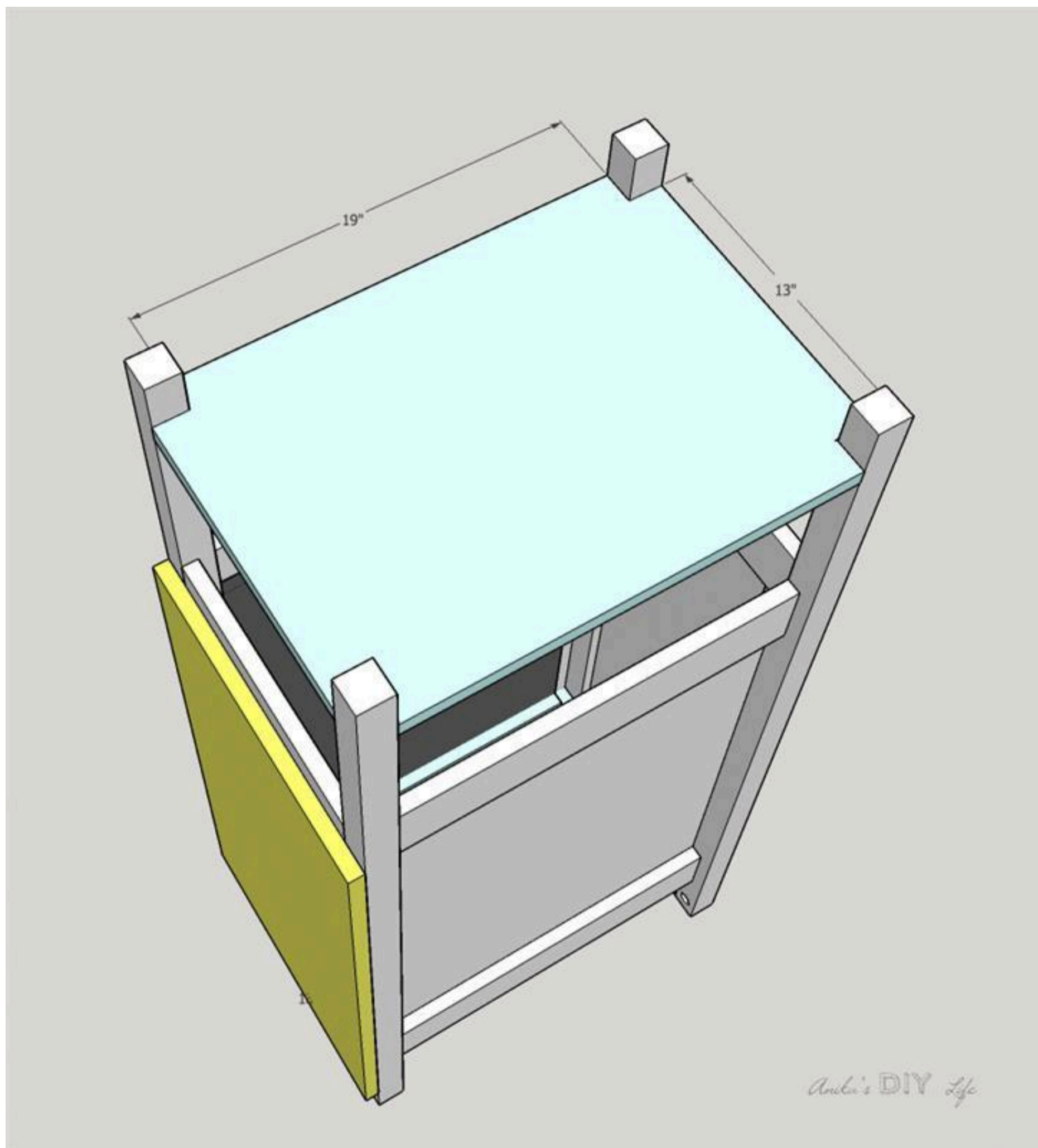
Cover these up by gluing and nailing 1 x4 aprons to the three visible sides.



7**Add shelf**

Cut out 1 1/2" corners on the 3/4" plywood to create the shelf.

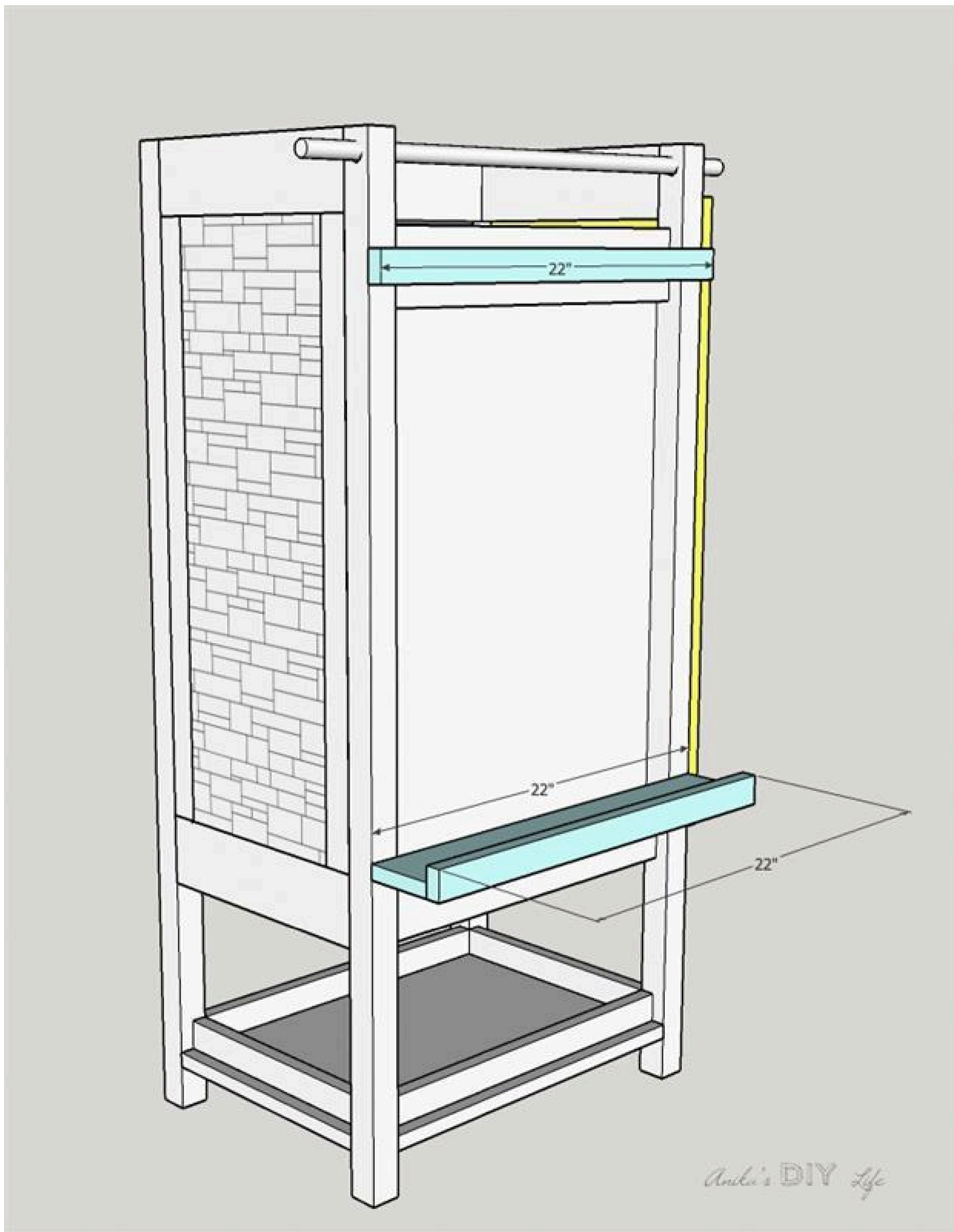
Attach it to the art center from the underside. This creates a shelf with a lip so the supplies do not fall off when the art center is moved.



8**Attach art paper roll holder**

Attach the 1x2 board in front of the top long apron using finish nails and glue to create a board for the paper roll to pass under.

For the bottom shelf, first attach the 1x2 lip to the 1x4 shelf using finish nails and wood glue. Next, attach the 1x4 to the 2x2 legs using pocket hole screws on the bottom and glue. The pocket holes are only made on the ends of the 1 x4 where it meets the 2x2 legs.



Anita's DIY Life

9

More Details

You can add locking casters to the bottom of the art center to make it moveable from one room to another. I opted to add felt pads so it is easy to turn around but not too easy for the kids to play with it.

For more tips and tricks to make this art center, and more pictures of the project, please visit www.anikasdiylife.com
