

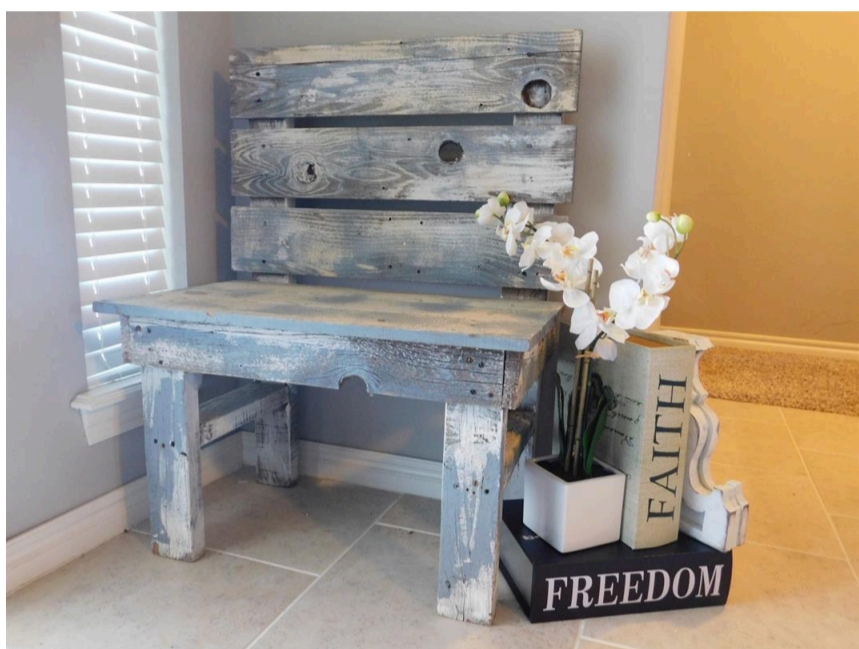
Entry Way Bench

By **Smashing DIY**

Difficulty

Easy

Build a simple, fun entry way bench for only \$30 in lumber! A great and inexpensive way to update your entryway space.



Tools

Kreg Tools



[Kreg® Pocket-Hole Jig 720](#)

Other Tools

Miter Saw

Drill (cordless)

Sander

Materials

Wood Products

2 Board , 1x6 , 96"

1 Board , 1x4 , 72"

2 Board , 2x4 , 96"

Hardware & Supplies

1 2 1/2 Pocket Screws

1 2" Screws

Cut List & Parts

2 2x4, 3'

2 2x4, 17 5/8"

4 2x4, 12 3/8"

2 1x4, 16 1/4"

1 1x4, 26 5/8"

6 1x6, 28"

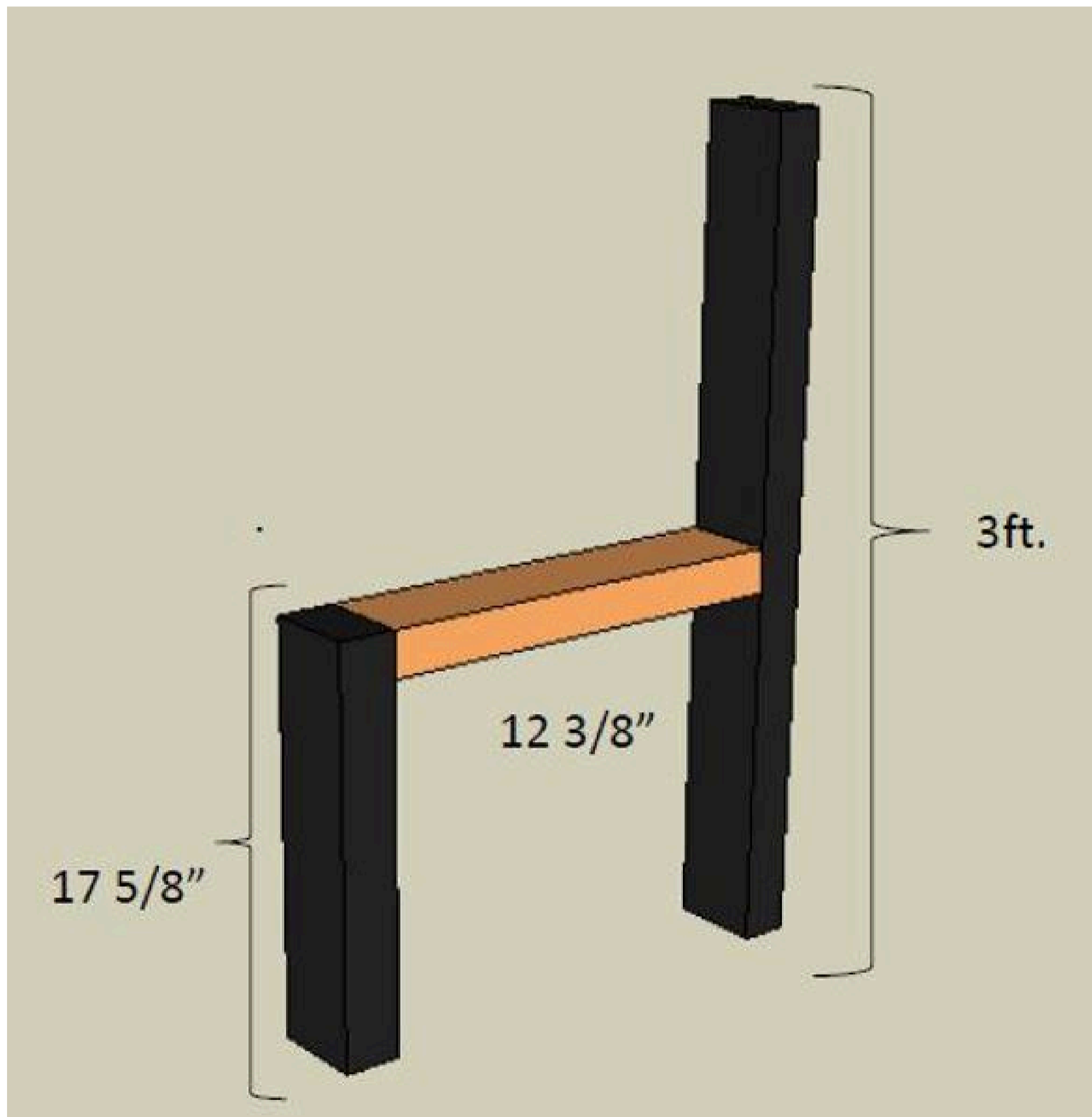
Directions

1

Assemble Leg 1

Use 1 ½ pocket holes underneath 2x4 (12 3/8) to join together 2x4 legs.

Use 2 ½ pocket screws.



2

Assemble Leg 2

Repeat step 1 to make the second leg



3

Add Bottom Braces

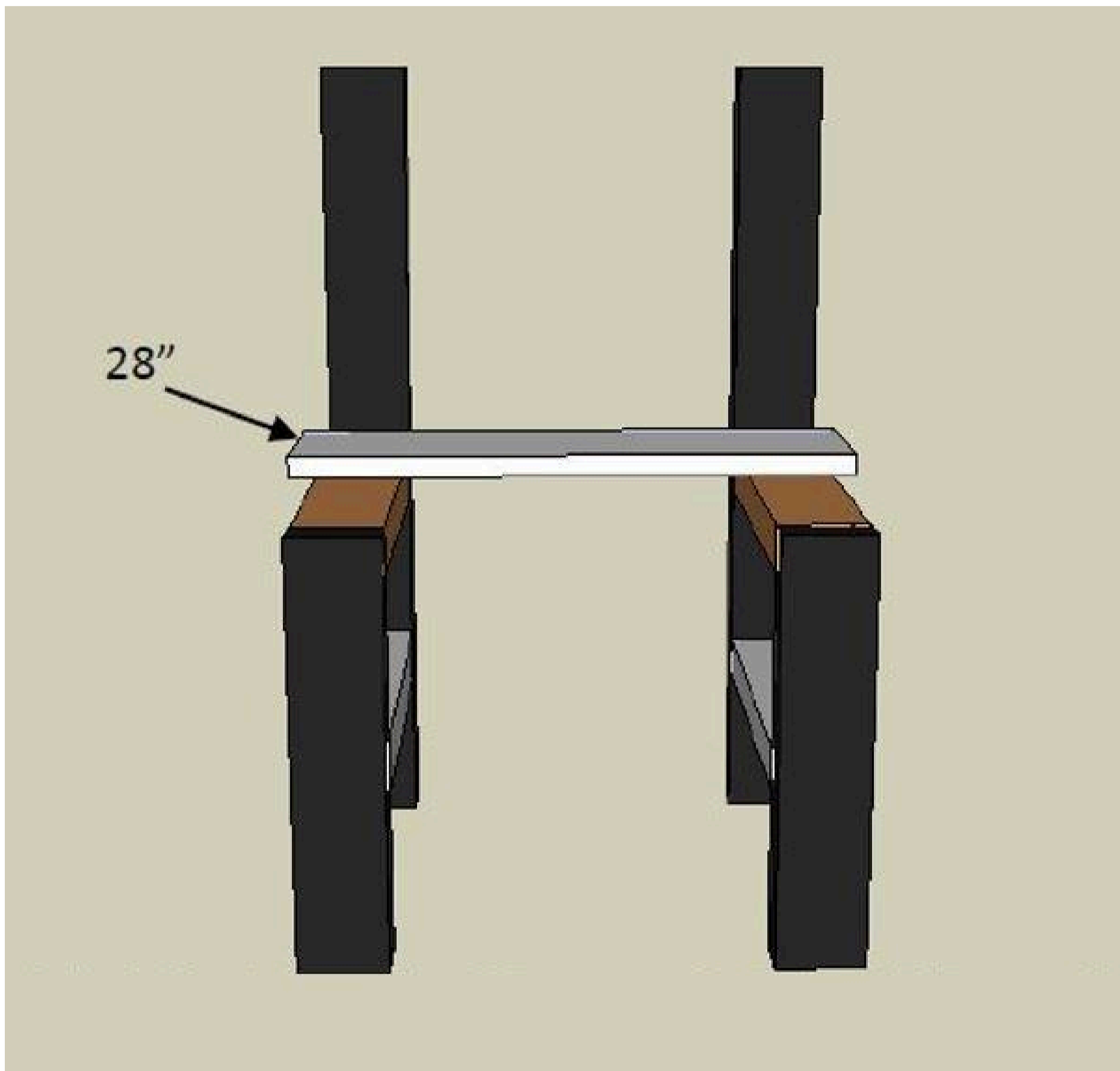
Add bottom braces to legs with 1 ½ pocket holes under 2x4 (white) using 2 ½ pocket screws



4

Add Bottom Seating

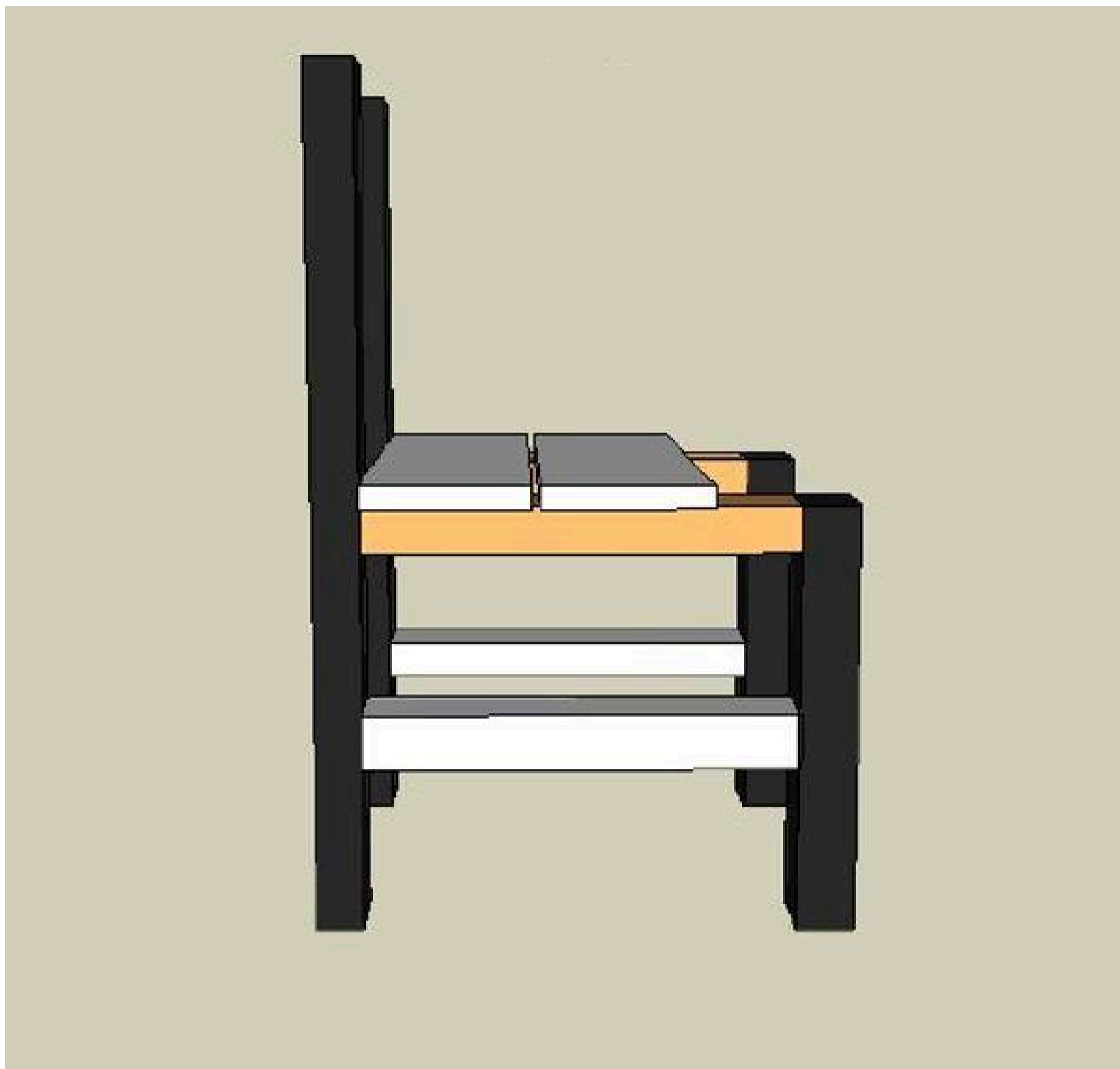
Add 1x6 to legs using 2" screws. 1x6 should hang off the edge of the legs by a 1/2 inch. 1x6 should be flush with back.



5

Add Additional Seating

Add the additional 1x6's using 2" screws and leave 1/8 of space in between each piece.



6

Add Back Seating

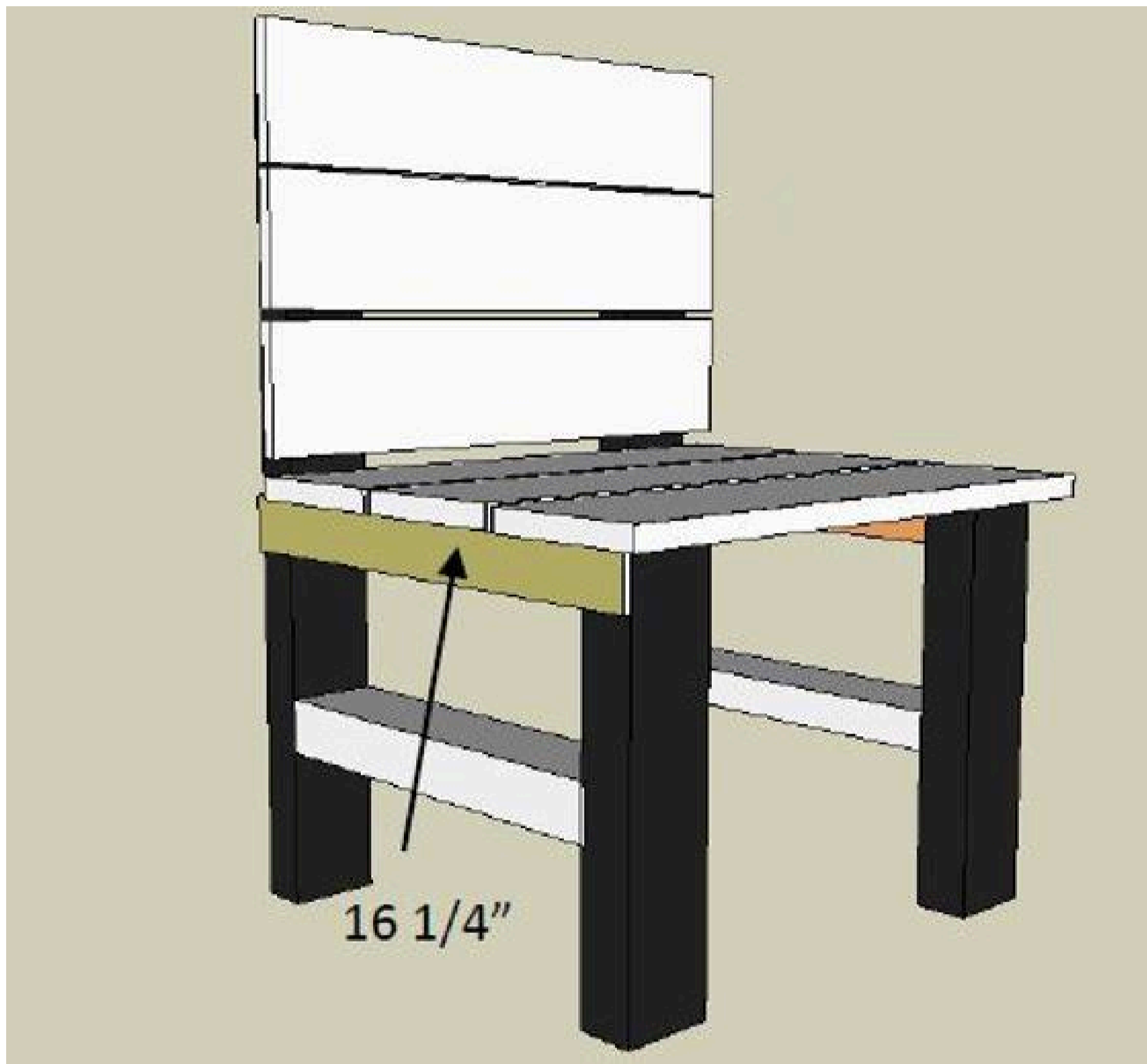
Add 1x6's to the back using 2" screws leaving 7/8" of space in between.



7

Add Side Under Seating

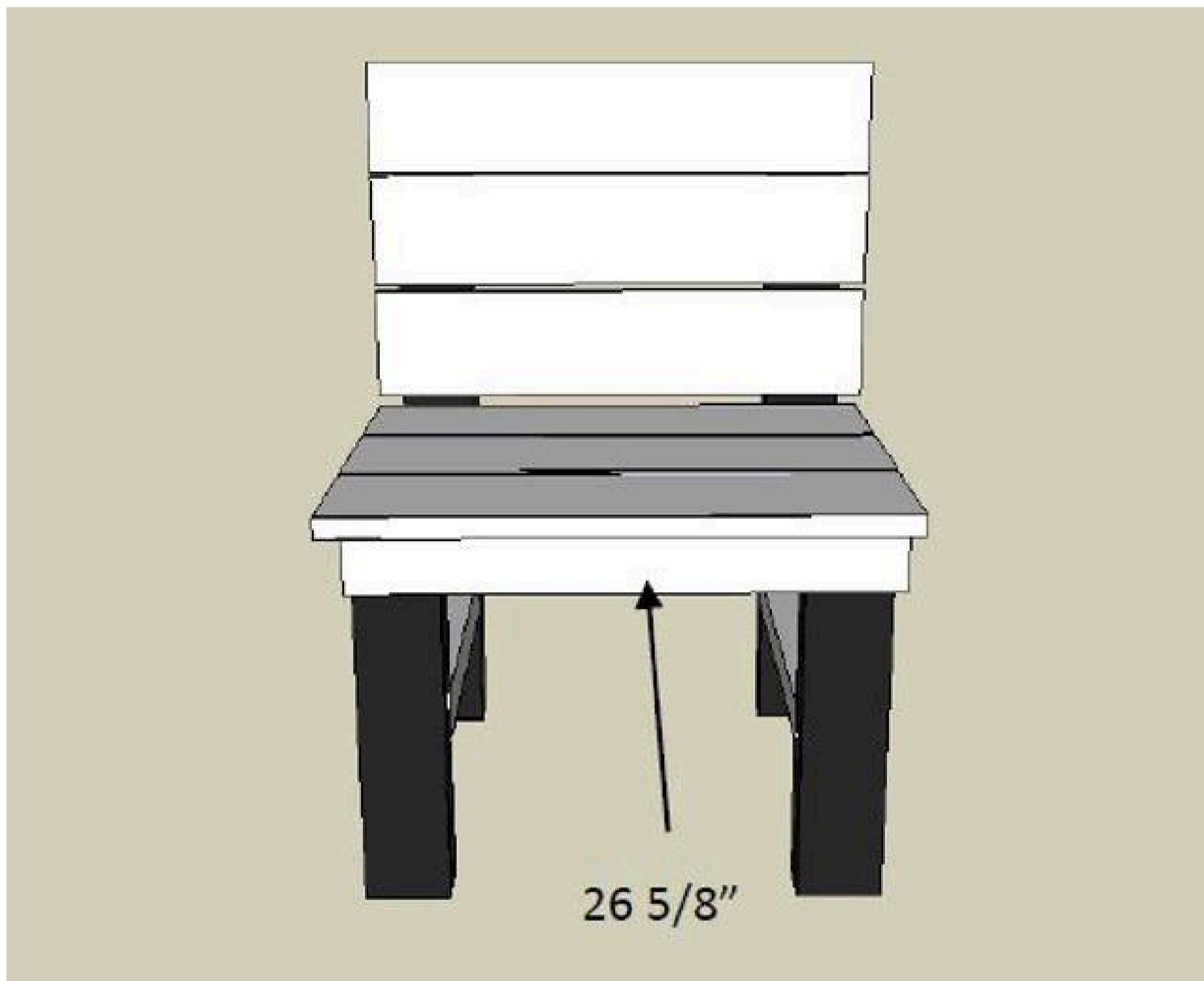
Add 1x4's on the sides of the bench with 2" screws into the 2x4 legs.



8

Add Front Under Seating

Add the front 1x4 under the seat using 2" screws into the 2x4 legs.



9

Visit Handmade-Haven.com

For more free plans, projects and more!

Visit www.Handmade-Haven.com



Handmade
HAVEN
“A Lasting Value”