

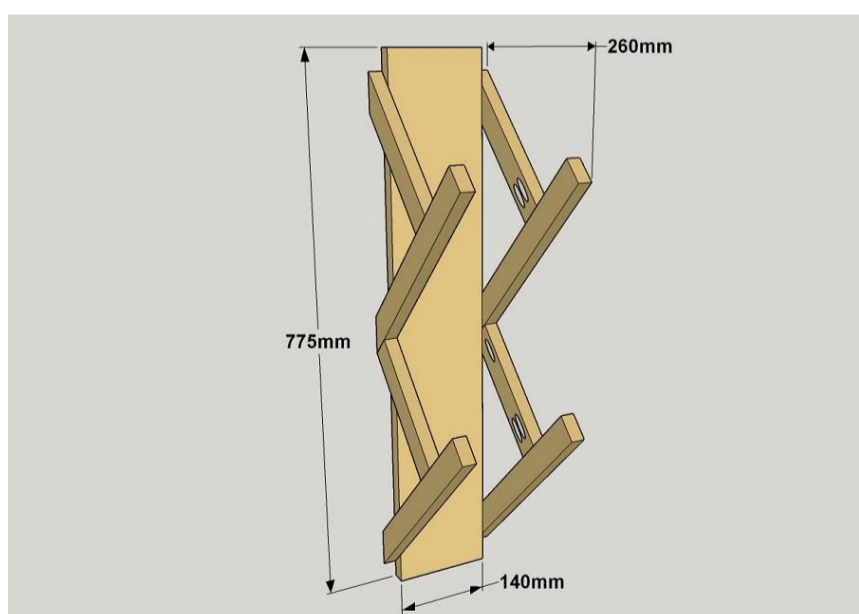
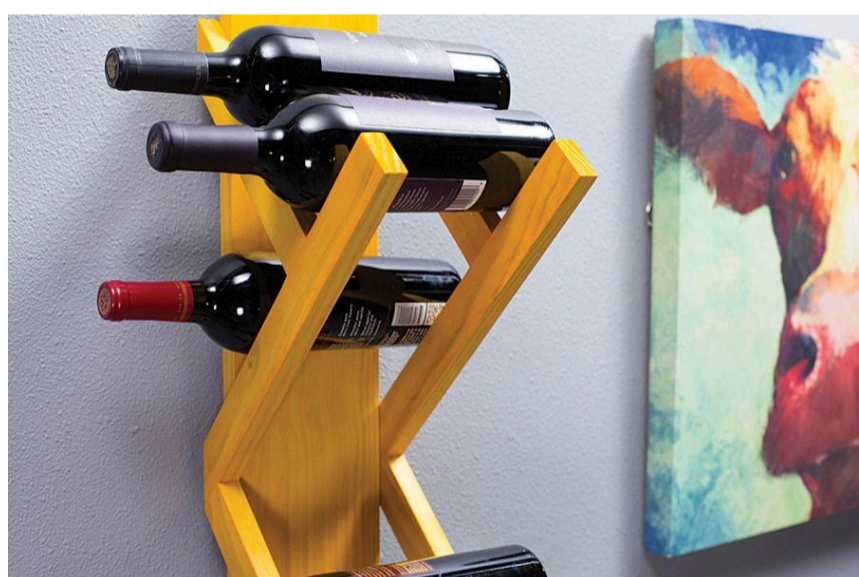
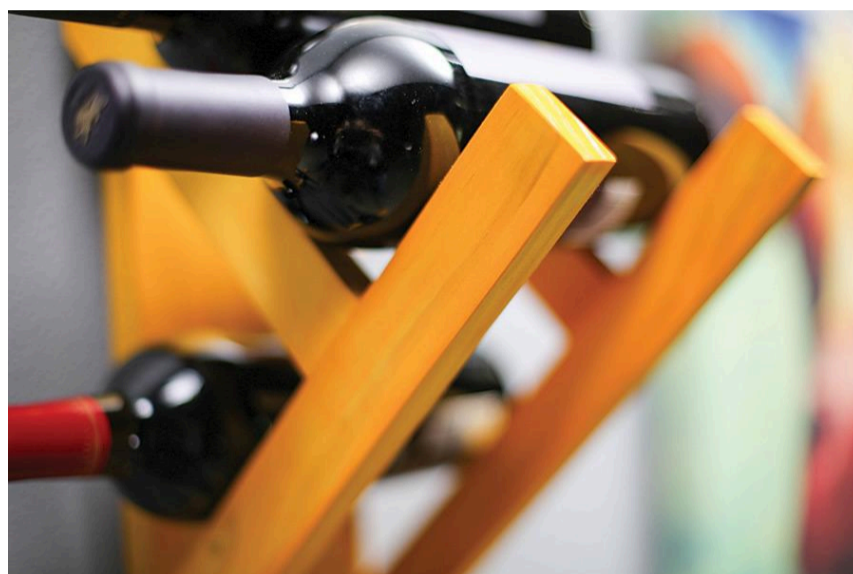
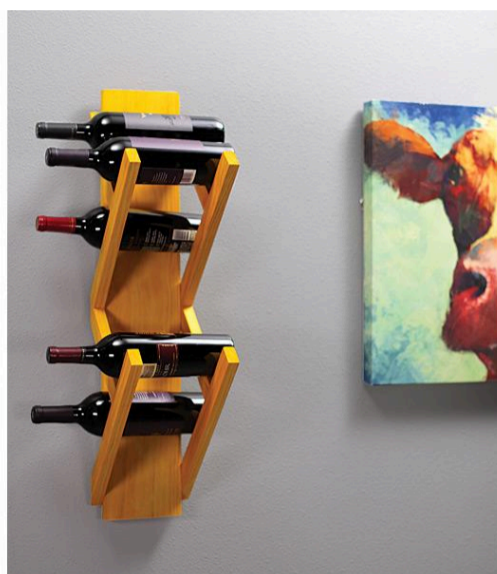
Wall-Mounted Wine Rack – Metric

By **Kreg Tool**

Difficulty

Easy

Keep a few of your favorite bottles of wine on hand with this wall-mounted wine rack. The clever design stores up to six bottles in a way that also adds fun decor to your dining area or kitchen. It's made from just a few boards and a couple dozen pocket-hole screws, so you can make one in no time.



Tools

Kreg Tools



[Kreg® Pocket-Hole Jig 720](#)

Other Tools

Miter Saw

Square

Tape Measure

Drill (cordless)

Sander

Materials

Wood Products

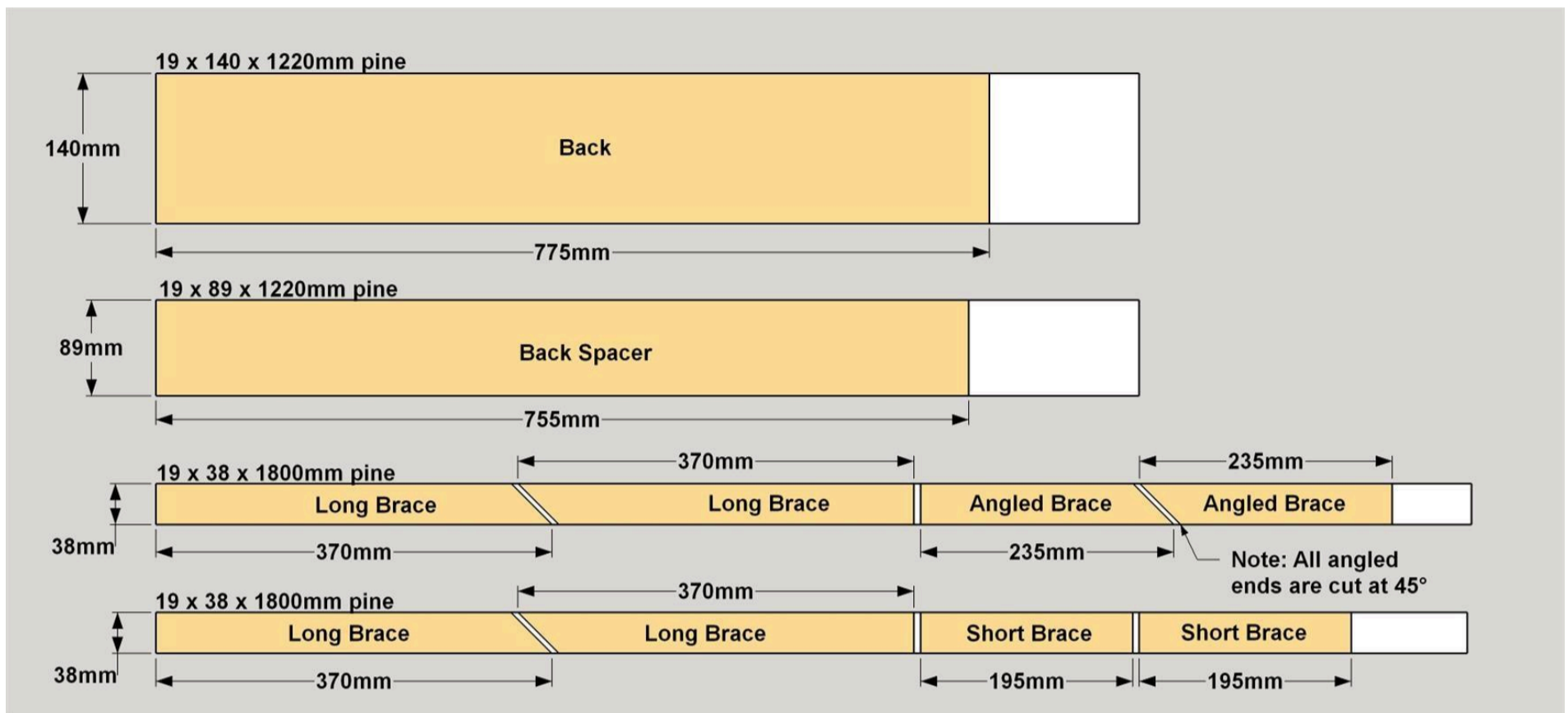
- 1 Board , 19mm X 140mm , 1200mm
- 1 Board , 19mm X 89mm , 1200mm
- 1 Board , 19mm X 38mm , 1800mm

Hardware & Supplies

- 22 Kreg 32mm Coarse-thread Pocket-hole Screws
- 10 Kreg Pine Pocket-hole Plugs
- 1 Wood Glue
- 2 5 X 90mm Flathead Wood Screws

Cut List & Parts

- 1 Back , 19 X 140 X 775mm Pine
- 4 Long Brace , 19 X 38 X 370mm Pine
- 2 Angled Brace , 19 X 38 X 235mm Pine
- 2 Short Brace , 19 X 38 X 195mm Pine
- 1 Back Spacer , 19 X 89 X 755 Pine

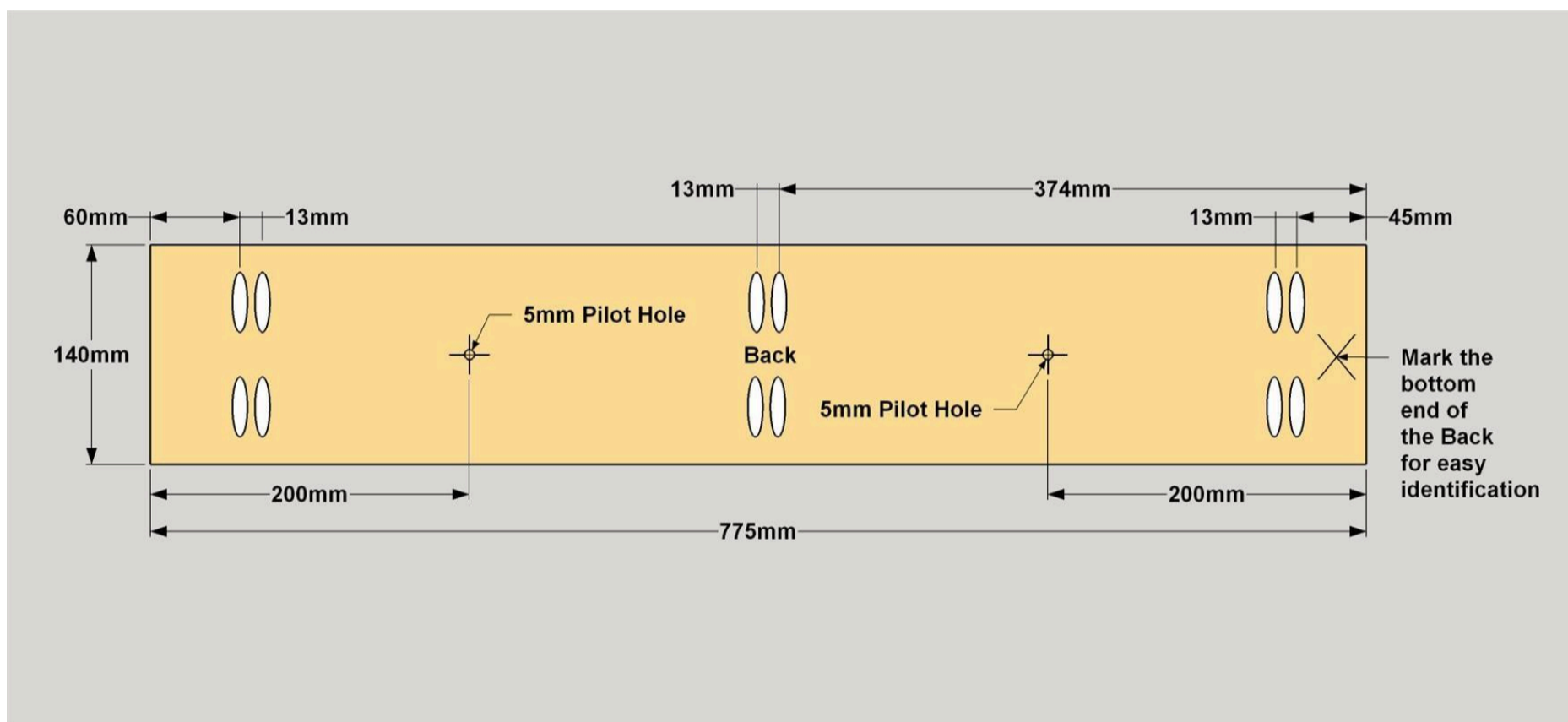


Directions

1

Make the Back

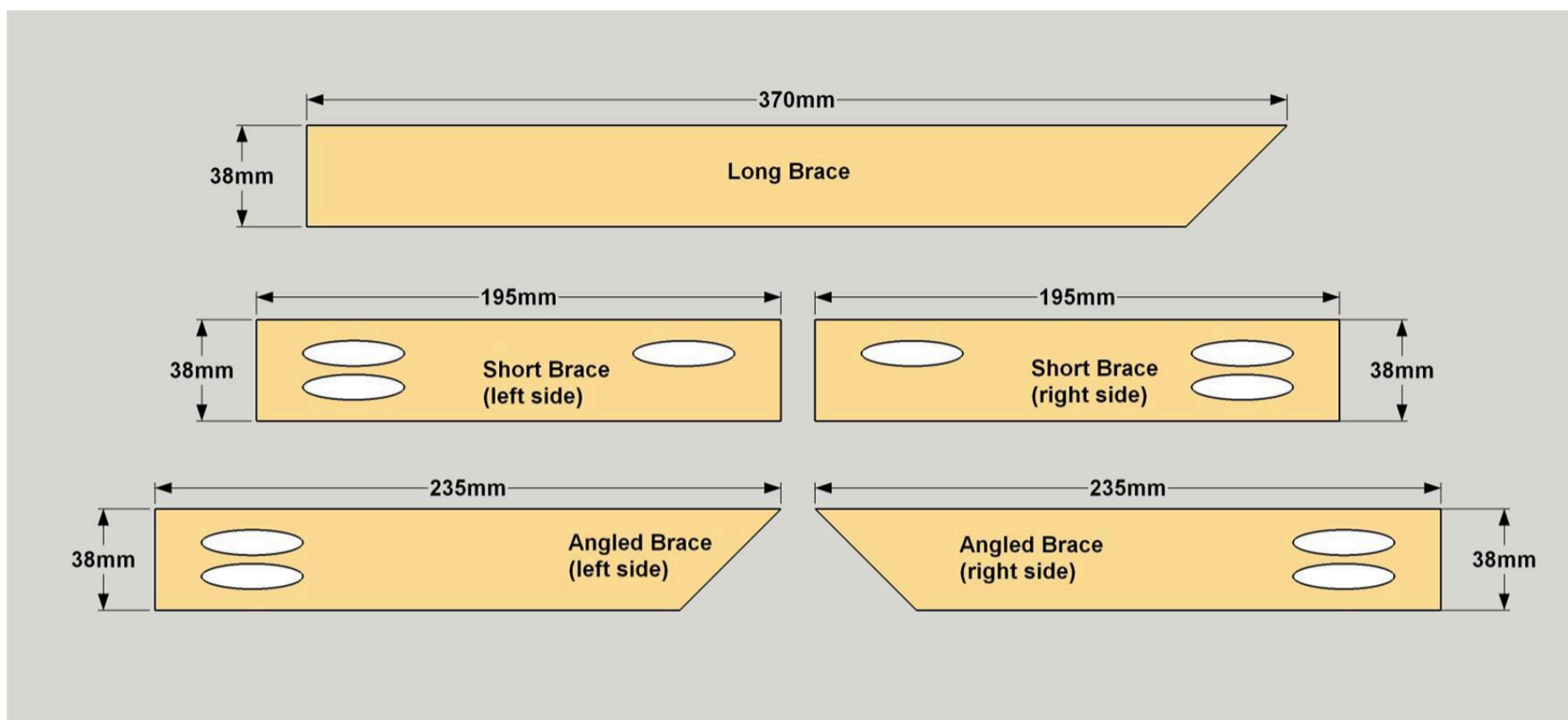
Cut one Back to length from 19x140mm pine, as shown in the cutting diagram. Set your pocket-hole jig for 19mm-thick material, and then drill pocket holes in the Back at the locations shown. With many projects, it doesn't matter if the pocket holes are positioned precisely. When you're drilling pocket holes in the Back, though, you want to pay close attention. That way, when you start final assembly of your wine rack, you know that everything will line up right. After drilling the pocket holes, drill two 5mm holes through the Back at the locations shown. These holes will be used to mount the Wine Rack to the wall in the final step. Sand the Back smooth.



2

Make the Braces

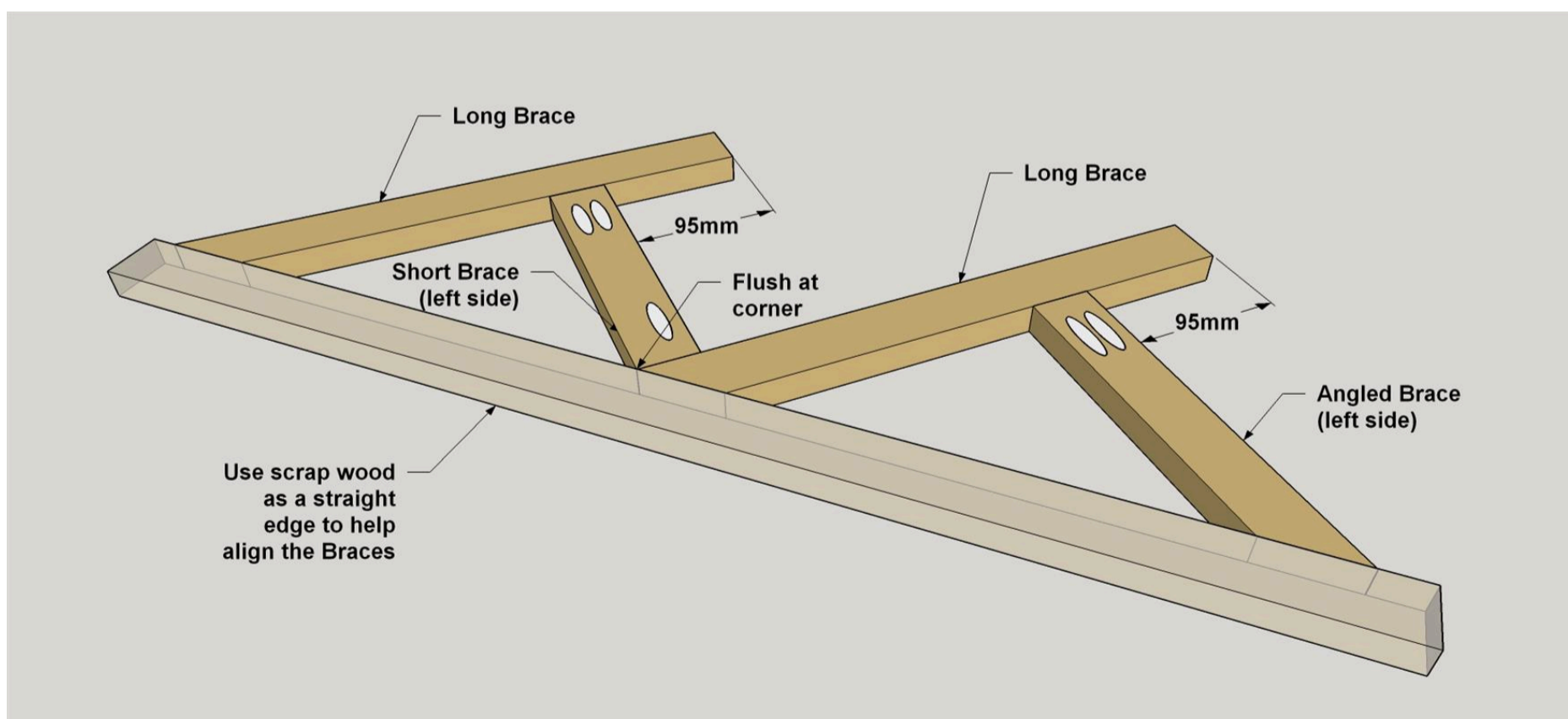
Next, cut four Long Braces and two Angled Braces from 19x38mm boards as shown in the cutting diagram. One end of each of these Braces is cut at 45°. Also cut Two Short Braces, making square cuts on each end of these. Next, you can drill pocket holes in the Angled Brace and the Short Braces, as shown. Make sure when you're drilling them that you create "mirror image" left and right pieces. That way, the pocket holes can all be located facing inward when you assemble the sides in the next step.



3

Assemble the Sides

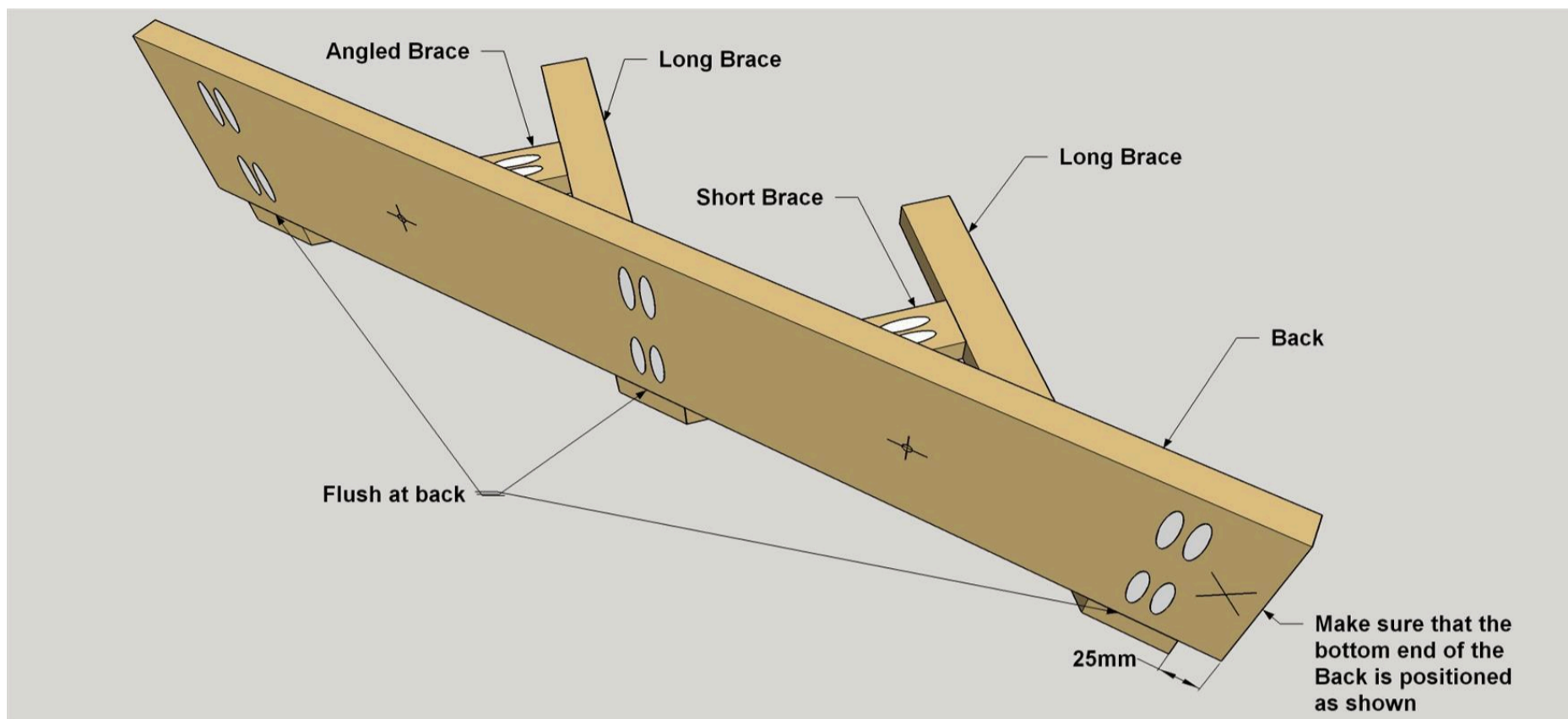
Now you can create a pair of side assemblies. Lay out two Long Braces, as well as the left side Angled Brace and Short Brace, as shown. Use a piece of scrap wood to help with alignment. Glue each joint (but don't glue the assembly to the alignment board), and then secure the pieces using 32mm pocket-hole screws. See the tip to help you decide on the correct screws. Repeat the process to put the right side assembly together. If you want to cover up the pocket holes, now is a good time to fill them with pocket-hole plugs. Glue the plugs into the holes, and let the glue dry. After that, trim the plugs flush with the wood surface, and then sand the side assemblies smooth.



4

Attach the Back to One Side

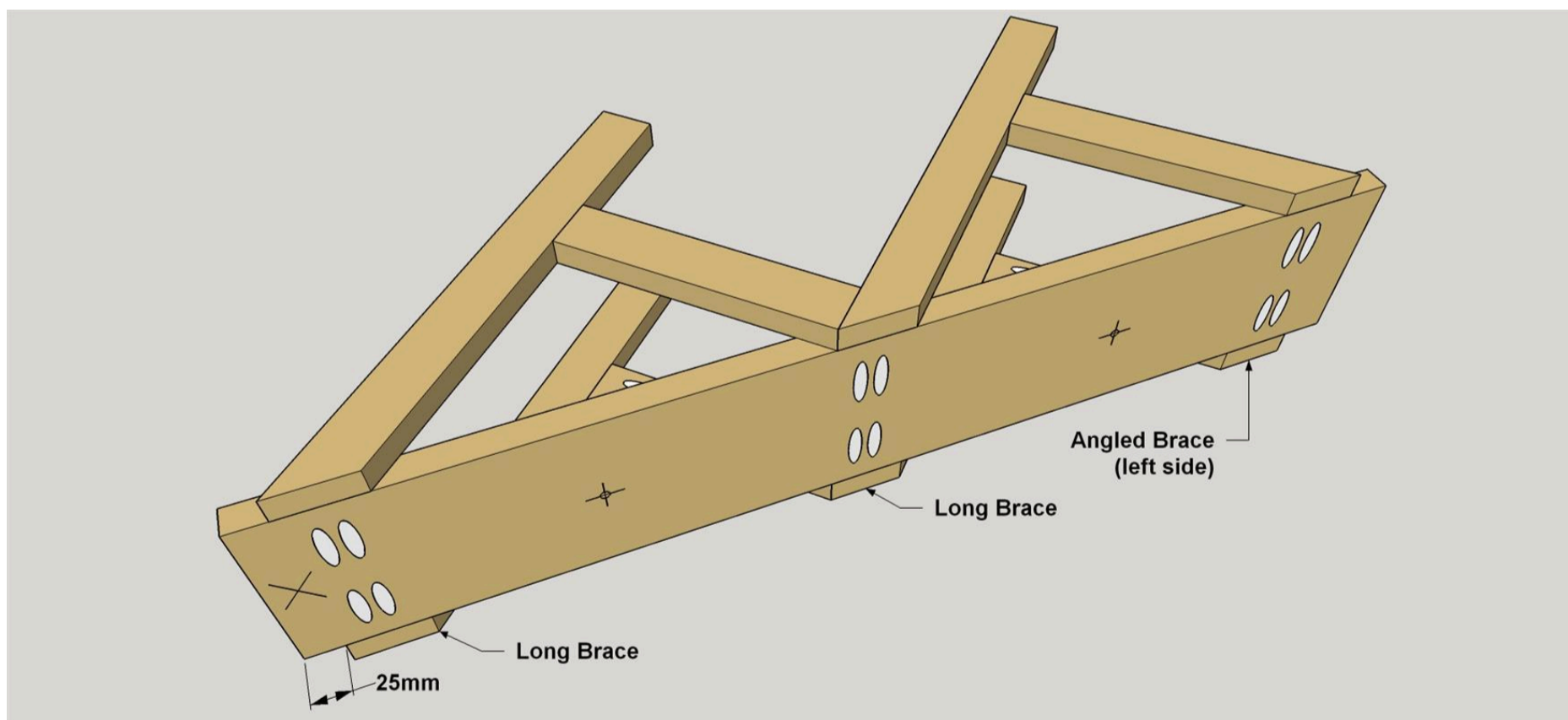
Lay one of the side assemblies (the right is shown) and position the Back on the assembly as shown. Make sure that the bottom end of the Back is positioned correctly—the pocket holes are located closer to the end at the bottom than at the top. Also make sure that the Back is flush with the angled end of each brace. Apply glue, and then secure the Back to the side assembly using 32mm pocket-hole screws.



5

Attach the Second Side

Flip the partially-assembled wine rack over, and repeat the previous step to secure the second side assembly to the back. Make sure that the side assemblies are oriented correctly and aligned.



6**Add a Back Spacer and Finish**

Cut a Back Spacer to length from a 19 x 89mm board, as shown in the cutting diagram. Sand the Spacer smooth. Apply glue to one face of the spacer, center it on the Back, as shown, and then secure it in place with clamps while the glue dries. Using the pilot holes in the Back as guides, drill the pilot holes the rest of the way through the Spacer. Then you can paint or stain your wine rack to suit your taste. We used a bold yellow stain.

