

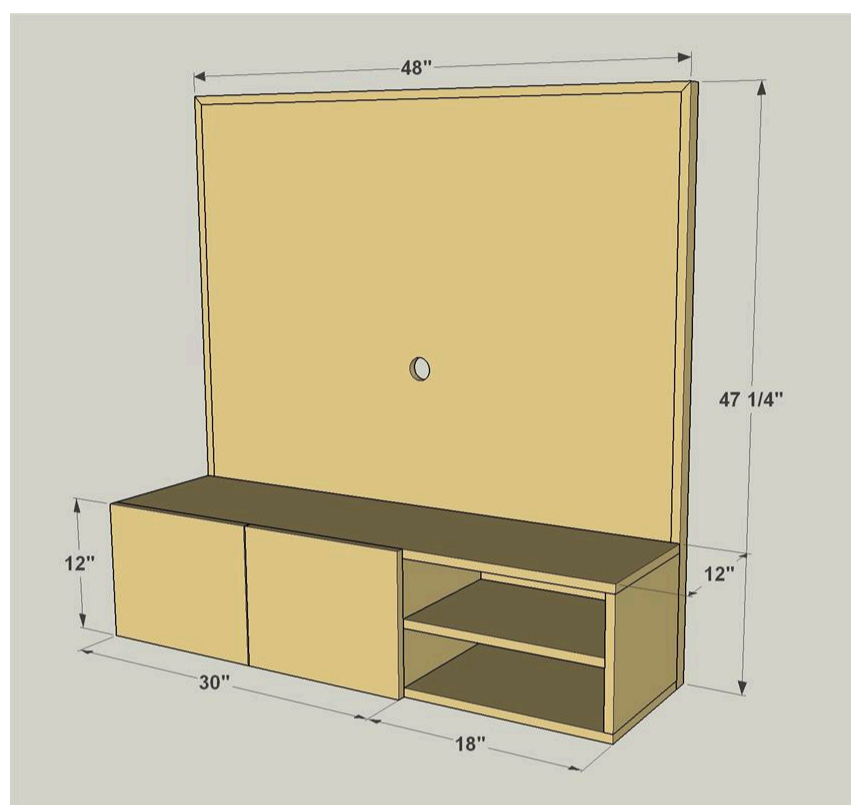
Wall-Mounted Media Cabinet

By **Kreg Tool**

Difficulty

Advanced

This wall-mounted media cabinet takes a new approach to the “entertainment center.” It hangs on the wall, allowing you to mount your TV to it, and then keep small media components on the shelves below. Wires hide behind the back panel. The cabinet is designed to hold a at TV as large as 50”.



Tools

Kreg Tools



[Kreg® Pocket-Hole Jig 720](#)

Other Tools

Circular Saw (cordless)

Miter Saw

Tape Measure

2 Inch Hole Saw

Drill (cordless)

Right-Angle Drill Attachment

Sander

Tape Measure

Iron

Materials

Wood Products

2 Board , 1x2 , 96"

1 Board , 1/2 X 2 , 36"

1 Plywood , 3/4" X 48" X 96" , Full Sheet

Hardware & Supplies

35 1 1/4" Coarse-thread Pocket-hole Screws

1 Roll Iron-on Edging

7 #8 X 1" Flathead Woodscrews

1 18" Hangman Picture Hanging System

4 Full-overlay Cabinet Hinges

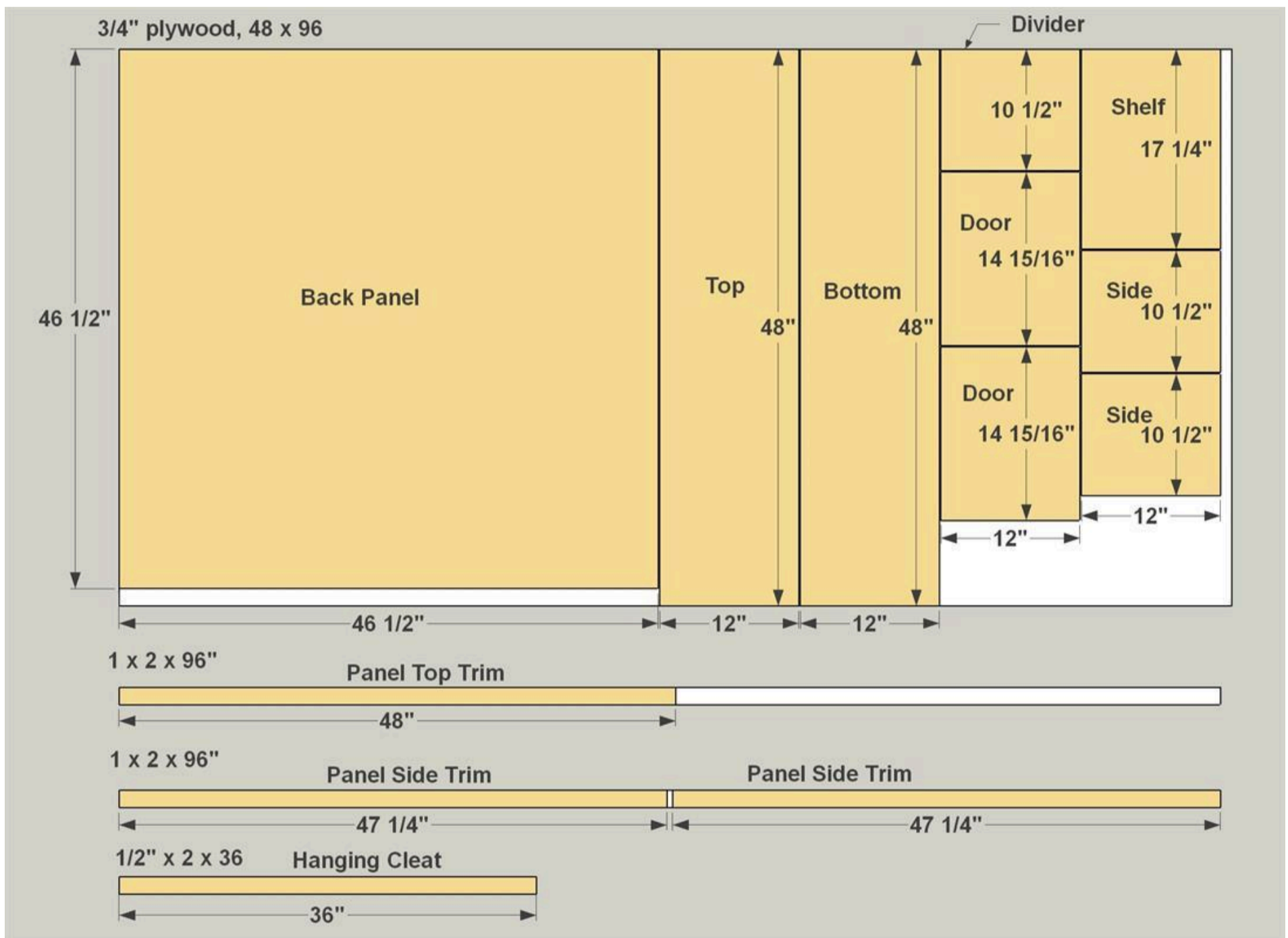
1 Wood Glue

1 Kreg Concealed Hinge Jig

15 1 1/4" Fine-thread Pocket-hole Screws

Cut List & Parts

- 1 Back Panel , 3/4" X 46 1/2" X 46 1/2" Oak Ply
- 1 Panel Top Edging , 3/4" X 1 1/2" X 48" Oak
- 2 Panel Side Edging , 3/4" X 1 1/2" X 47 1/4" Oak
- 1 Case Top , 3/4" X 12" X 48" Oak Ply
- 1 Case Bottom , 3/4" X 12" X 48" Oak Ply
- 2 Case Sides , 3/4" X 10 1/2" X 12" Oak Ply
- 1 Case Divider , 3/4" X 10 1/2" X 12" Oak Ply
- 1 Case Shelf , 3/4" X 12" X 17 1/4" Oak Ply
- 2 Case Door , 3/4" X 12" X 14 15/16" Oak Ply
- 1 Hanging Cleat , 1/2" X 1 1/2" X 36" Ply

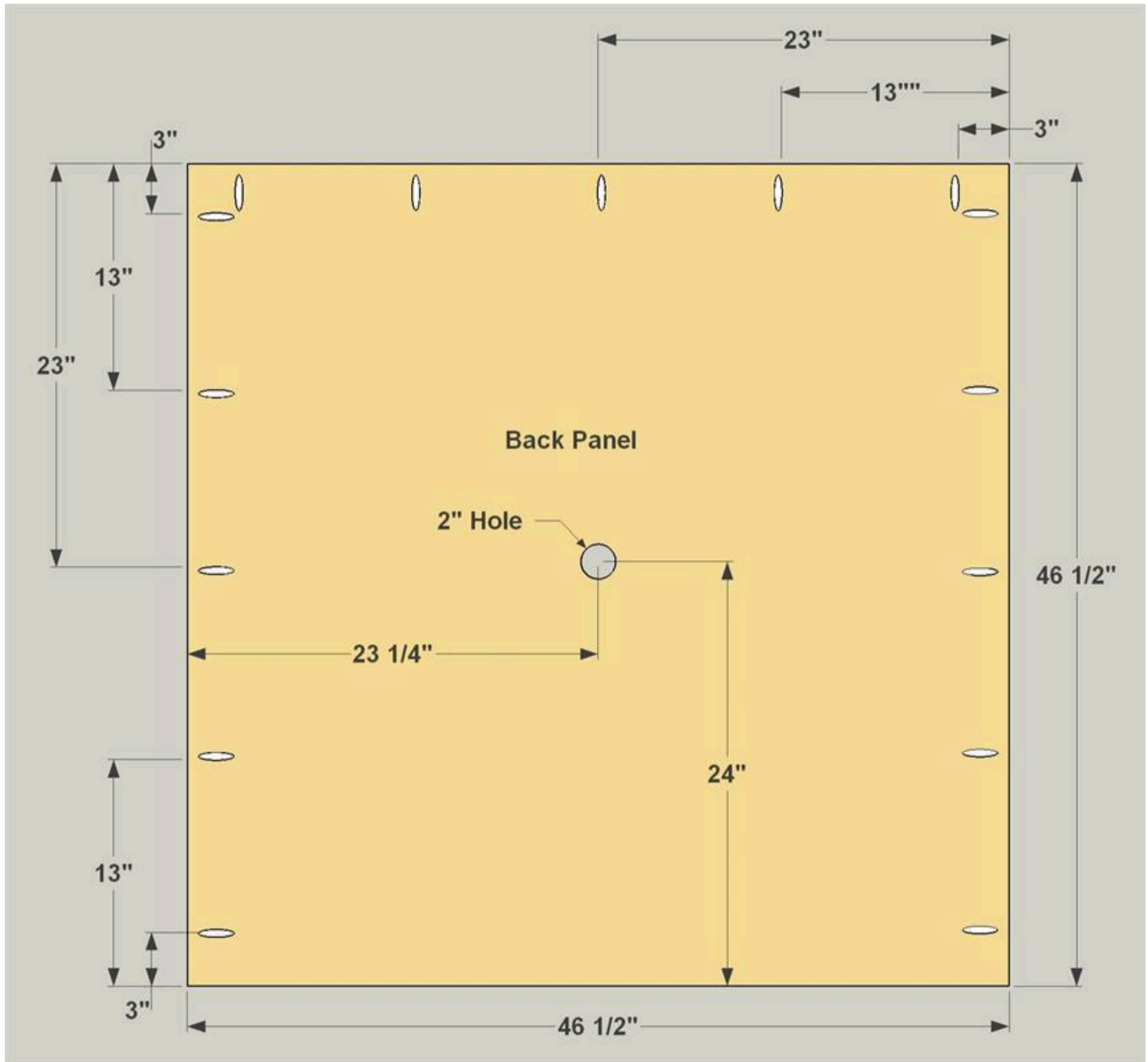


Directions

1

Create a Back Panel

Cut one Back Panel to size from a sheet of 3/4" plywood, as shown in the cutting diagram. Then, with your pocket-hole jig, set up for 3/4" material and drill pocket holes in the Back Panel, as shown. Before you drill the holes, check to see which face is the most-attractive, and then drill the holes in the other face. Also drill a 2-hole near the center for cords to pass through.



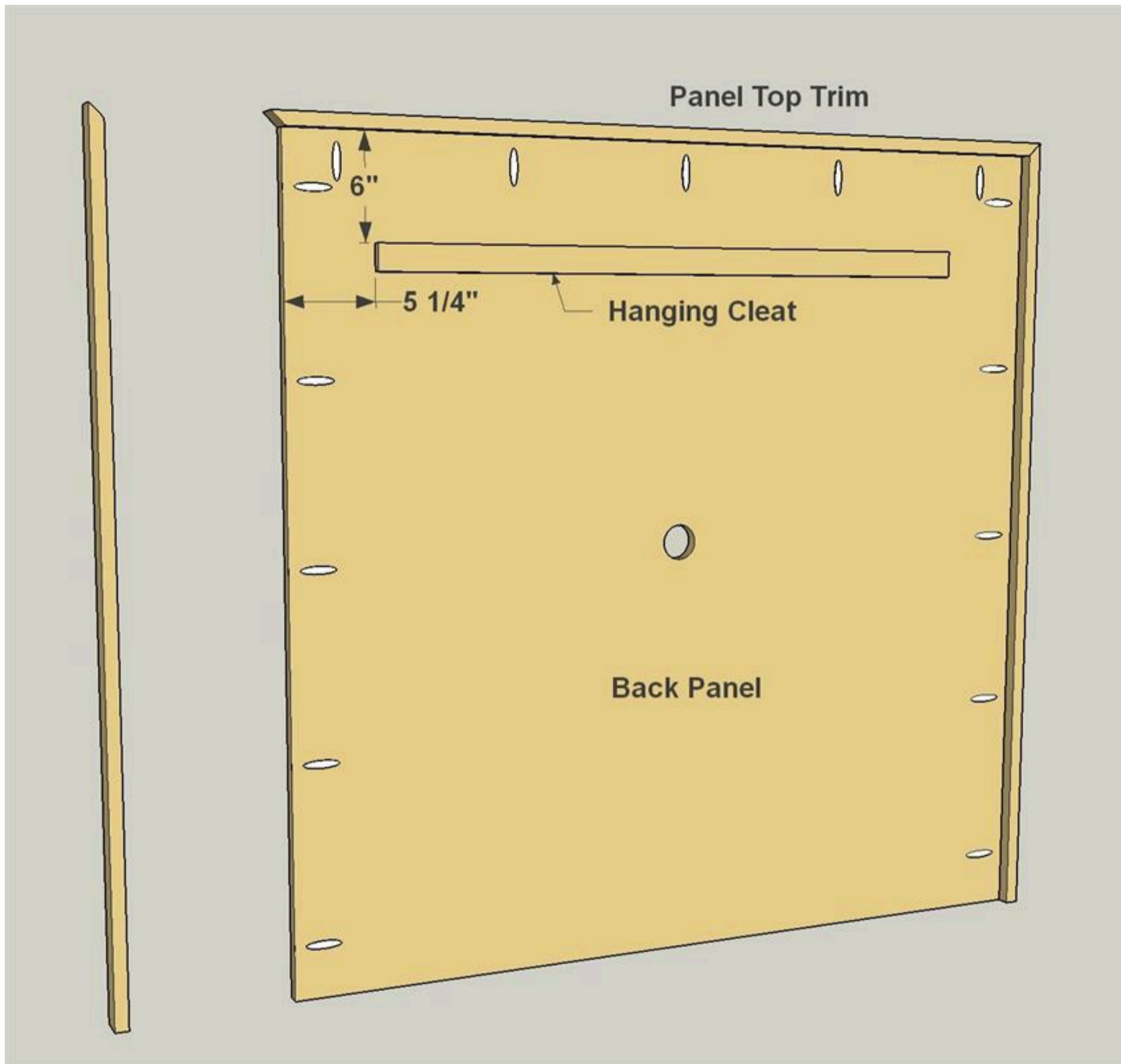
2**Cut Panel Trim**

Cut one Panel Top Trim to length from a 1x2 board with both ends cut at 45°, as shown in the cutting diagram. Also cut two pieces of Panel Side Trim to length, cutting one end of each at 45°, and the other end square.



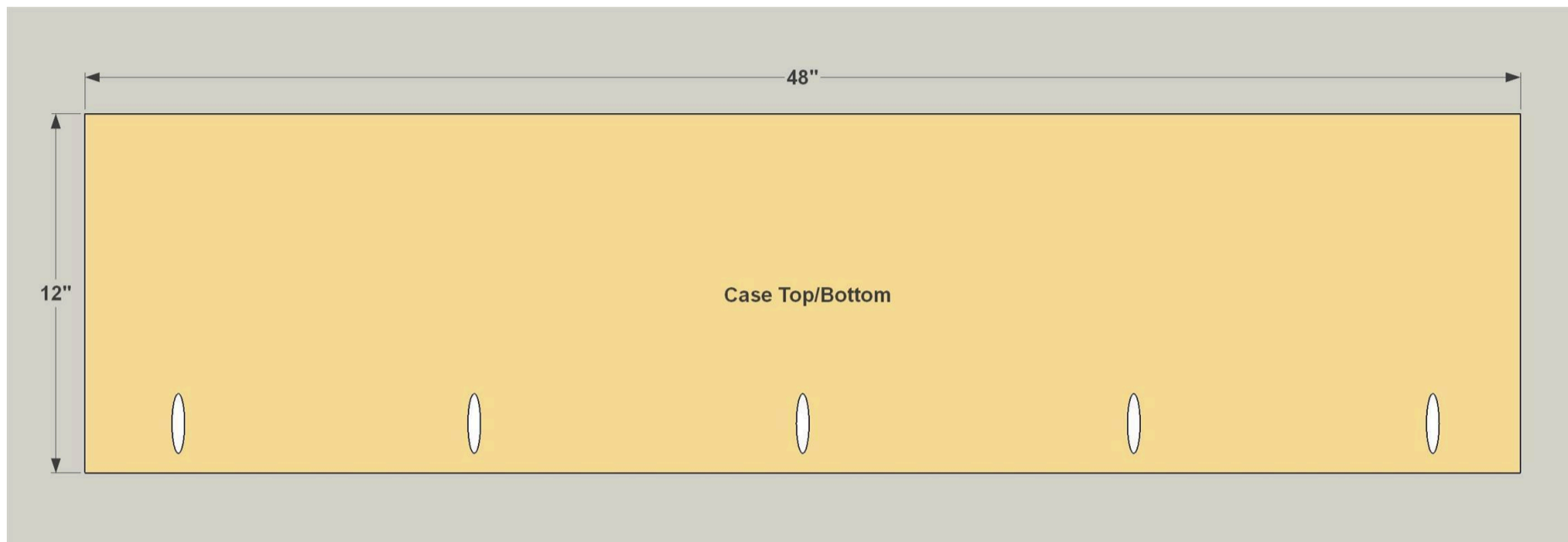
3**Add the Trim and a Cleat**

After sanding the Trim pieces, you can attach them to the Back Panel using 1 1/4" fine-thread pocket-hole screws, as shown. Also attach a Hanging Cleat to the backside of the panel using #8 x 1" flat-head screws.



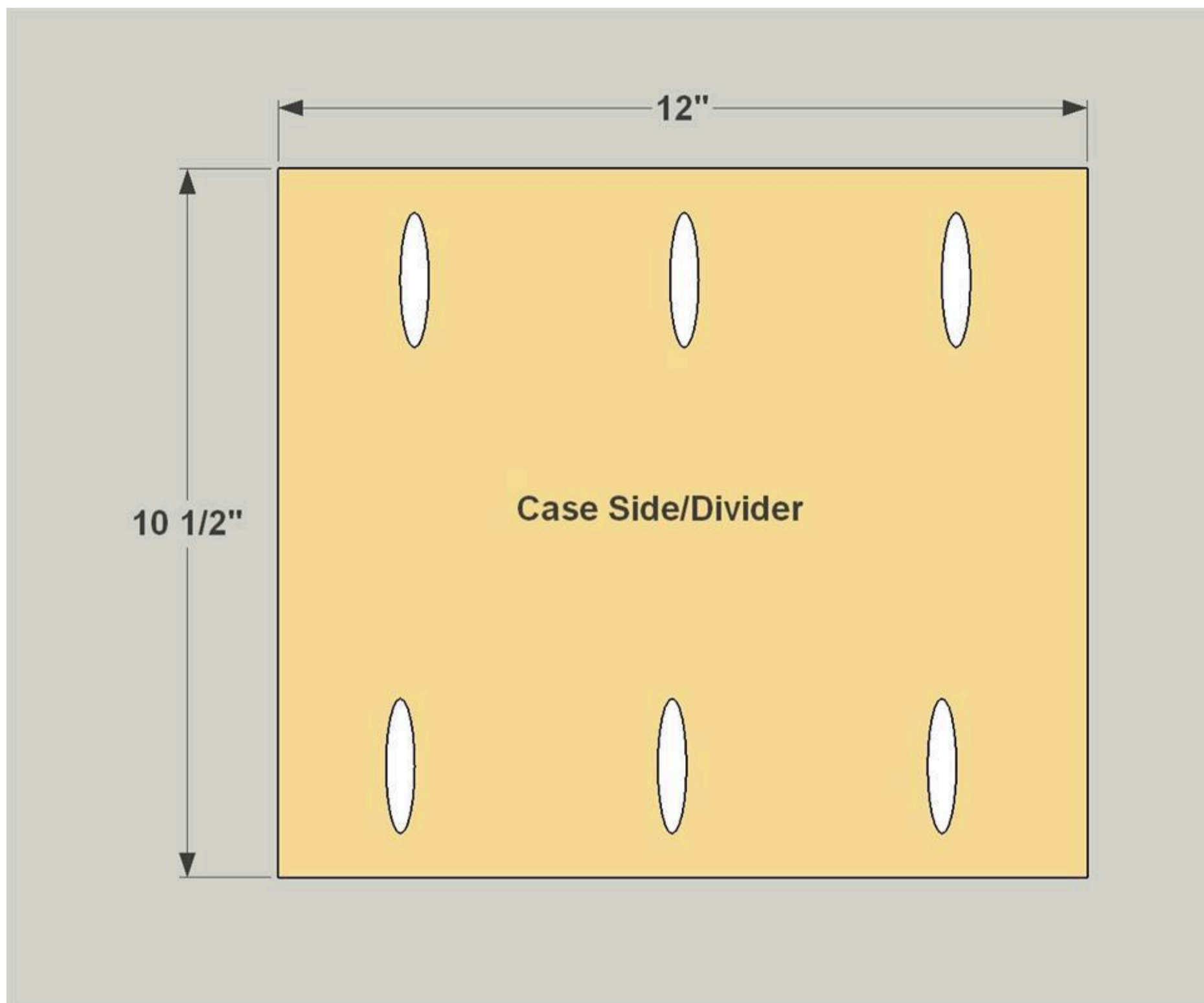
4**Make a Case Top and Bottom**

Cut one Case Top and one Case Bottom to size from a sheet of 3/4" plywood, as shown in the cutting diagram. Then, with your pocket-hole jig, set up for 3/4" material and drill pocket holes in the Top and Bottom, as shown.



5**Create Sides and a Divider**

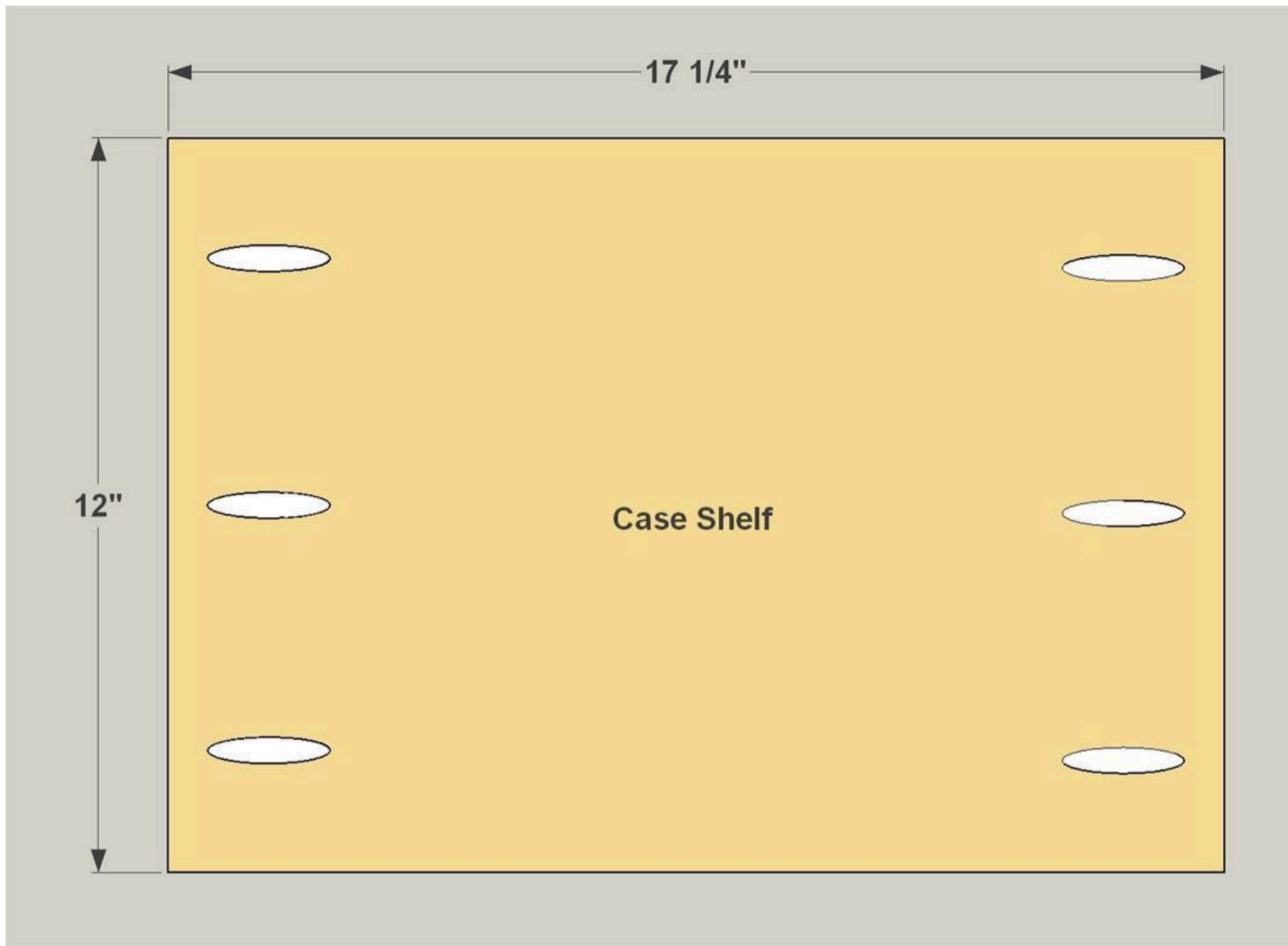
Cut two Case Sides and one Case Divider to size from a sheet of 3/4" plywood, as shown in the cutting diagram. Then, with your pocket-hole jig, set up for 3/4" material and drill pocket holes in the Sides and Divider, as shown. Before you drill the holes, check to see which face is the most-attractive, and then drill the holes in the other face.



6

Add a Shelf

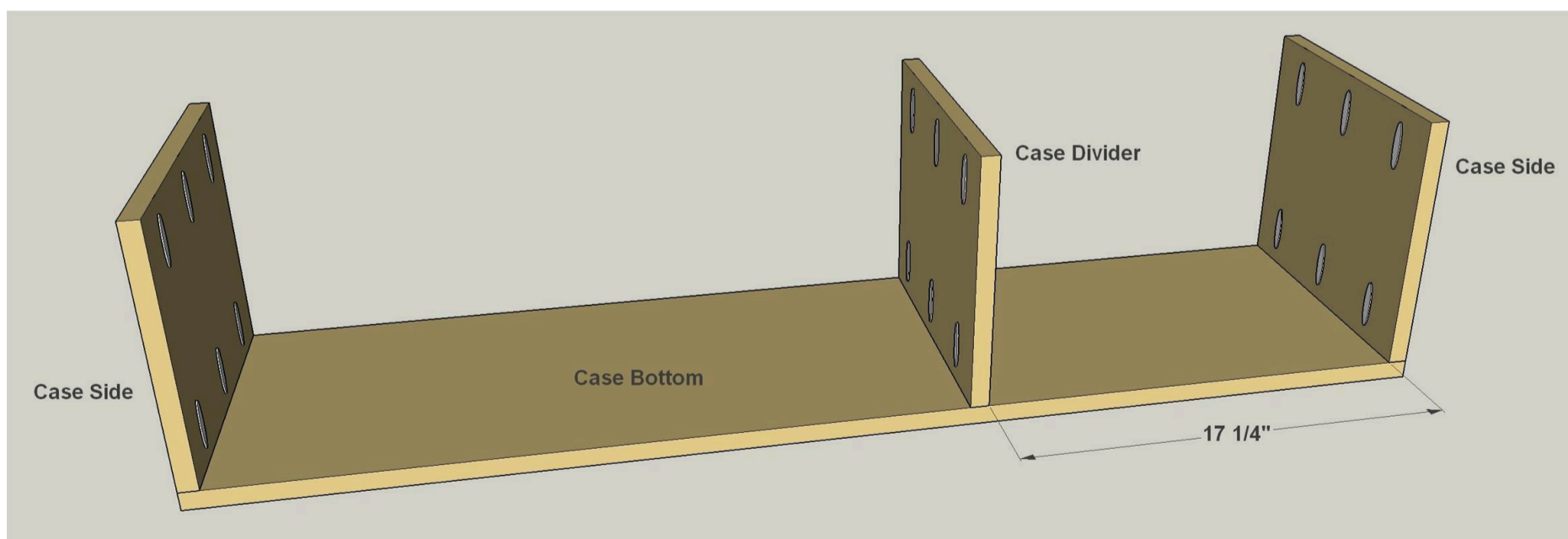
Cut a Case Shelf to size from a sheet of 3/4" plywood, as shown in the cutting diagram. Then, with your pocket-hole jig, set up for 3/4" material, drill pocket holes as shown.



7

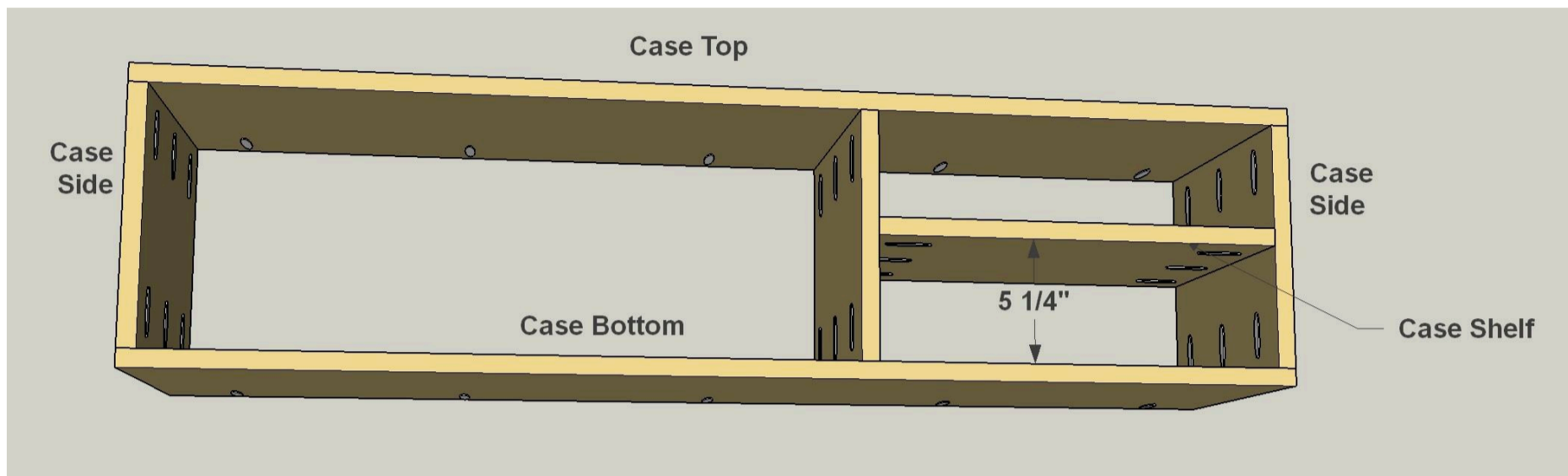
Start Case Assembly

Lay out all of the case parts so you can identify the front edges that will be visible. Cover those edges with iron-on edging. Then, attach the Case Sides and Divider to the Case Bottom using 1 1/4" coarse-thread pocket-hole screws, as shown.

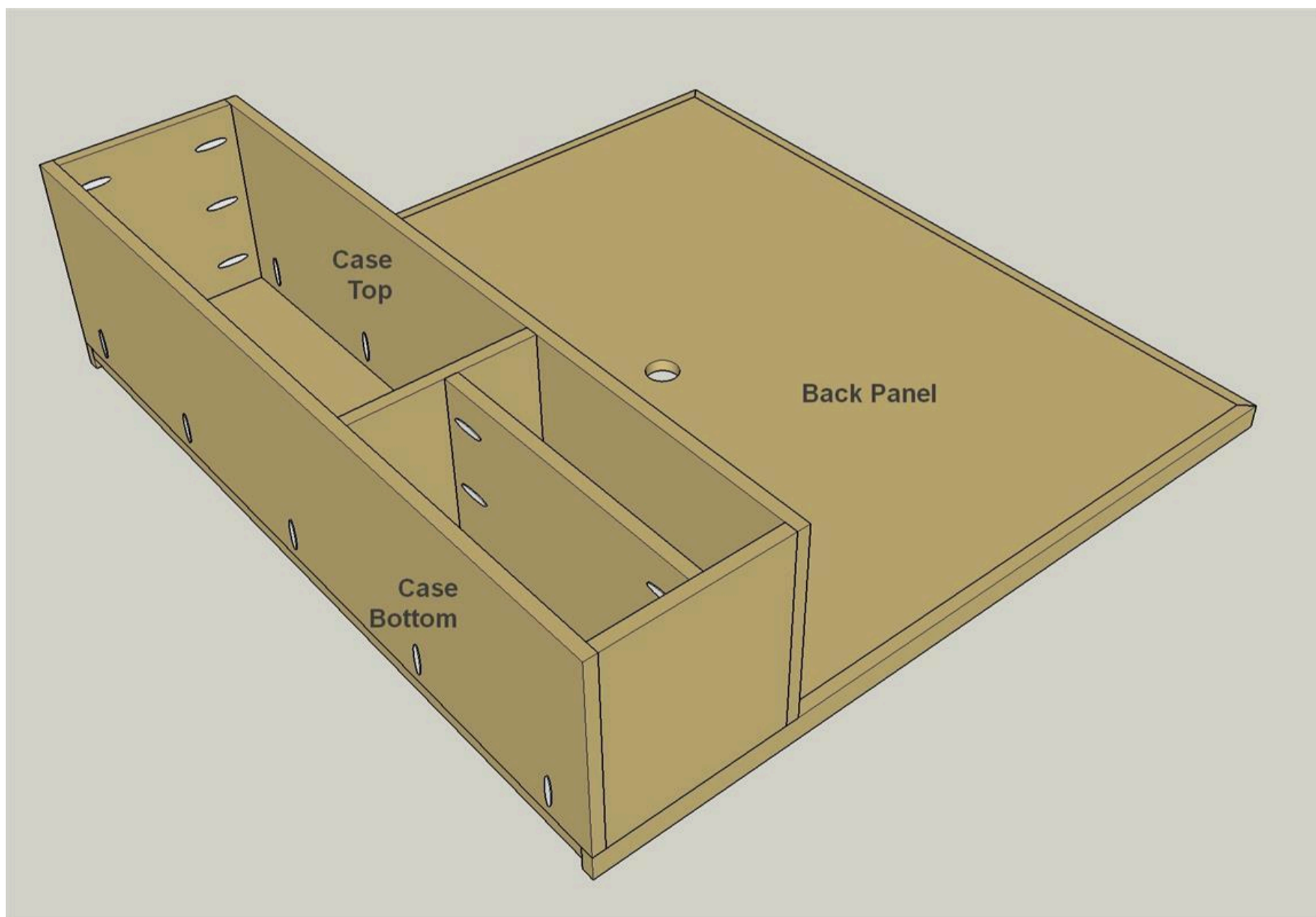


8**Complete Case Assembly**

Now you can attach the Case Shelf and the Case Top using 1 1/4" coarse-thread pocket-hole screws, as shown. Because of the tight quarters, you may need to use a right-angle attachment on your drill, as well as a short #2 square-drive bit. You can pick up both at your local home center.

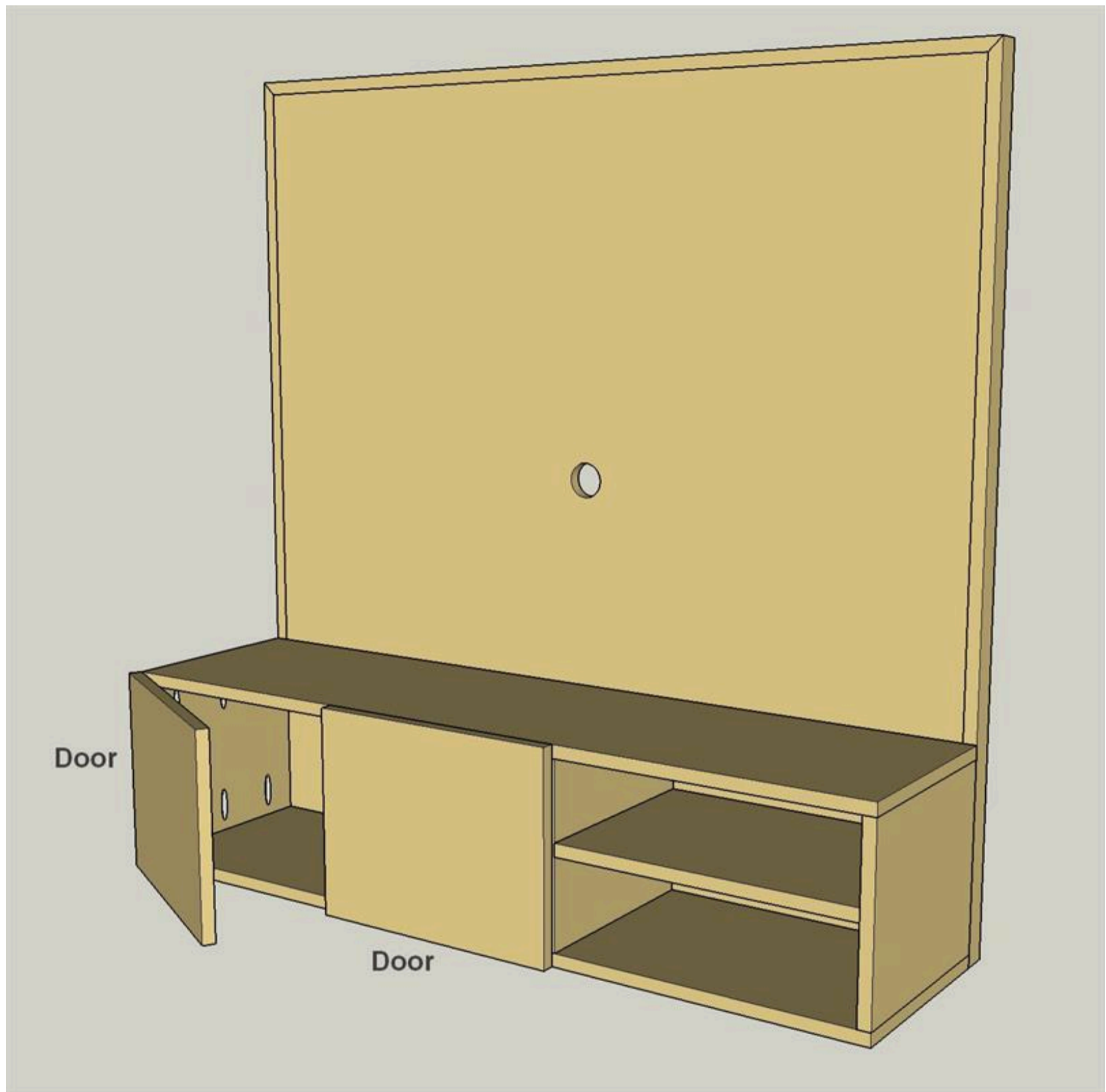
**9****Attach the Case**

With the case complete, you can attach it to the Back using 1 1/4" coarse-thread pocket-hole screws, as shown.



10**Add Doors if Desired**

If you want to enclose the left-hand side of the case, cut two Doors to size from 3/4" plywood, as shown in the cutting diagram. Then iron on edging to all four edges. Finally, mount the doors using full-overlay cabinet door hinges. Then you can stain, finish, or paint the cabinet to fit into your decor.

**11****Mount the Cabinet**

Before mounting the cabinet to the wall, determine the components that you plan to keep in the case. The compartments are large enough for compact items like satellite boxes and Blue-Ray players. Then, drill any necessary holes through the back panel to allow cords to pass through. After that, mount the cabinet on your wall by attaching the hanging system to the Hanging Cleat and to the wall according to the manufacturer's instructions.