

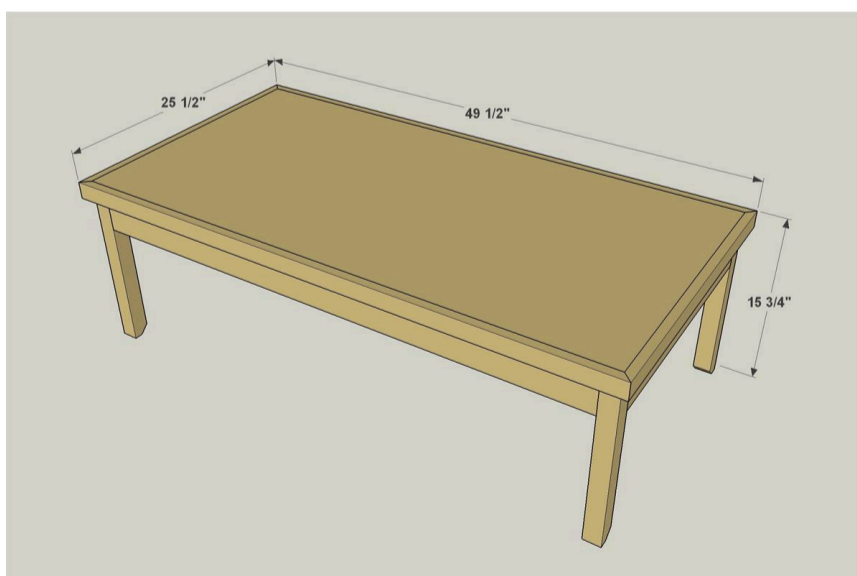
# Super-Simple Coffee Table

By **Kreg Tool**

Difficulty

Easy

Even if you've never built furniture before, you can create this coffee table. Start with a quarter sheet of plywood, cut some dimensional lumber to length with a miter saw, and put it all together using pocket-hole joinery. Then kick back, relax, and enjoy your new table and your newfound skills.



## Tools

### Other Tools

Miter Saw

Tape Measure

Drill (cordless)

Wood Glue

Sander

## Materials

### Wood Products

**2** Board , 2x2 , 36"

**1** Board , 1x3 , 48"

**1** Board , 1x4 , 48"

**1** Board , 1x4 , 96"

**2** Board , 1x2 , 96"

**1** Plywood , 3/4" Thick , Quarter Sheet

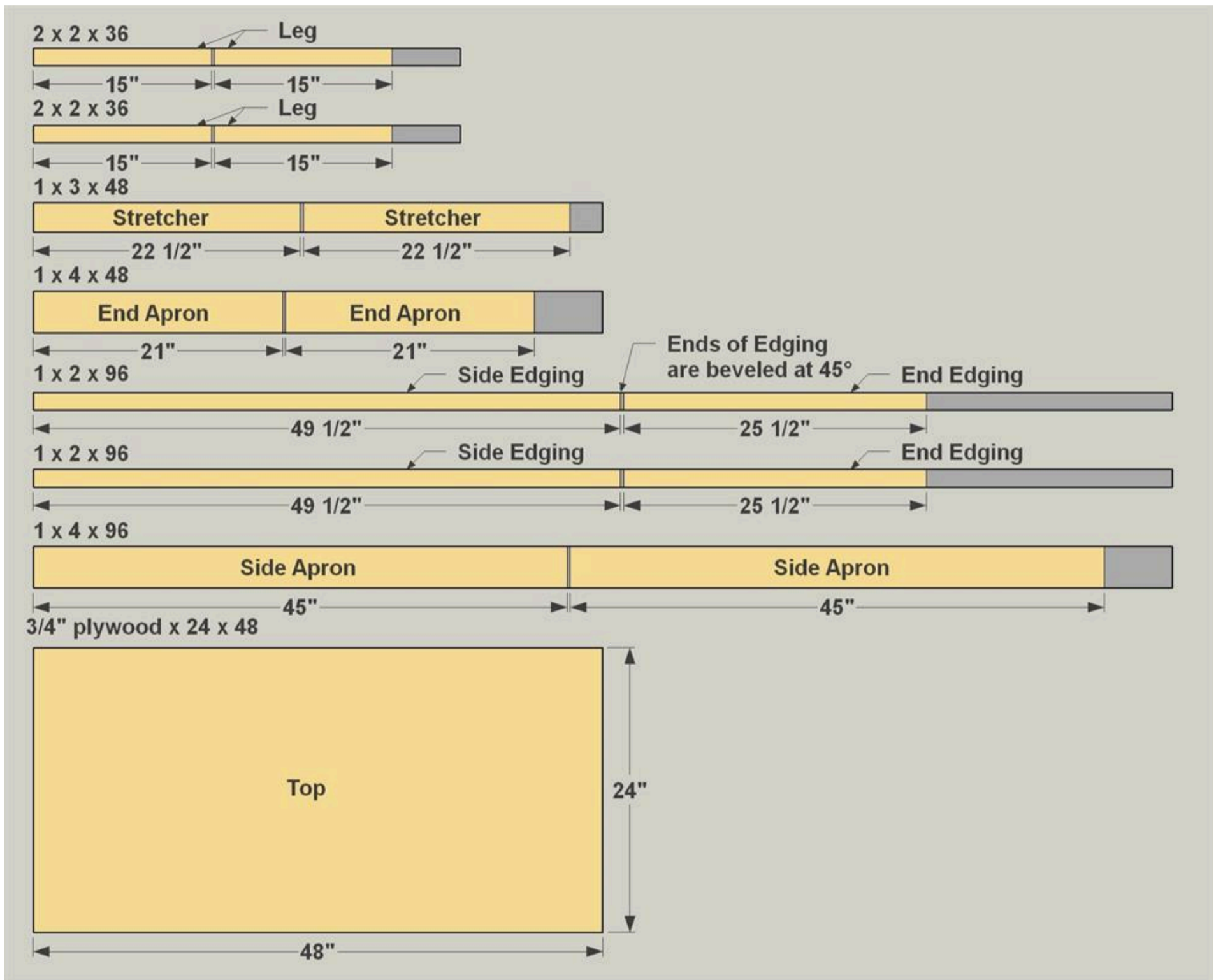
### Hardware & Supplies

**70** 1 1/4" Pocket Hole Screws

**1** Wood Glue

# Cut List & Parts

- 4 Legs, 1 1/2" X 1 1/2" X 15"
- 2 End Apron, 3/4" X 3 1/2" X 21"
- 2 Side Apron, 3/4" X 3 1/2" X 45"
- 2 Stretcher, 1 1/2" X 2 1/2" X 22 1/2"
- 1 Top, 3/4" Ply X 24" X 48"
- 2 Side Edging, 3/4" X 1 1/2" X 49 1/2"
- 2 End Edging, 3/4" X 1 1/2" X 22 1/2"



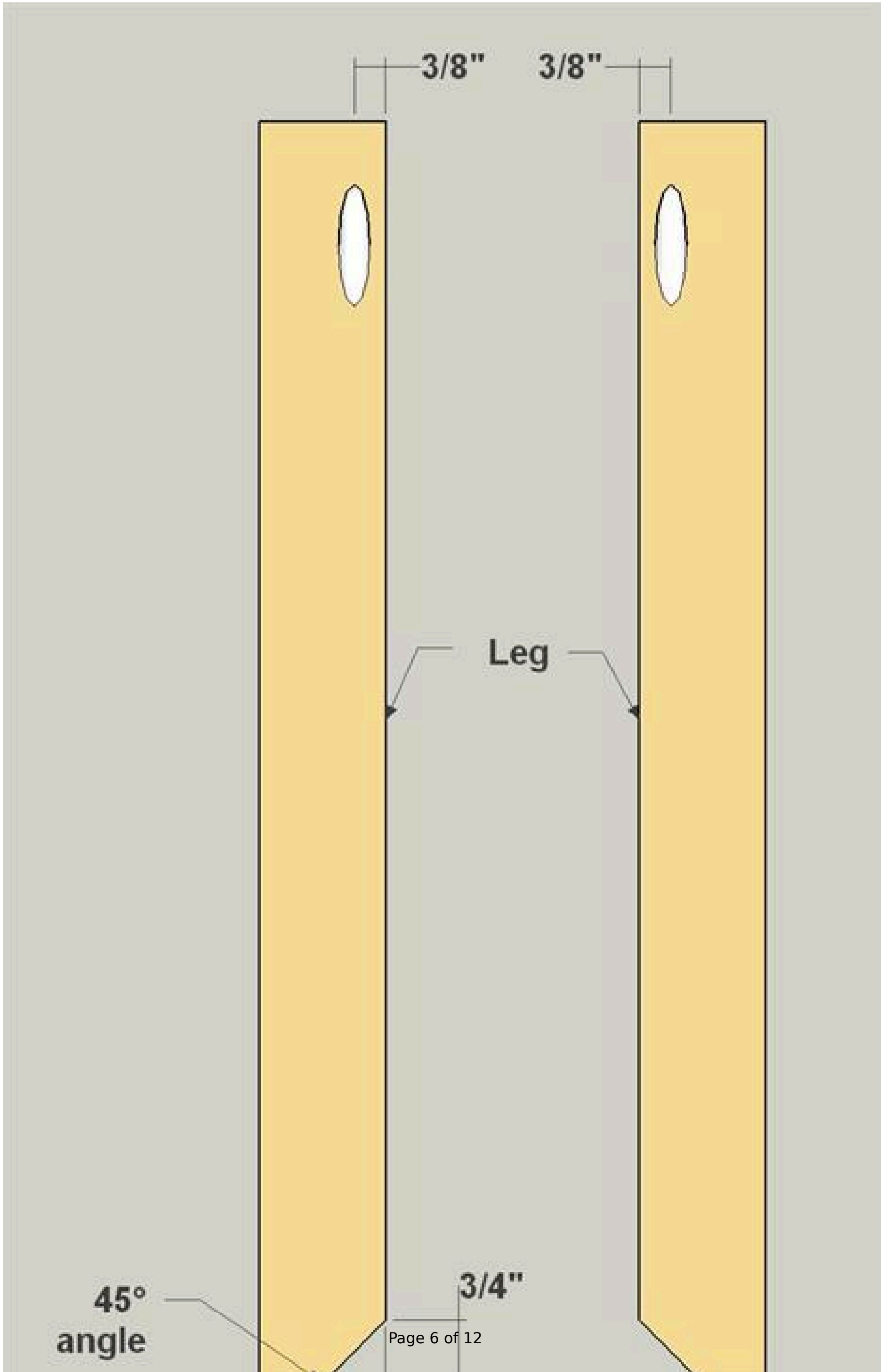
# Directions

---

**1****Create the Legs**

Cut four Legs to length from 2x2 boards, as shown in the cutting diagram. Then cut the bevel on the bottom end of each leg. You can do this easily with a miter saw. With your pocket hole jig set up for 3/4" material, drill pocket holes in the ends of all four pieces, as shown. Make sure you are placing the pocket holes in the leg face shown so that you'll end up with two sets of "mirror image" legs.

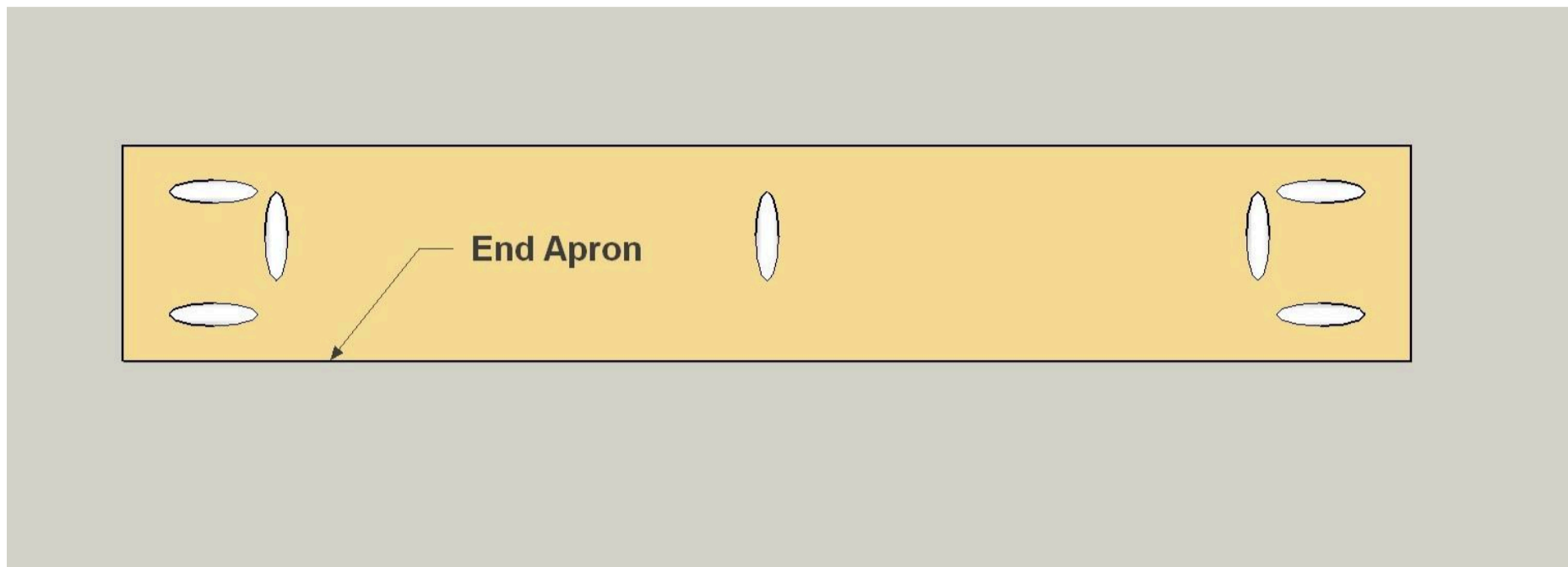
---



2

### Make the End Aprons

Cut two End Aprons to length from 1x4 boards, as shown in the cutting diagram. With your pocket hole jig set up for 3/4" material, drill pocket holes in both Aprons, as shown.



3

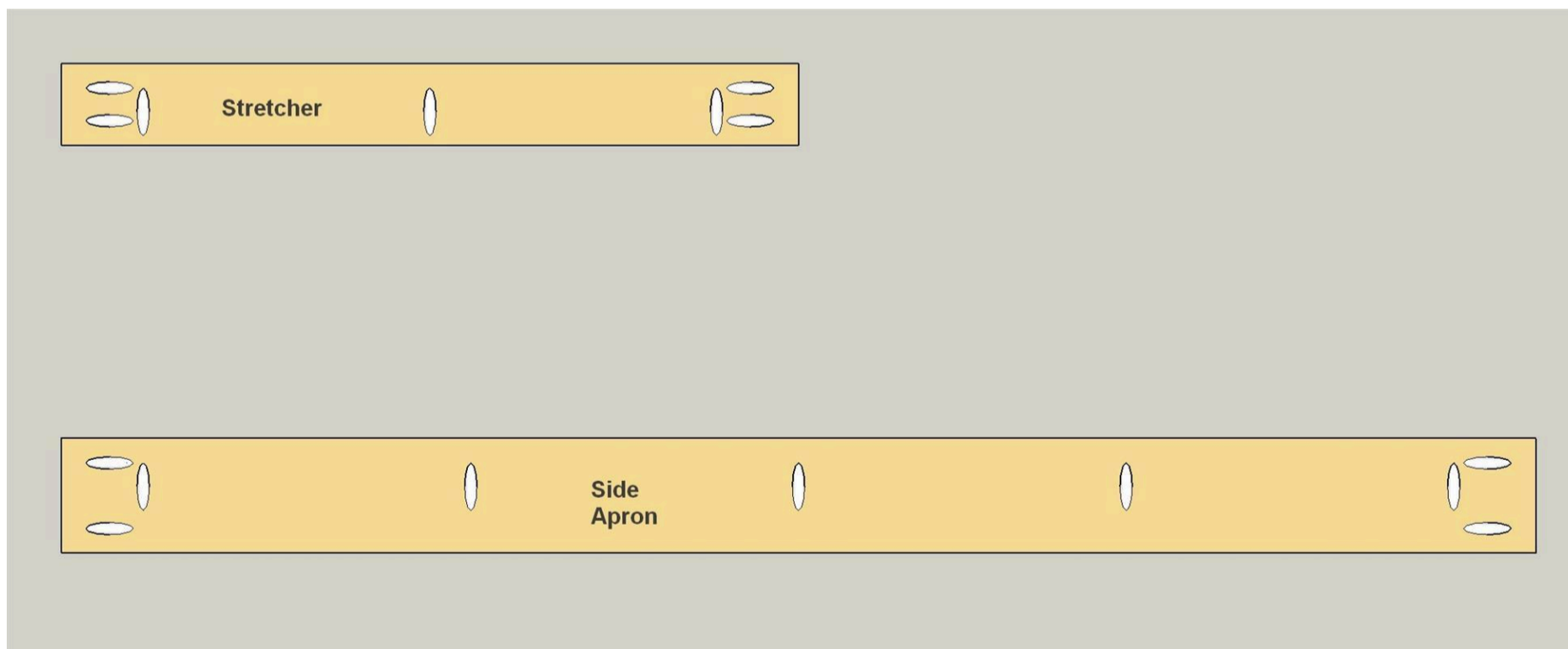
### Create the Ends

Now you can attach the End Aprons to the Legs using 1 1/4" fine-thread pocket hole screws. Make sure you have the pocket holes in the Aprons oriented correctly for attaching the table top later.

4

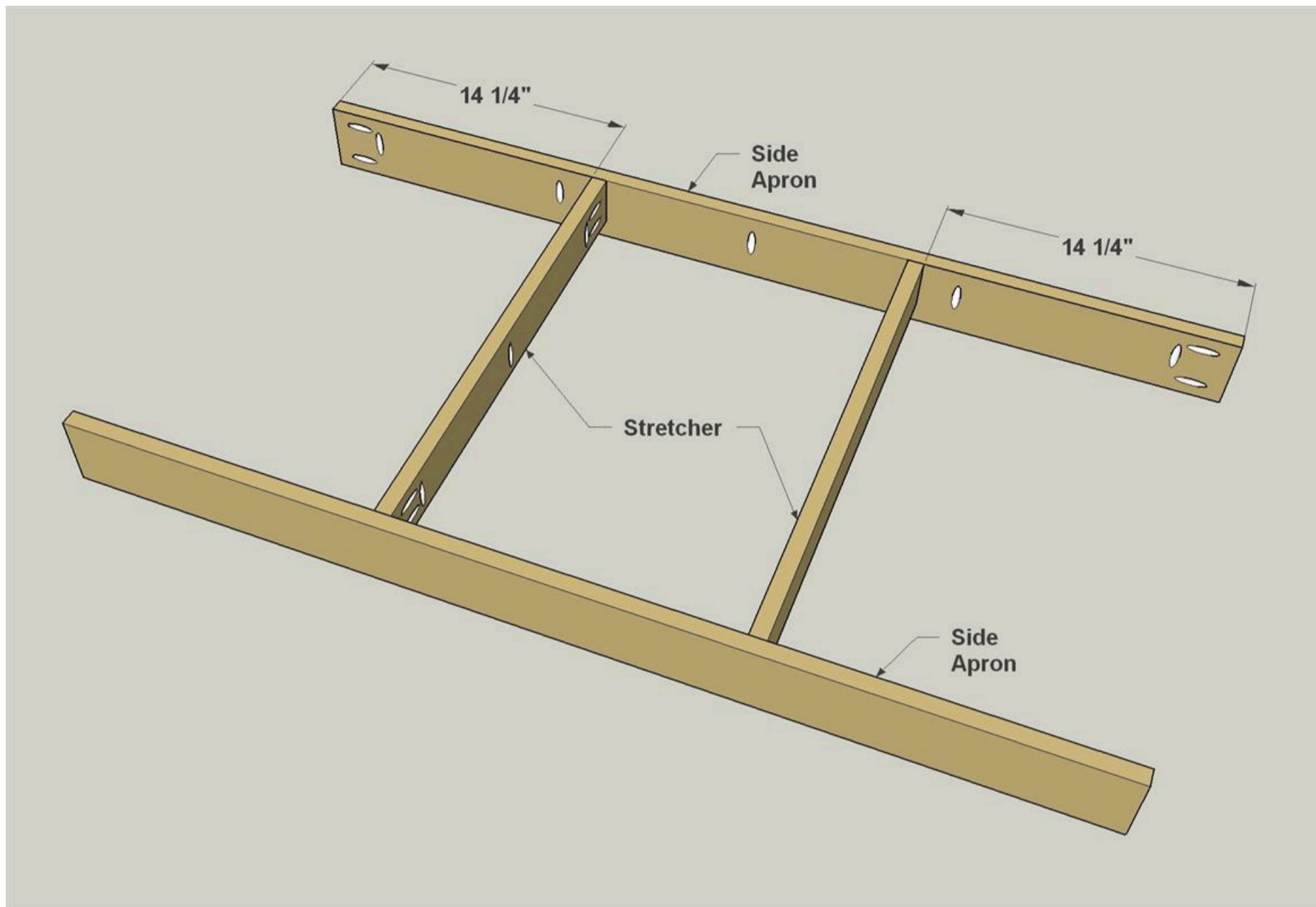
### Make Side Aprons and Stretchers

Cut two Side Aprons to length from 1x4 boards, as shown in the cutting diagram. Then cut two Stretchers from 1x3 boards. With your pocket hole jig set up for 3/4" material, drill pocket holes in the pieces, as shown.



**5****Assemble the Aprons and Stretchers**

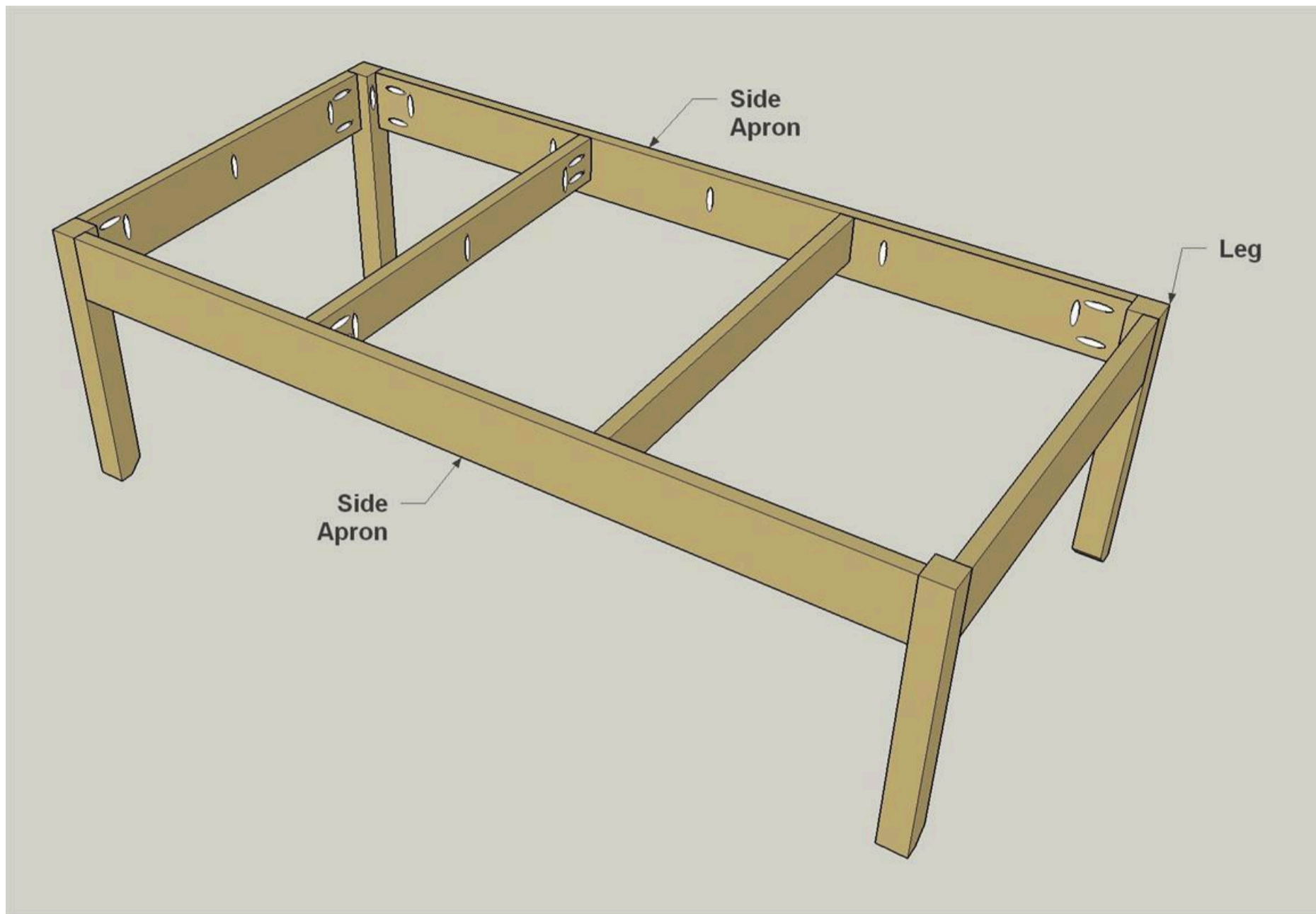
Now you can attach the Stretchers to the Aprons using 1 1/4" fine-thread pocket hole screws. Make sure that the pocket holes are all oriented in the proper direction for attaching the table top later.





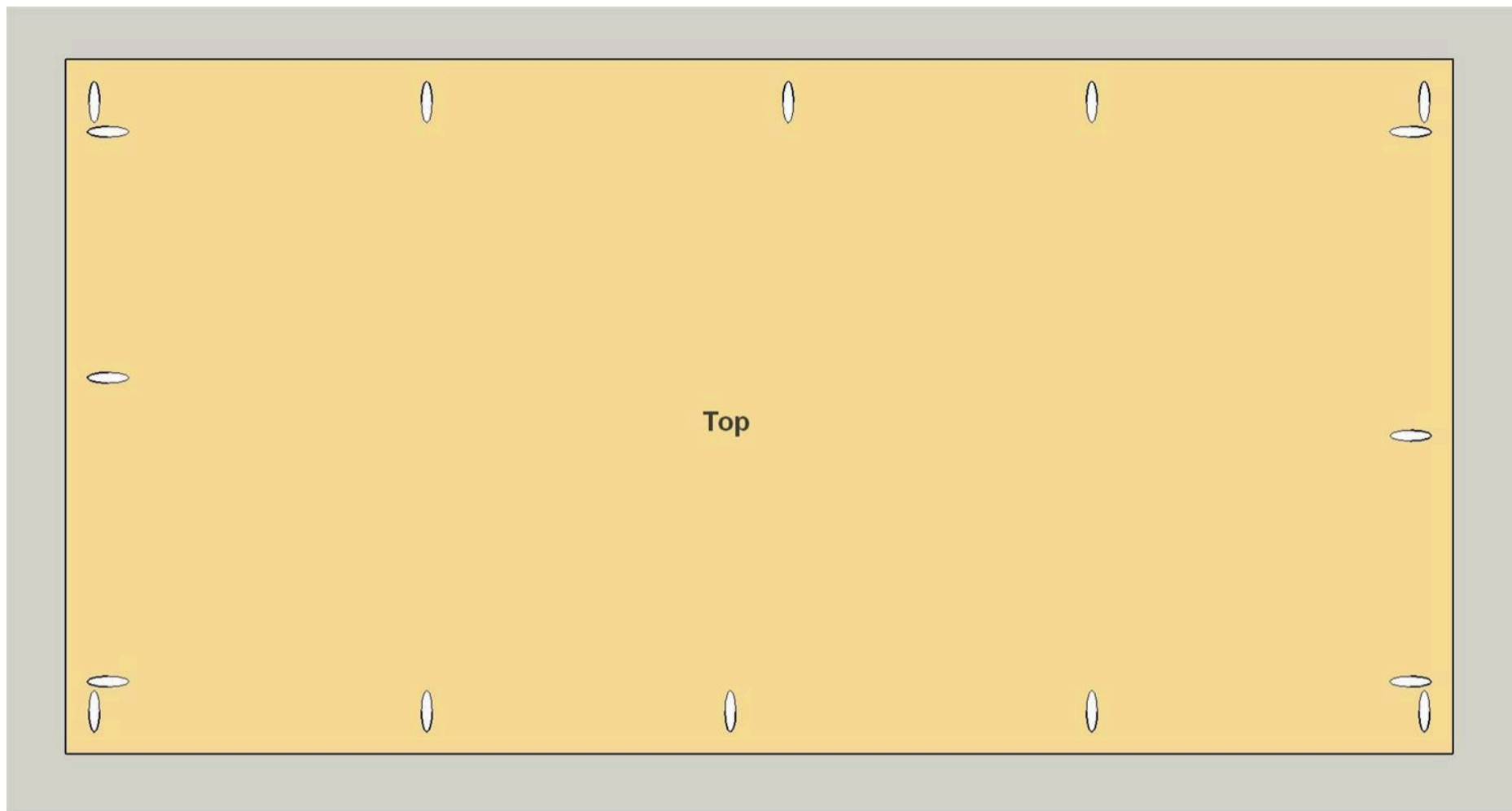
**6****Assemble To Make the Table Base**

Now you can attach the Apron/Stretcher assembly to the End assemblies you made earlier to create the table base. Use 1 1/4" fine-thread pocket hole screws.

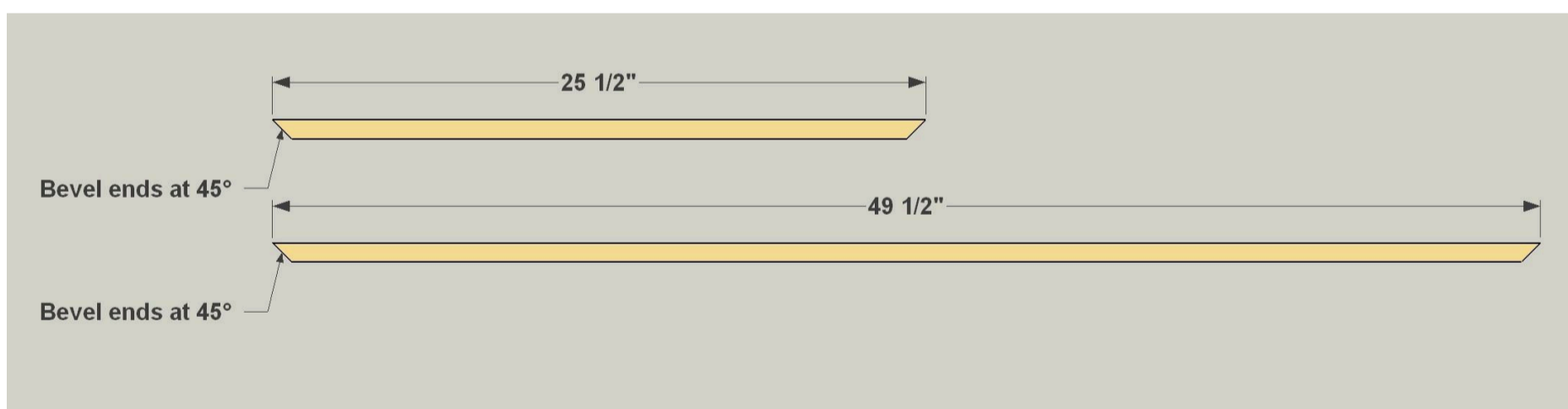


**7****Make a Table Top**

Now you can make the table Top. The easiest way is to simply purchase a pre-cut quarter-sheet of 3/4" plywood. Or cut the Top to size from a larger sheet. With your pocket hole jig set up for 3/4" material, drill pocket holes in the Top, as shown.

**8****Make Solid-Wood Edging**

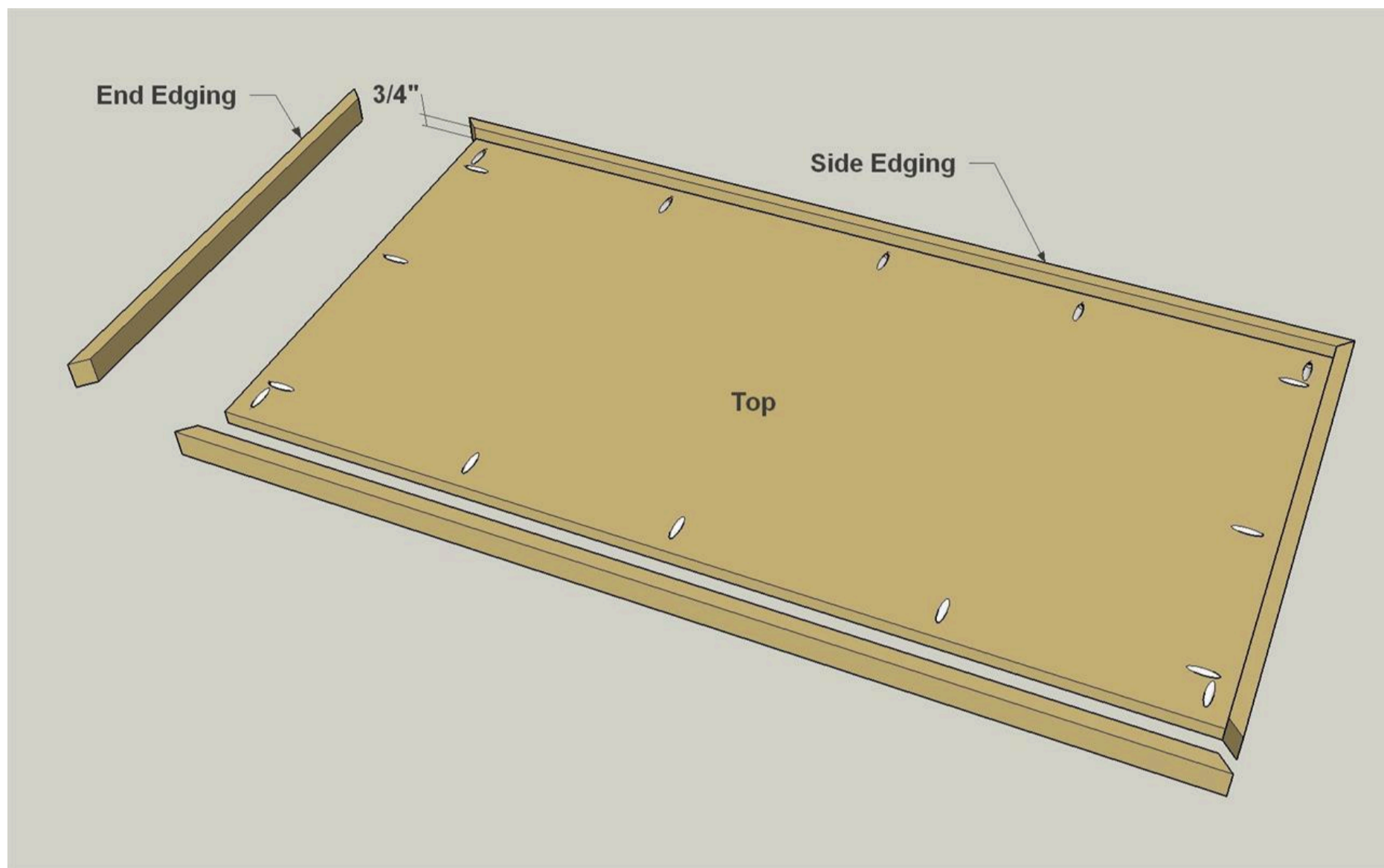
Now, to dress up the Top, cut two pieces of Side Edging and two pieces of End Edging to length from 1x2 boards, as shown in the cutting diagram. Note that the ends get bevel cut at 45°. You don't need a miter saw that has a tilting head for cutting bevels, though. Just stand each piece on edge and set your miter saw to cut a 45° miter.



9

**Attach the Edging**

Now you can attach the Edging using 1 1/4" fine-thread pocket hole screws, as shown. Align the corners carefully, and add a bit of wood glue to help keep them tight.



**10****Put It All Together**

After you give everything a final sanding, you can attach the Top assembly to the table base using 1 1/4" fine-thread pocket hole screws, as shown. Then paint, stain, or finish the coffee table to suit your tastes.

