

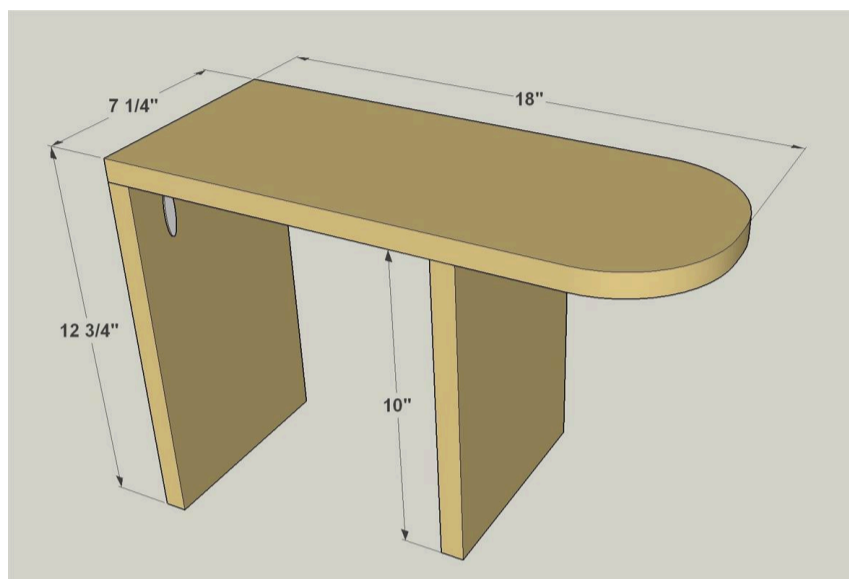
Sofa Arm Table

By **Kreg Tool**

Difficulty

Easy

Here's the perfect place to park your beverage, snacks, remotes; anything you want close at hand while you're relaxing on the couch. It's a "table," made from just three boards, that straddles the arm of your favorite sofa or chair.



Tools

Kreg Tools



[Kreg® Pocket-Hole Jig 720](#)

Other Tools

Jigsaw

Miter Saw

Compass

Drill (cordless)

Sander

Materials

Wood Products

1 Board , 1x8 , 48"

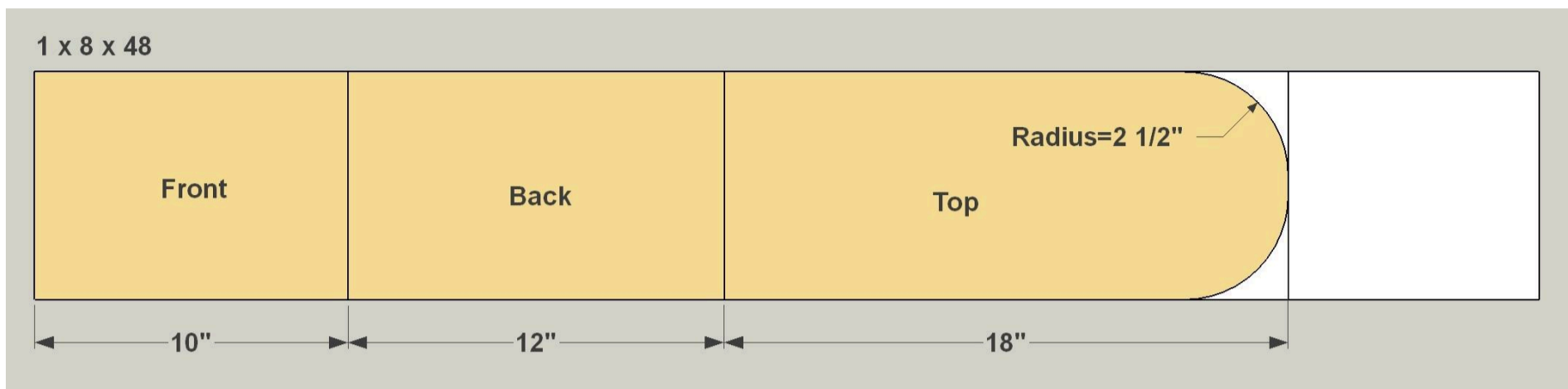
Hardware & Supplies

4 1 1/4" Pocket-hole Screws

1 Stain Or Paint

Cut List & Parts

- 1 Back , 3/4" X 7 1/4" X 12"
- 1 Top , 3/4" X 7 1/4" X 18"
- 1 Front , 3/4" X 7 1/4" X 10"



Directions

1

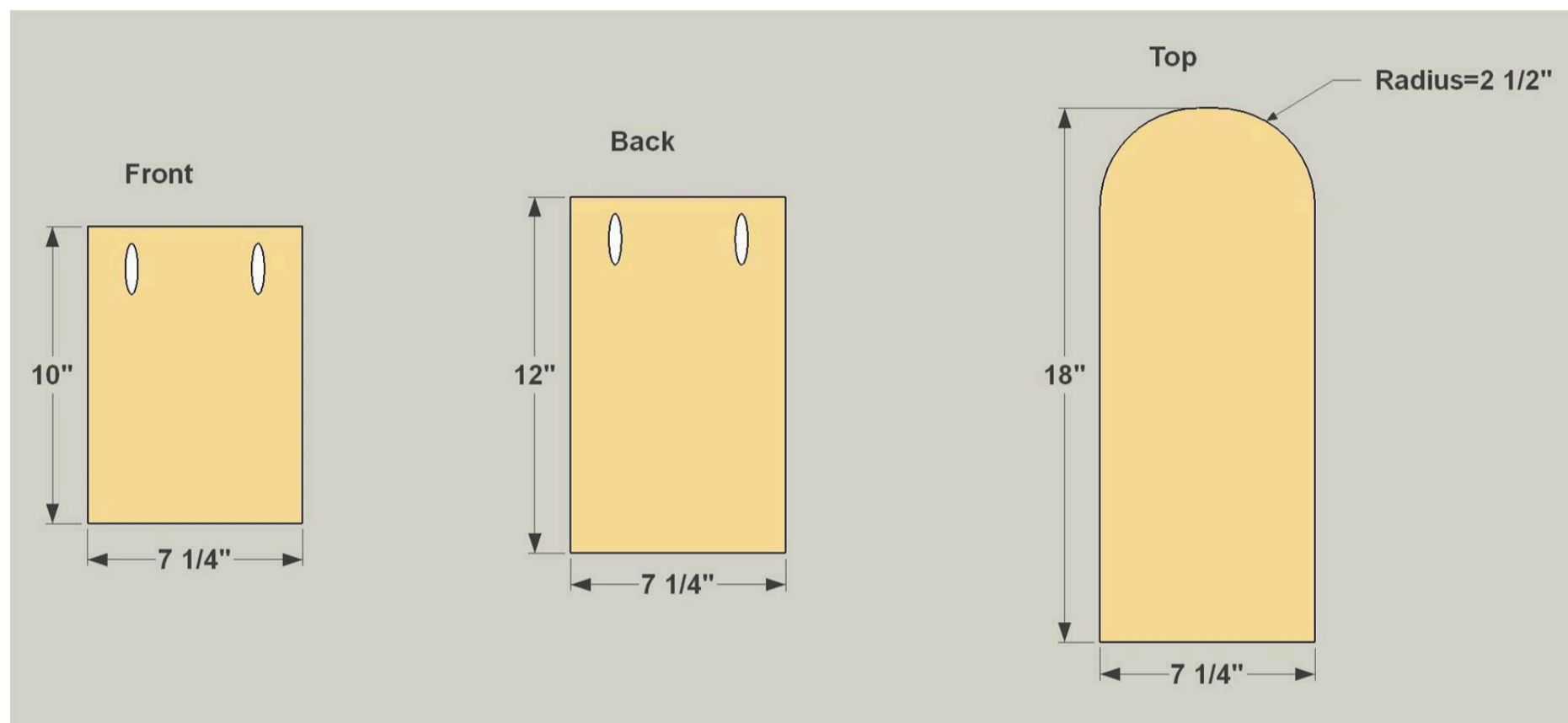
Cut the Parts

Cut one Back, one Top, and one Front to length from a 1x8 board, as shown in the cutting diagram.

2

Add Curves and Pocket Holes

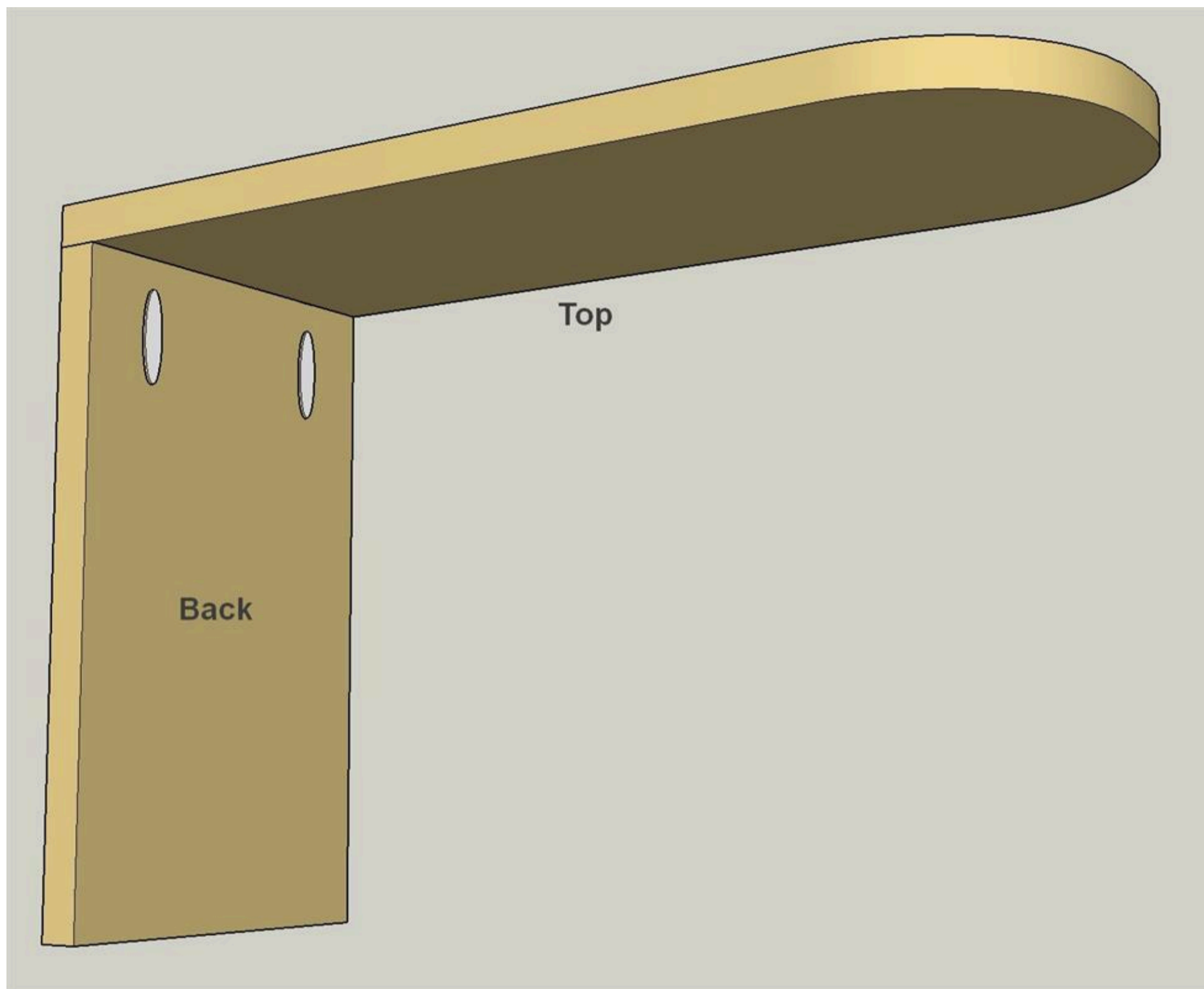
Using a compass, lay out a 2 1/2" radius on two corners of the Top, and cut the arcs using a jigsaw. Sand the arcs smooth. Then, with your pocket-hole jig set up for 3/4" material, drill pocket holes in the Back and Front, as shown.



3

Attach the Back

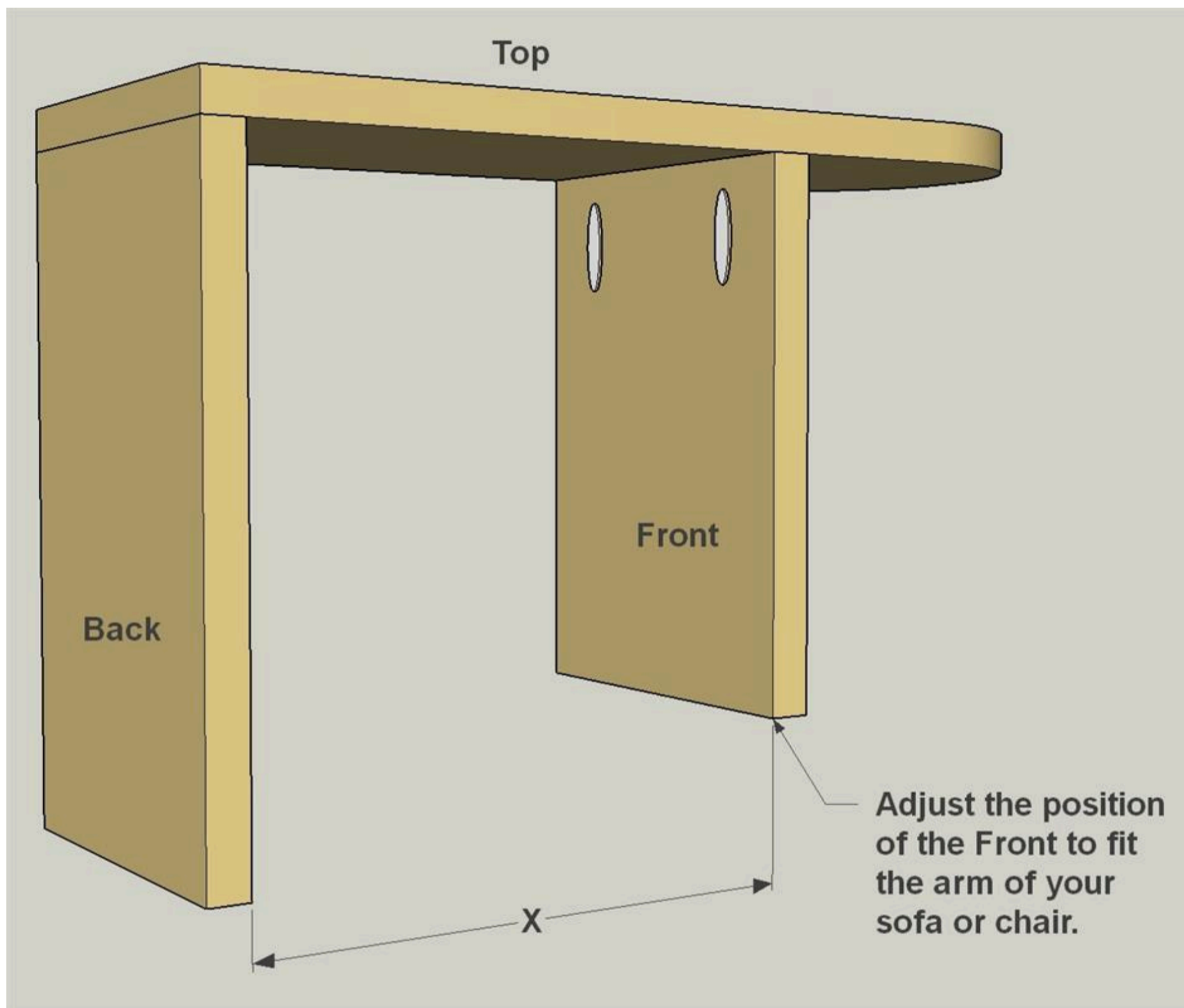
Attach the Back to the Top using 1 1/4" pocket-hole screws. If you're using hardwood, such as oak, use fine-thread screws. Use coarse-thread screws for softwoods like pine.



4

Attach the Front

Before you attach the front, check the width of your sofa or chair arm. You should subtract 1/2" or so in order to make sure the table will slide over and fit snugly. Once you've determined where to position the Front, attach it using 1 1/4" pocket-hole screws.



5

Sand then Stain

After assembly, sand the table as needed, and then apply stain or finish to give it the look you want.