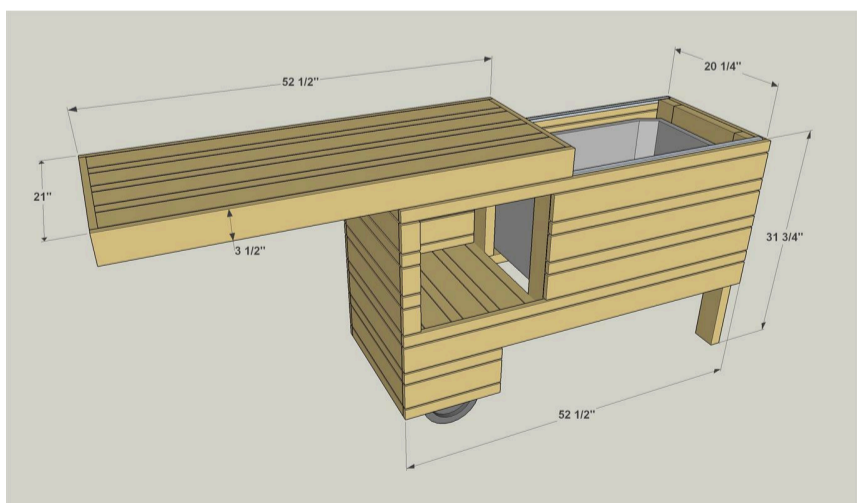


Outdoor Serving Center

By **Kreg Tool**

Difficulty
Moderate

Take your outdoor entertaining up a notch with this rolling serving center. It holds a cooler plus offers shelf space for other items. The sliding top covers everything up when not in use, and it can still be used when open. Made from cedar, this project will serve you in style for years. It's designed to hold a 60-quart rectangular cooler (up to 29" long x 17" wide x 18" tall). Just remove the lid hinges so the lid lifts off.



Tools

Kreg Tools



Other Tools

Miter Saw

Square

Tape Measure

Hacksaw

Drill (cordless)

Hammer

Nail Gun

Sander

Air Compressor

Materials

Wood Products

19 Board , 1x2 , 96"

18 Board , 1x4 , 96"

5 Board , 2x4 , 96"

Hardware & Supplies

18 1 1/4" Coarse Exterior Pocket Screws

64 2 1/2" Coarse Exterior Pocket Screws

4 1/16" X 3/4" X 72" Aluminum Angle

10 #8 X 5/8" Sheet Metal/Lath Screws

1 1/2" X 24" Threaded Rod

100 #18 X 1 1/4" Brad Nails

2 8" Replacement Lawnmower Wheels

1 Chest Cooler, 50-70 Quart (Up To ~19"x32"x16")

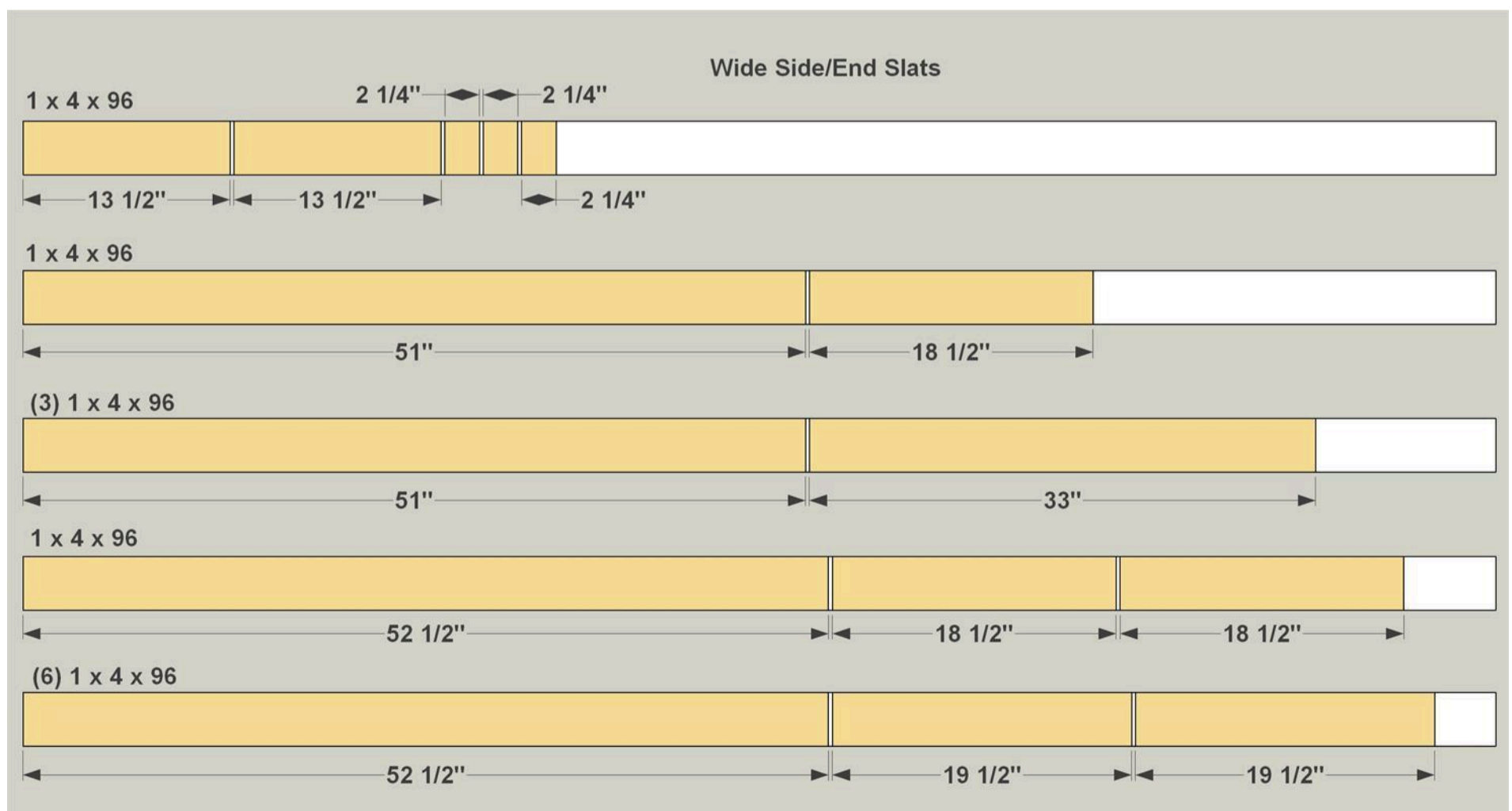
1 6 1/4" (Or Similar) Brushed-nickel Bar Pull

1 10" (Or Similar) Brushed-nickel Bar Pull

6 #8 X 1 1/2" Sheet-metal/Lath Screws

Cut List & Parts

- 2 Front Leg , 1 1/2" X 3 1/2" X 31 3/4"
- 2 Back Leg , 1 1/2" X 3 1/2" X 29"
- 2 Rail , 1 1/2" X 3 1/2" X 48"
- 2 Support Post , 1 1/2" X 3 1/2" X 18 1/2"
- 8 Cross Brace , 1 1/2" X 3 1/2" X 12 1/2"
- 2 Axle Leg , 1 1/2" X 3 1/2" X 9"
- 2 Axle Block , 1 1/2" X 3 1/2" X 9"
- 4 Axle Support , 1 1/2" X 3 1/2" X 5 1/2"
- 6 Narrow Long Side Slat , 3/4" X 1 1/2" X 52 1/2"
- 7 Wide Long Top Slat , 3/4" X 3 1/2" X 52 1/2"
- 2 Narrow Medium Side Slat , 3/4" X 1 1/2" X 33"
- 3 Wide Medium Side Slat , 3/4" X 3 1/2" X 33"
- 12 Narrow End Slat , 3/4" X 1 1/2" X 19 1/2"
- 12 Wide End Slat , 3/4" X 3 1/2" X 19 1/2"
- 4 Narrow Shelf Slat , 3/4" X 1 1/2" X 18 1/2"
- 3 Wide Shelf Slat , 3/4" X 3 1/2" X 18 1/2"
- 4 Narrow Lower Side Slat , 3/4" X 1 1/2" X 13 1/2"
- 2 Wide Lower Side Slat , 3/4" X 3 1/2" X 13 1/2"
- 2 Narrow Short Side Slat , 3/4" X 1 1/2" X 2 1/4"
- 3 Wide Short Side Slat , 3/4" X 3 1/2" X 2 1/4"
- 2 Top Side , 3/4" X 3 1/2" X 52 1/2"
- 2 Top End , 3/4" X 3 1/2" X 19 1/2"
- 4 Top Slat Support , 3/4" X 3 1/2" X 19 1/2"
- 2 Top Track Support , 3/4" X 1 1/2" X 51"
- 3 Narrow Top Slat , 3/4" X 1 1/2" X 51 1/2"
- 4 Wide Top Slat , 3/4" X 3 1/2" X 51 1/2"



Top Parts

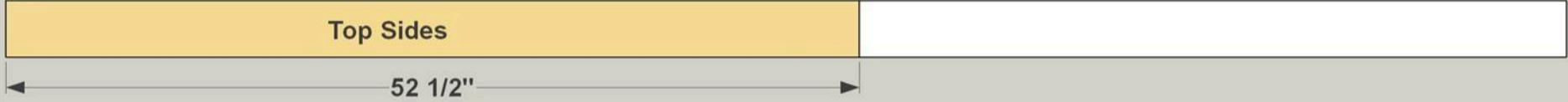
(3) 1 x 4 x 96



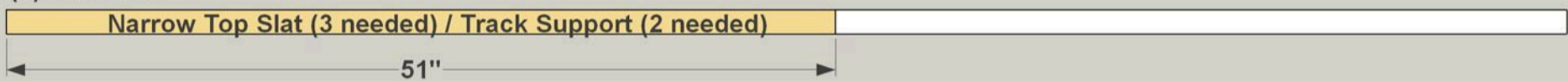
1 x 4 x 96



(2) 1 x 4 x 96

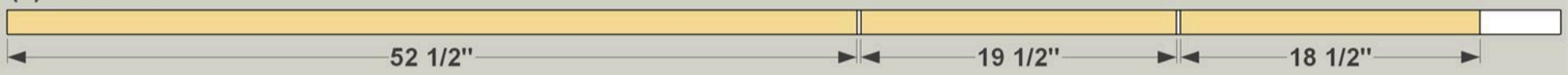


(5) 1 x 2 x 96

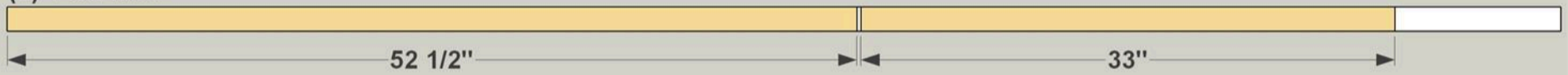


Narrow Side/End Slats

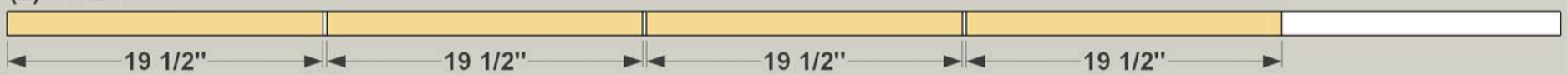
(4) 1 x 2 x 96



(2) 1 x 2 x 96



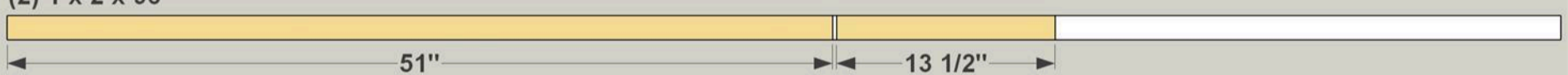
(2) 1 x 2 x 96



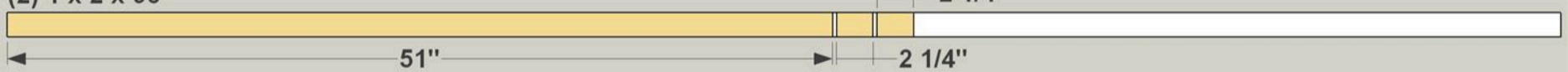
(2) 1 x 2 x 96



(2) 1 x 2 x 96



(2) 1 x 2 x 96"



Frame Parts

2 x 4 x 96



2 x 4 x 96



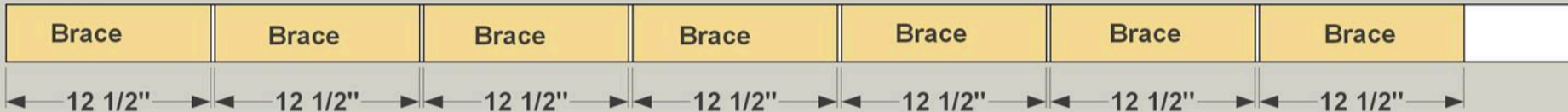
2 x 4 x 96



2 x 4 x 96



2 x 4 x 96

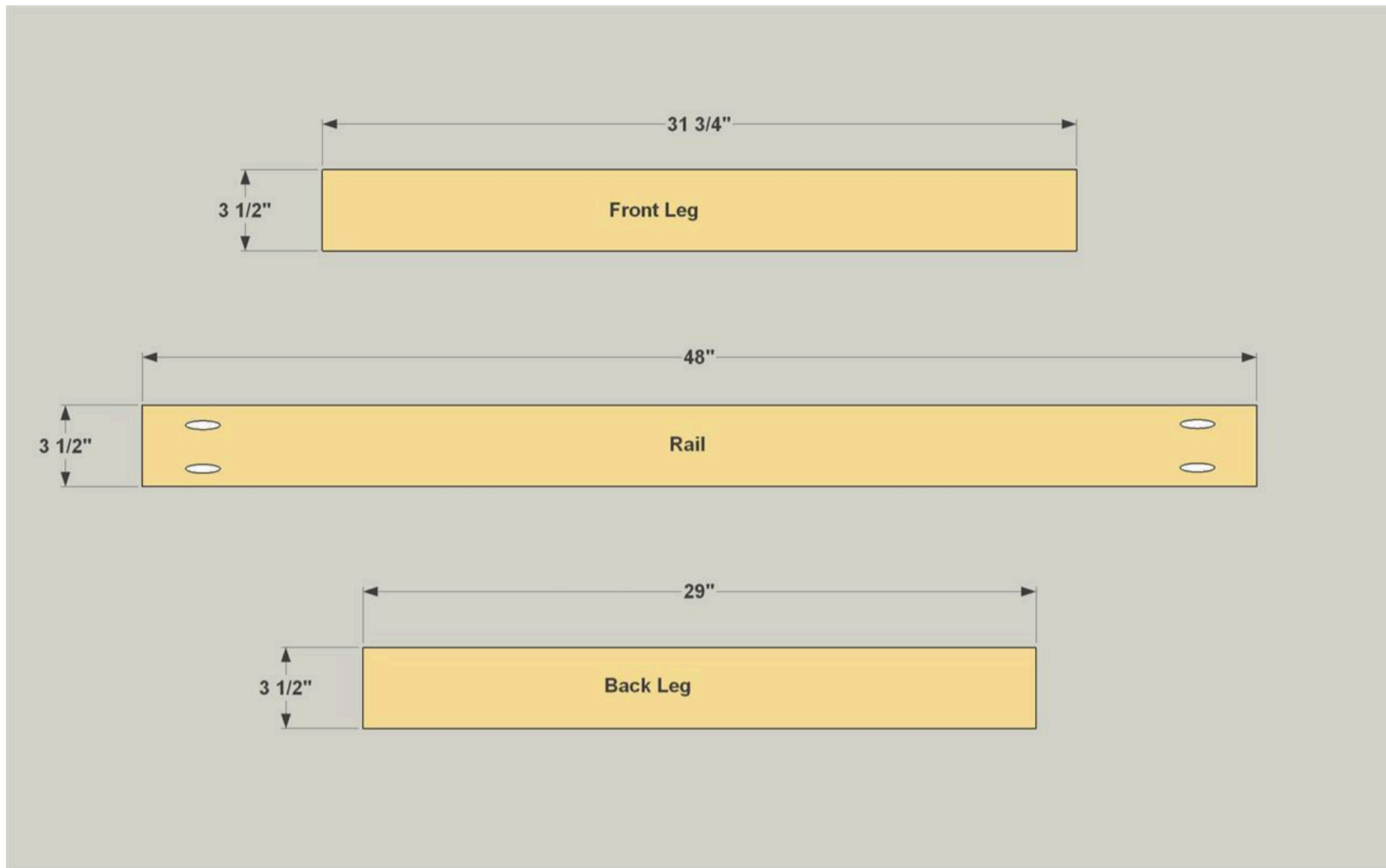


Directions

1

Start with Frame Legs and Rails

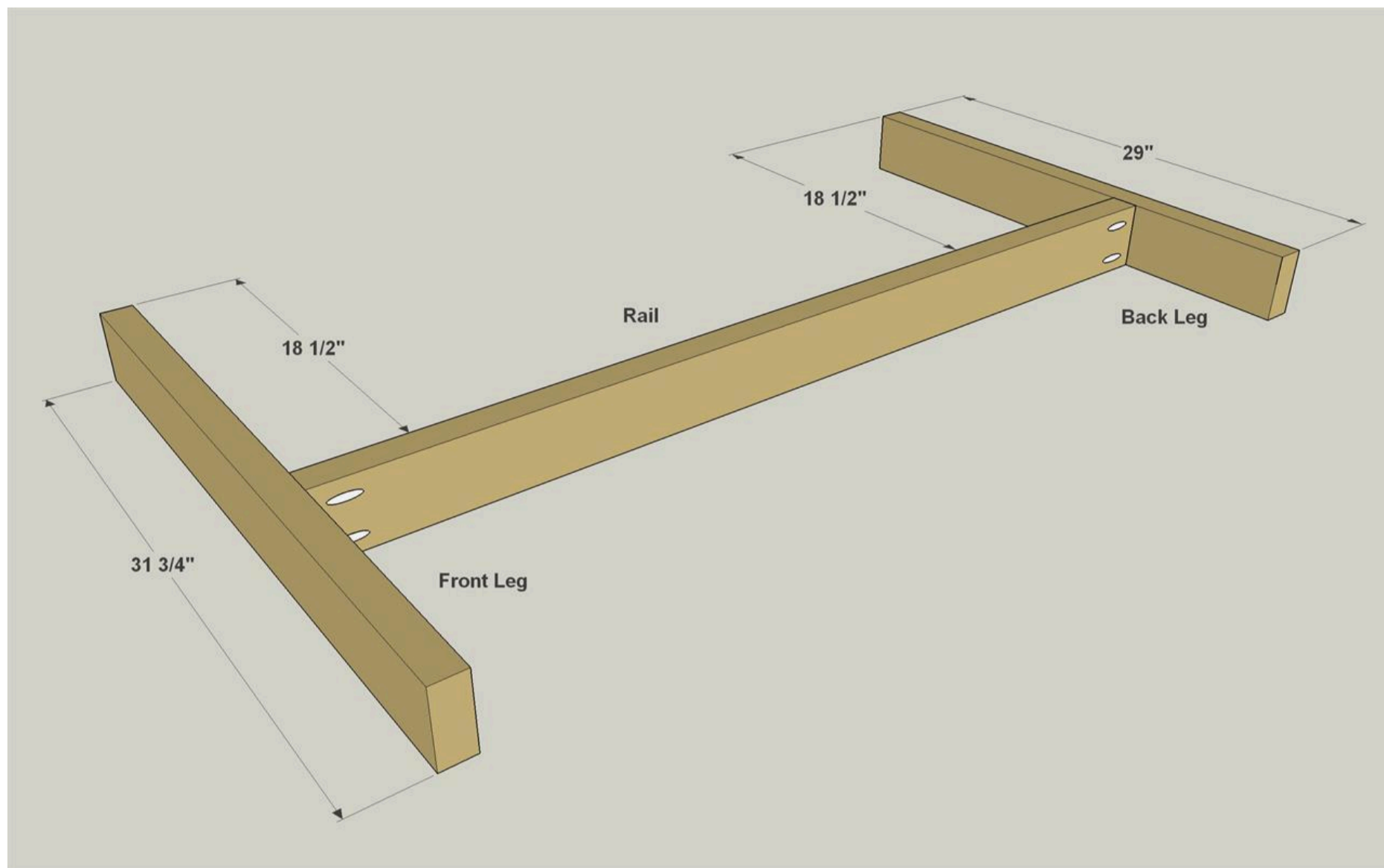
Cut the Front Legs, Back Legs, and the Frame rail to length from 2 x 4 Cedar, as shown in the cutting diagram. Then, with your pocket hole jig set for 1 1/2" material, drill pocket holes where shown.



2

Assemble the Legs and Rails

Attach the Legs to the rail as shown with 2 1/2" exterior-rated pocket hole screws.



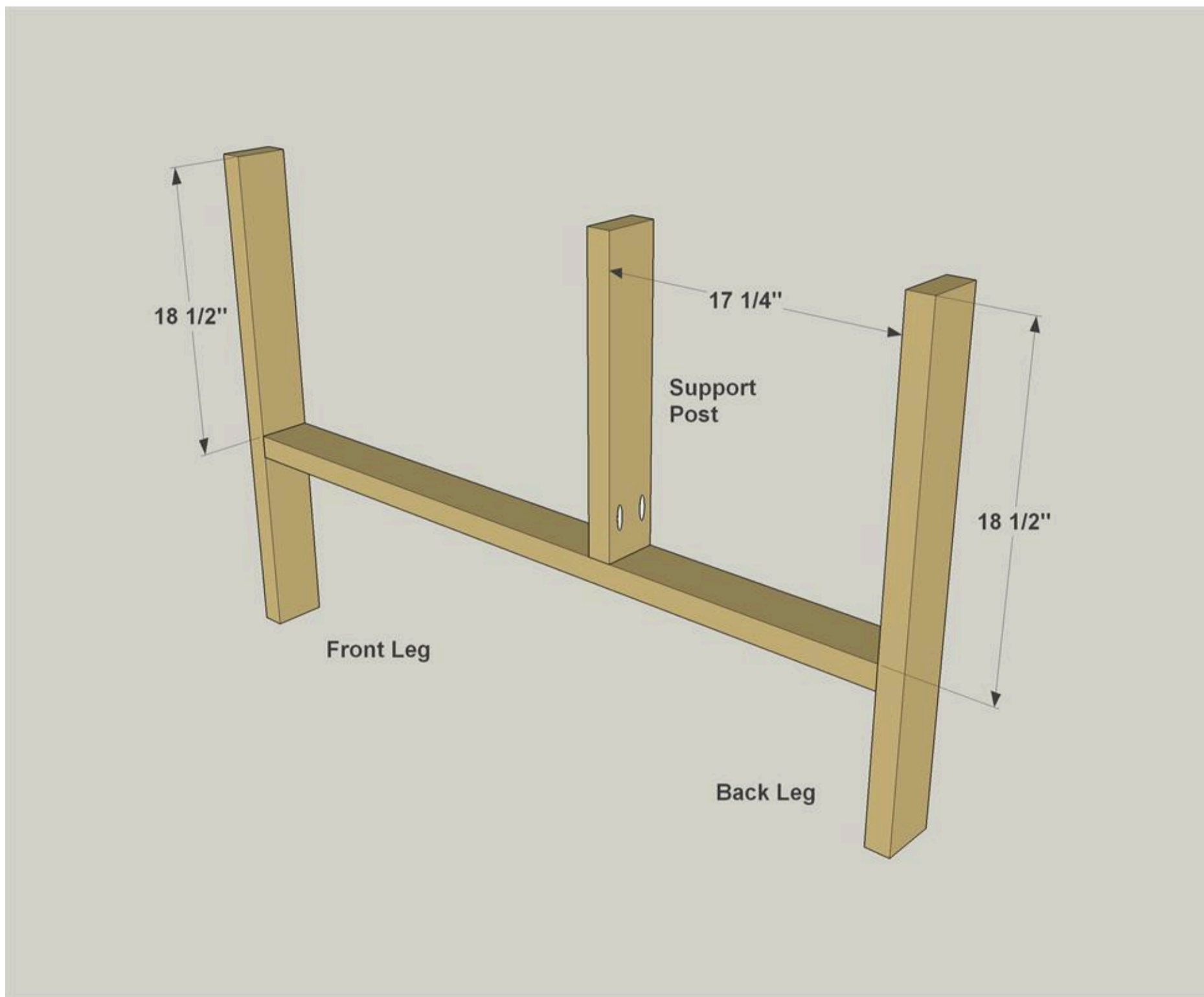
3**Make Support Posts**

Cut two Support Posts from 2x4 Cedar boards, as shown in the cutting diagram. With your pocket hole jig set for 1 1/2" material, drill pocket holes where shown.



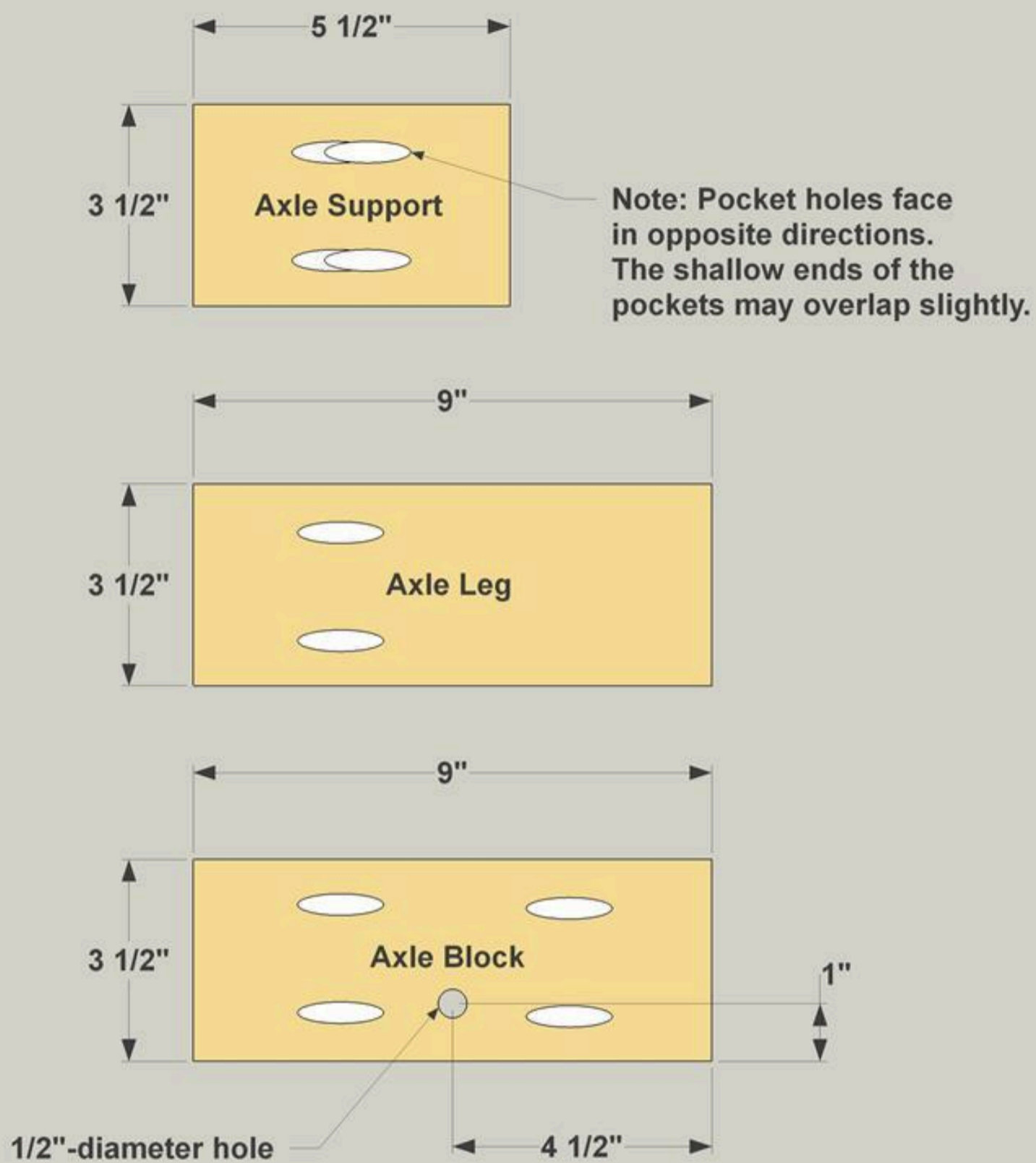
4**Install the Support Posts**

Secure the Support Posts to the Rails, where shown, with 2 1/2" exterior-rated pocket hole screws.



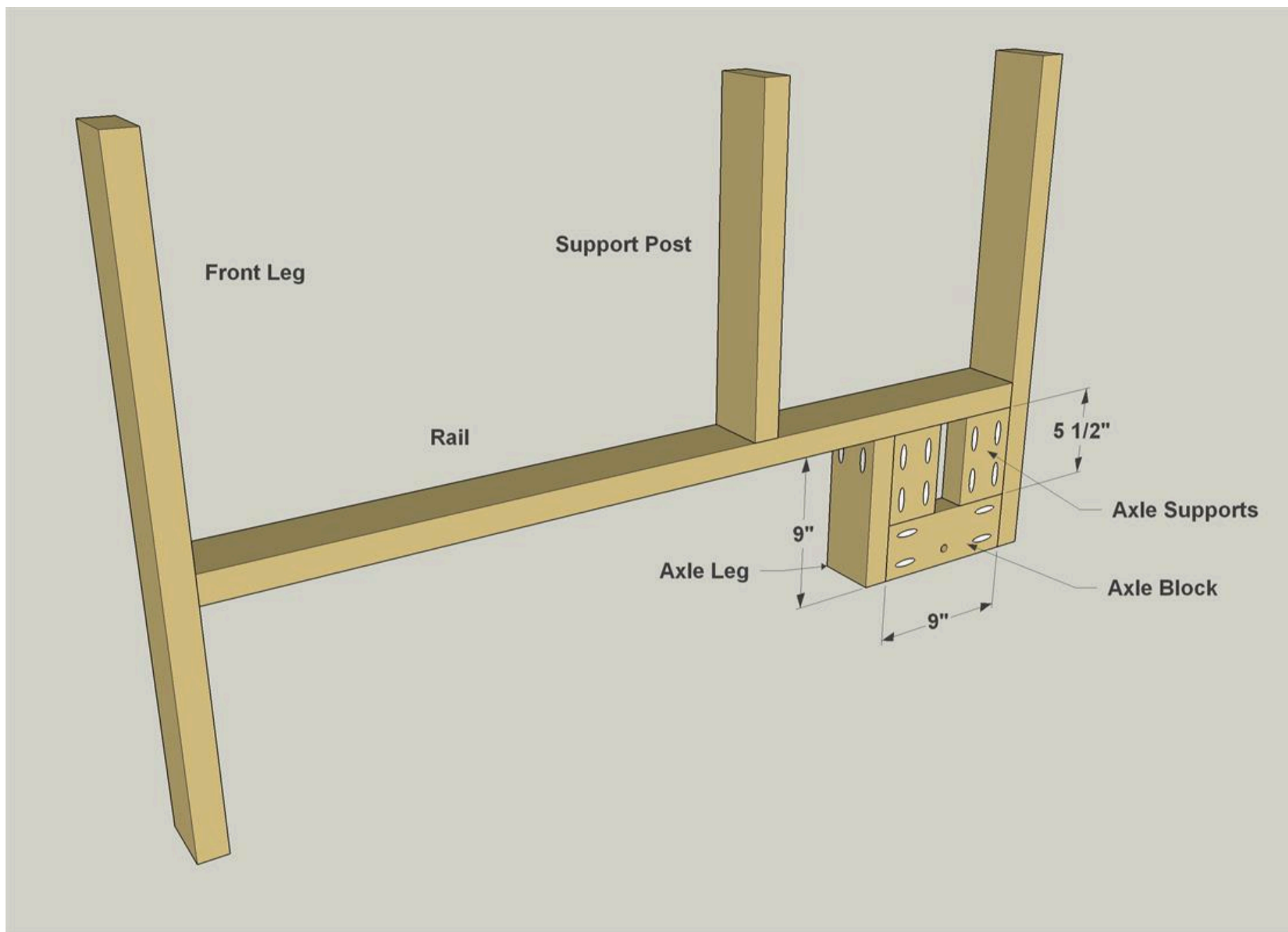
5**Create Axle-Mounting Parts**

Cut all of the Axle mounting parts from 2x4 cedar boards, as shown in the cutting diagram. With your pocket hole jig set for 1 1/2" material, drill pocket holes where shown.



6**Attach the Axle Parts**

Attach the Axle Block, Axle Leg and the Axle Supports to the rail as shown with 2 1/2" exterior-rated pocket hole screws.



7**Make Frame Braces**

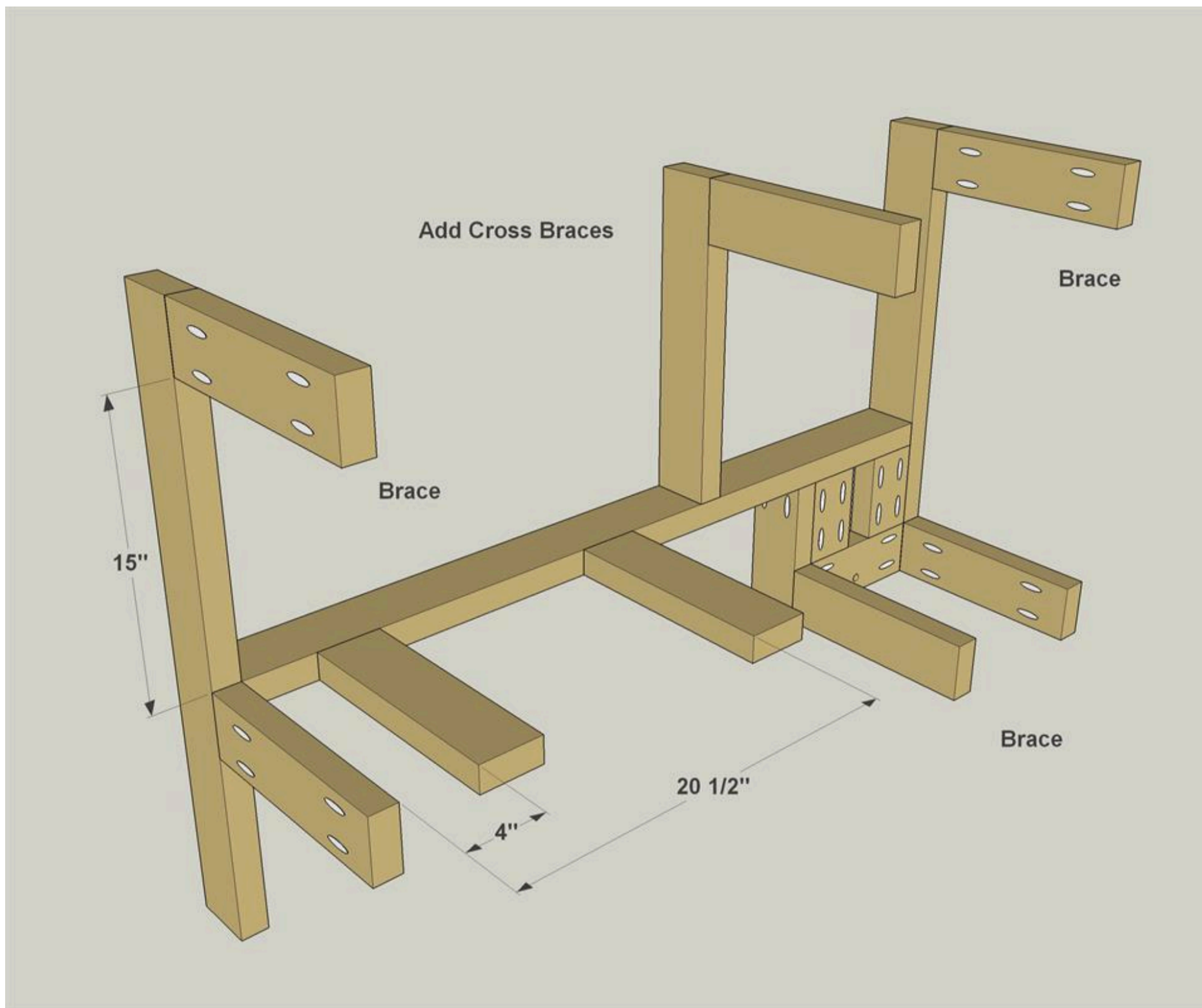
Cut eight Braces from 2x4 Cedar boards, as shown in the cutting diagram. Drill pocket holes where shown.



8

Add the Braces

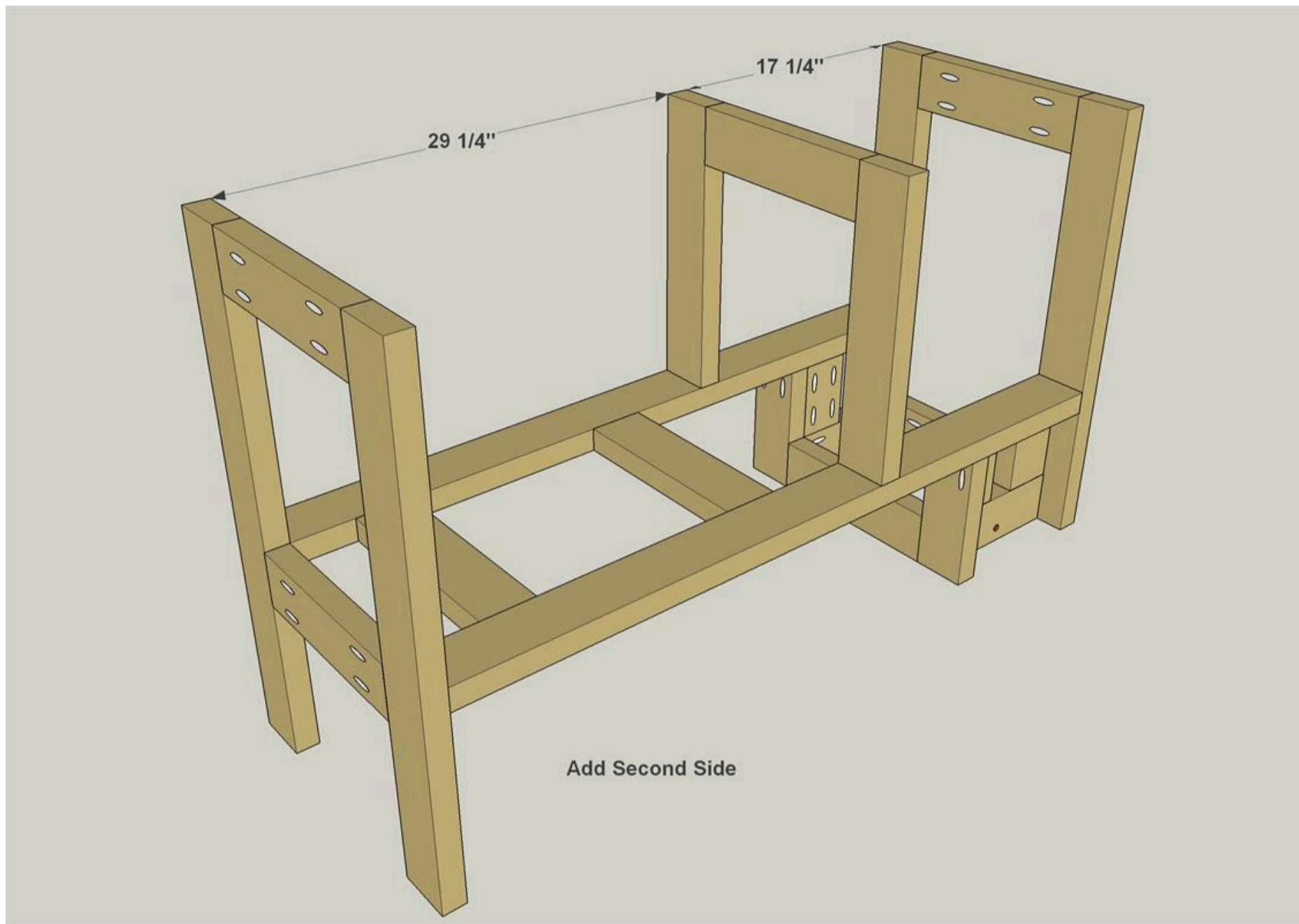
Attach the Braces to the Rail and Legs as shown and secure with 2 1/2" exterior-rated pocket hole screws.



9

Add the Second Side

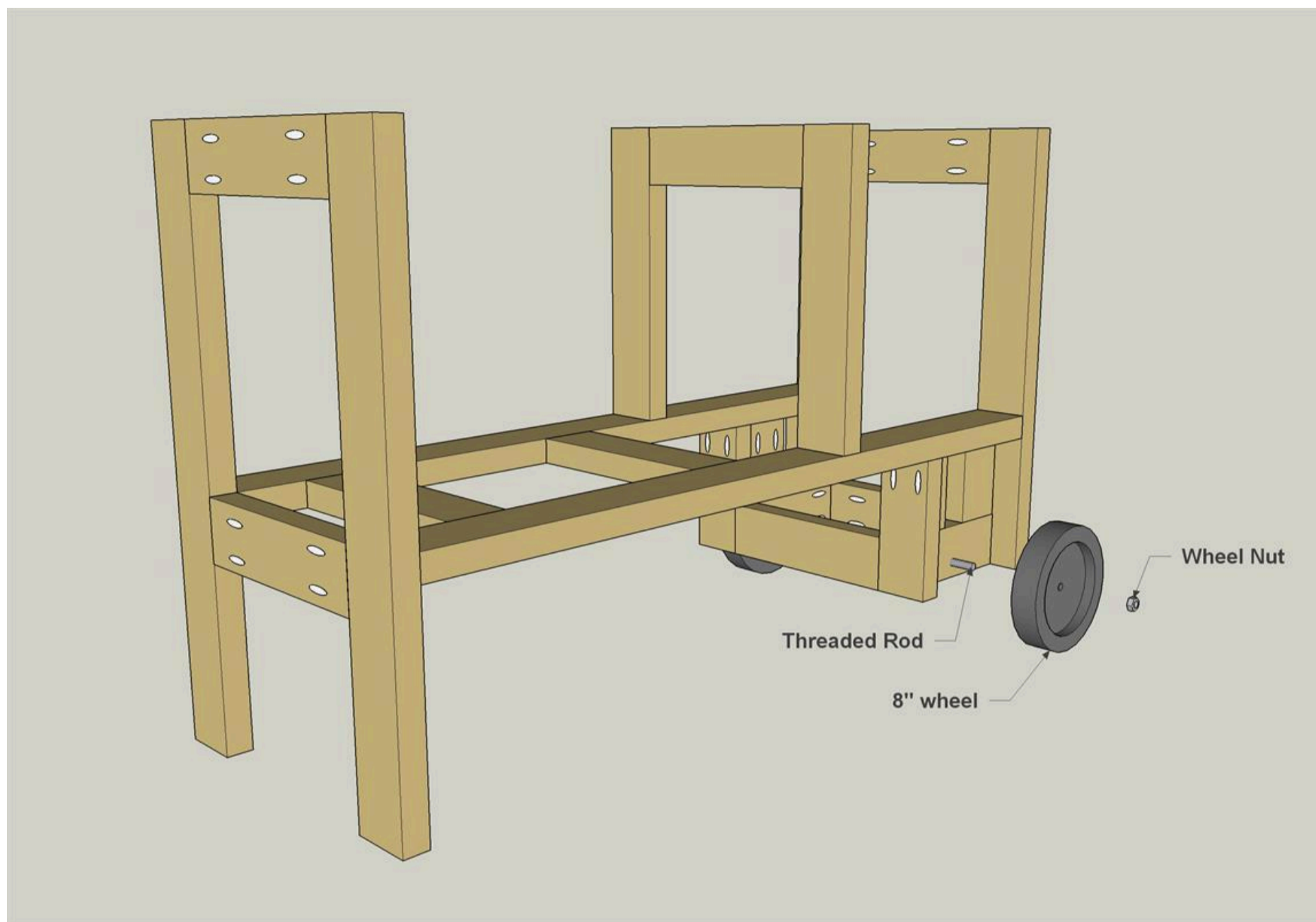
Now you can complete the frame by attaching the other Rail, Leg and Axle Assembly to the Braces with 2 1/2" exterior-rated pocket hole screws, as shown.



10

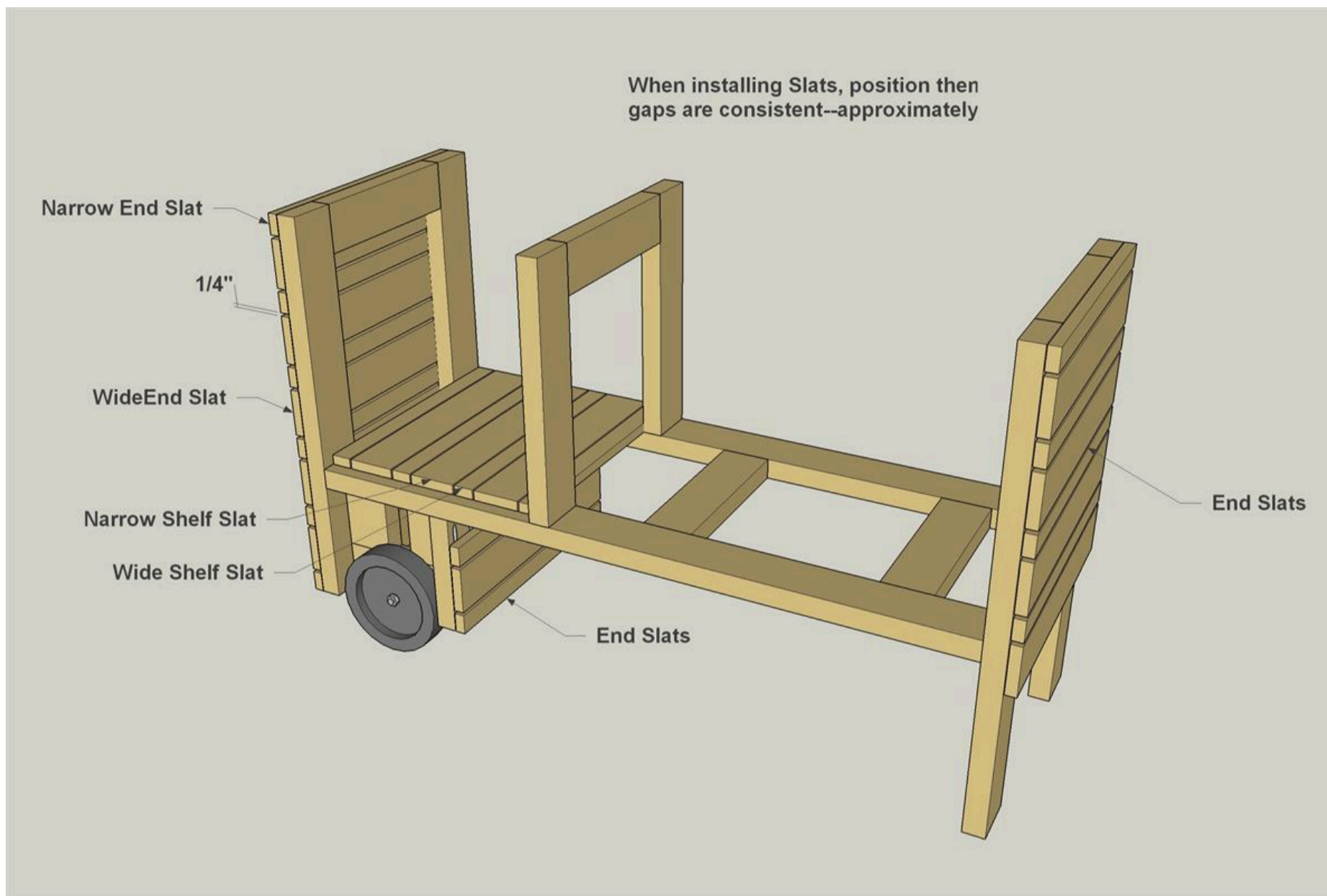
Add an Axle and Wheels

Cut an axle 19" long from threaded rod. Then feed it through the holes in the Axle Block, and attach the 8" Lawnmower wheels making sure they spin freely but are secure.



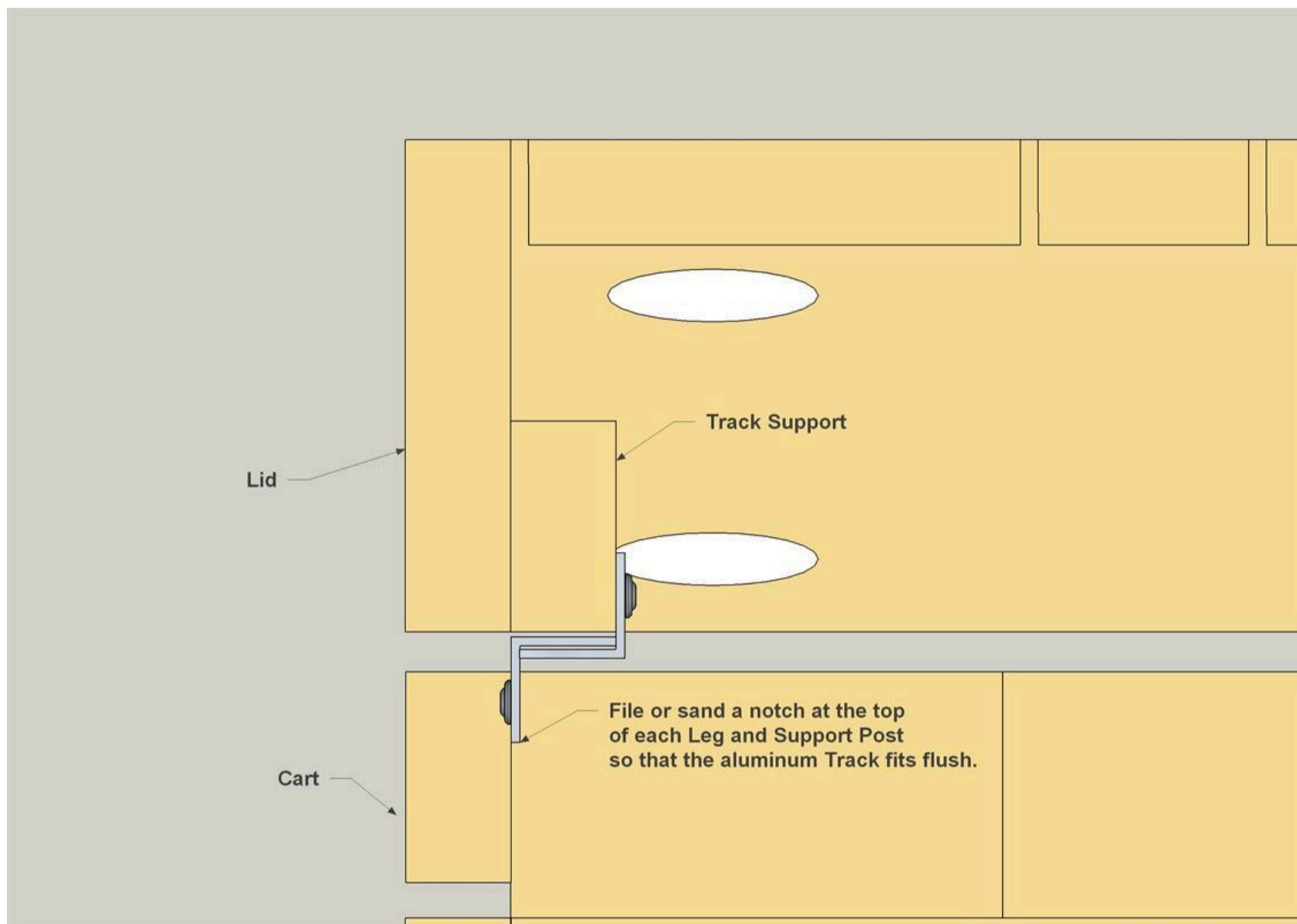
11**Add End Slats and a Shelf**

From 1x4 and 1x2 Cedar, cut the Narrow and Wide End Slats, as well as Narrow and Wide Shelf Slats, as shown in the cutting diagram. Note that the lengths are shown in the cutting diagram, but you should double-check your frame assembly, and cut these parts to match the overall width of your frame. Then secure the End Slats and Shelf Slats to the frame with glue and brad nails.



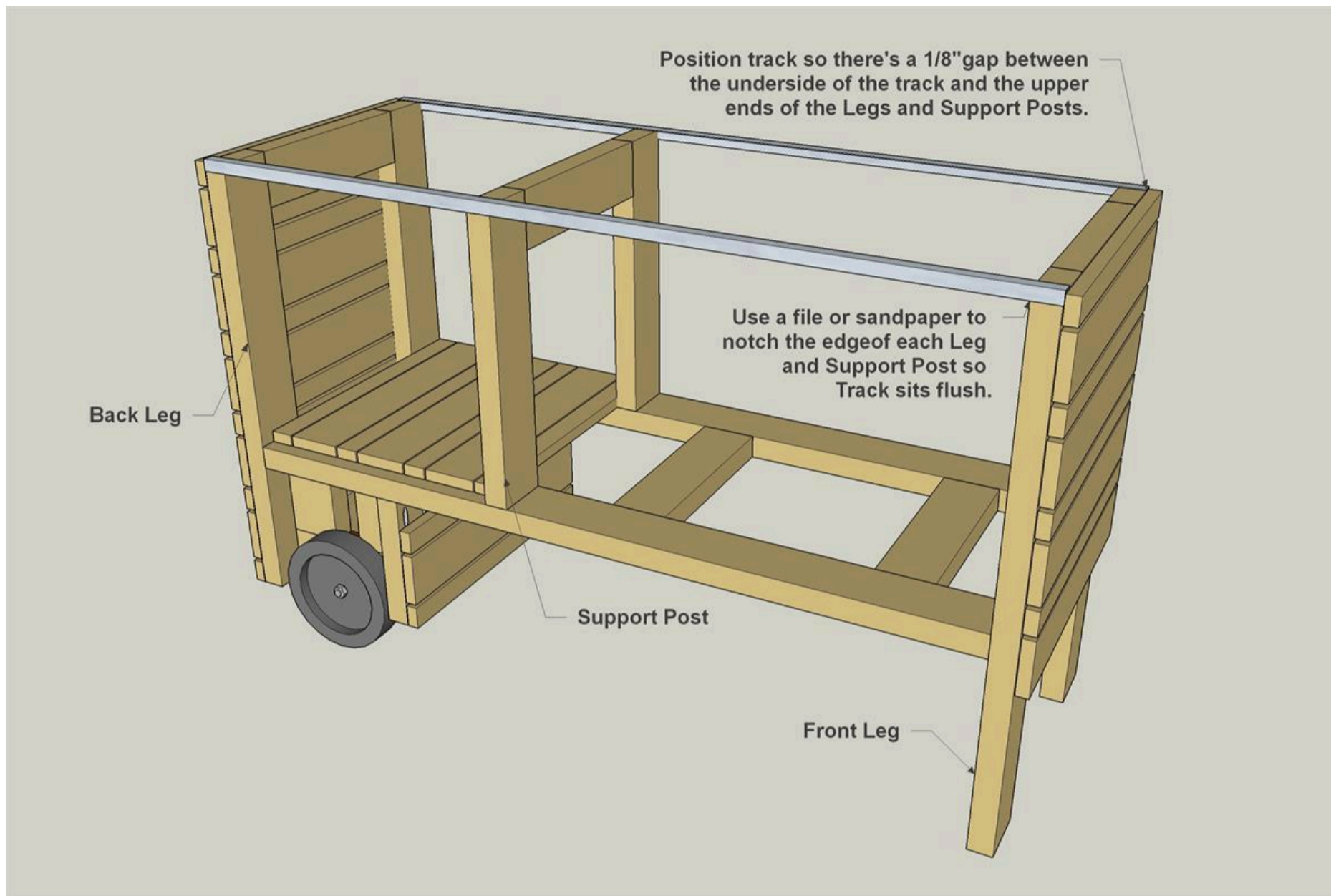
12**Add an Aluminum Track**

Cut two pieces of aluminum track to 51" long. Then you can secure them to the frame, as shown. First, file or sand slight notches in the Legs and Support Posts, as shown.



13**Attach the Bottom Track**

Now you can attach the bottom track using 1 1/2" sheet-metal screws. Note that the Track should have a 1/8" gap between the aluminum and the ends of the Legs and Support Posts.



14**Add Side Slats**

Cut Narrow and Wide versions of the Long Side Slats, Medium Side Slats, and Short Side Slats from 1x2 and 1x4 cedar material, as shown in the cutting diagram. Then you can attach them to the frame using glue and brad nails.



15**Begin Building the Top**

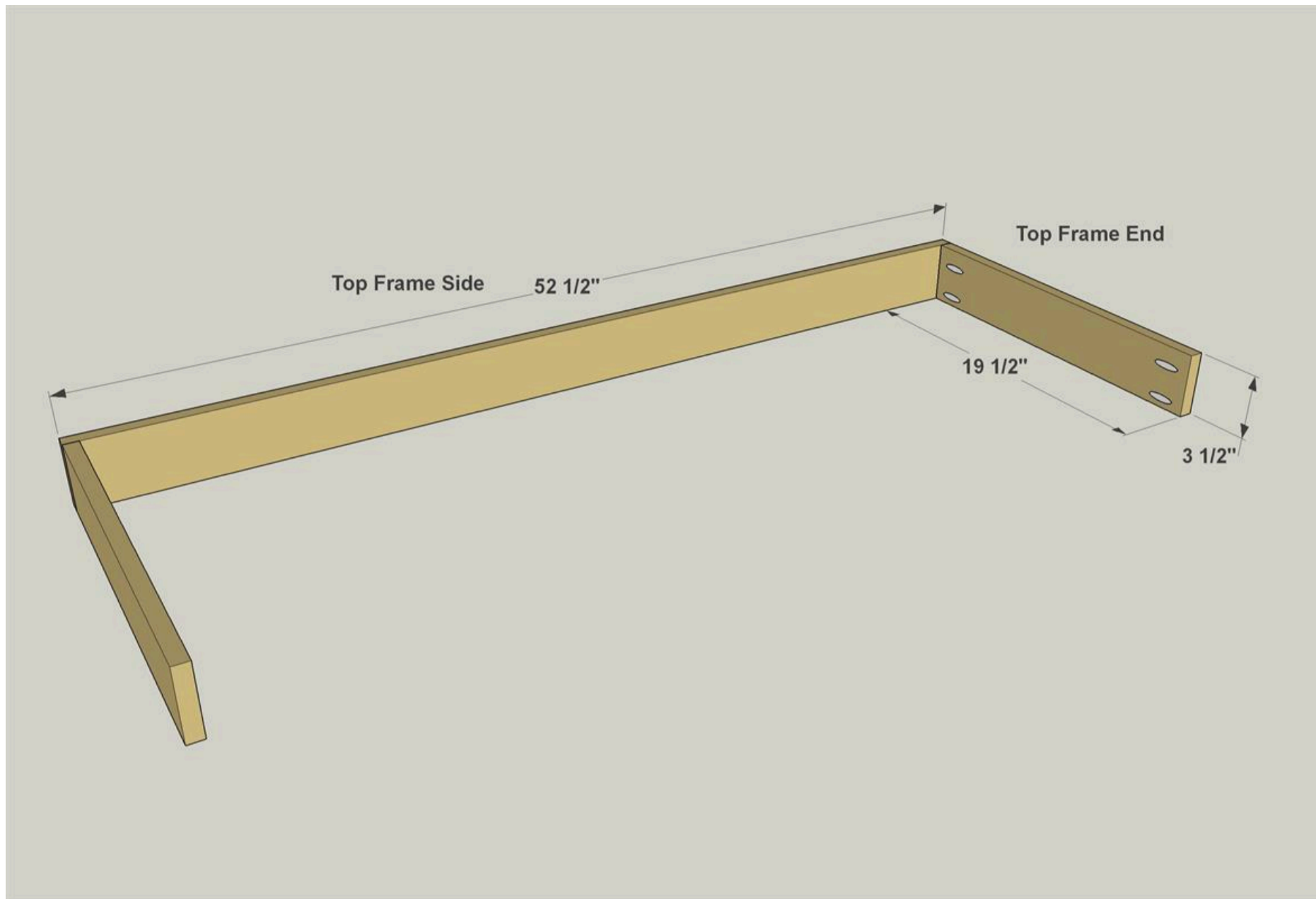
Cut the Top Ends and Top Sides from 1x4 cedar as shown in the cutting diagram. With your pocket hole jig set for 3/4" material, drill pocket holes in the Top Ends, as shown.



16

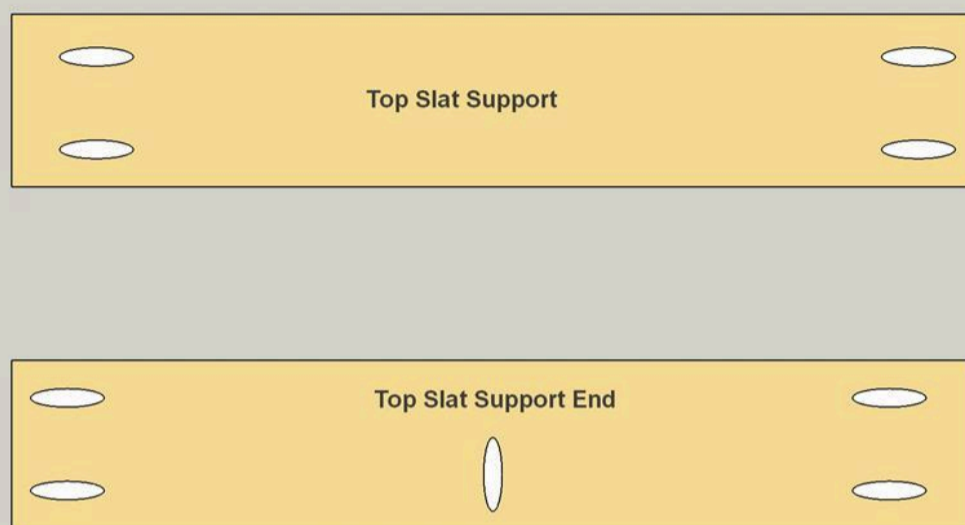
Assemble the Top Frame

Secure the two Top Ends to the Top Sides with 1 1/4" exterior-rated pocket hole screws to create the Frame.



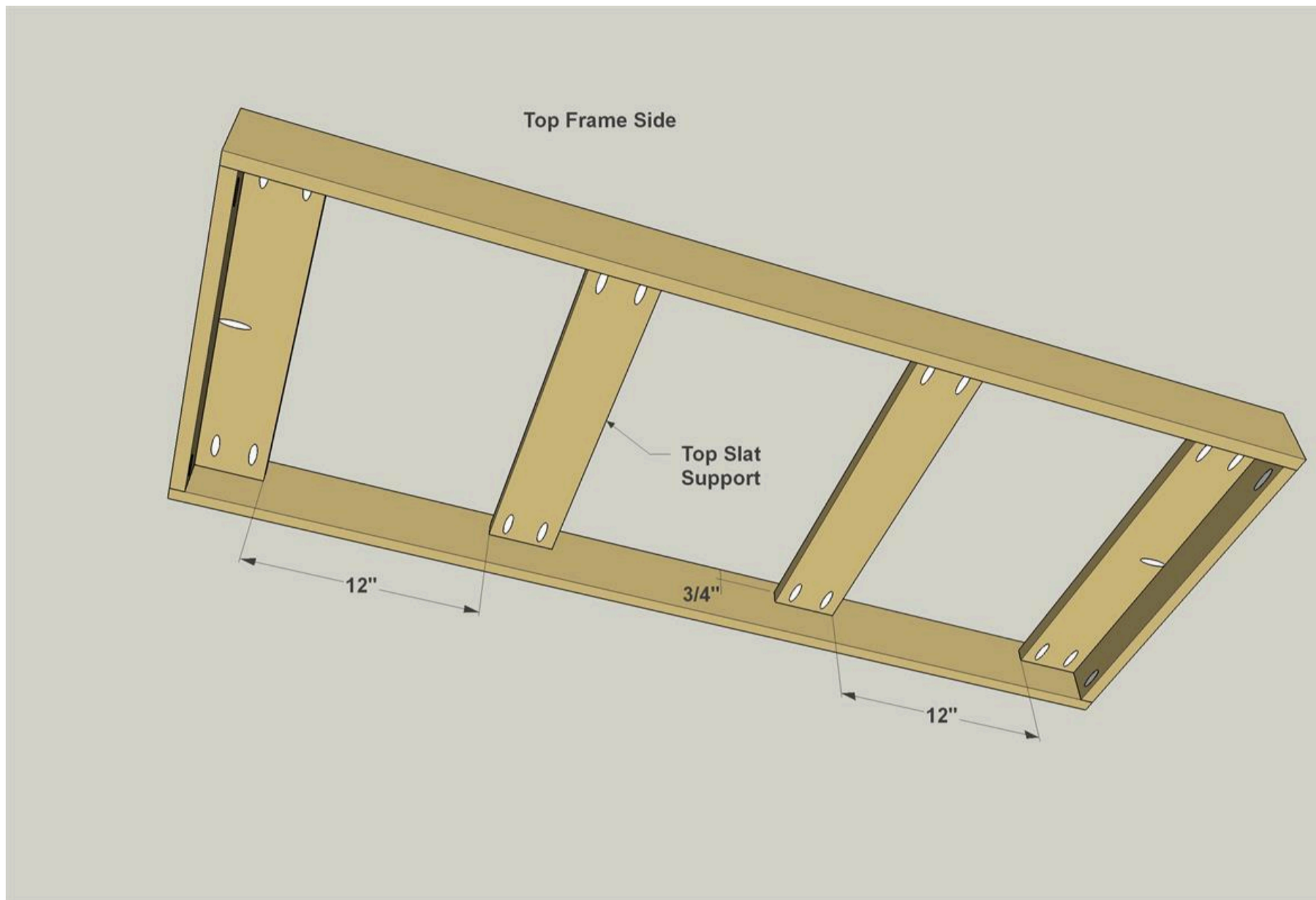
17**Make Slat Supports**

Cut four Slat Supports to length from 1x4 boards, as shown in the cutting diagram. With your pocket hole jig set for 3/4" material, drill pocket holes in the ends of all four pieces, and along one edge of two pieces.



18**Install the Slat Supports**

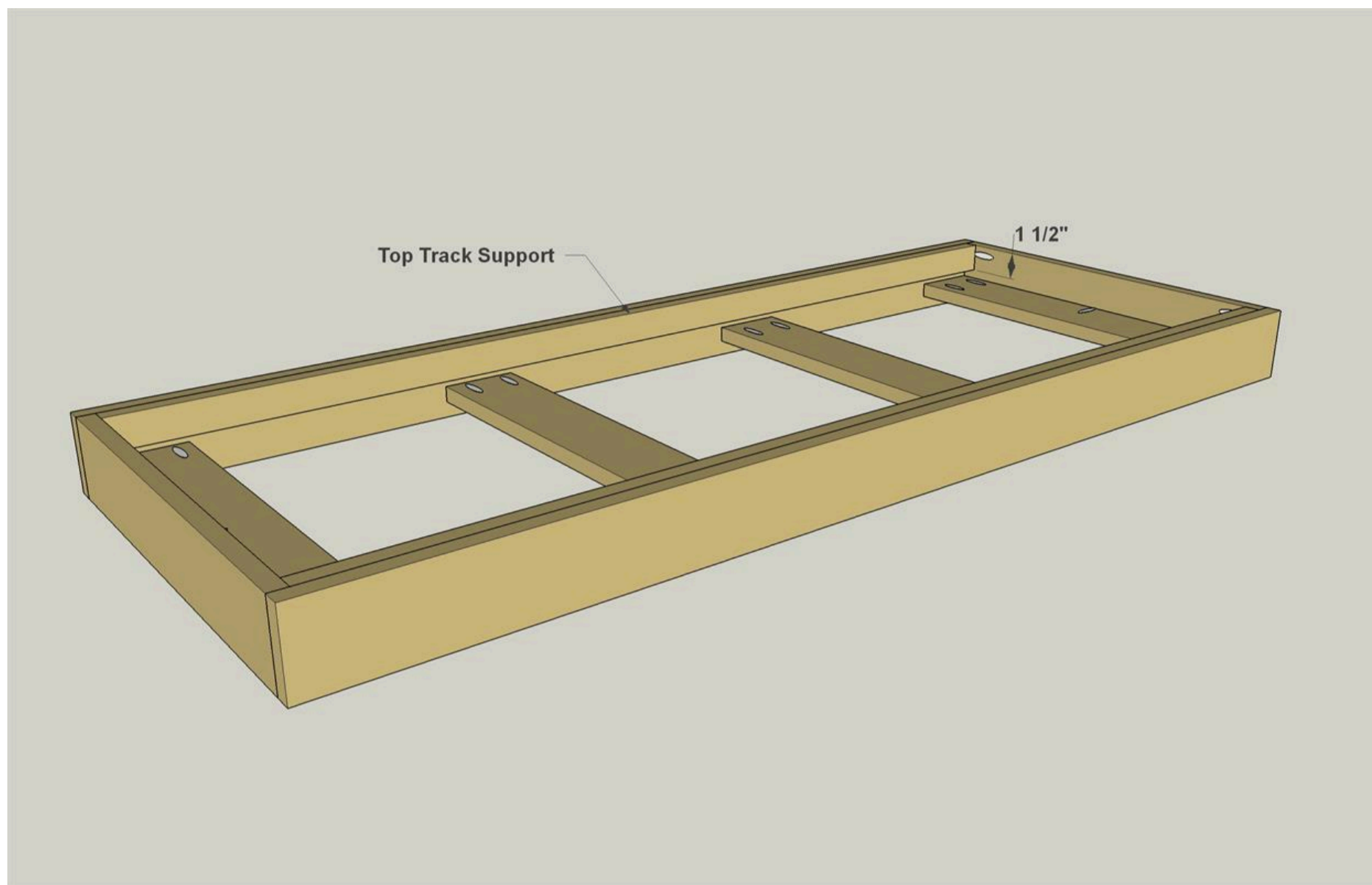
Install the four Slat Supports to the Top Frame where shown with 1 1/4" exterior-rated pocket hole screws. Make sure to note the Supports are spaced 3/4" down so that the slats will fit flush when they're installed.



19

Add a Top Track Support

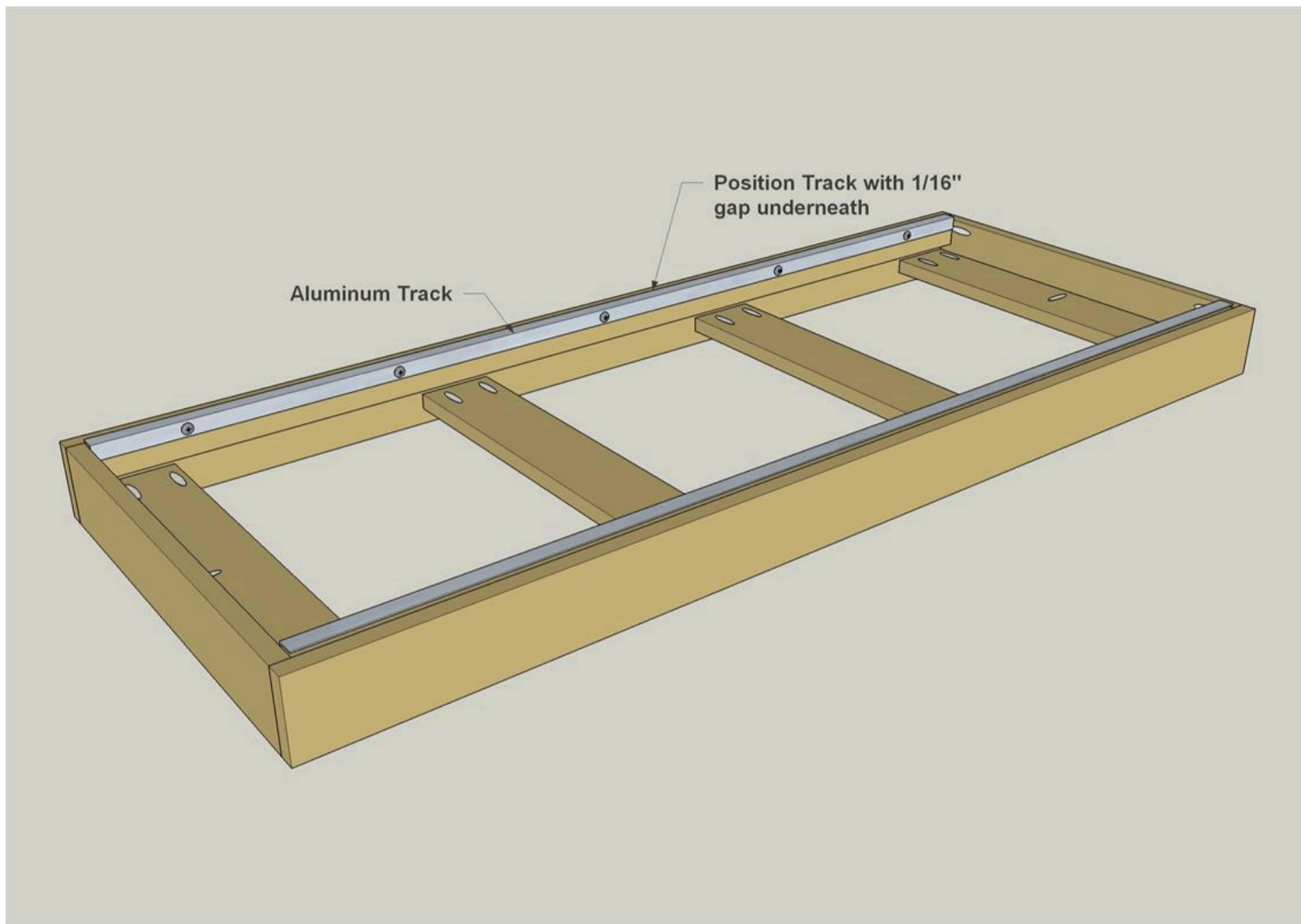
Cut two Top Track Supports to length from 1x2 boards, as shown in the cutting diagram. Then attach the Track Supports to the Top Sides with glue and brad nails.



20

Add Top Tracks

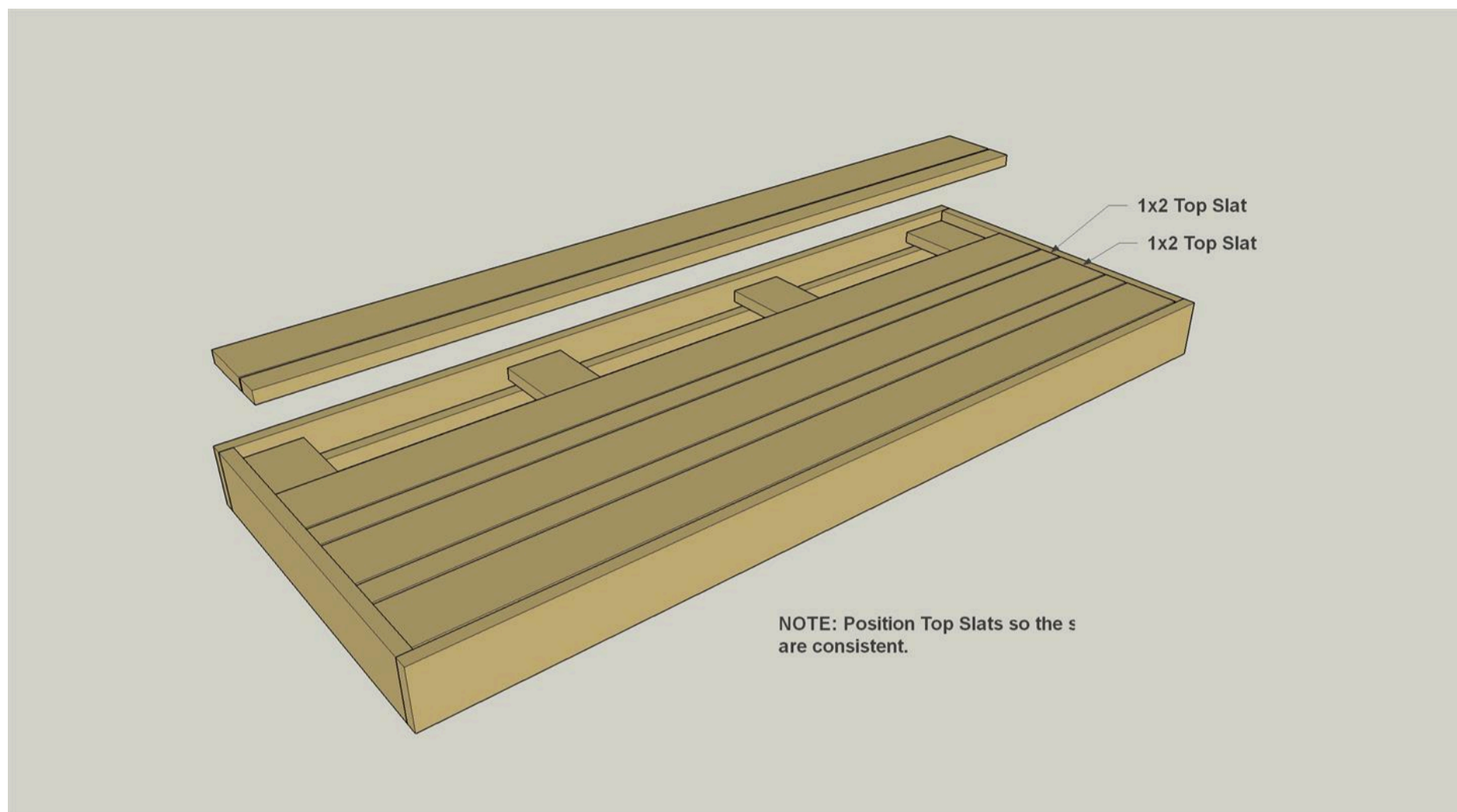
Now you can cut a pair of aluminum Top Tracks to 51" long, and mount them to the Top Track Supports using 5/8" sheet metal screws. Note that these tracks are positioned so there's a 1/16" gap between them and the Top Track Supports. That lets them clear the Bottom Tracks.



21

Make Top Slats

Cut Narrow Top Slats and Wide Top Slats to length from 1x2 and 1x4 cedar, as shown in the cutting diagram. Then, install the Top Slats using glue and brad nails.



22

Stain, Add Handles, and Assemble

With the parts all complete, protect everything with exterior stain or finish. Deck stain is a good choice. Once that dries, you can add a handle to the top and to the leg-end of the base. Rub some wax on the aluminum tracks for smooth sliding, and then slide the top on.