

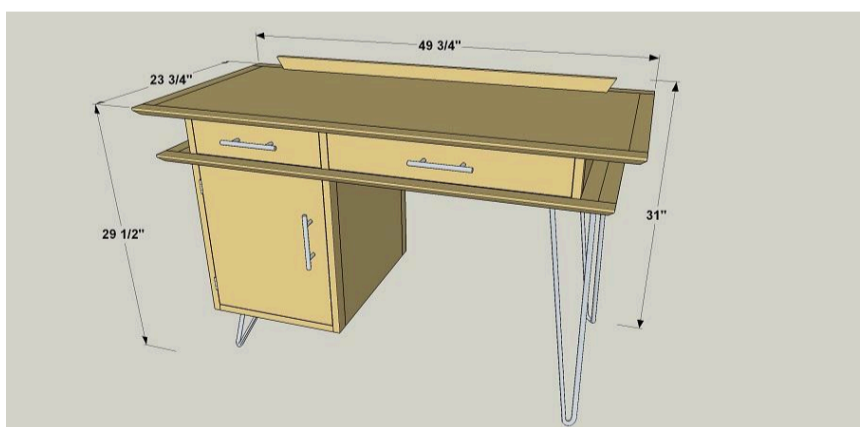
Mid-Century Modern Desk

By **Kreg Tool**

Difficulty

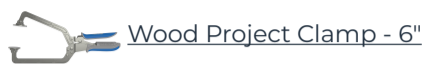
Advanced

This desk perfectly captures the spirit of mid-century modern with its naturally finished maple wood, stainless steel hairpin legs, and strong lines. But this desk isn't just about good looks. It offers lots of work space, storage, and a pair of drawers.



Tools

Kreg Tools



Other Tools

Circular Saw (corded)

Miter Saw

Square

Tape Measure

Drill (cordless)

Router

Sander

Materials

Wood Products

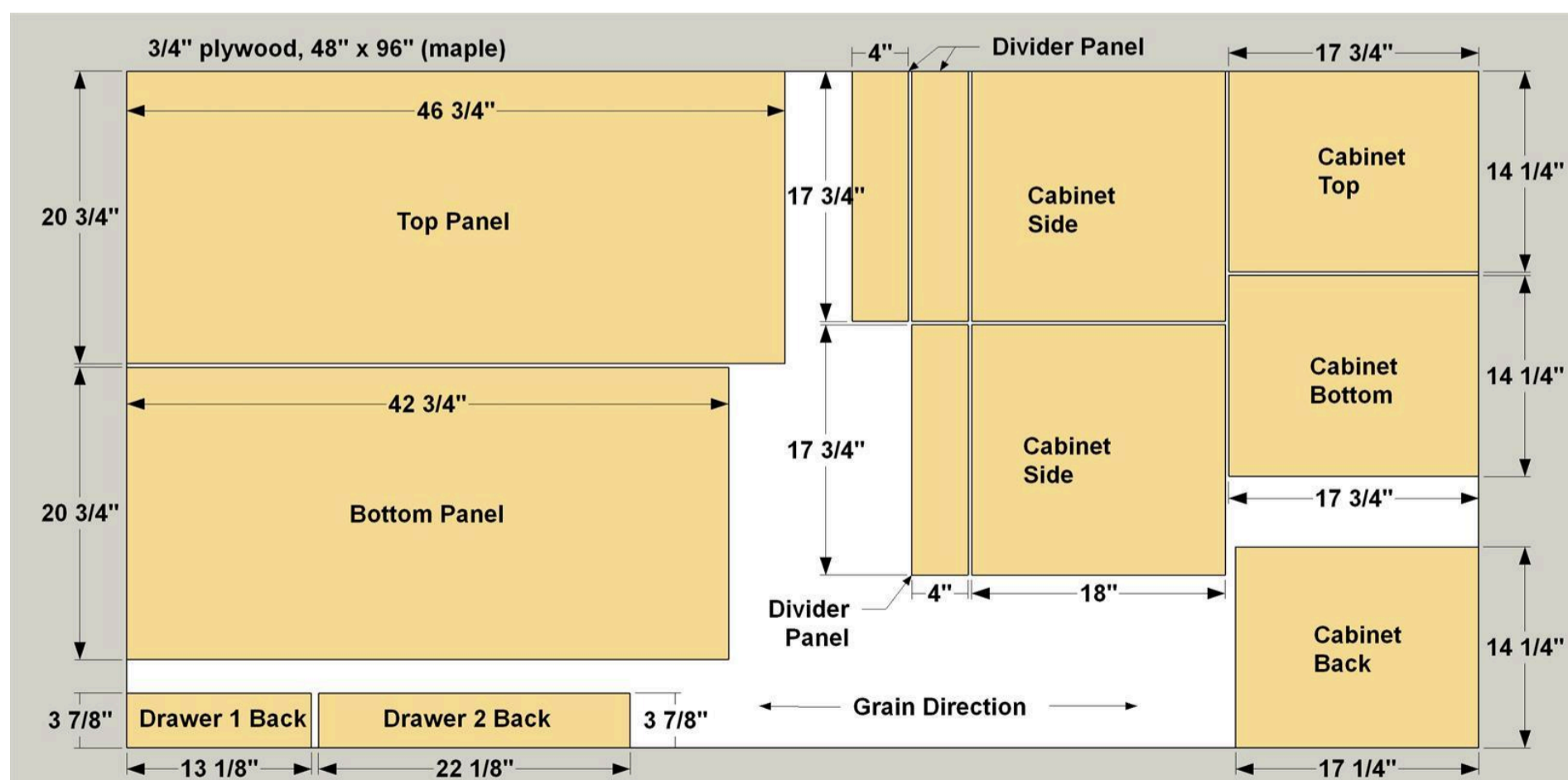
- 1 Plywood , 3/4" Thick , Full Sheet
- 1 Plywood , 3/4" Thick , Half Sheet
- 1 Plywood , 1/2" Thick , Half Sheet
- 6 Board , 1x2 , 96"

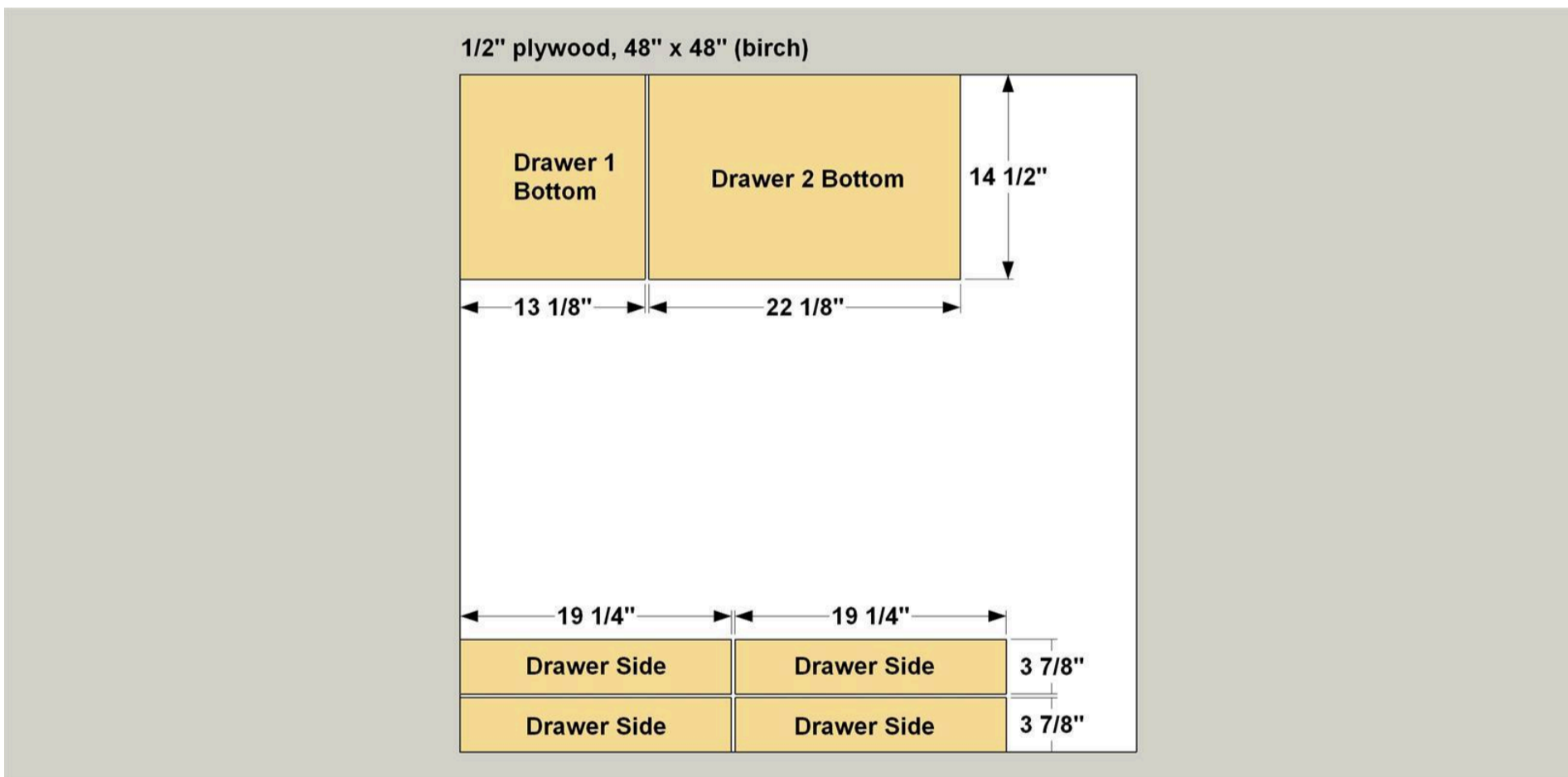
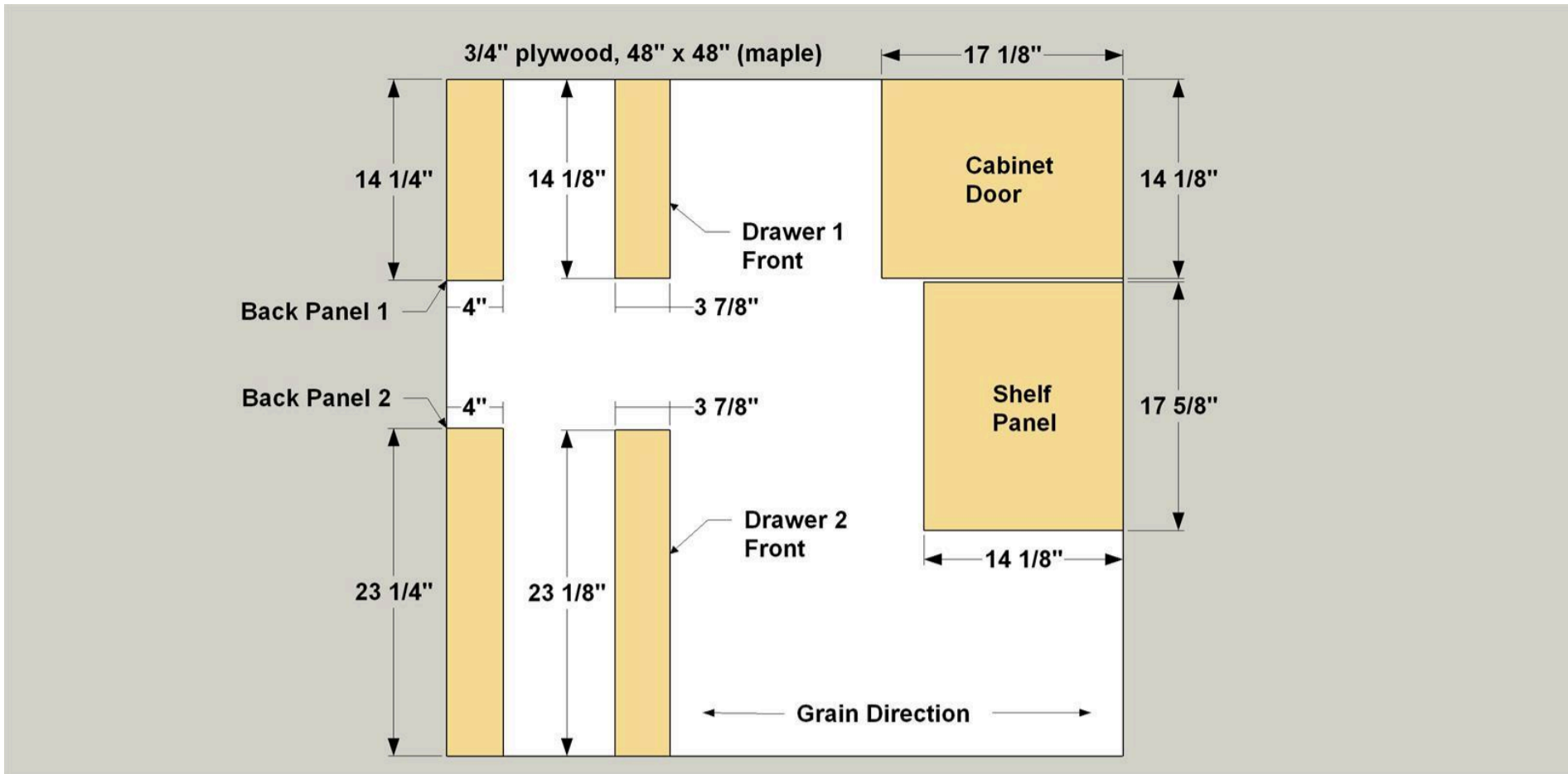
Hardware & Supplies

- 60 1" Fine-thread Panhead Pocket-hole Screws
- 100 1 1/4" Fine-thread Pocket Hole Screws
- 22 #8 X 2" Flathead Wood Screws
- 8 #8 X 1 1/2" Flathead Wood Screws
- 12 #8 X 1 1/4" Flathead Wood Screws
- 2 6" Hairpin Legs
- 2 24" Hairpin Legs
- 12 #12 X 5/8" Panhead Screws
- 4 5mm Shelf Pins
- 1 1 1/2" No-mortise Door Hinges
- 1 Cabinet Door Catch With Strike
- 3 6" Bar Pulls
- 1 7/8" X 25 Ft. Roll Birch Iron-on Veneer Tape
- 1 Quart Oil-based Or Water-based Clear Finish

Cut List & Parts

- 2 Top Long Edging , 3/4" X 1 1/2" X 94 3/4"
- 2 Bottom Long Edging , 3/4" X 1 1/2" X 45 3/4"
- 4 End Edging , 3/4" X 1 1/2" X 20 3/4"
- 1 Top Panel , 3/4" Ply X 20 3/4" X 46 3/4"
- 1 Bottom Panel , 3/4" Ply X 20 3/4" X 42 3/4"
- 1 Rail , 3/4" X 1 1/2" X 41 1/2"
- 6 Divider Edging , 3/4" X 1 1/2" X 4"
- 1 Back 1 , 3/4" Ply X 4" X 14 1/4"
- 1 Back 2 , 3/4" Ply X 4" X 23 1/4"
- 3 Divider Panel , 3/4" Ply X 4" X 17 1/4"
- 3 Cabinet Top/Bottom Edging , 3/4" X 1 1/2" X 14 1/4"
- 4 Side Edging , 3/4" X 1 1/2" X 18"
- 2 Cabinet Top/Bottom Panel , 3/4" Ply X 14 1/4" X 17 3/4"
- 2 Cabinet Side Panel , 3/4" Ply X 17 3/4" X 18"
- 1 Cabinet Back , 3/4" X 14 1/4" X 17 1/4"
- 1 Shelf Edging , 3/4" X 1 1/2" X 14 1/8"
- 1 Shelf Panel , 3/4" Ply X 17 5/8" X 14 1/8"
- 1 Door , 3/4" Ply X 14 1/8" X 17 1/8"
- 1 Drawer 1 Front , 3/4" Ply X 14 1/8" X 3 7/8"
- 1 Drawer 2 Front , 3/4" Ply X 23 1/8" X 3 7/8"
- 1 Drawer 1 Back , 3/4" Ply X 3 7/8" X 13 1/8"
- 1 Drawer 2 Back , 3/4" Ply X 3 7/8" X 22 1/8"
- 4 Drawer Side , 1/2" Ply X 3 7/8" X 19 1/4"
- 1 Drawer 1 Bottom , 1/2" Ply X 14 1/2" X 13 1/8"
- 1 Drawer 2 Bottom , 1/2" Ply X 14 1/2" X 22 1/8"





1 x 2 x 96" (maple)



1 x 2 x 96" (maple)



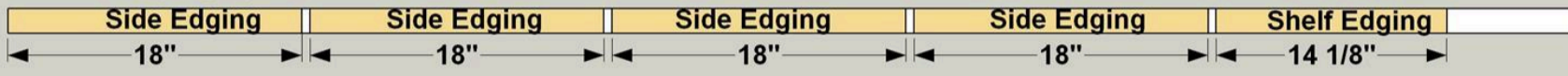
1 x 2 x 96" (maple)



1 x 2 x 96" (maple)



1 x 2 x 96" (maple)



1 x 2 x 96" (maple)

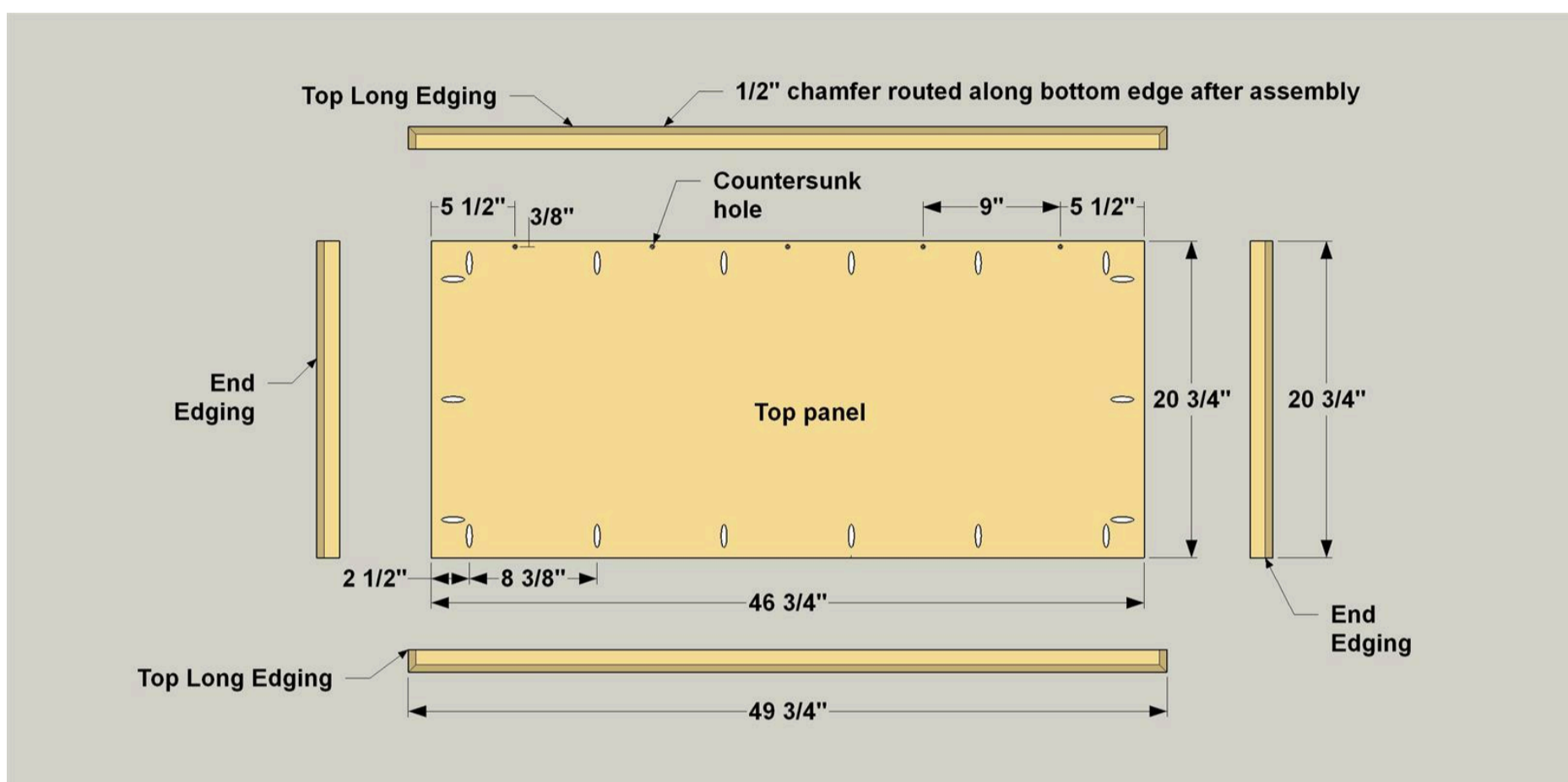


Directions

1

Create the Desk Top Parts

Cut the two pieces of Top Long Edging and four pieces of End Edging to length from 1x2 boards, as shown in the cutting diagram. Measure and mark carefully to make sure all of the like parts are exactly the same length. Also cut the Top Panel to size from 3/4" plywood, as shown in the cutting diagram. Then, with your pocket hole jig set for 3/4" material, drill pocket holes in the underside face of the Top Panel. You also need to drill a series of countersunk holes for #8 flathead screws along the back edge of the Top Panel, as shown. These will be used to attach the desk Rail later.



2

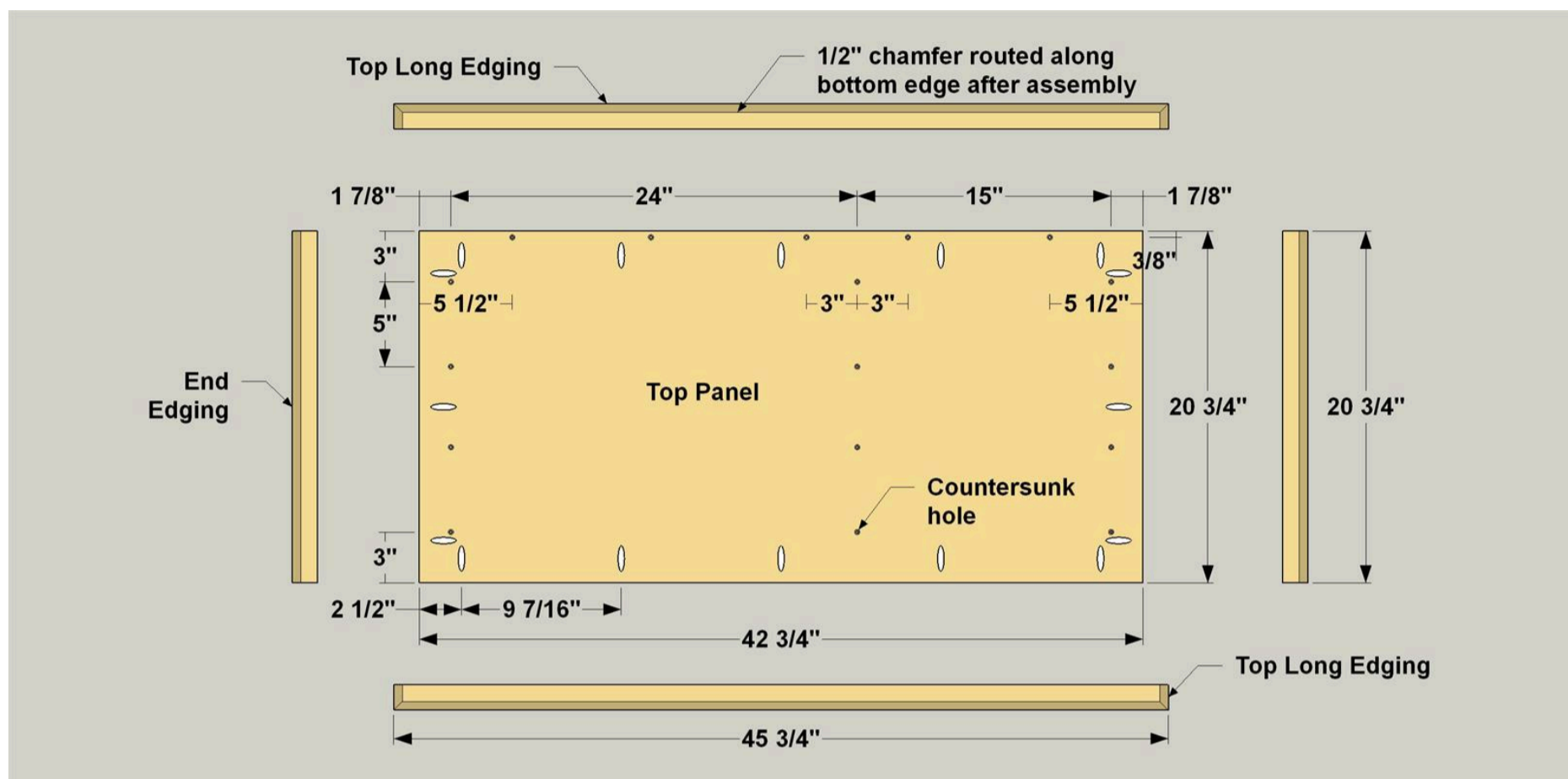
Attach the Top Edging

Now you can attach the edging to the Top Panel. Start by attaching the End Edging using glue and 1 1/4" pocket-hole screws. Make sure the ends of the edging are flush with the edges of the Top Panel and edges of the panel are flush. After attaching the Edging, rout a 1/2" chamfer on the underside of the Edging. With that done, you can sand the Top assembly to prepare for finishing later. Don't sand the plywood too aggressively, or you could sand through the thin veneer. You can probably start sanding with 150-grit, and then go to 180-grit.

3

Create the Desk Bottom Parts

Cut two pieces of Bottom Long Edging to length from 1x2 boards, as shown in the cutting diagram. Retrieve the two pieces of End Edging that you set aside earlier, as well. Also cut one Bottom Panel to size from 3/4" plywood, as shown in the cutting diagram. With your pocket hole jig set for 3/4" material, drill pocket holes in the underside face of the Bottom Panel. You also need to drill countersunk holes for #8 flathead screws in this panel where shown. These will be used to attach the Desk Bottom to the drawer box assembly later.



4

Attach the Bottom Edging

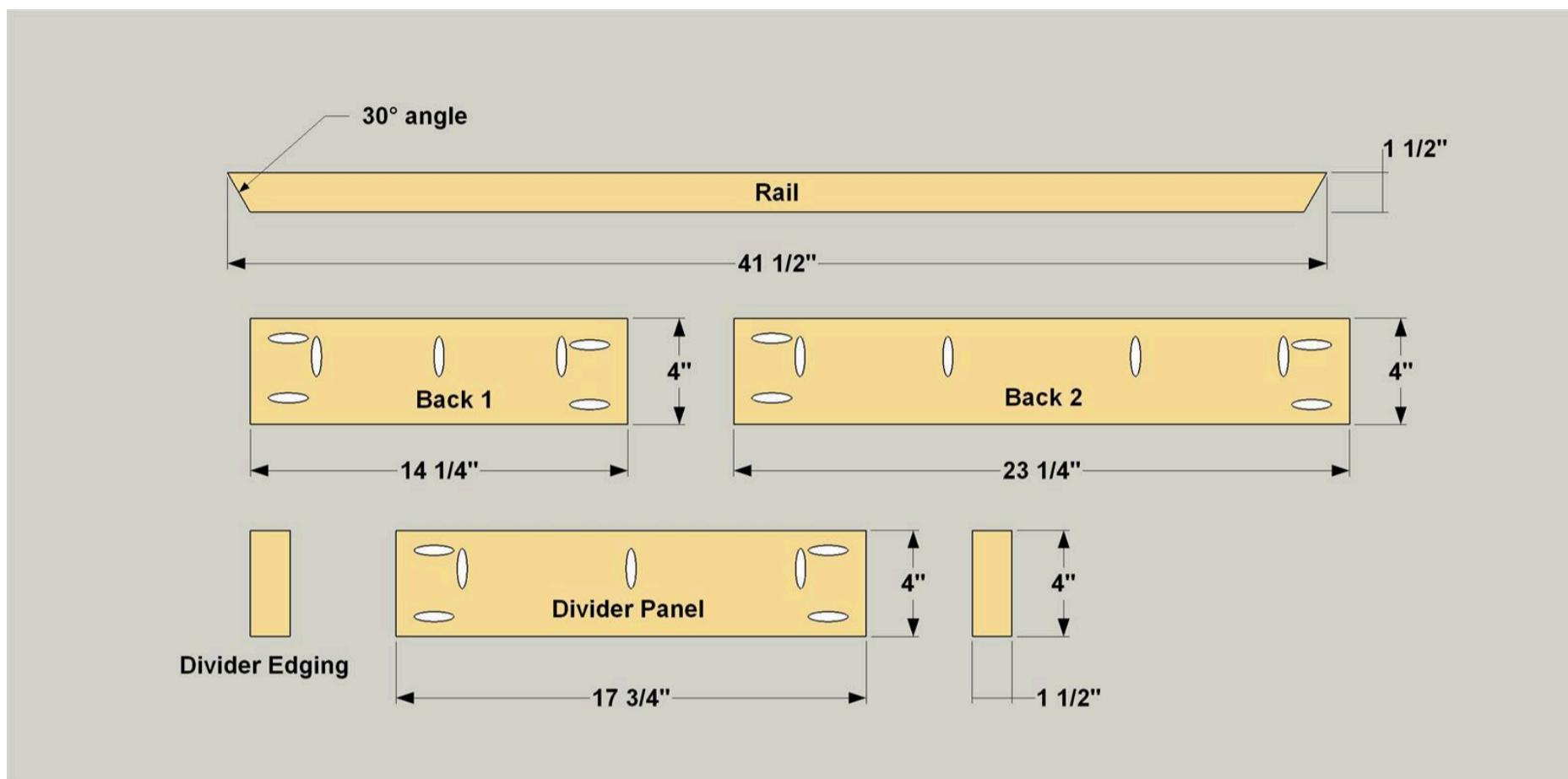
Now you can attach the edging to the Bottom Panel in the same way you did with the Top Panel. Then rout a chamfer on the underside of this assembly, and then sand the assembly smooth.

5

Cut the Rail and Drawer Box Parts

Cut one Rail to length from a 1x2 maple board, as shown in the cutting diagram. Set your miter saw at 30° to cut the angled ends. Also cut six pieces of Divider Edging to length from 1x2 maple boards.

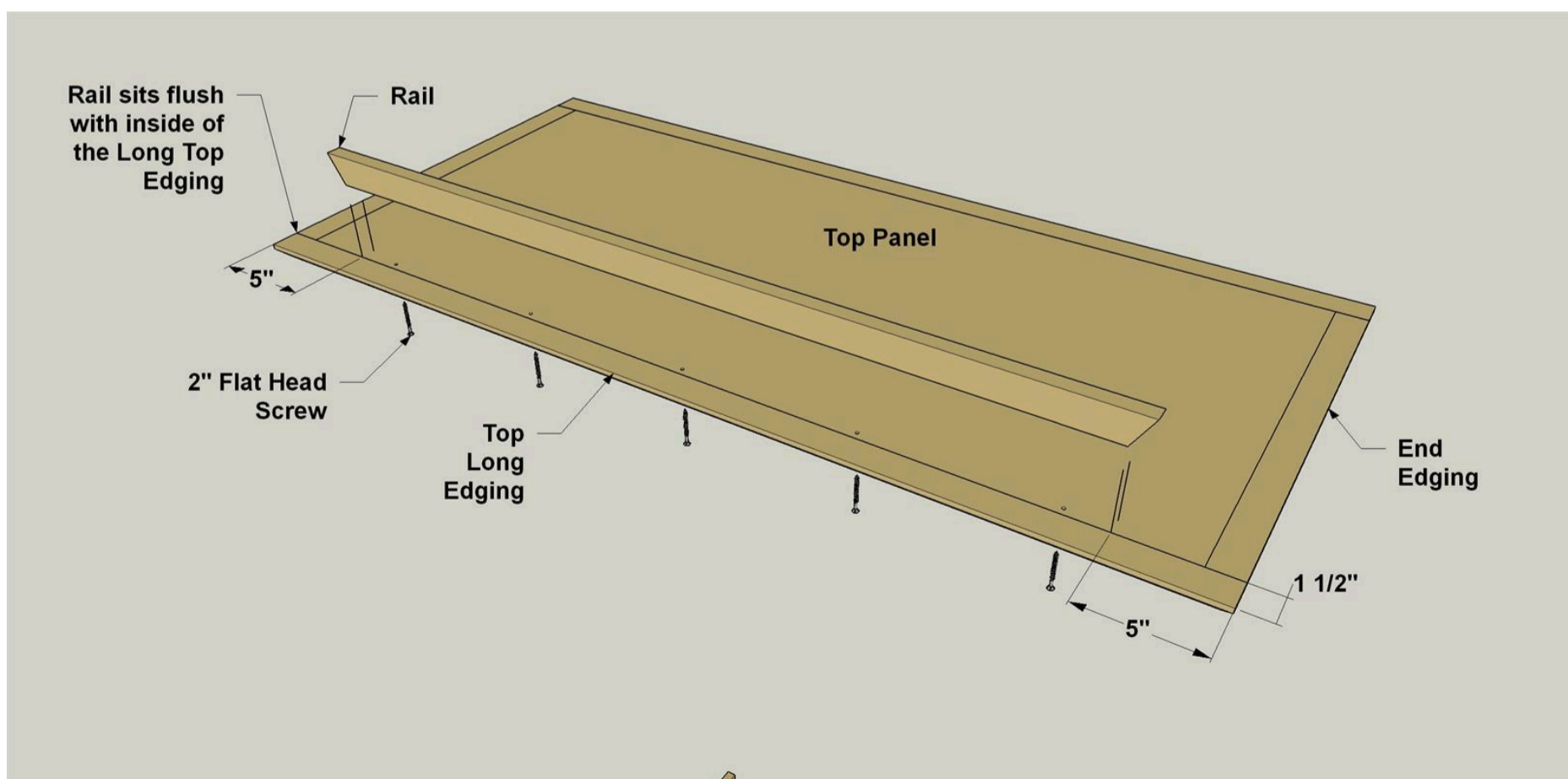
Cut a Back 1, a Back 2, and three Divider Panels to size from 3/4" maple plywood, as shown in the cutting diagram. With your pocket hole jig set for 3/4" material, drill pocket holes in the inside faces of each Divider, as shown. Then you can attach the Divider Edging to the Divider Panels using 1 1/4" pocket-hole screws. Be sure to keep the outer faces of the Divider Edging flush with the outer "show" face of each divider. With the pieces assembled, you can sand them to prepare for finishing later.



6

Attach the Rail

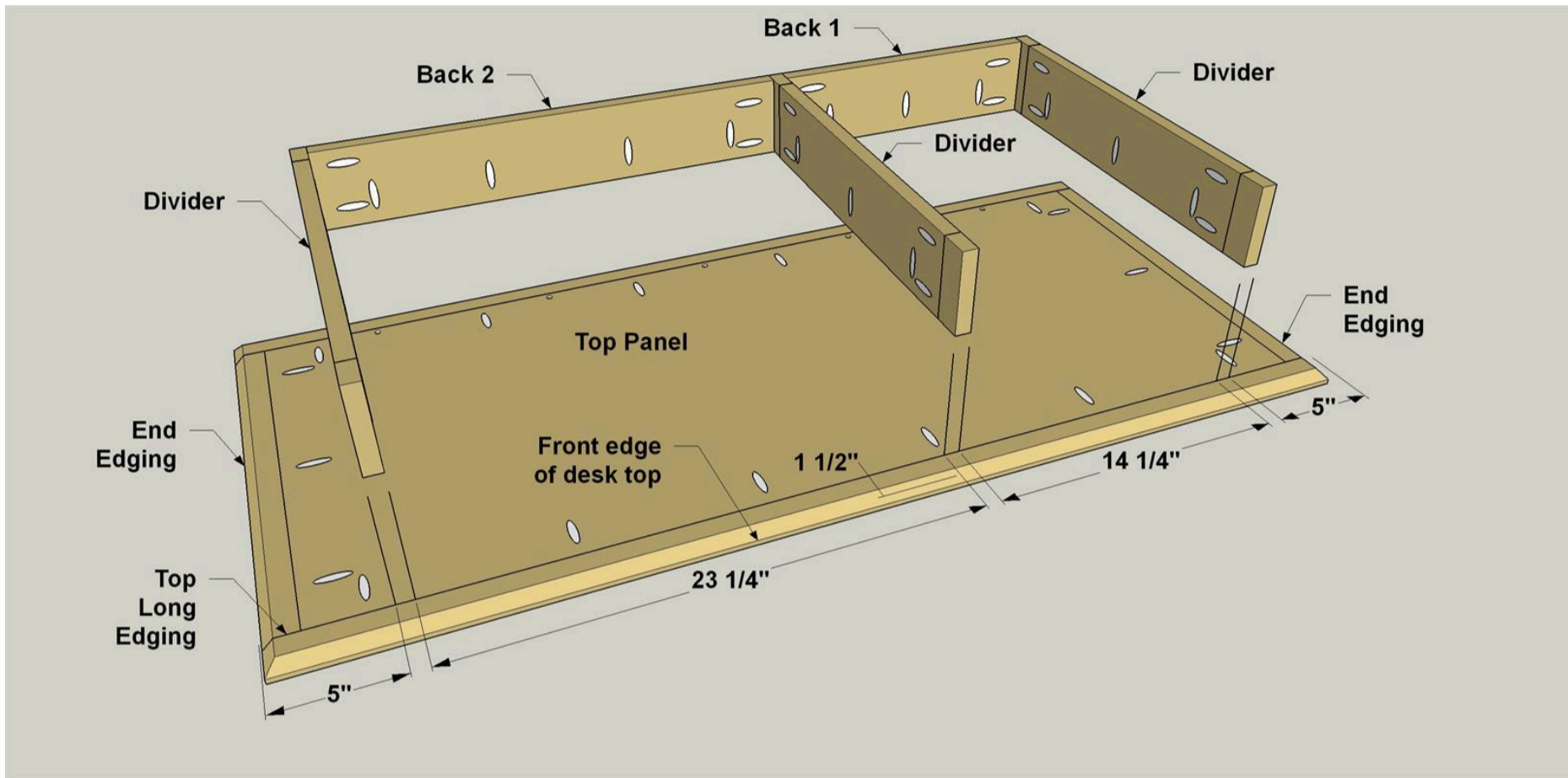
Clamp the Rail to the Top Assembly, aligning the back face of the Rail with the inside edge of the rear Long Edging. Make sure the Rail is centered on the desk top assembly from end to end. Using the countersunk holes in the Top Panel as guides, drill pilot holes into the Rail. Then attach the rail using #8 x 2" flathead screws.



7

Attach the Drawer Box to the Top

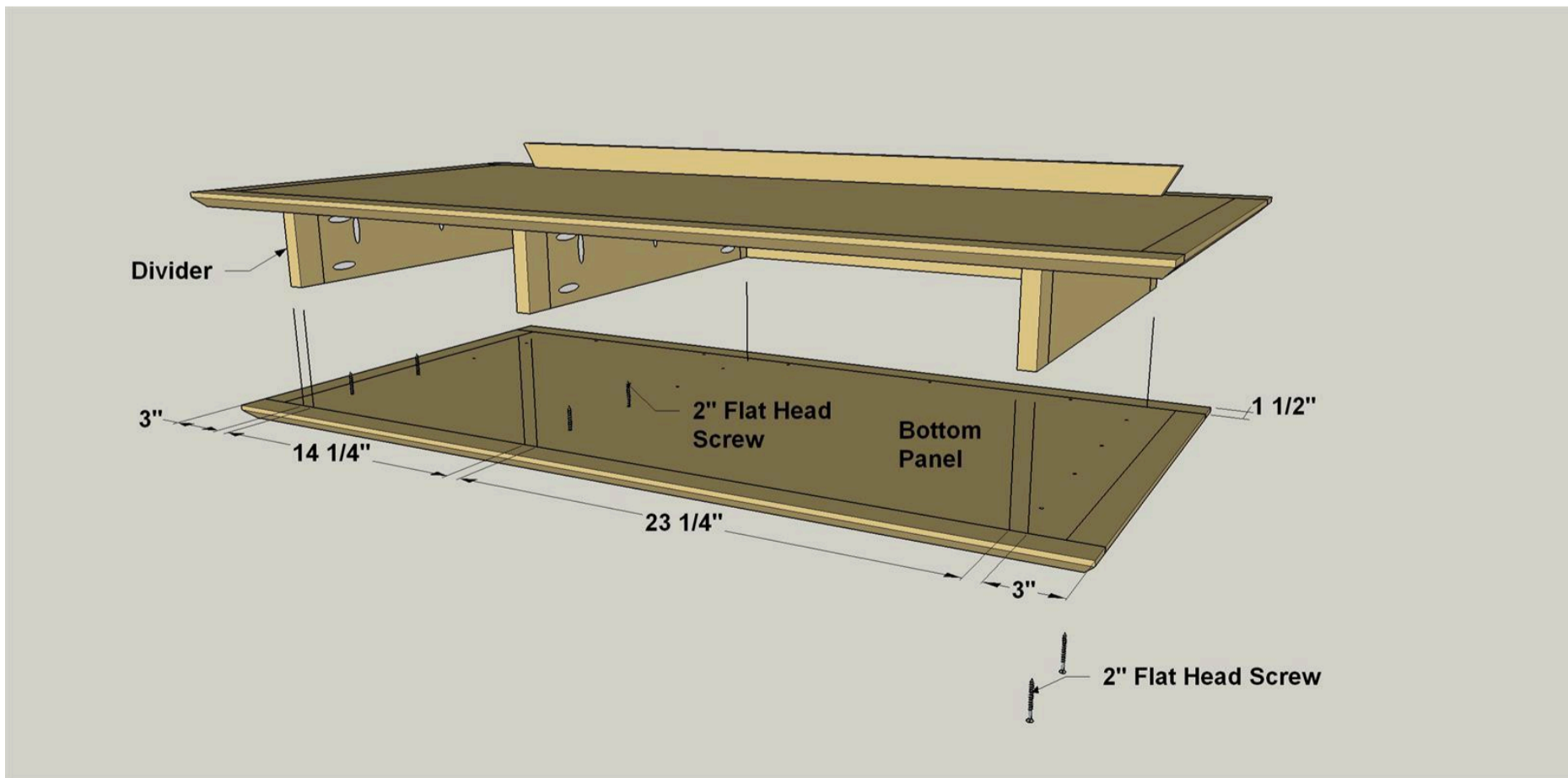
Attach the Divider assemblies to Back1 and Back 2 using 1 1/4" pocket screws, keeping the rear edges of the Dividers and rear faces of the Backs flush. Position the divider/back assembly desk top, as shown, and then fasten just the Backs to the Top Panel with 1" panhead pocket-hole screws. Use a square to align the Dividers perpendicular to the Backs and measure to make sure the distances between the Dividers are the same at the front and rear. Clamp the Dividers to the Desk Top and drive 1" panhead pocket-hole screws. Before assembling the Backs and Dividers, make sure the Dividers fit between the Desk Top front and rear Long Edging. If necessary, trim the rear Divider Edging and sand the trimmed edges smooth.



8

Attach the Bottom

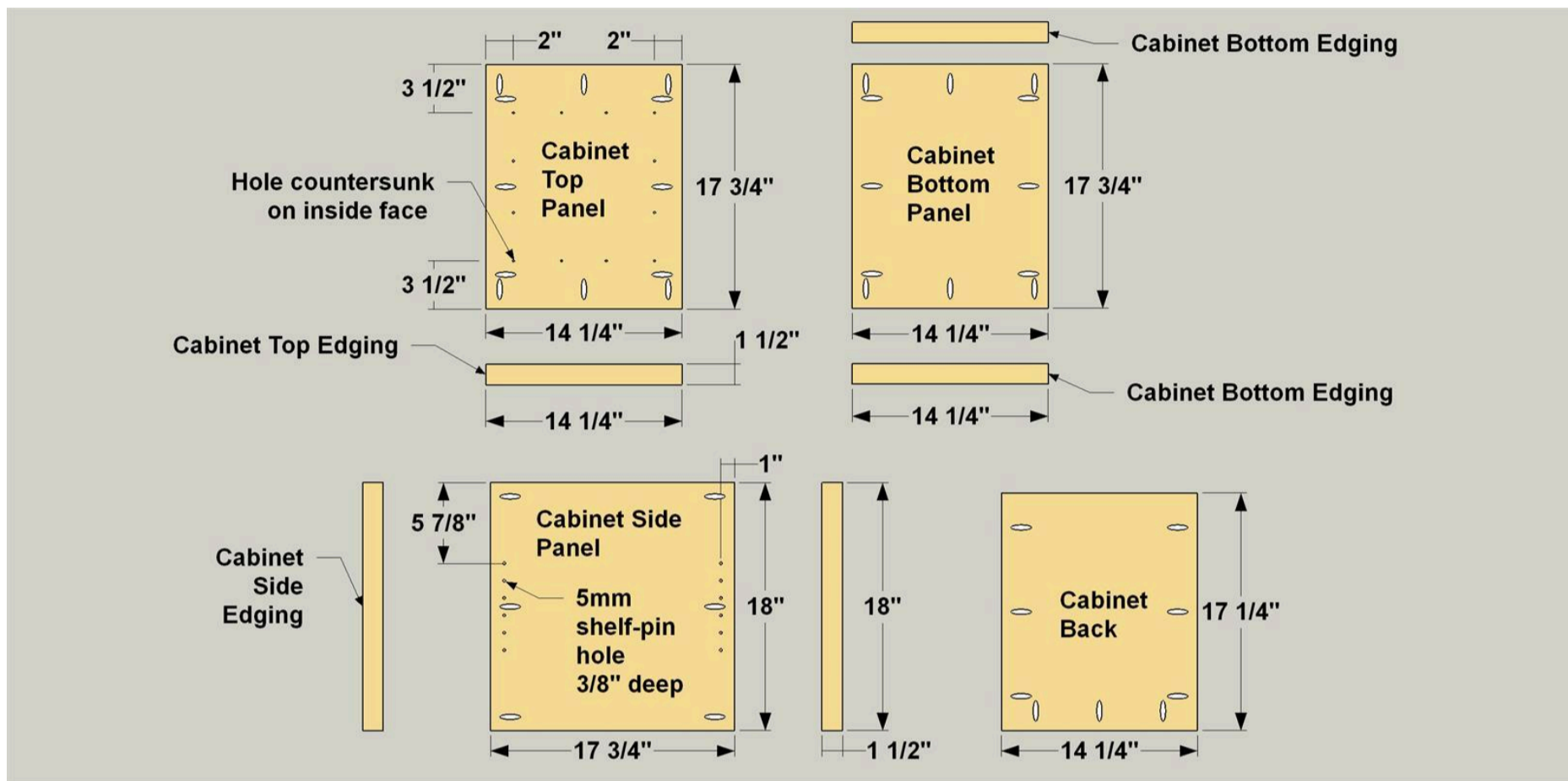
Center the Desk Bottom on the divider/back assembly, as shown, and clamp it in place. Using the countersunk holes in the Bottom Panel as guides, drill pilot holes into the Backs and Dividers and drive #8 x 2" flathead screws.



9

Make the Cabinet Parts

Cut the Cabinet Top/Bottom Edging and Cabinet Side Edging to length from 1x2 maple boards, as shown in the cutting diagram. Cut the Cabinet Top/Bottom Panels, Cabinet Side Panels, and Cabinet Back to size from 3/4" maple plywood, as shown in the cutting diagram. With your pocket hole jig set for 3/4" material, drill pocket holes in the outer face of the Top Panel, the lower face of the Bottom Panel, and inside faces of the Side Panels and Back, as shown. Drill holes in the Cabinet Top for the #8 screws that will fasten the cabinet to the Bottom Panel, countersinking them on the inside face (the face opposite the pocket holes).



10

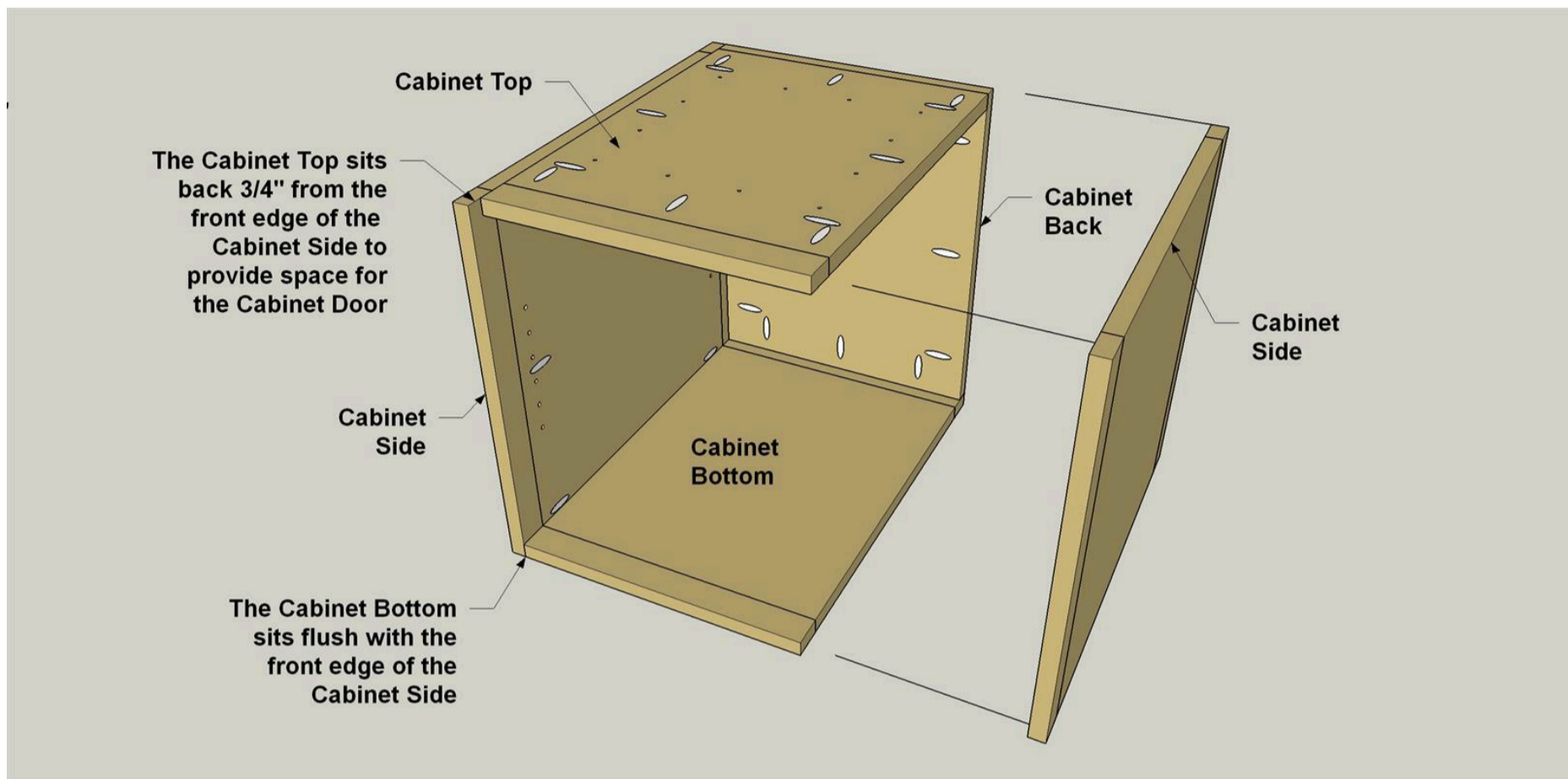
Add Shelf Pin Holes, Attach Edging

Use a shelf-pin jig to drill shelf-pin holes 3/8" deep, centered top-to-bottom, in the inside faces of the Side Panels. After that, you can attach the edging as shown to all of the cabinet parts.

11

Assemble the Cabinet

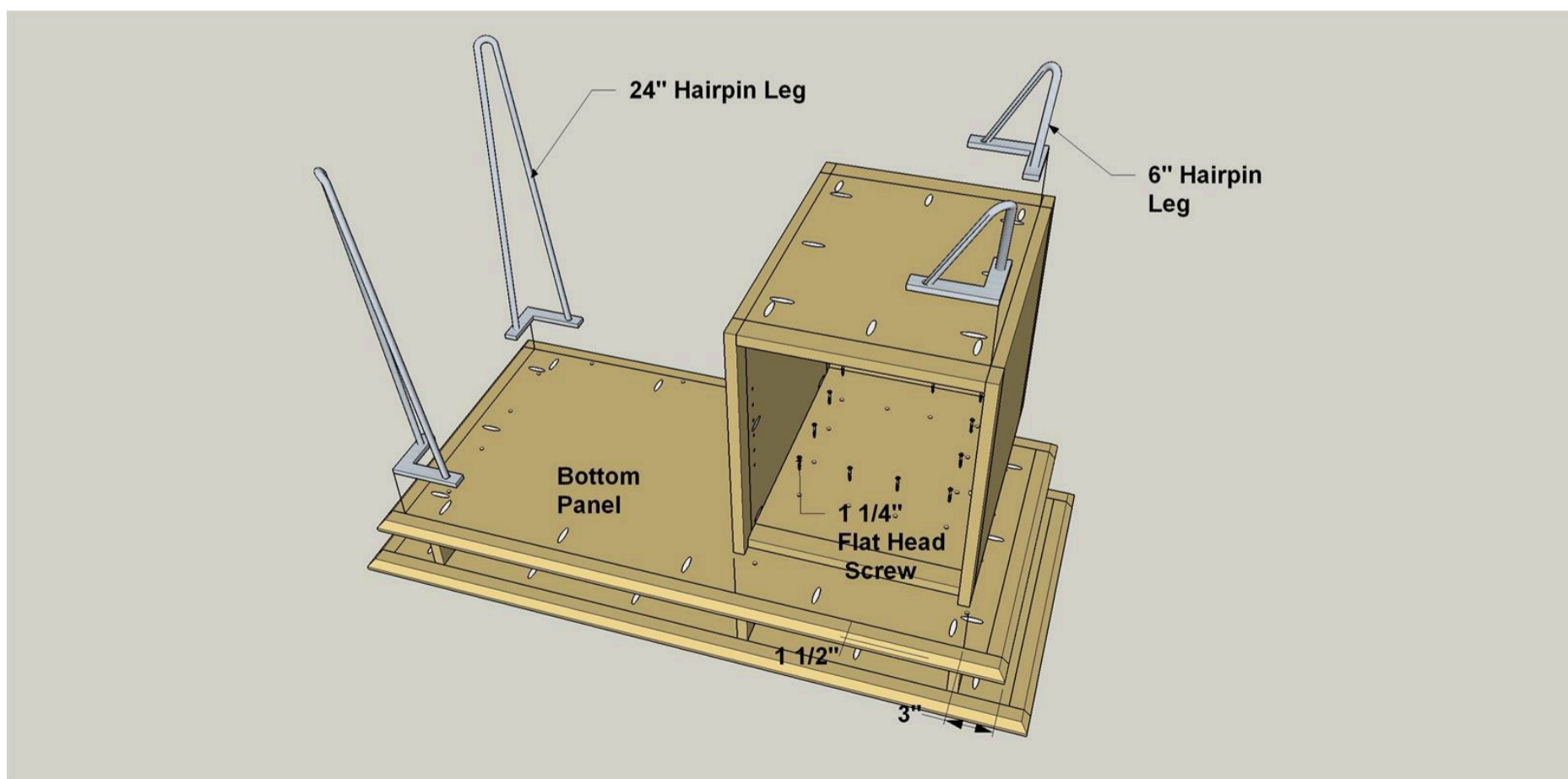
Now you can assemble the cabinet, as shown. Make sure that you align all of the pieces properly so that the cabinet top assembly is set back. This will provide space for the cabinet door when it gets attached later. Use 1" panhead pocket-hole screws to assemble the cabinet.



12

Attach the Cabinet and Add the Legs

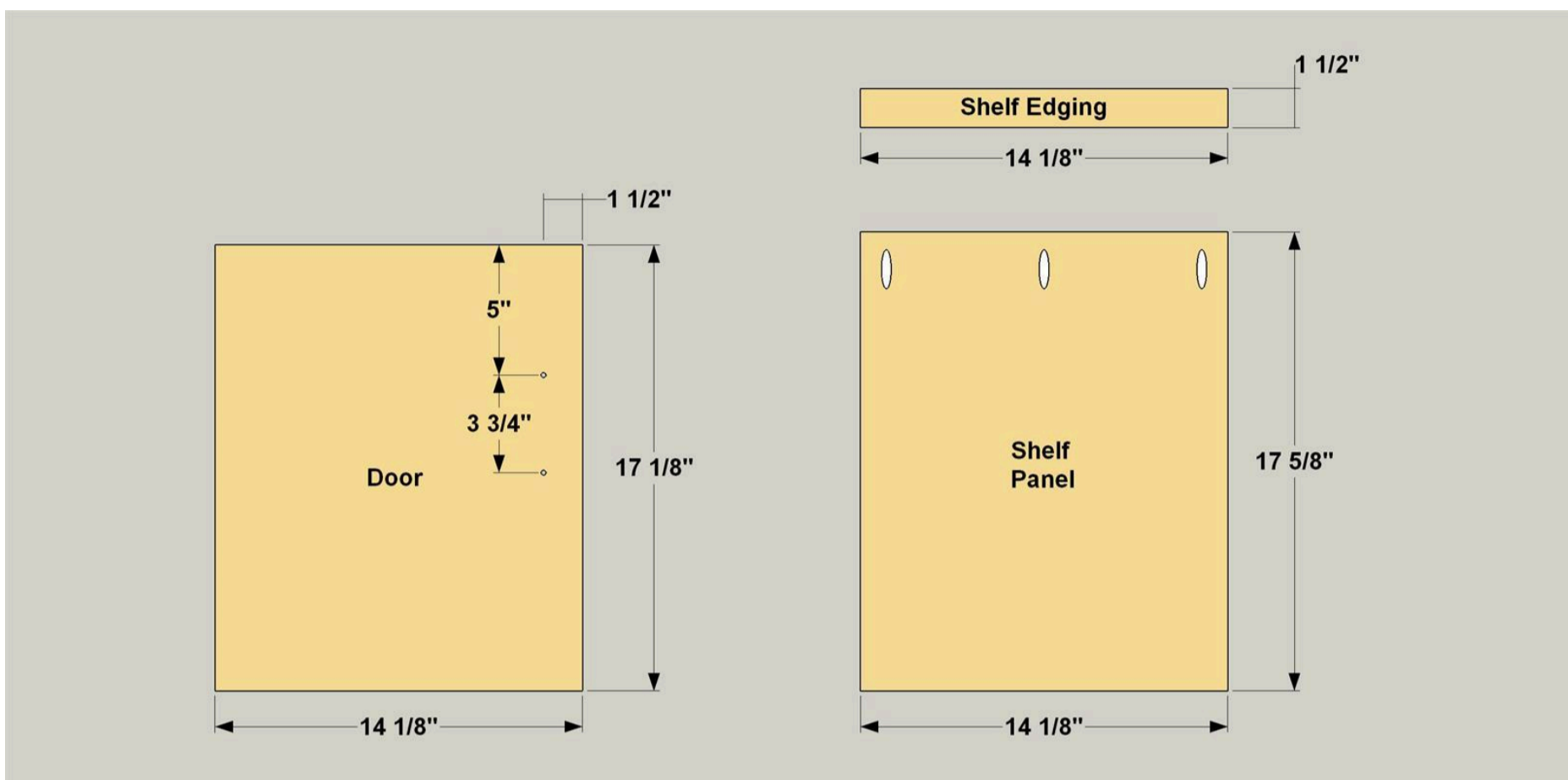
Position the cabinet on the Bottom Panel as shown, aligning the Cabinet Sides with the end and middle Dividers. Clamp the cabinet in place and drive 1 1/4" flathead wood screws. Position the hairpin legs so the mounting plates nest into the corners formed by the Edging. Using the holes in the mounting plates as guides, trace mounting-hole locations onto the desk parts. Remove the legs and drill pilot holes. Replace the legs and drive #12 x 5/8" panhead screws.



13

Make the Shelf and Door

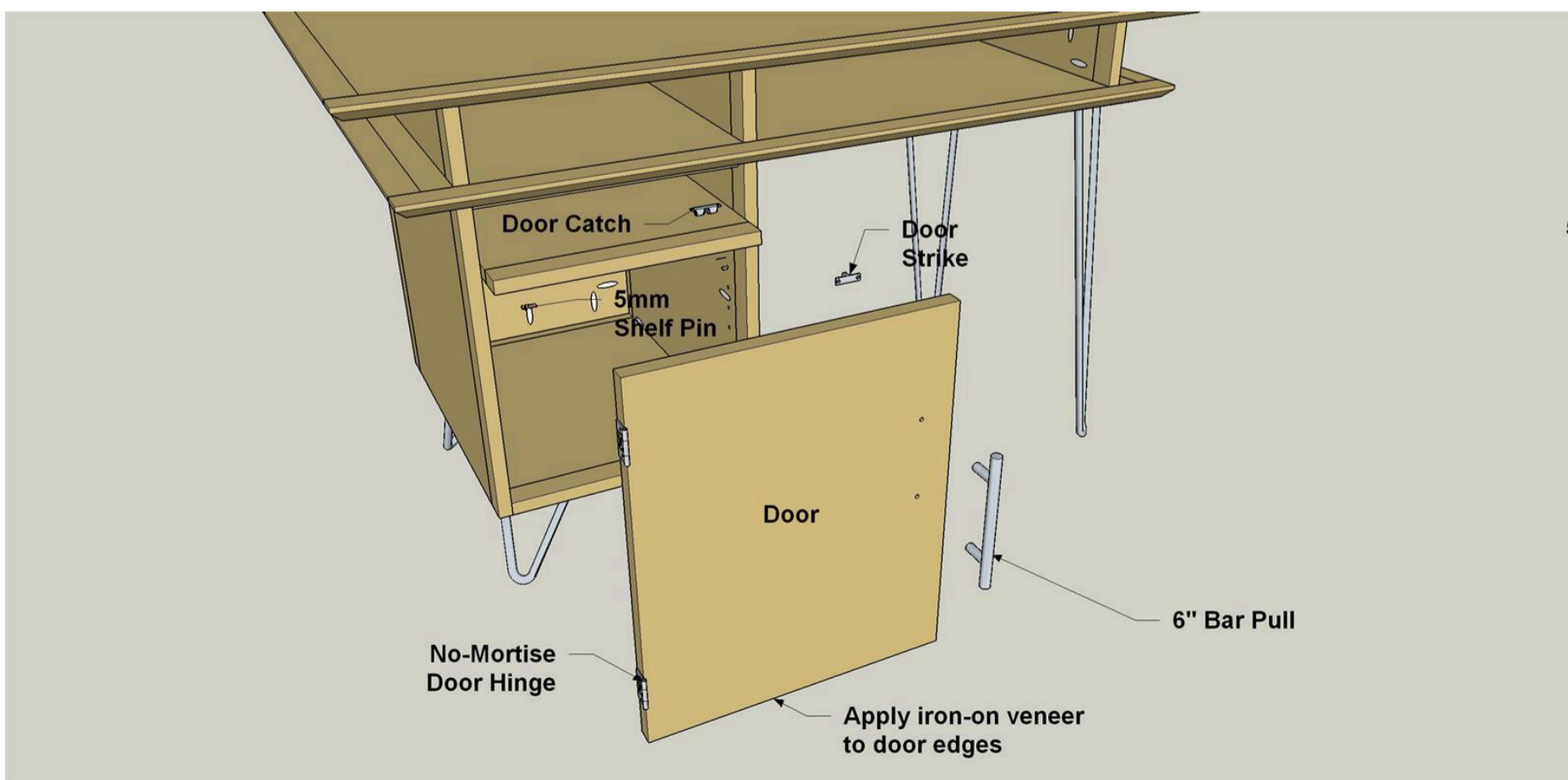
Cut the Shelf Edging to length from a 1x2 maple board, as shown in the cutting diagram. Cut the Shelf Panel and Door to size from 3/4" maple plywood. With your pocket hole jig set for 3/4" material, drill pocket holes in the bottom face of the Shelf, as shown. Drill holes in the Door for mounting the pull. The dimensions on the drawing are for the 6" bar pull we used. Adjust the hole spacing for the pulls you choose. Apply iron-on birch veneer to the Door edges and trim the edging flush to the faces. Sand all of these parts.



14

Hang the Door and Insert the Shelf

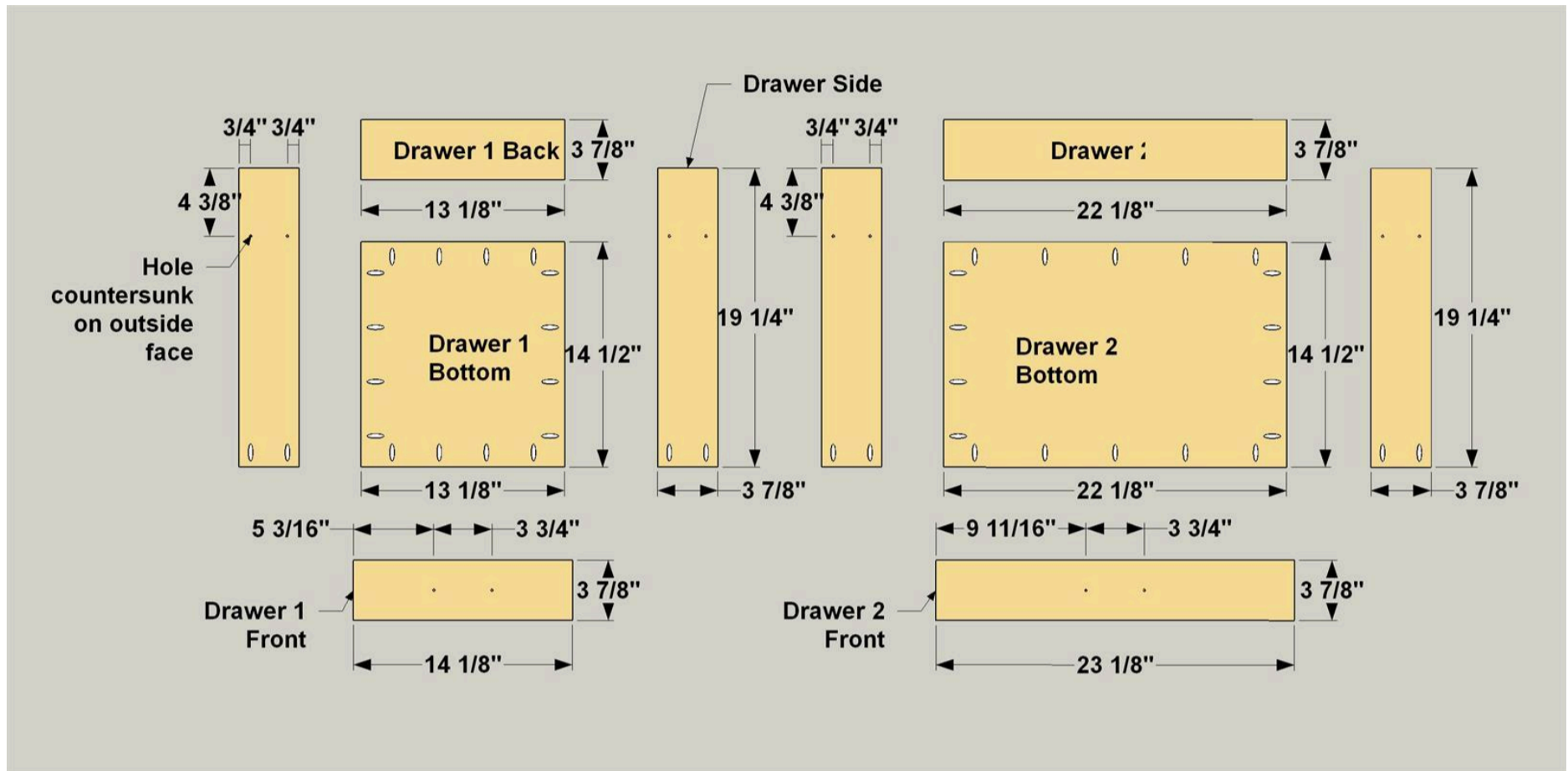
Drill pilot holes and screw the no-mortise hinges to the left-hand Cabinet Side. Position the Door in the Cabinet opening, inserting shims to center it vertically in the opening. Mark the hinge positions on the edge of the Door. Remove the Door and the hinges. Position the hinges on the Door, mark hole locations, and drill pilot holes. Screw the hinges to the Door. Holding the Door in the open position, re-fasten the hinges to the Cabinet. Fasten the pull to the Door, the catch to the underside of the Cabinet Top, and the strike to the inside of the Door. Install shelf pins and the Shelf.



15

Create the Drawer Parts

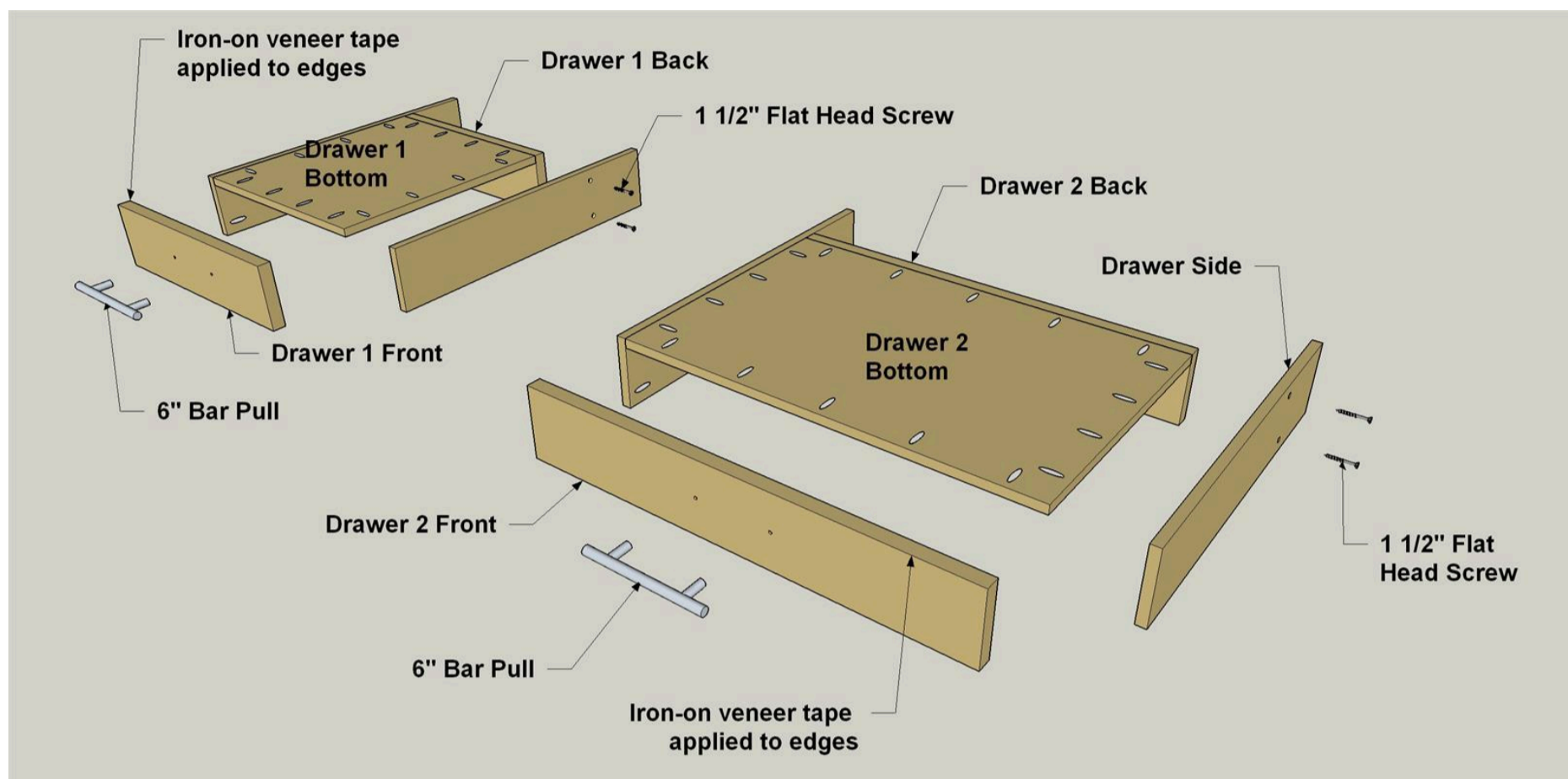
Cut the Drawer 1 and Drawer 2 Fronts and Backs to size from 3/4" maple plywood. Cut the Drawer Sides and Drawer 1 and Drawer 2 Bottoms from 1/2" birch plywood. With your pocket hole jig set for 1/2" material and a Micro-Pocket drill guide block installed, drill pocket holes in the inside faces of the Drawer Sides and the bottom faces of the Drawer Bottoms where shown. Drill holes in the Drawer Sides for the #8 screws that fasten the Sides to the Backs, countersinking them on the outside faces (face opposite the pocket holes). Drill holes for the pulls in the Drawer 1 and Drawer 2 Fronts. Apply iron-on veneer to the edges of the Drawer Fronts edges and trim it flush to the faces. Sand the parts.



16

Assemble the Drawers

Clamp the Drawer Bottoms to the Drawer Backs with the ends and bottom edges flush. Drive 1" panhead pocket screws. In turn, clamp the Drawer sides to the Drawer Bottoms with the front ends and bottom edges flush. Drive 1" panhead pocket-hole screws. Using the countersunk holes in the Drawer Sides as guides, drill pilot holes into the Drawer Backs and drive #8 x 1 1/2" flathead wood screws. Clamp the Bottom/Back/Sides Assemblies to the Drawer Fronts with the ends and bottom edges flush and drive 1" panhead pocket-hole screws. Attach the pulls and slide the Drawers into the desk.



17

Finishing and Final Assembly

Remove the Drawers, Door, Shelf, and all hardware. Inspect all parts and assemblies and finish-sand where needed. Lightly "ease" all of the sharp corners with fine sandpaper. Apply a clear finish of your choice following the instructions on the can. With the finish is dry, reassemble the desk.