

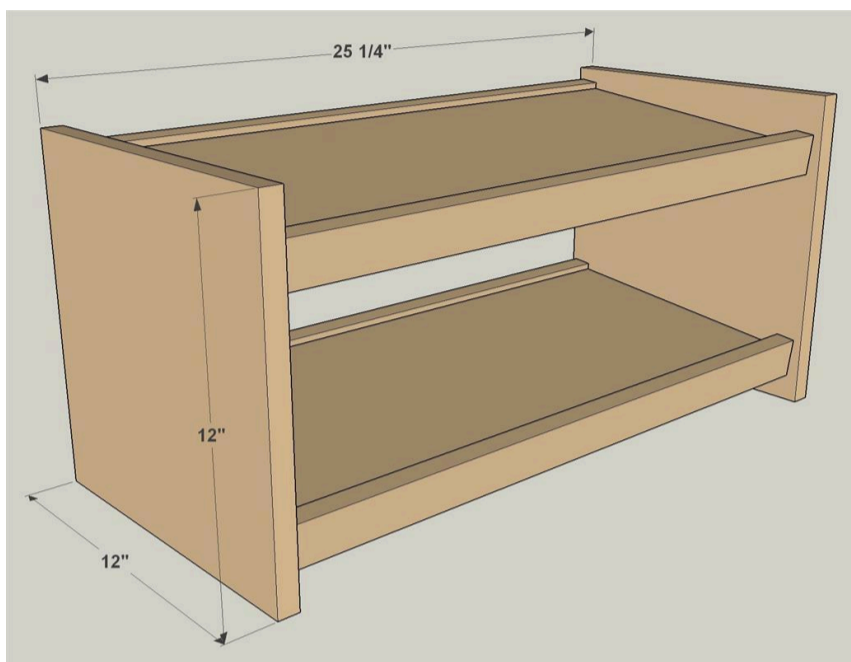
Double-Decker Shoe Organizer

By **Kreg Tool**

Difficulty

Easy

Shoes can quickly pile up, causing unnecessary clutter in the closet. Here's a simple two-tier shoe organizer that keeps several pairs of shoes tidy and visible. It's a quick and easy project that you'll use every day.



Tools

Kreg Tools



[Kreg® Pocket-Hole Jig 720](#)

Other Tools

Circular Saw (cordless)

Miter Saw

Drill (cordless)

Sander

Materials

Wood Products

1 Plywood , 3/4" Thick , Quarter Sheet

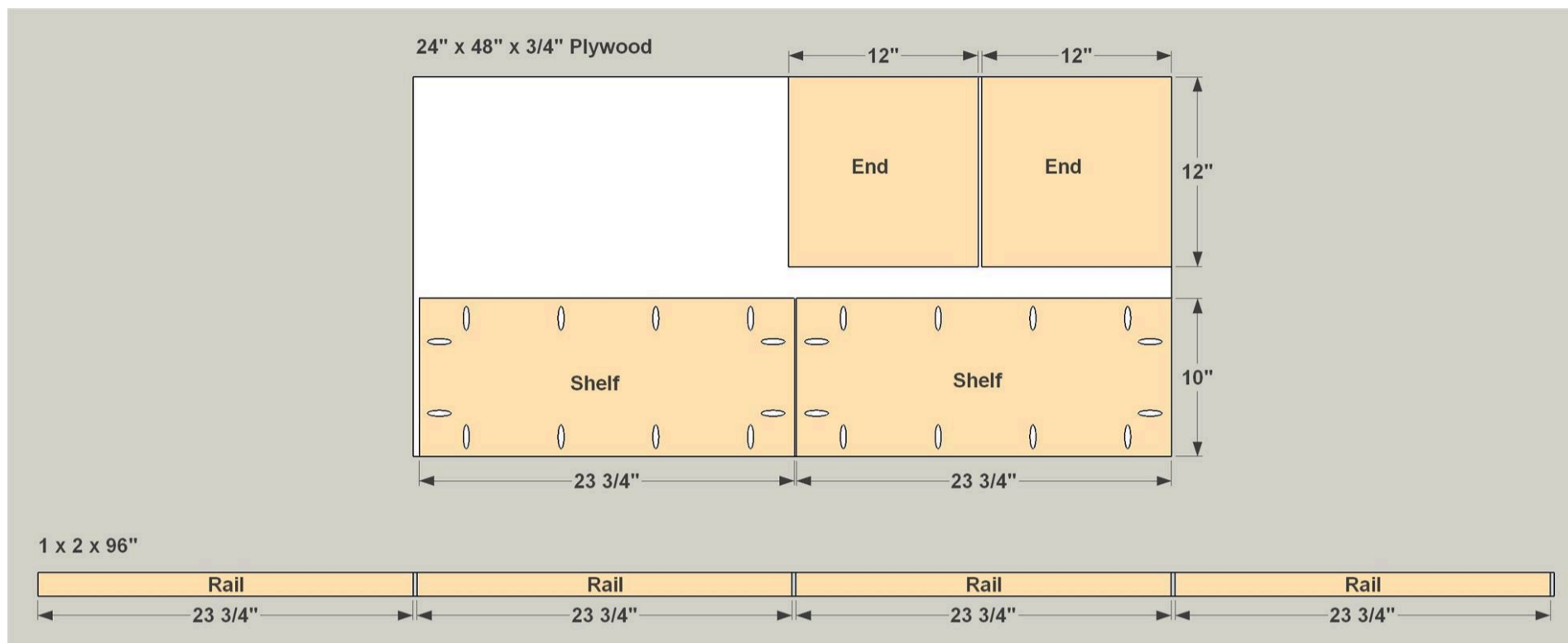
1 Board , 1x2 , 96"

Hardware & Supplies

24 1 1/4" Coarse-thread Pocket-hole Screws

Cut List & Parts

- 2 Ends, 3/4" X 12" X 12"
- 2 Shelves, 3/4" X 10" X 23 3/4"
- 4 Rails, 3/4" X 1 1/2" X 23 3/4"



Directions

1

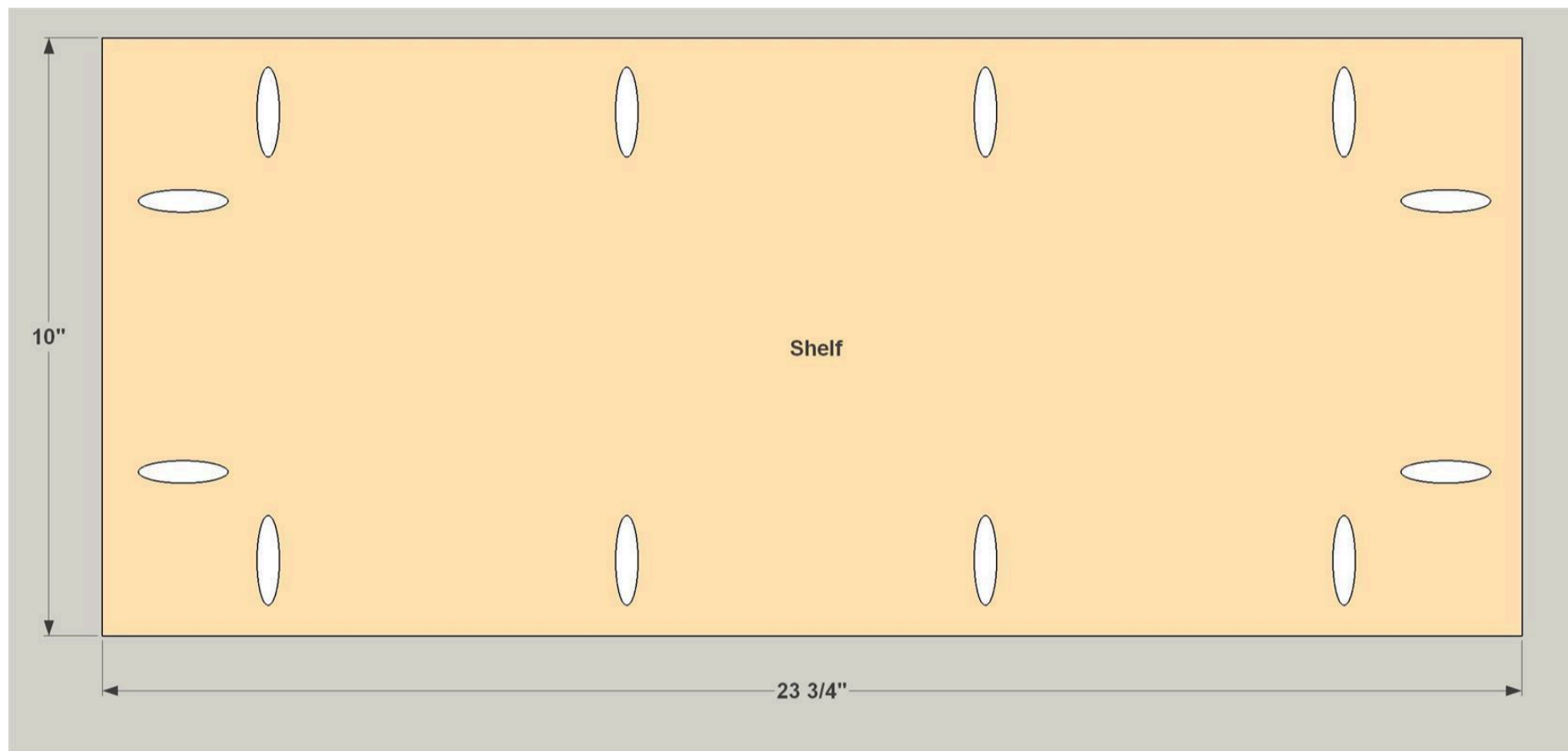
Cut the Parts to Size

Cut two Ends and two Shelves to size from a quarter sheet of 3/4" plywood, as shown in the cutting diagram. Also cut four Rails to length from a 1x2 board.

2

Drill Pocket Holes

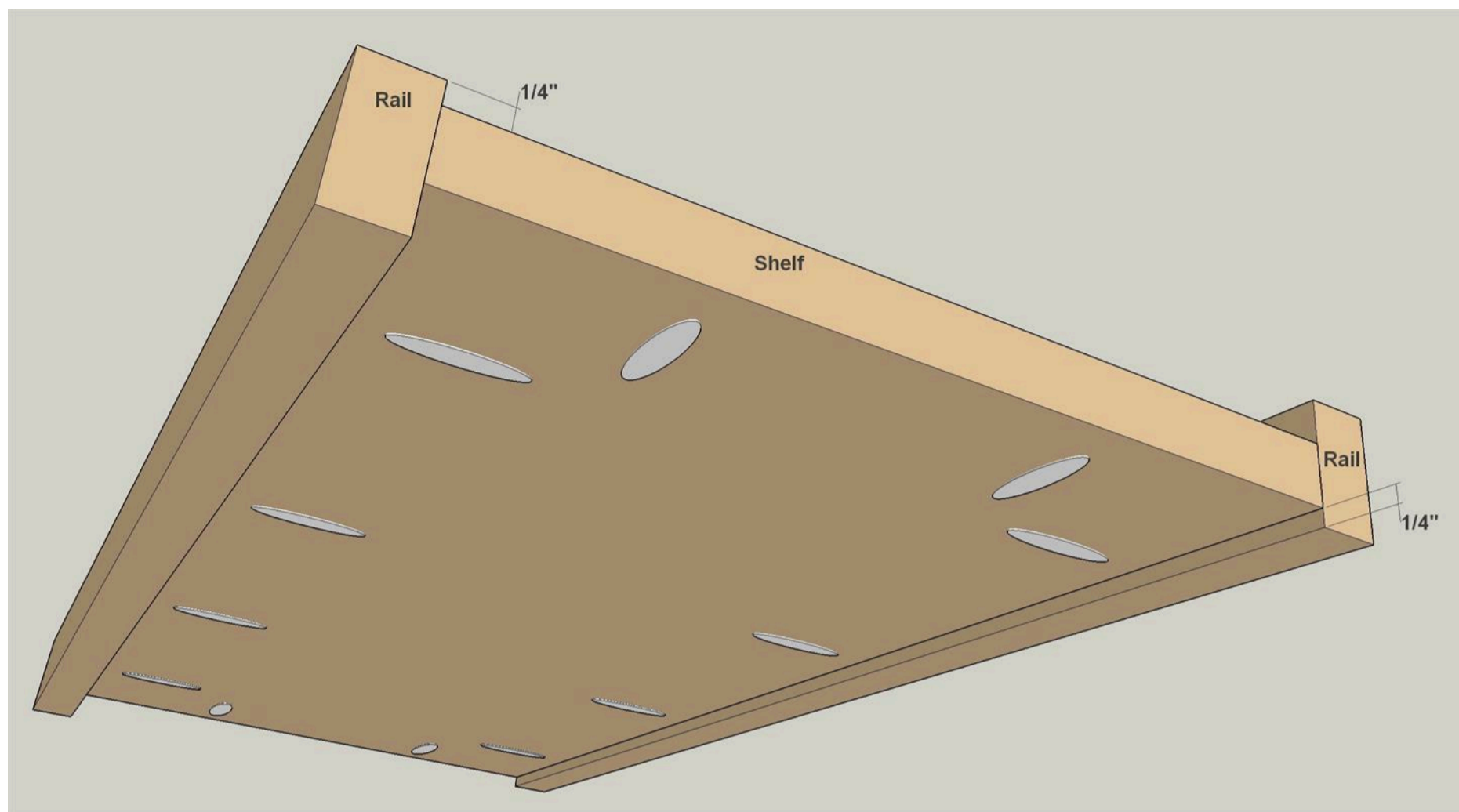
With your jig set up for 3/4" stock, drill pocket holes in the underside of the Shelves, as shown.



3

Assemble the Shelves

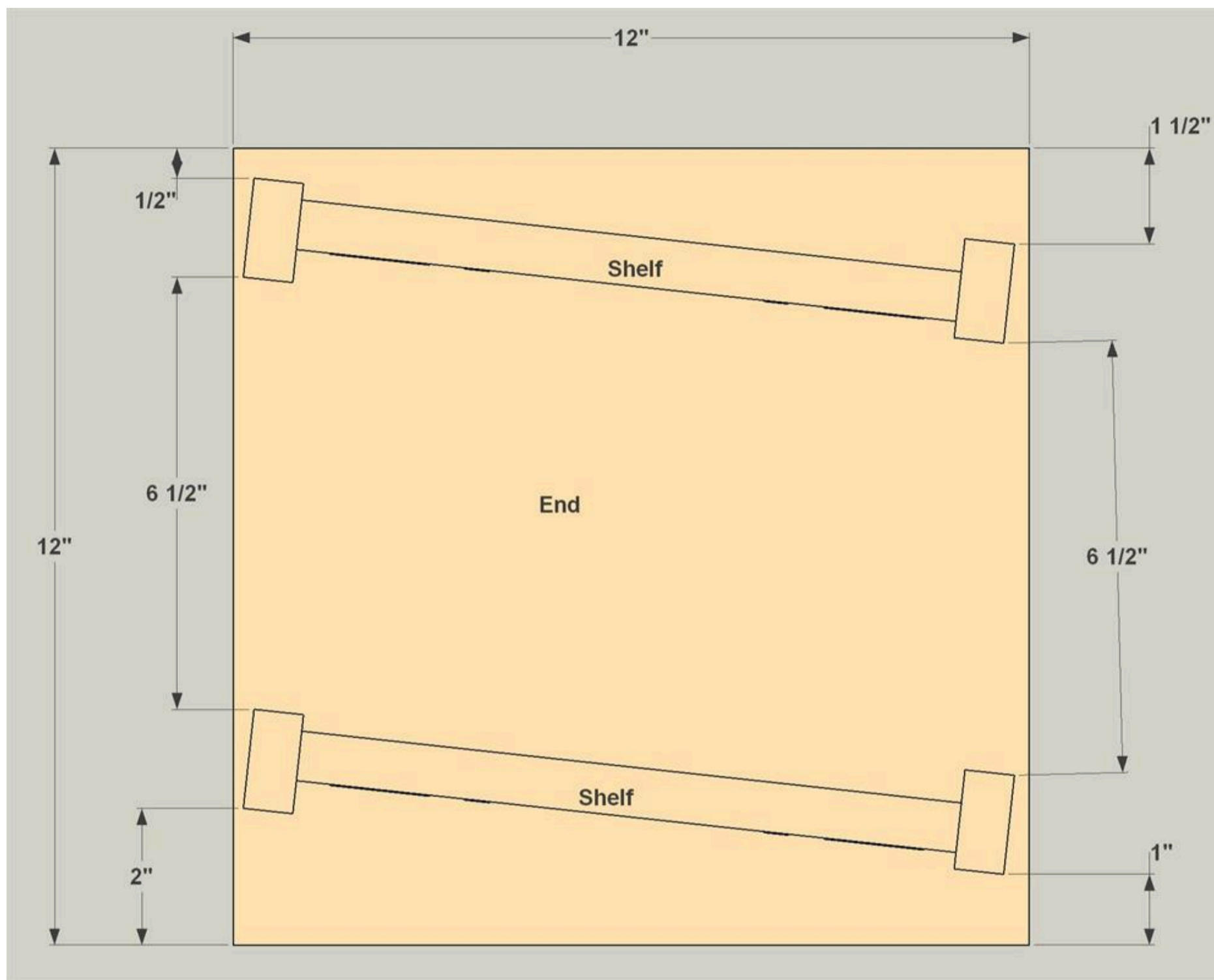
After sanding the Shelves and Rails, attach two Rails to each Shelf using 1 1/4" coarse-thread pocket-hole screws. Note that the rails are offset: One Rail sits 1/4" below the Shelf, the other sits 1/4" above.



4

Join the Shelves and Ends

After sanding the Ends, position the shelf/rail assemblies as shown. Make sure that the Rail protruding above each shelf is positioned at the front—on the downward sloping side. Then attach the assemblies to the Ends using 1 1/4" coarse-thread pocket-hole screws.



5

Paint and Put It to Use

After assembly, do any touch up sanding needed, and then paint the Shoe Organizer. Latex makes a great choice, because it's easy to scrub should your shoes leave any dirt behind.