

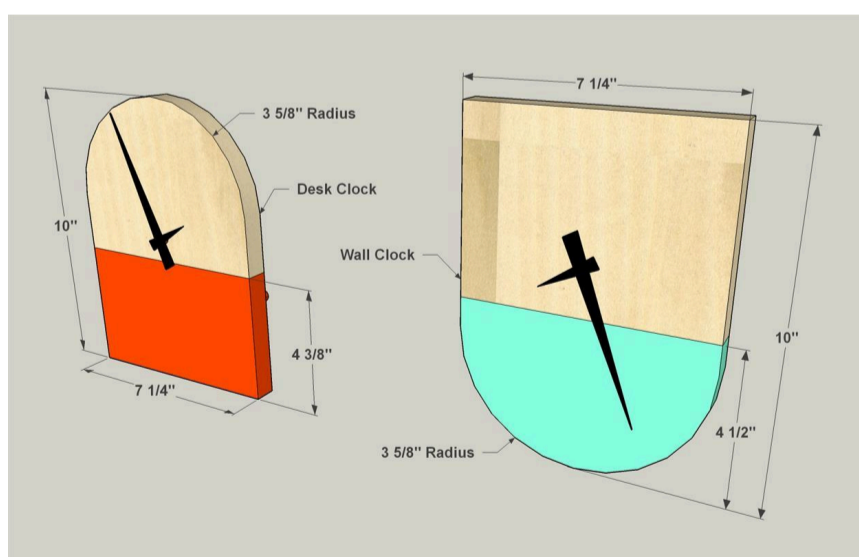
Colorful Clocks

By **Kreg Tool**

Difficulty

Easy

Creating your own clocks can be easy. This wall clock and desk clock both feature clock faces made from short lengths of 1x8 board. The desk version gets a dowel added as a stand. Both use a battery-operated quartz movement and hands that you can pick up inexpensively from a hobby store or online.



Tools

Other Tools

Jigsaw

Tape Measure

Compass

Drill (cordless)

Sander

Materials

Wood Products

1 Board , 1x8 , 24"

1 Dowel , 1/2" Diameter , 12"

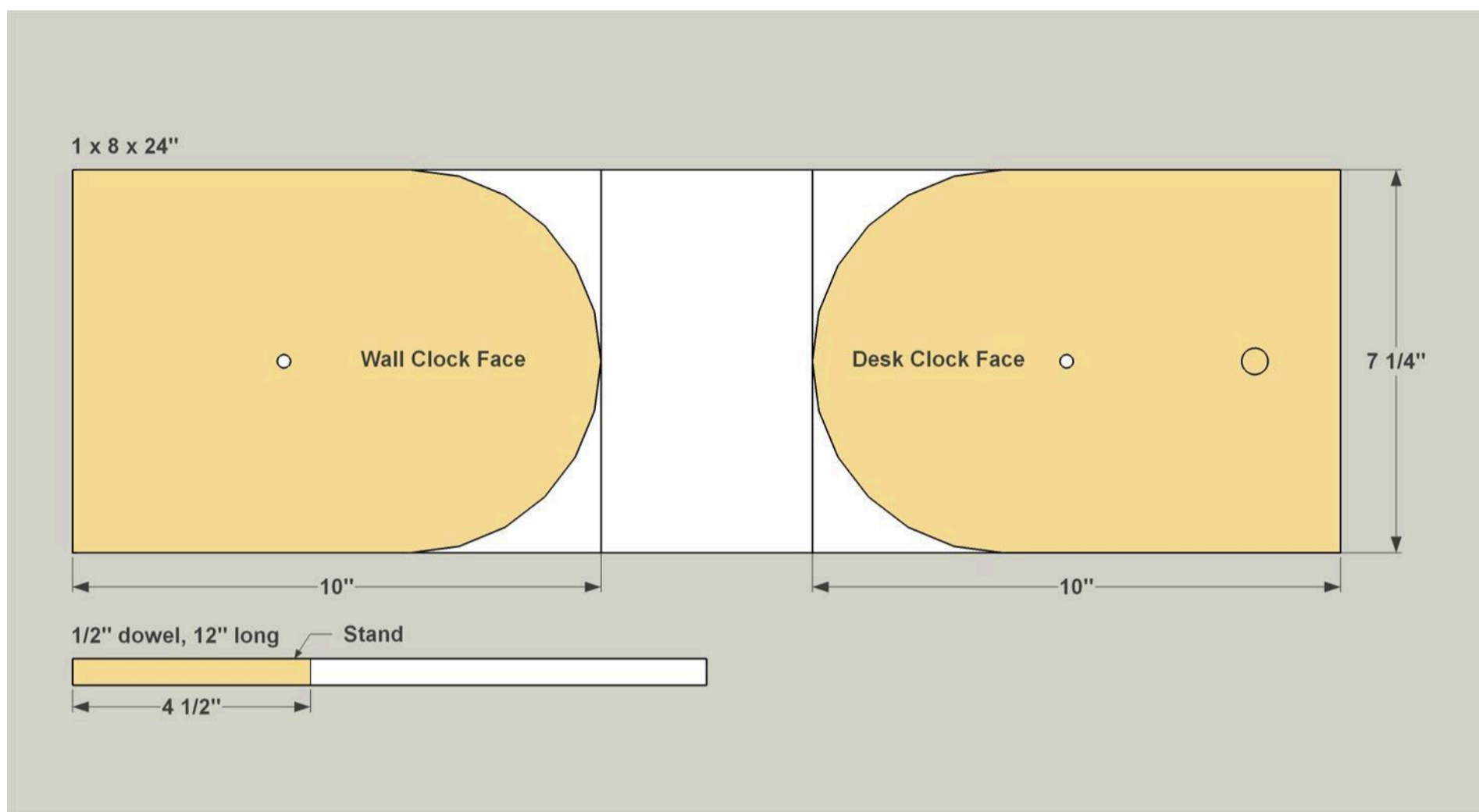
Hardware & Supplies

1 Mini Quartz Clock Movement (For 3/4" Dial)

1 Modern Clock Hands

Cut List & Parts

- 1 Wall Clock Face , 3/4" X 7 1/4" X 10"
- 1 Desk Clock Face , 3/4" X 7 1/4" X 10"
- 1 Stand , 1/2" Dowel X 4 1/2"



Directions

1

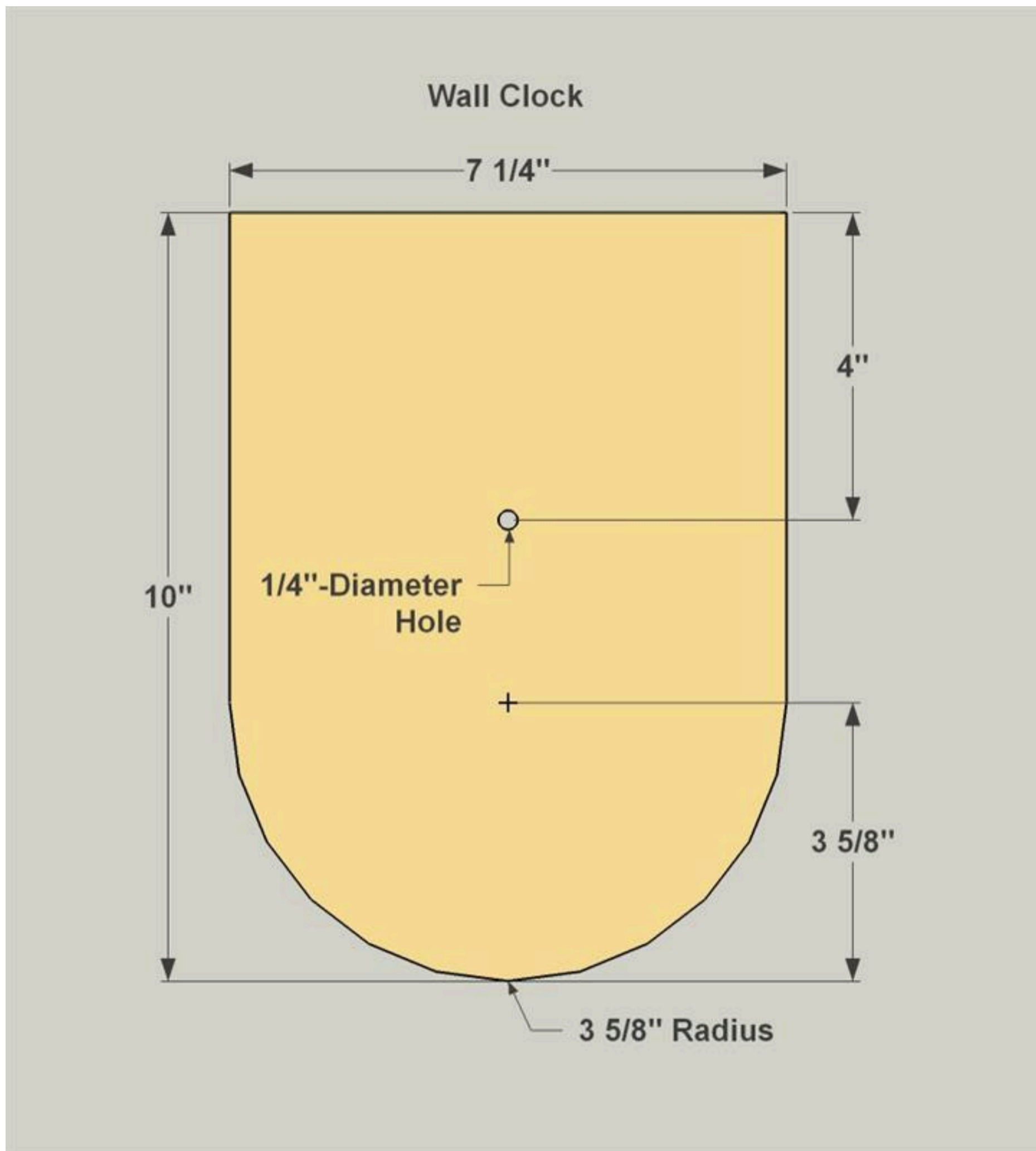
Cut the Clock Face

Cut one Clock Face to rough length from a 1x8 board, as shown in the cutting diagram. This part starts out the same for either the Wall Clock or the Desk Clock. Then lay out the curve, as shown, and cut it using a jigsaw. Cut just outside the line, and then sand the curve smooth.

2

Drill for the Wall Clock

If you're making a wall clock, you just need to drill one hole through the Wall Clock Face, where shown, that the spindle of the clock movement will pass through.



3

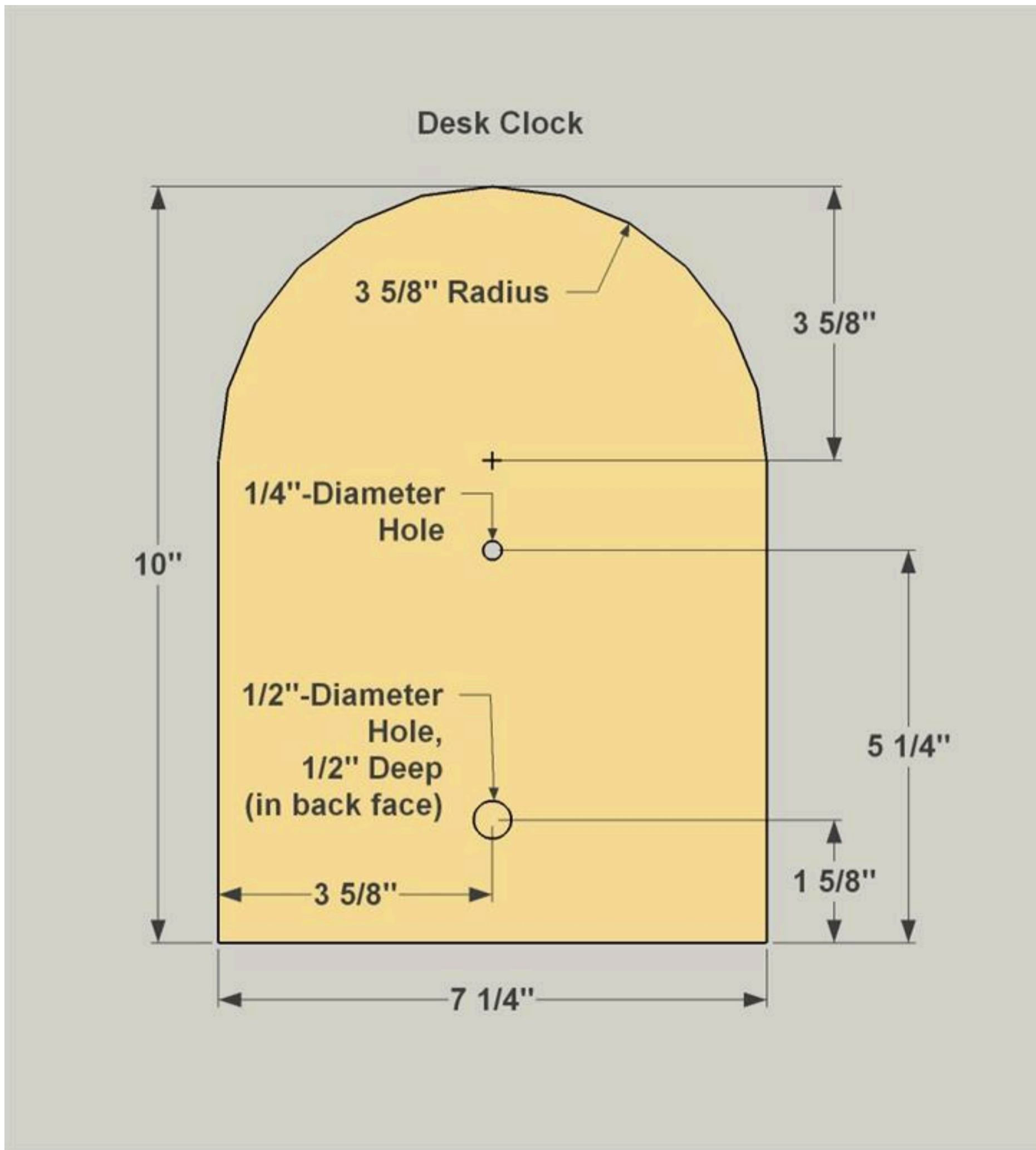
Paint the Wall Clock

Now you can paint and finish the wall clock. Just apply masking tape at the height shown, and then paint the lower portion. When the paint dries, add a clear finish to the upper portion, and then install the clock movement and hands. Note: The hands came with a black finish. We painted them with black satin spray paint.

4

Drill for the Desk Clock

If you're making a desk clock, cut a Stand to length from a 1/2" dowel, as shown in the cutting diagram. Next, drill one hole through the Desk Clock Face, as shown, that the spindle of the clock movement will pass through. Then drill a stopped hole on the back side to receive the Stand.



5**Paint the Desk Clock**

Now you can paint and finish the desk clock, as shown. Just apply masking tape at the height shown, and then paint the lower half. Also paint the Stand. When the paint dries, add a clear finish to the upper portion, glue the Stand in place, and then install the clock movement and hands. Note: The hands came with a black finish. We painted them with black satin spray paint.
