

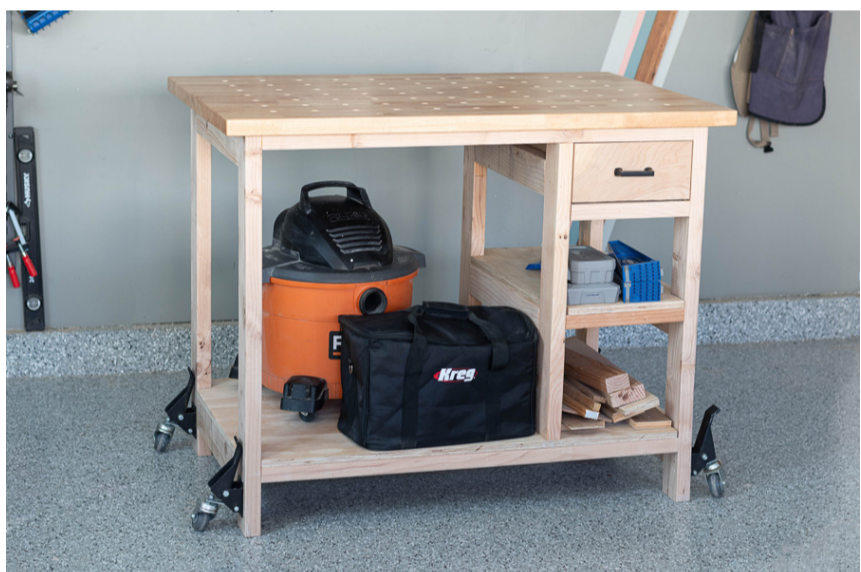
# Mobile Workbench with Drawer

By **Anika's DIY Life**

Difficulty

Easy

Add this beginner-friendly DIY workbench to your workshop with this weekend project. It is a great sturdy starter workbench with a drawer and open shelves for storage and organization and can be easily customized.



# Tools

## Kreg Tools



[Kreg® Pocket-Hole Jig 720](#)



[Rip-Cut™](#)



[Quick-Flip](#)



[90° Pocket-Hole Driver](#)



[Hardwood Bench Top with Dog Holes](#)



[Stainless Steel Pocket-Hole Screws](#)

## Other Tools

Miter Saw

Circular saw

Power Drill

Jigsaw

# Materials

## Wood Products

**7** 2x4 Boards , 3 1/2" X 1 1/2" , 96"

**1** Plywood , 3/4" , 4' X 8'

**1** Plywood , 1/4" , 2' X 4'

## Hardware & Supplies

**1** Drawer Slides

**1** Drawer Pull

**4** Drop Down Casters

# Cut List & Parts

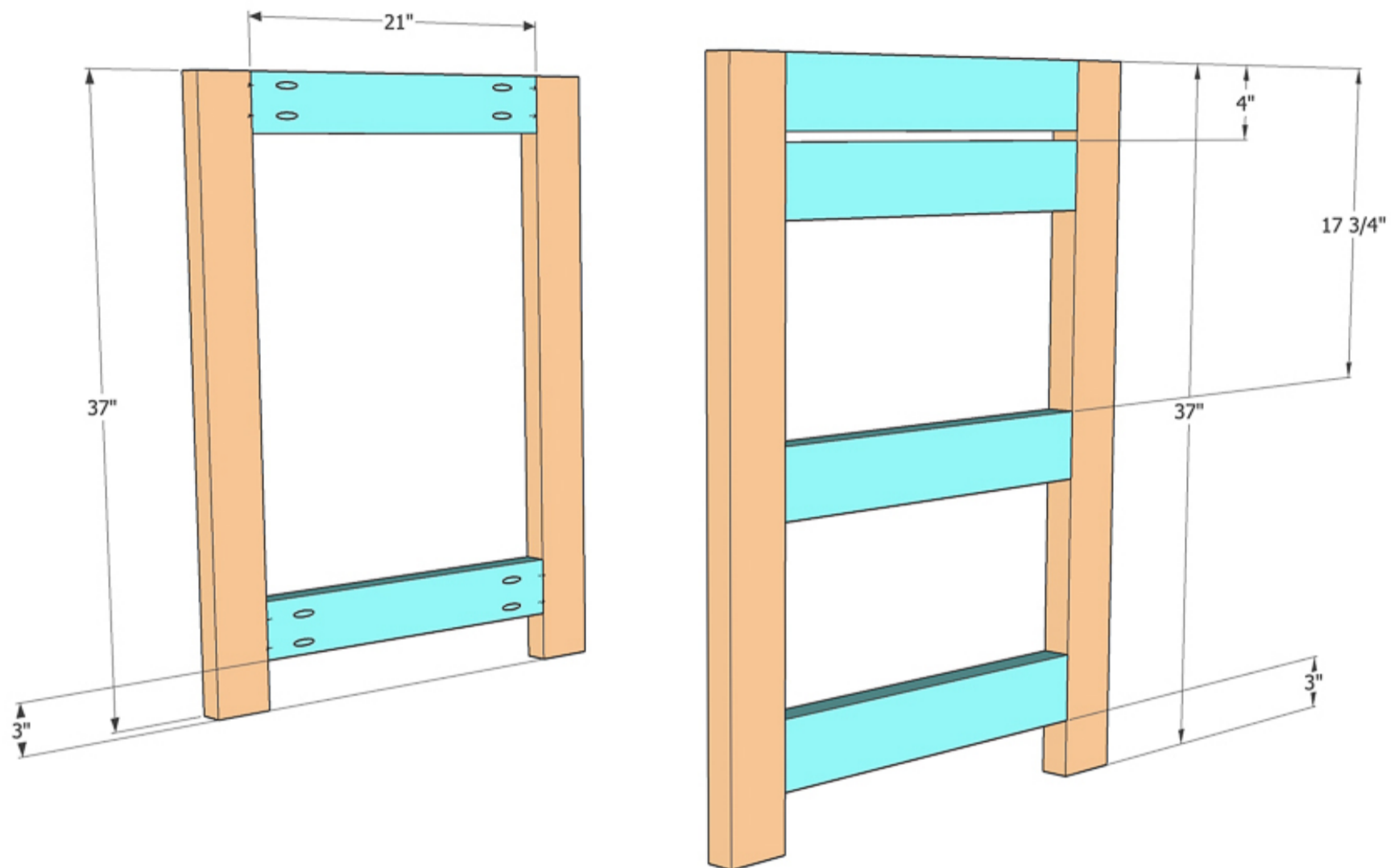
- 4 Legs, 3 1/2" X 1 1/2" X 37"
- 7 Short Aprons, 3 1/2" X 1 1/2" X 21"
- 4 Long Aprons, 3 1/2" X 1 1/2" X 41"
- 2 Front Aprons, 3 1/2" X 1 1/2" X 12"
- 1 Top Support, 3 1/2" X 1 1/2" X 21"
- 2 Middle Supports 3 1/2" X 1 1/2" X 28 1/4"
- 1 Bottom Shelf 3/4" 28" X 44" Plywood
- 1 Middle Shelf 3/4" 28" X 15" Plywood
- 2 Drawer Short Side 3/4" X 22" X 5 1/2" Plywood
- 2 Drawer Short Side 3/4" X 9 1/2" X 5 1/2" Plywood
- 1 Drawer Bottom 1/4" X 22" X 11" Plywood

# Directions

1

## Build the legs

Build the two sides of the leg frame by attaching the short aprons to the legs. Note that one side has 2 short aprons and the other has 4 short aprons. The extra short aprons will help support the shelves and the drawer slides. Use 2 1/2" pocket hole screws and wood glue.

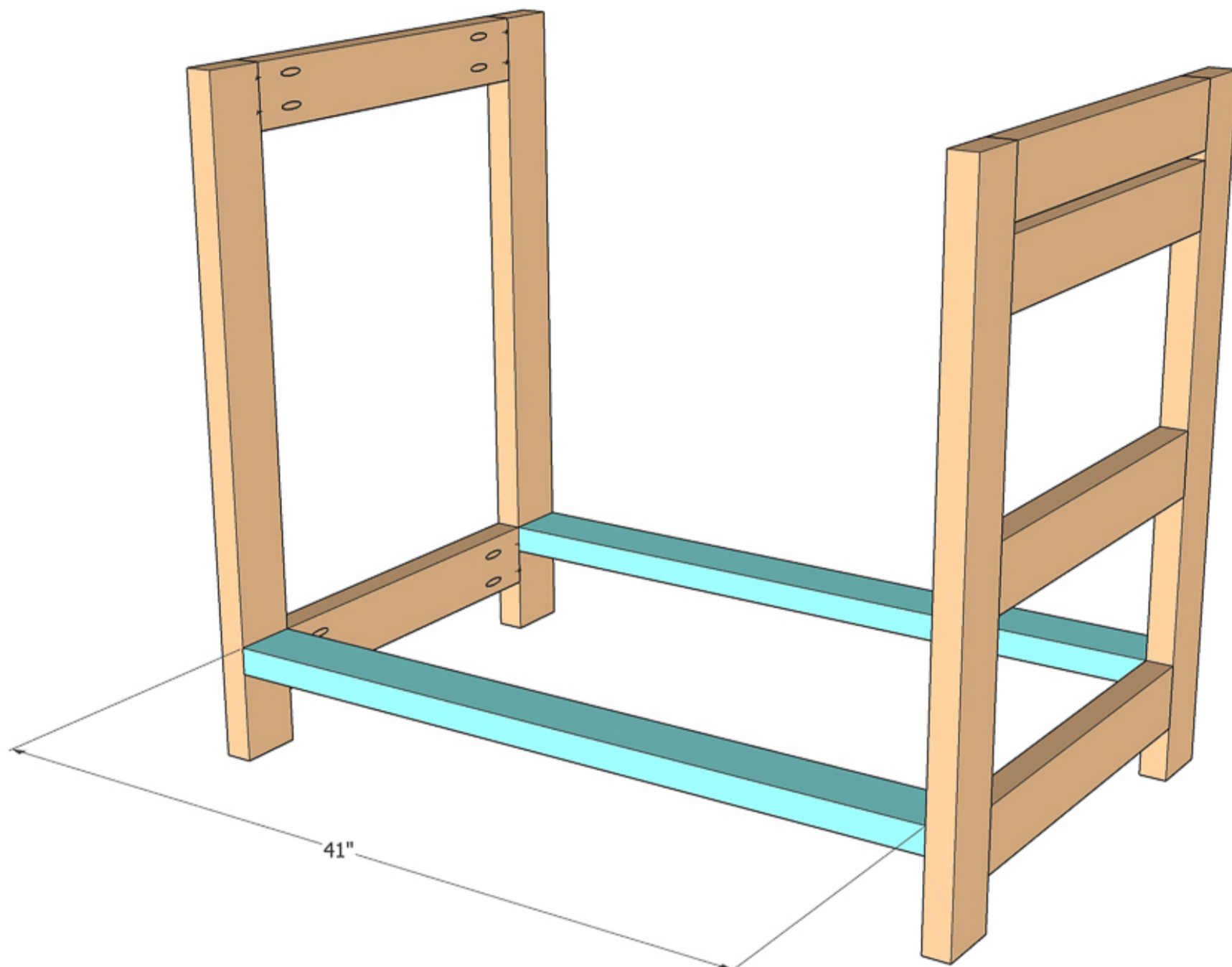




2

### Attach the long aprons

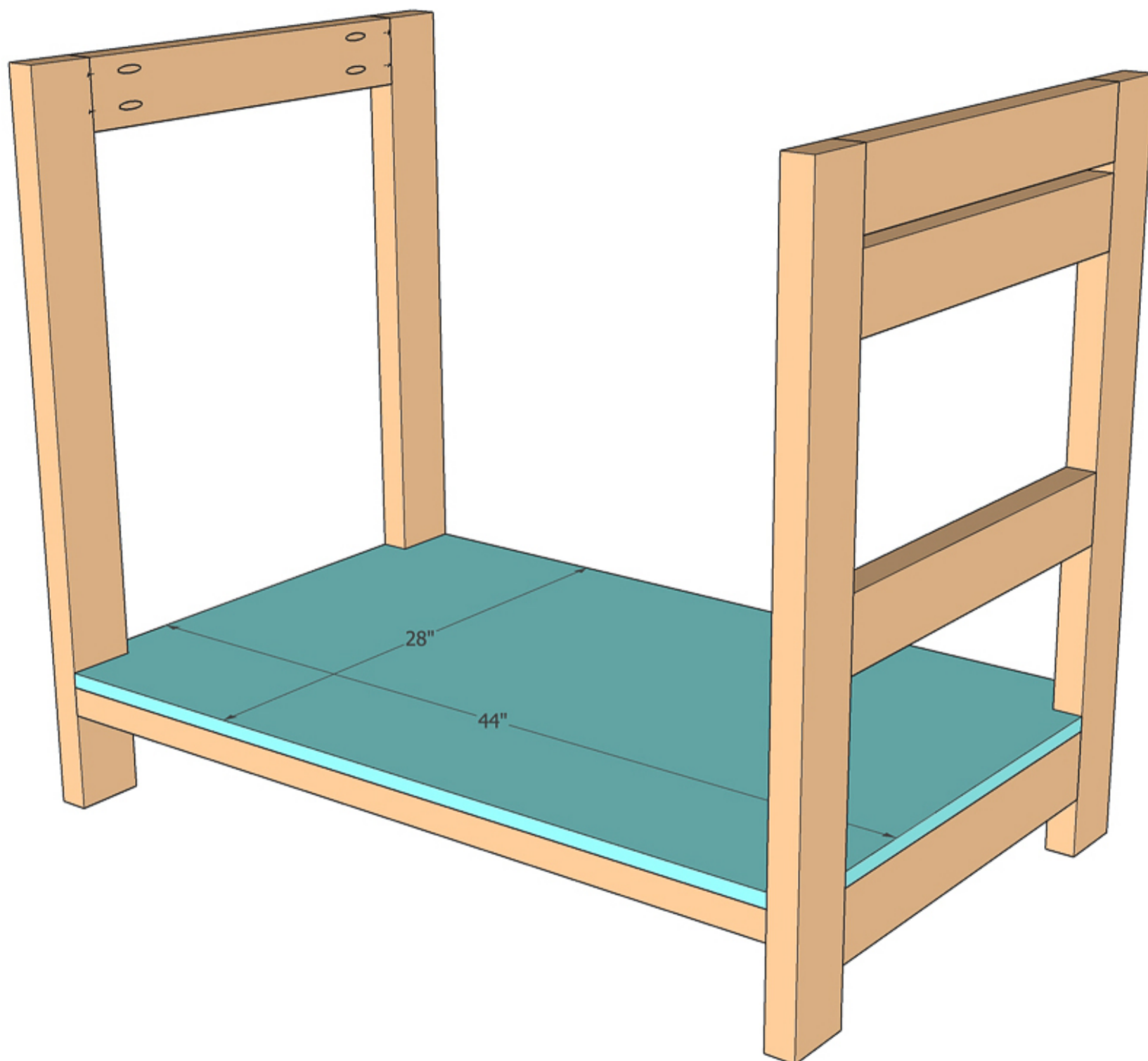
Attach the long aprons to the bottom of the leg frames using 2 1/2" pocket hole screws and wood glue. Once attached to one side, attach to the other side. This will make the support for the bottom shelf



3

### Add bottom shelf

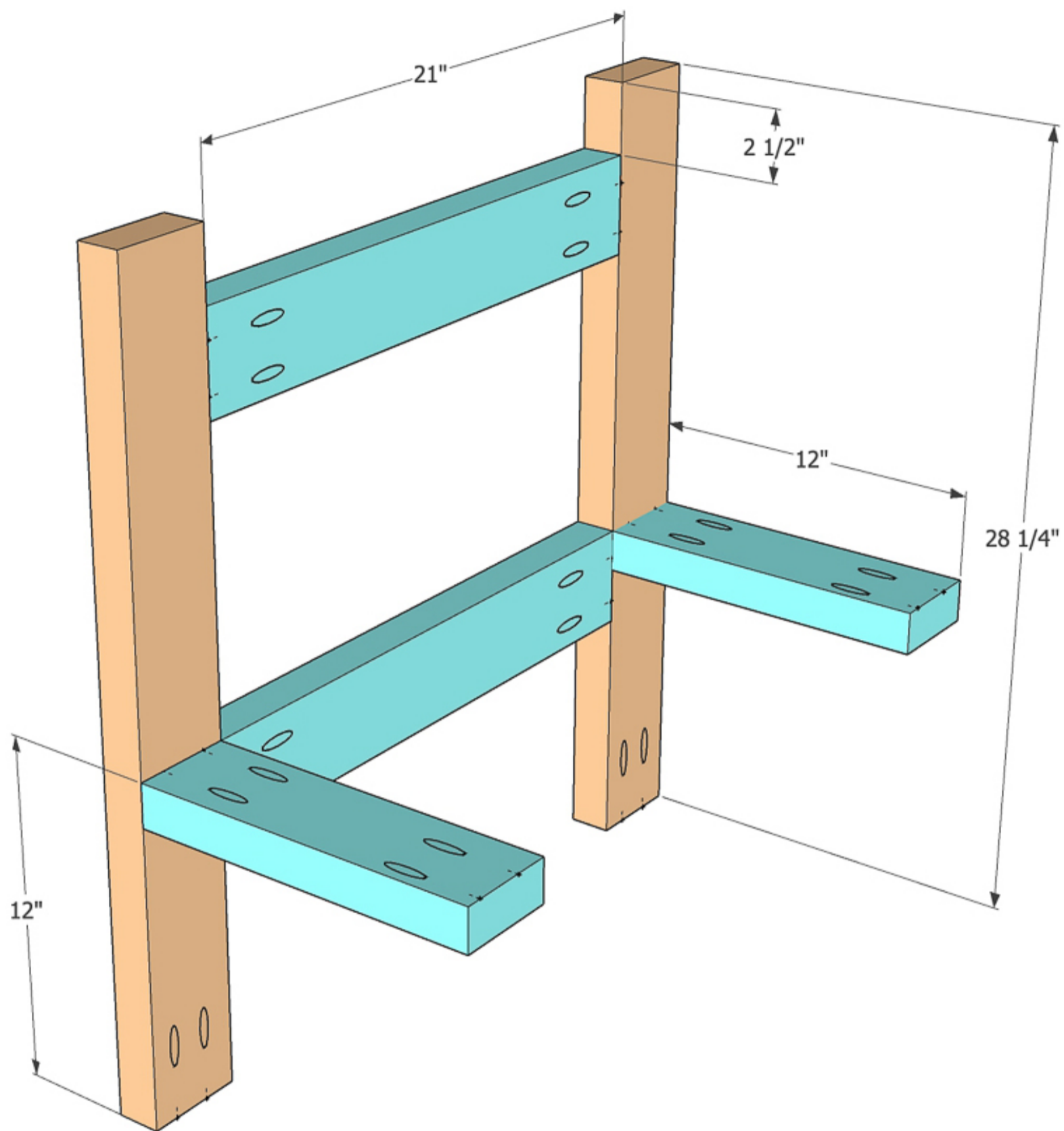
Cut 3.5" x 1.5" notches in plywood using a jigsaw on all corners to accommodate the legs and attach to the frame using 2" countersunk screws or trim head screws



4

**Build the center divider**

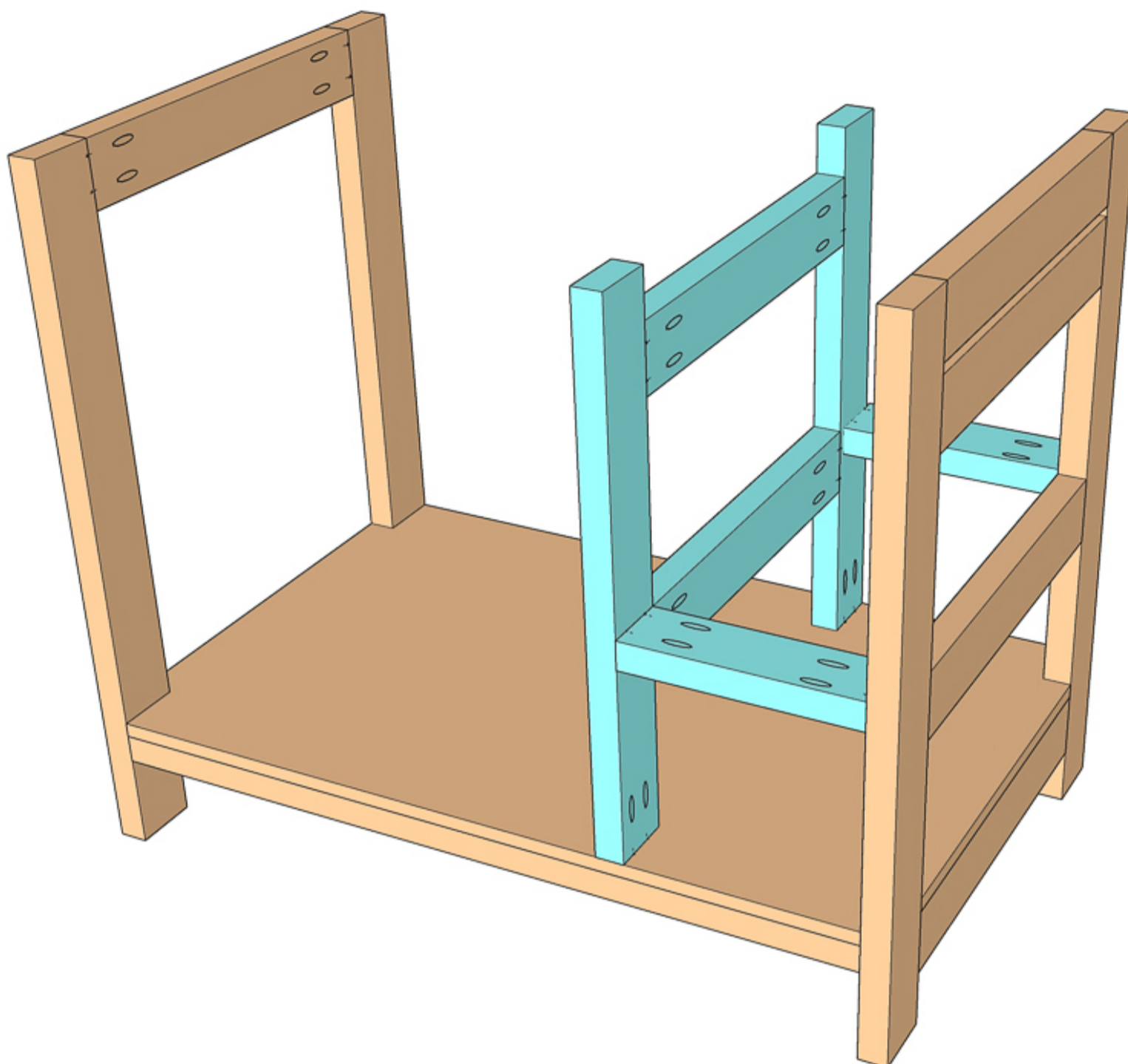
Build the center divider as shown in the diagram. The boards are all joined using 2 1/2" pocket hole screws and wood glue.



5

### Add center divider to workbench

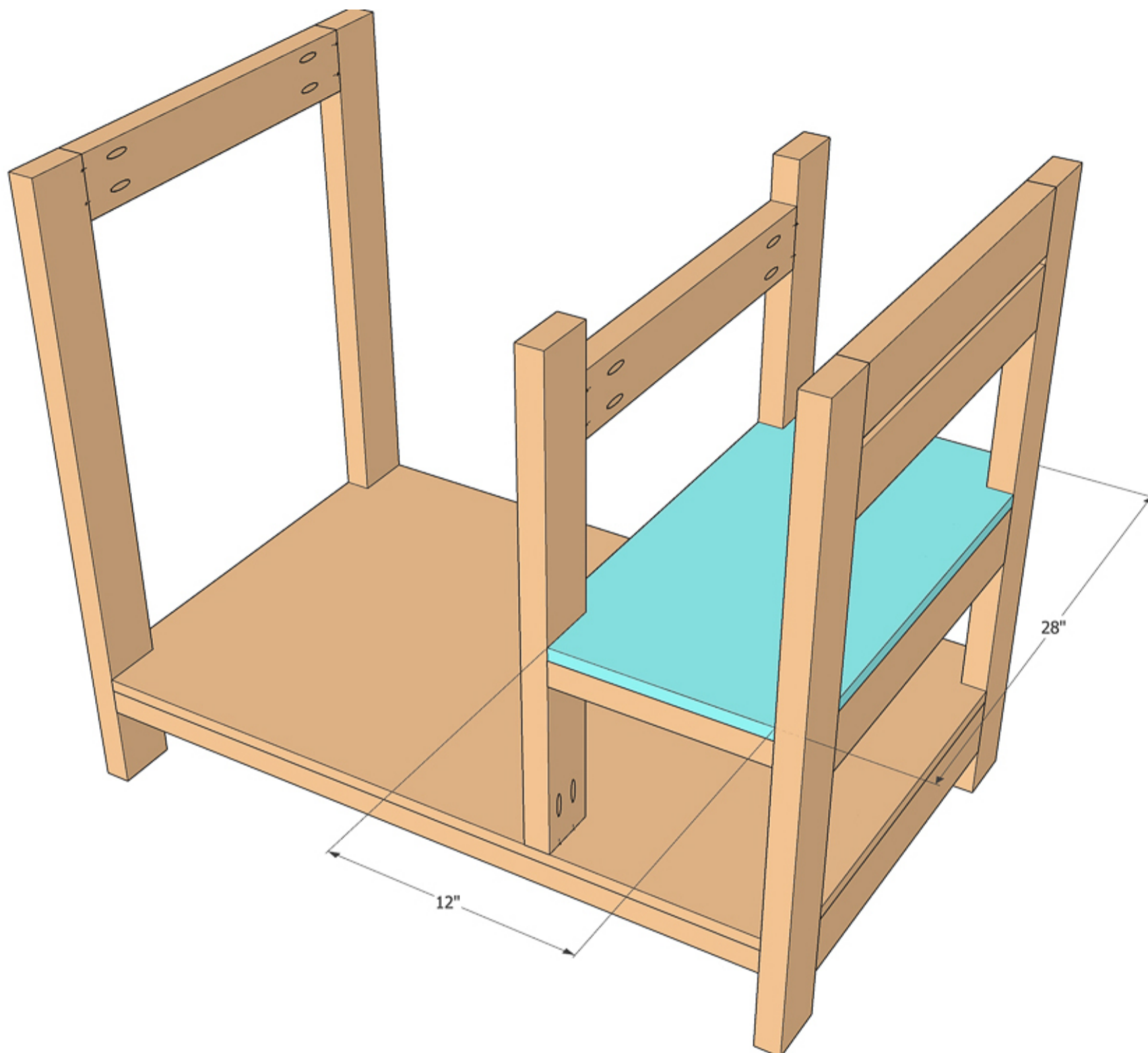
Attach the center divider to the workbench using 2 1/2" pocket hole screws and wood glue. It is important to keep everything square as you attach.



6

### Add small shelf

Cut out the 3.5" x 1.5" notches in plywood using a jigsaw on all corners to accommodate the legs and attach to the frame using 2" countersunk screws or trim head screws

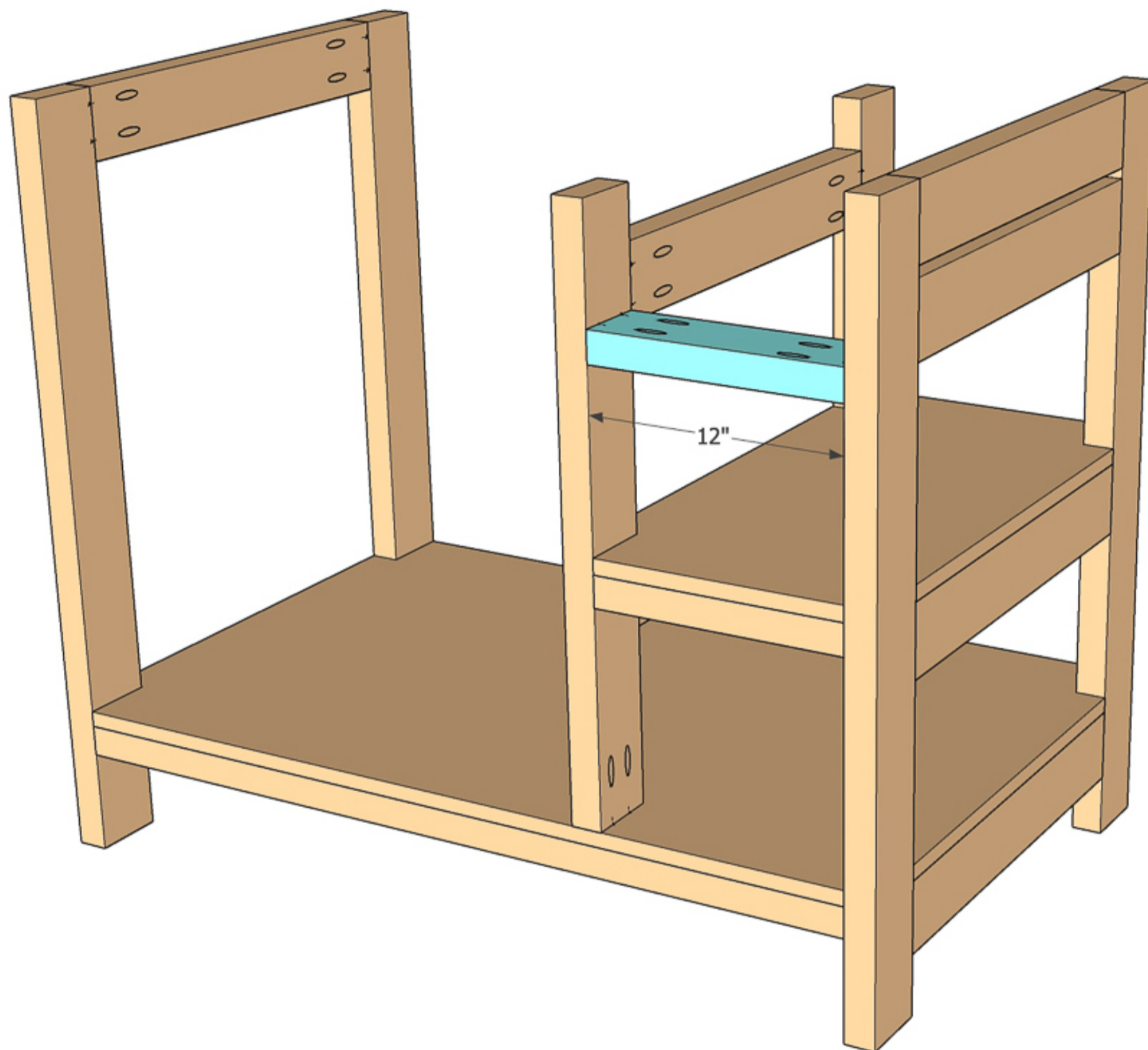




7

### Add front support

Using 2 1/2" pocket hole screws and wood glue, attach the support in the front as shown in the diagram.

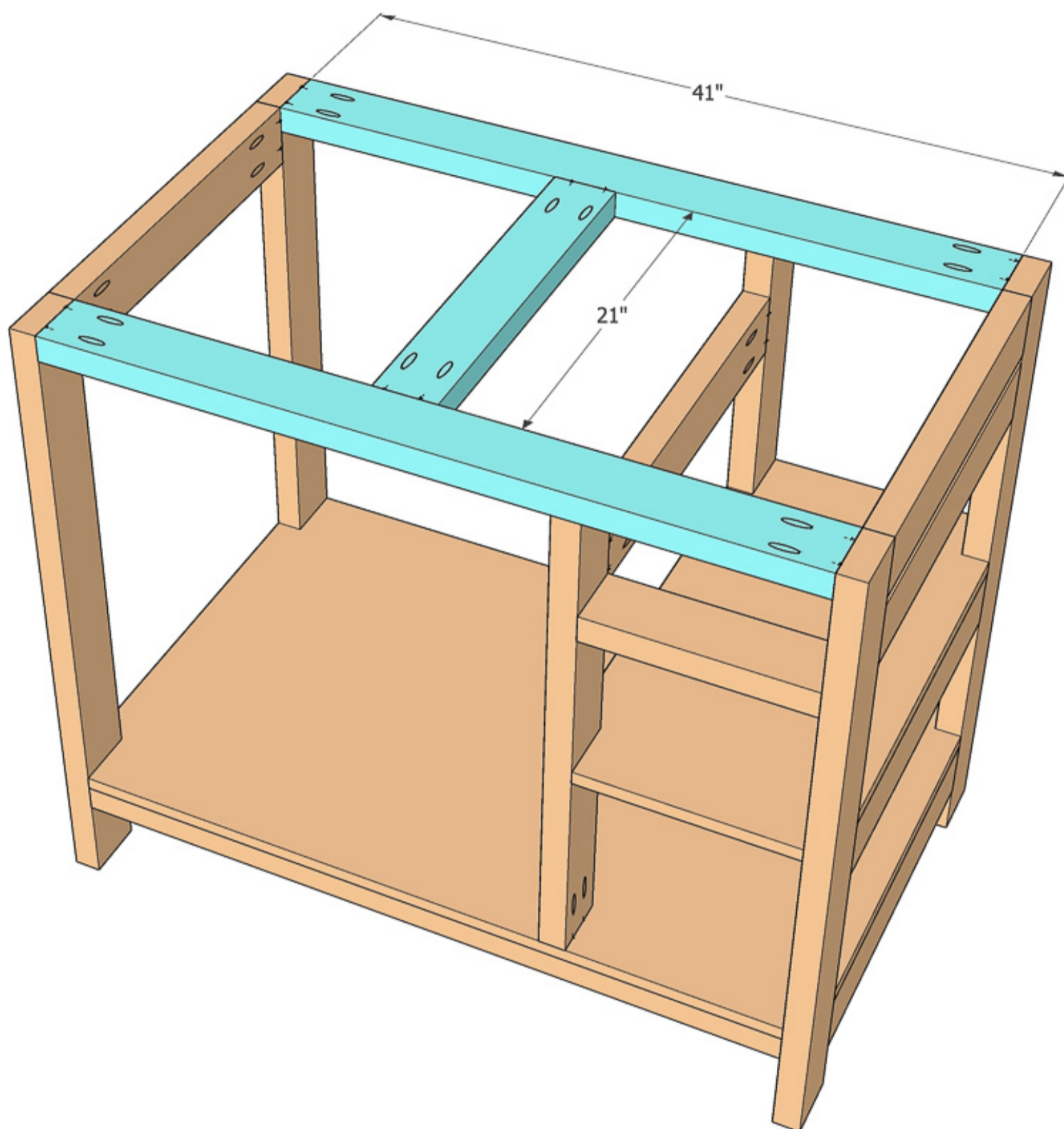




8

**Attach top apron and supports**

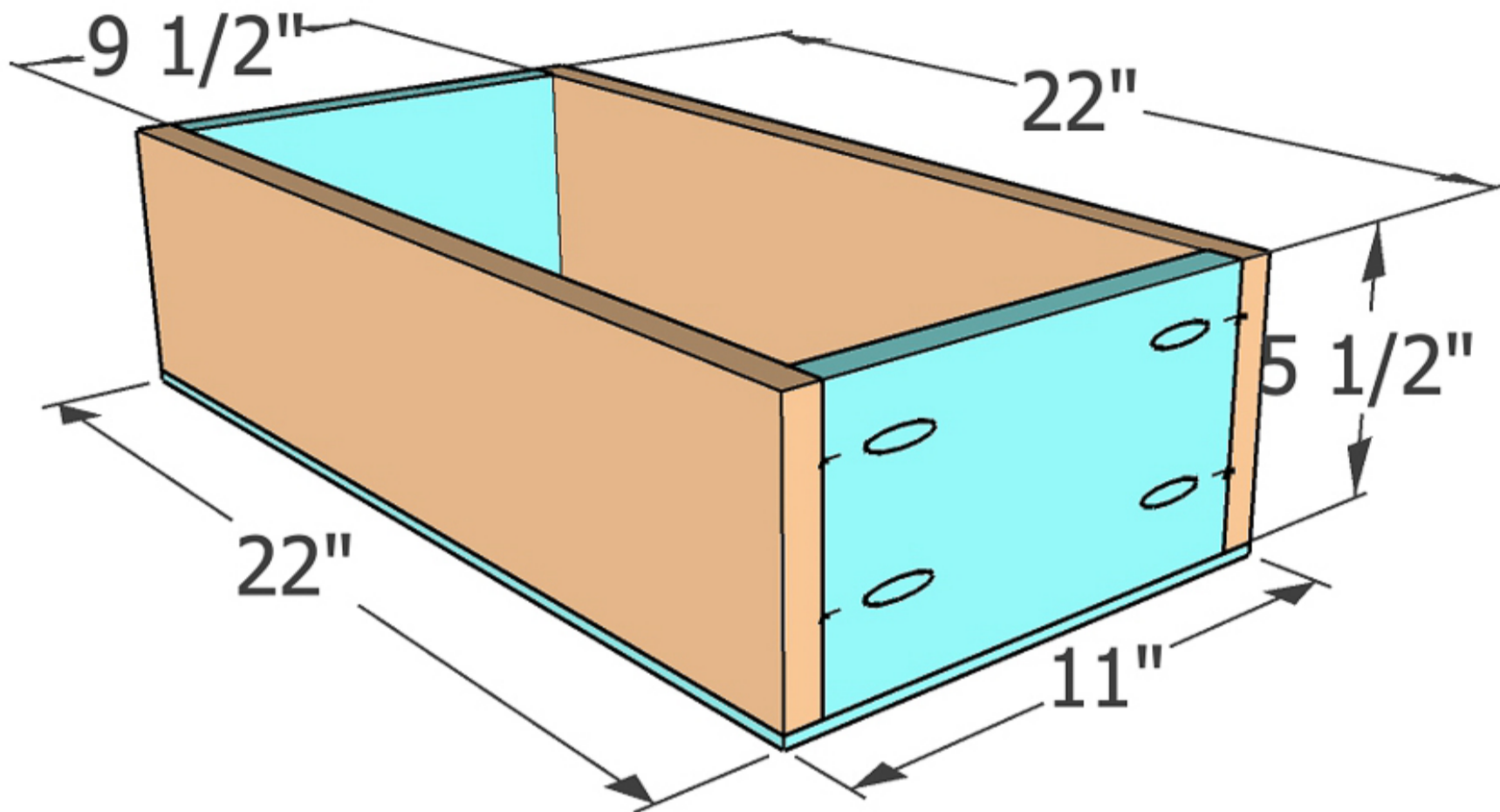
Attach the top apron and the support brace using 2 1/2" pocket hole screws and wood glue.



9

**Build the Drawer**

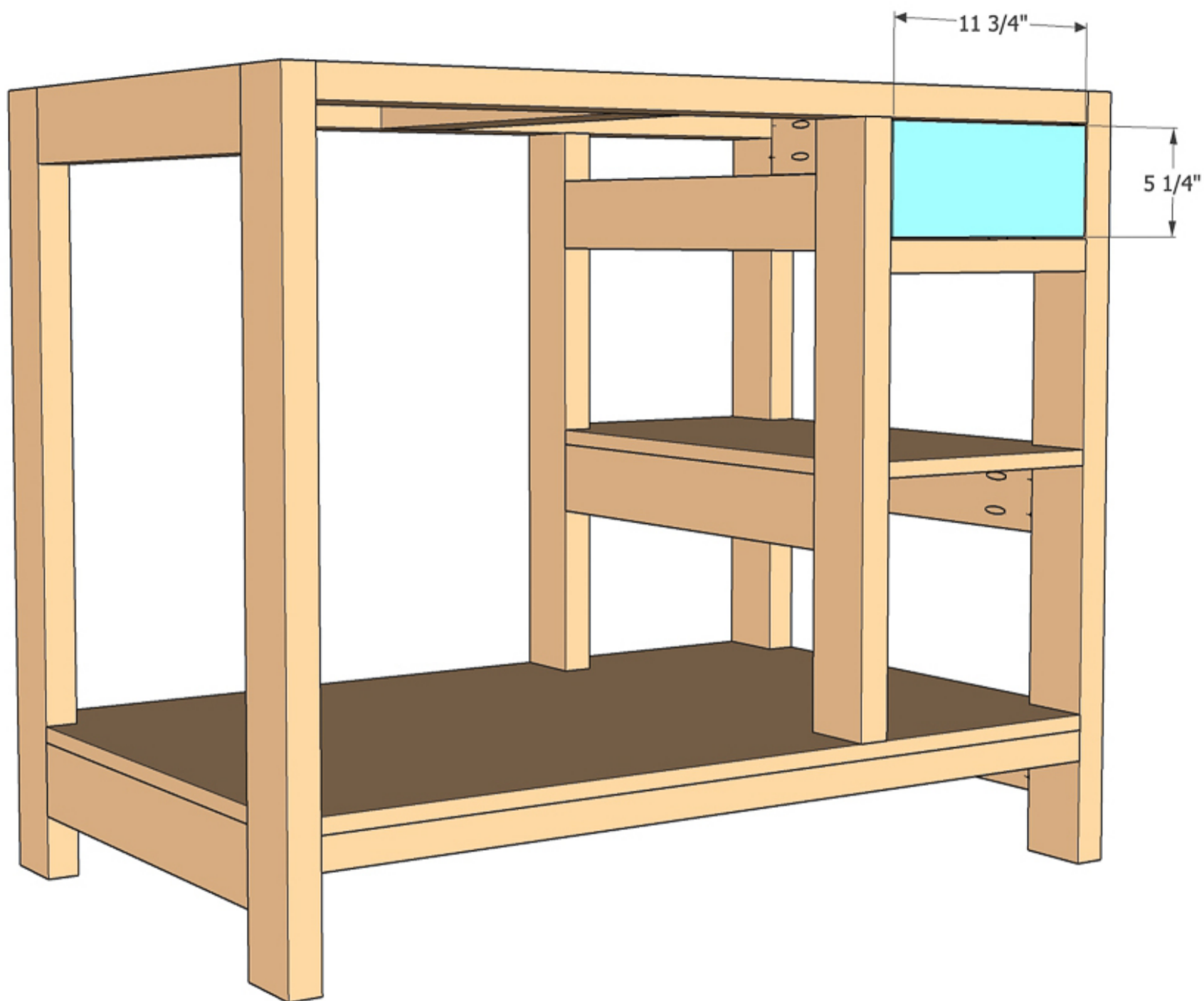
Build the drawer using 1 1/4" pocket hole screws. The drawer can be made longer or shorter as needed.



10

**Attach the drawer front**

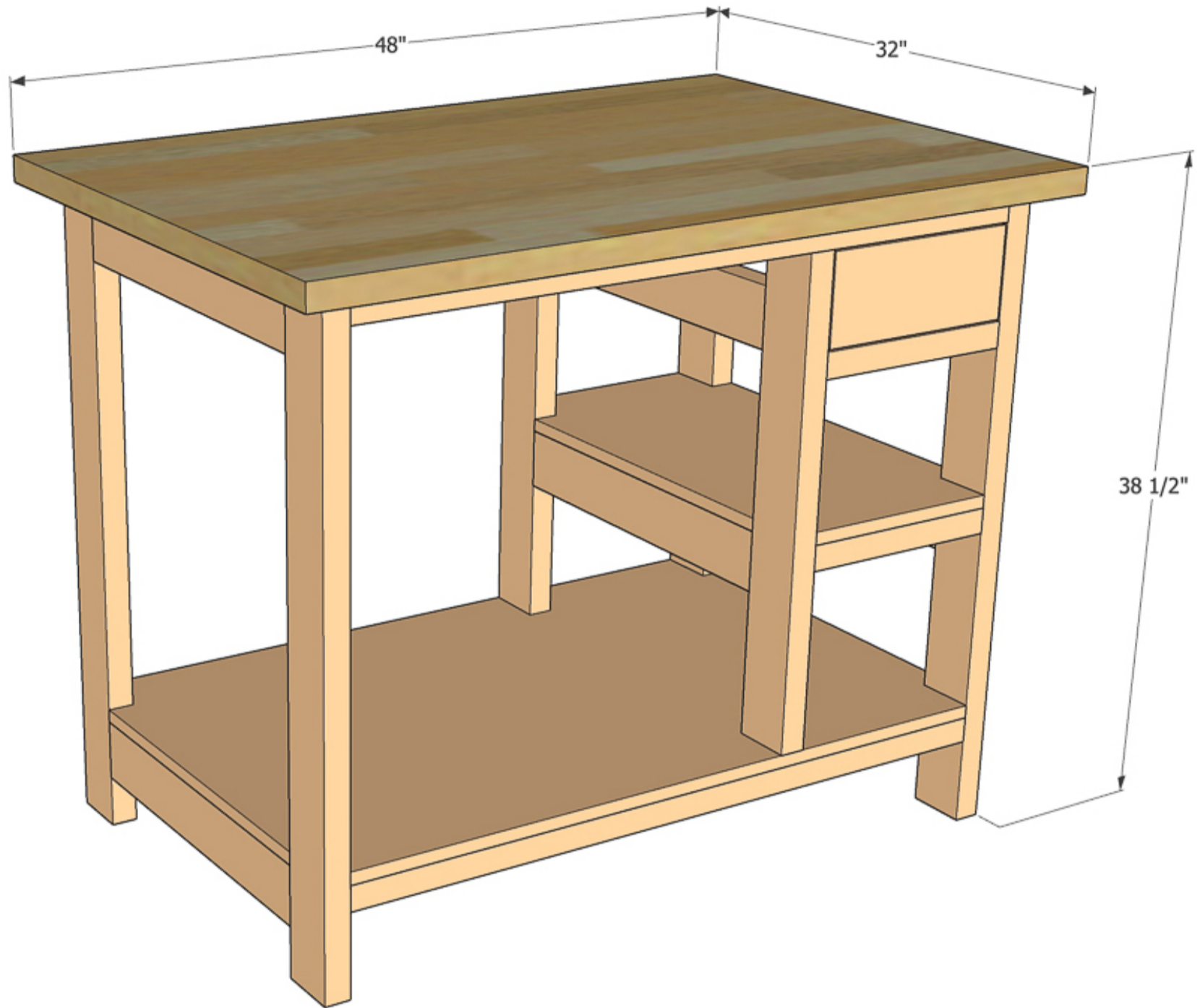
Attach the drawer front ensuring that there is a 1/8" gap on all sides.



11

**Attach the Workbench top**

Finally attach the workbench top to the top and support aprons using countersunk 2" pocket hole screws. Ensure that there is a 2" overhang on all sides.



12

**Done!**

Load it up with all your tools and get building!