

# DIY Storage Cabinet

By **Anika's DIY Life**

Difficulty

Advanced

Build a simple storage cabinet with a drawer and doors with adjustable shelves. This easy-to-build versatile piece of furniture can be used in any room!



# Tools

## Kreg Tools

Rip-Cut™ [Rip-Cut™](#)

Kreg® Pocket-Hole Jig 720PRO [Kreg® Pocket-Hole Jig 720PRO](#)

Straight Edge Guide [Straight Edge Guide](#)

Quick-Flip [Quick-Flip](#)

Drawer Slide Jig [Drawer Slide Jig](#)

Cabinet Hardware Jig [Cabinet Hardware Jig](#)

Cabinet Door Mounting Jig [Cabinet Door Mounting Jig](#)

Concealed Hinge Jig [Concealed Hinge Jig](#)

Classic 3 [Classic 3" Face Clamp](#)

Right Angle Clamp [Right Angle Clamp](#)

Multi-Mark™ [Multi-Mark™](#)

90° Pocket-Hole Driver [90° Pocket-Hole Driver](#)

Kreg 20V Ionic Drive™ 7 1/4" Circular Saw (Tool Only) [Kreg 20V Ionic Drive™ 7 1/4" Circular Saw \(Tool Only\)](#)

Kreg 20V Ionic Drive™ 1/2" Compact Drill (Tool Only) [Kreg 20V Ionic Drive™ 1/2" Compact Drill \(Tool Only\)](#)

Kreg 20V Ionic Drive™ 5" Random Orbit Sander (Tool Only) [Kreg 20V Ionic Drive™ 5" Random Orbit Sander \(Tool Only\)](#)

## Other Tools

Staple Gun

Miter Saw

Table Saw (optional)

# Materials

## Wood Products

1.5 Sheet Of Plywood , 3/4"

.5 Sheet Of Plywood , 1/4"

1 Board , 2x2x8

## Hardware & Supplies

1 Box Of 1 1/4" Pocket Hole Screws (See Tools List)

1 Box Of 2" Pocket Hole Screws (See Tools List)

1 Box Of 2 1/2" Pocket Hole Screws (See Tools List)

4 Cabinet Hardware Of Choice

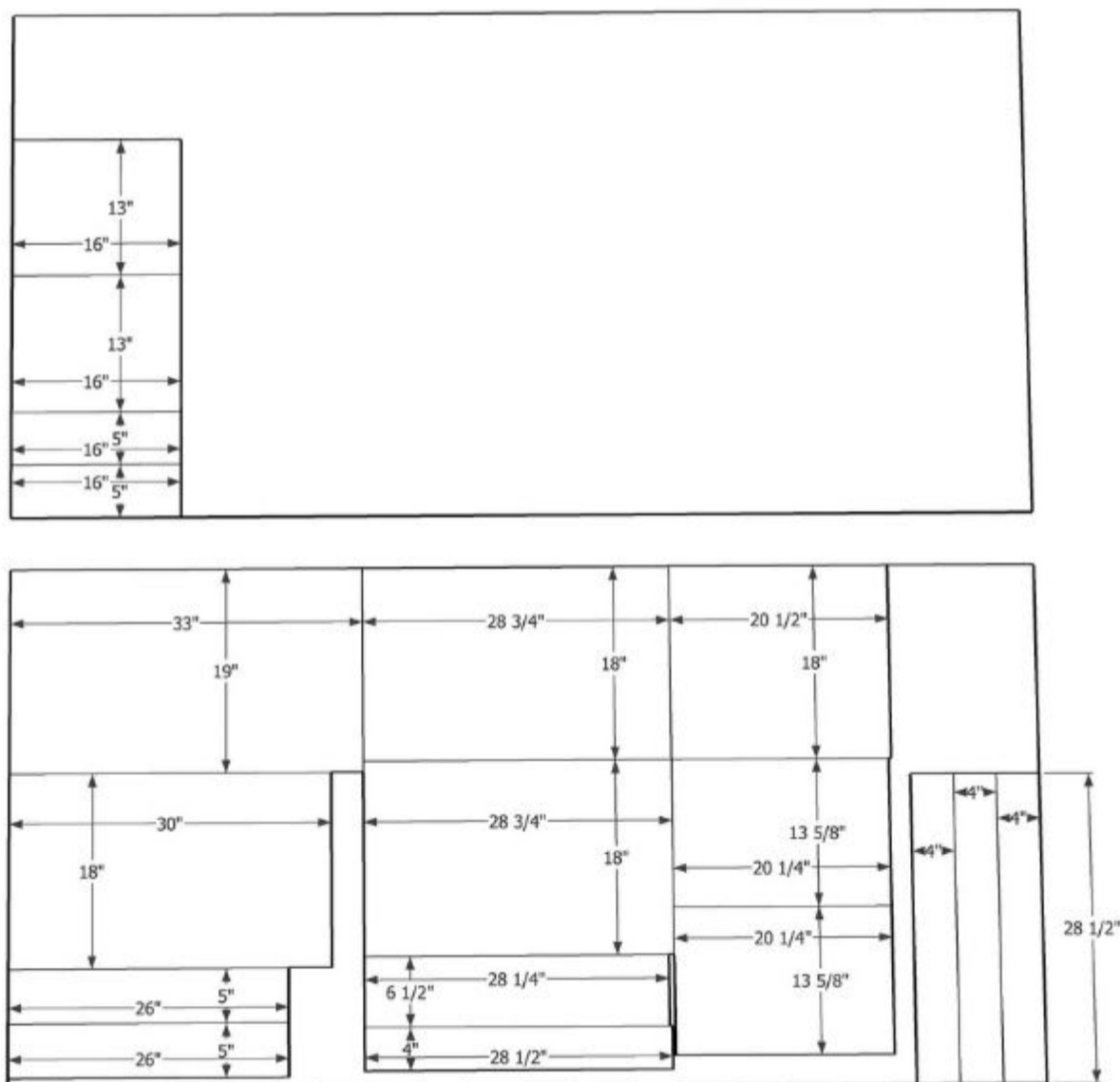
1 Paint Or Stain In The Color Of Choice

1 16" Drawer Slides

2 Inset Frameless Door Hinges (2 Pairs)

# Cut List & Parts

- 2 3/4" Plywood (Doors) , 20 1/4" X 13 5/8"
- 1 3/4" Plywood (Drawer Front) , 28 1/4" X 6 1/2"
- 1 3/4" Plywood (Top) , 33" X 19 1/2"
- 1 3/4" Plywood (Divider) , 20 1/2" X 18"
- 4 3/4" Plywood (Rails) , 28 1/2" X 4"
- 2 3/4" Plywood (Sides) , 28 3/4" X 18"
- 1 3/4" Plywood (Bottom) , 30" X 18"
- 2 3/4" Plywood (Shelves) , 13" X 16"
- 2 3/4" Plywood (Drawer Long Side) , 26" X 5"
- 2 3/4" Plywood (Drawer Short Side) , 16" X 5"
- 1 3/4" Plywood (Back Support) , 28 1/2" X 4"
- 1 1/4" Plywood (Back) , 29 1/2" X 22"
- 1 1/4" Plywood (Drawer Bottom) (If Not Using Dados) , 27 1/2" X 16"
- 2 Boards (Legs) , 2x2x5" (Long To Short End At 10-degrees- Parallelogram)
- 2 Boards (Long Aprons) , 2x2x22" (Short To Short End At 10-degrees- Trapezoid)
- 2 Boards (Short Aprons) , 2x2x9 1/2"



# Directions

1

## Watch The Video

Check out the YouTube video for this project.

[Watch The YouTube Video](#)

2

## Prepare the boards

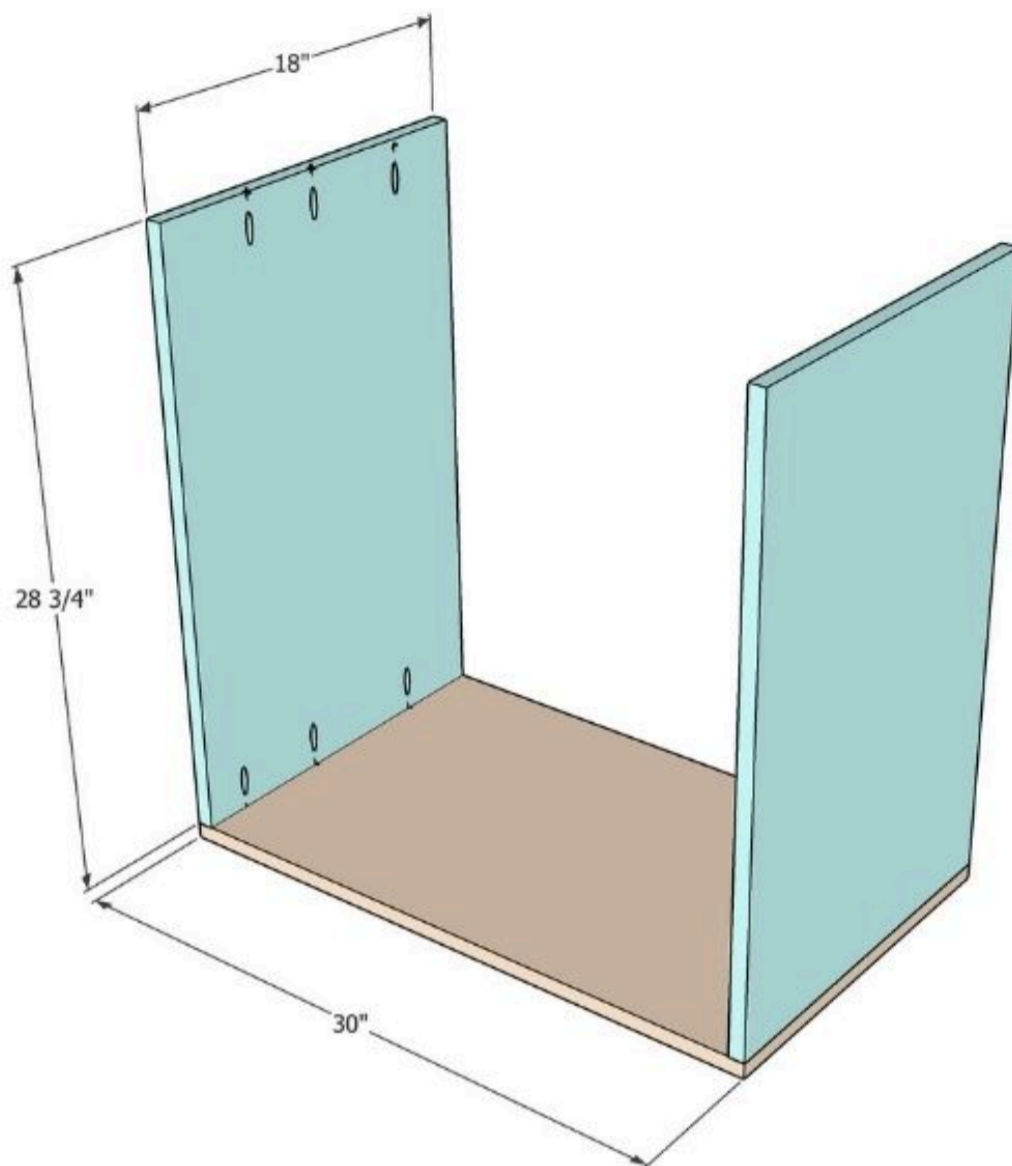
Make the cuts per the cut list. Review the plans and make pocket holes where needed. Pocket holes in plywood are made with  $\frac{3}{4}$ " setting on the pocket hole jig and pocket holes in the 2x2 is made with  $1\frac{1}{2}$ " setting.

Apply edge banding to all the edges that will be visible.



**3****Attach the sides**

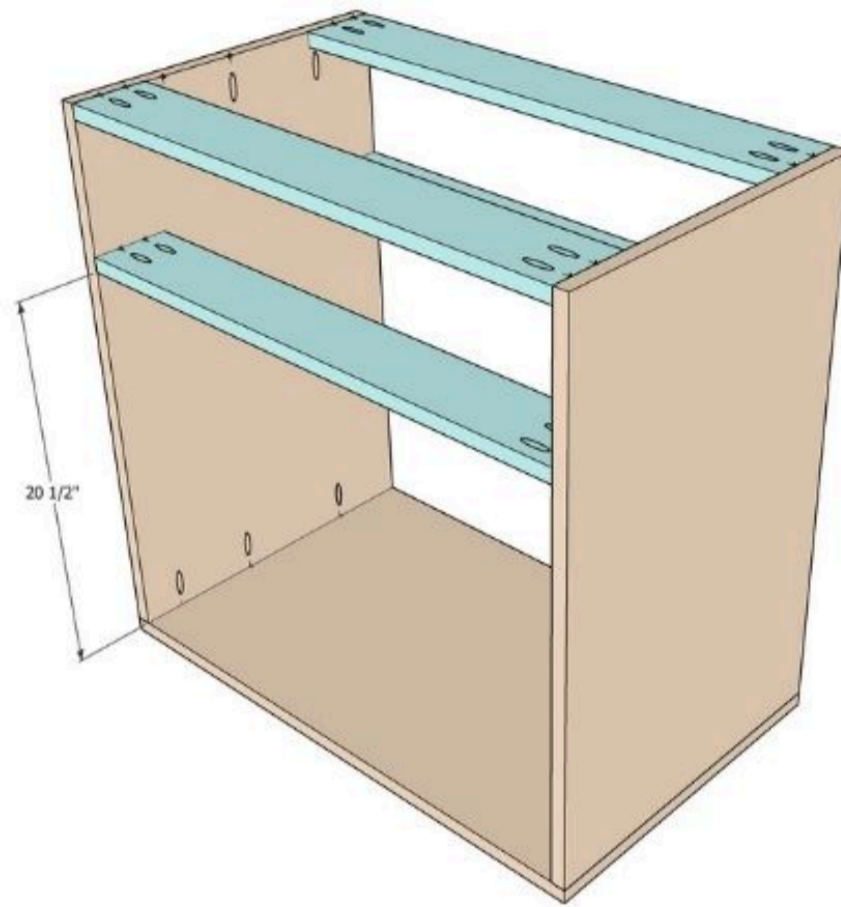
Attach the sides to the bottom using 1 1/4" pocket hole screws.



**4****Attach the rails**

The first set of rails is attached to the top of the cabinet using wood glue and 1 ¼" pocket hole screws.

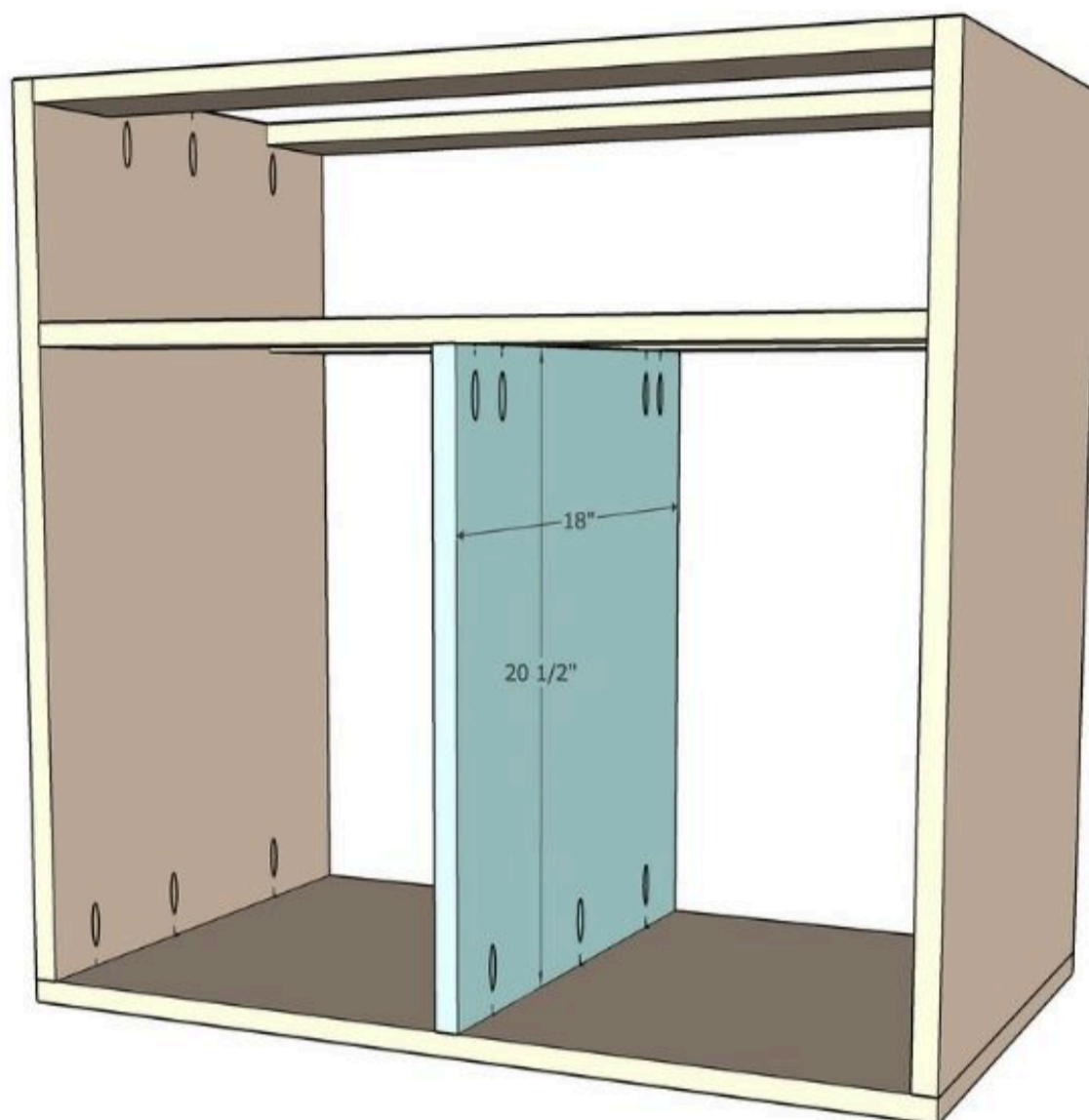
The second set of rails is attached as shown below using pocket hole screws.



**5****Attach the divider**

Measure and mark the exact location of the center divider.

Add the divider. Make sure it is square and level prior to attaching with pocket hole screws.

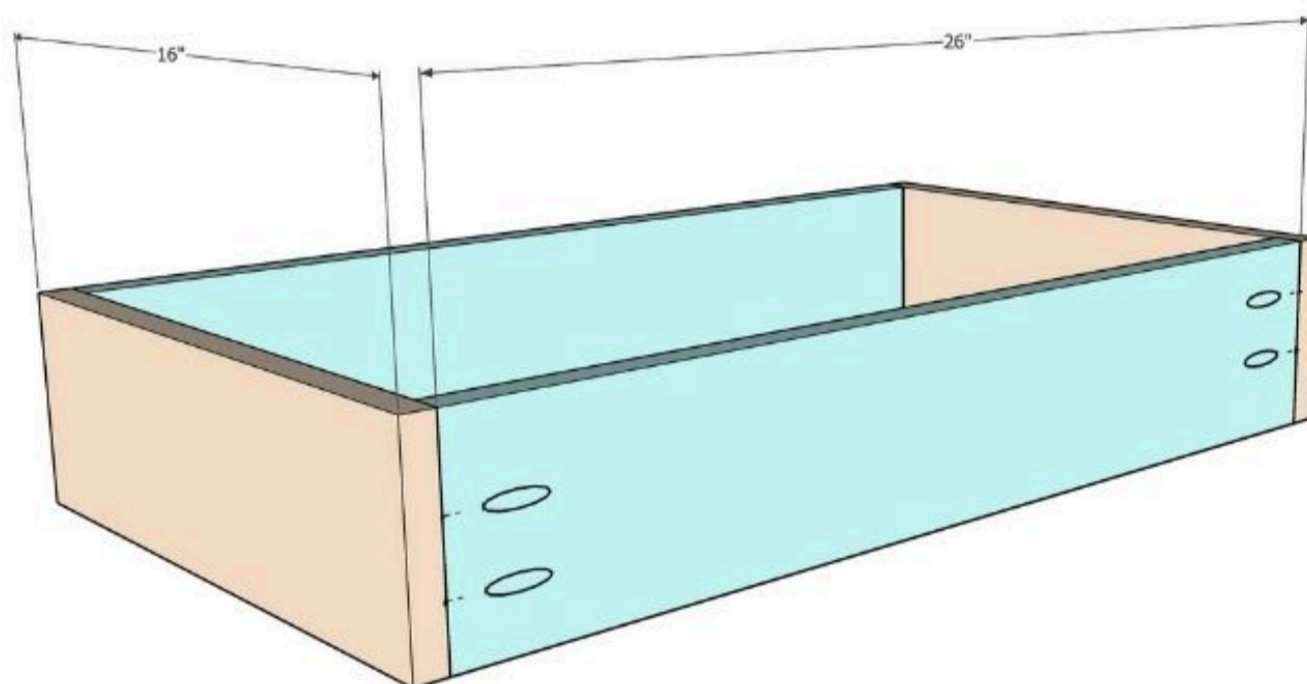


**6****Build the drawer box**

Build the drawer box as shown below.

The drawer box can be built two ways - either with the bottom sitting in a dado groove or on the outside.

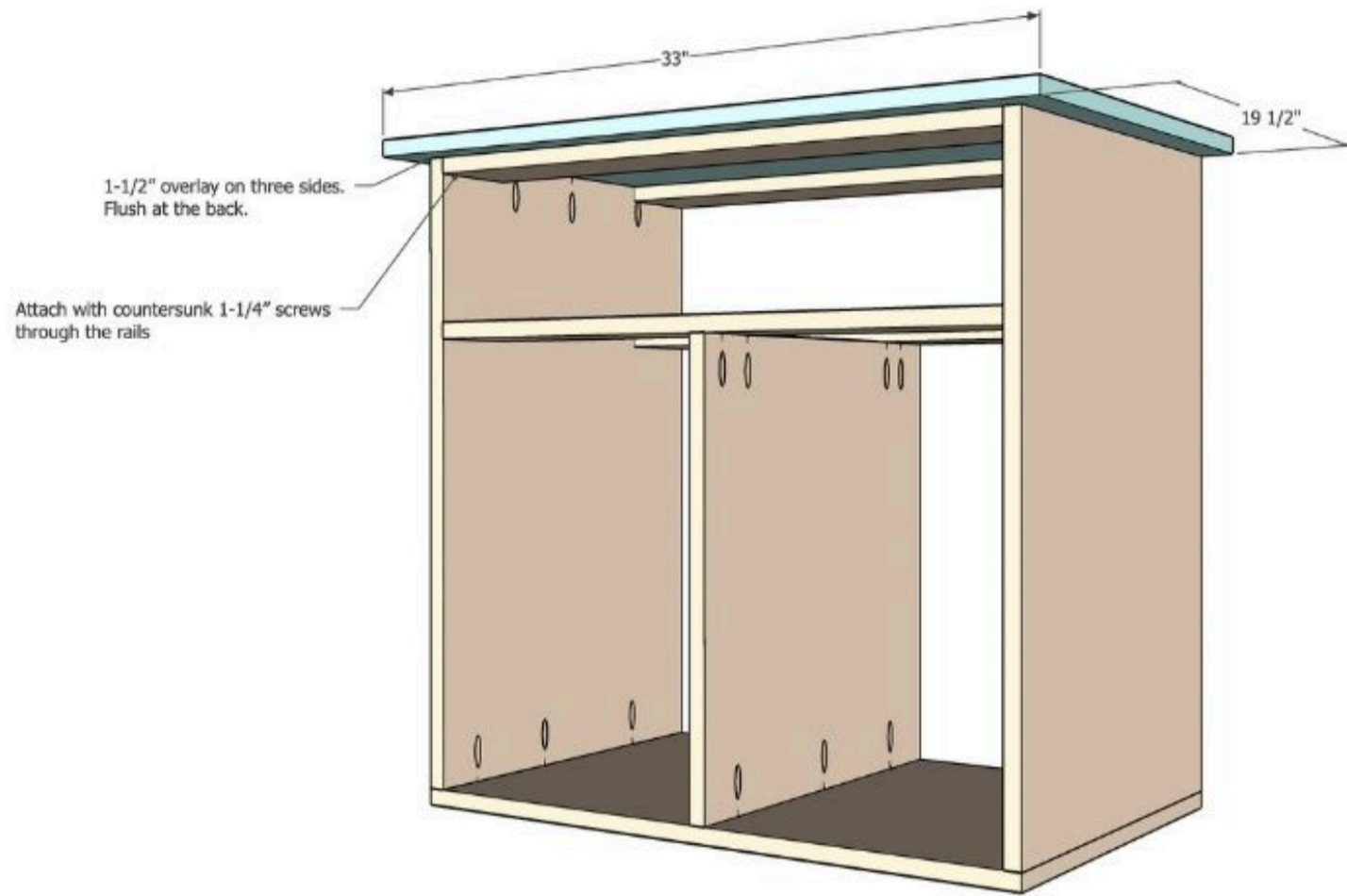
Install the drawer slide and make sure the drawer works before removing it for the next step.



7

**Attach the top**

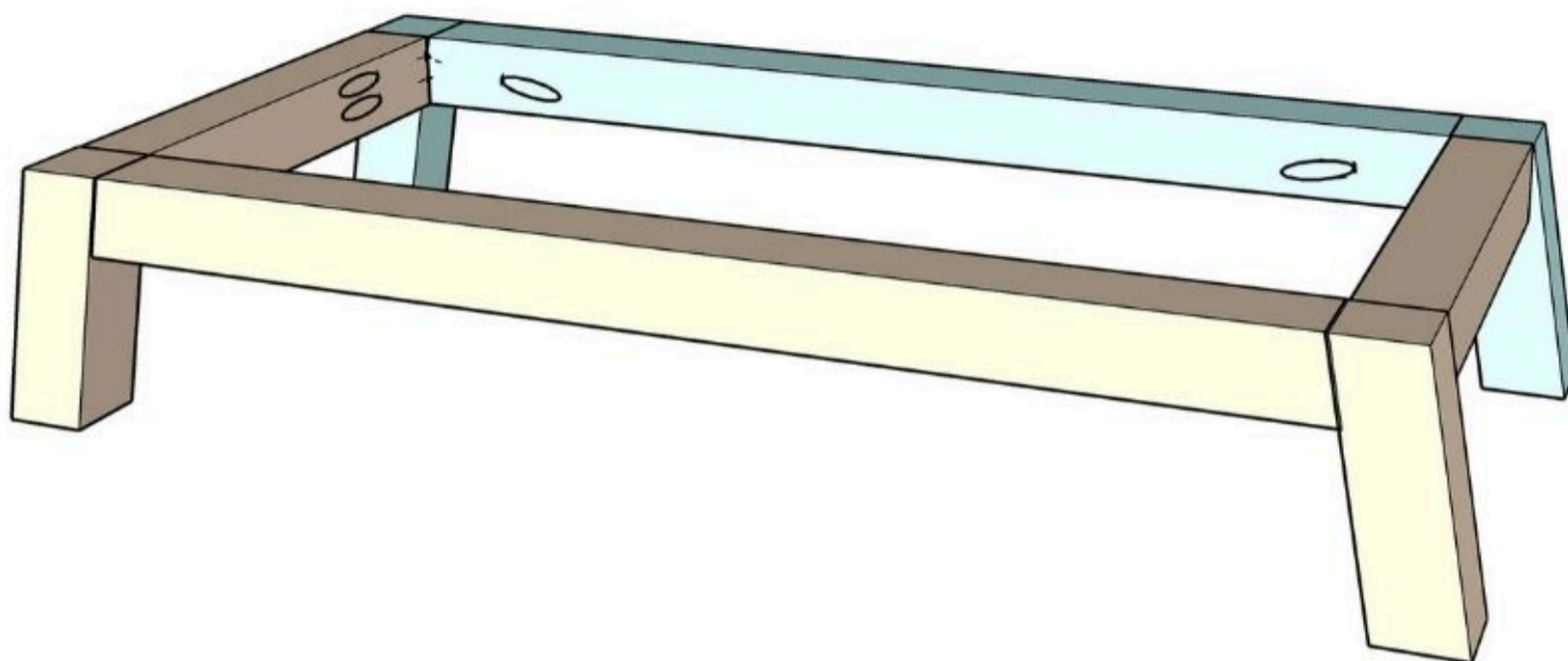
Make sure that the top is well centered before attaching with pocket hole screws through the sides and countersunk pocket hole screws in the rails.



8

### Build the base

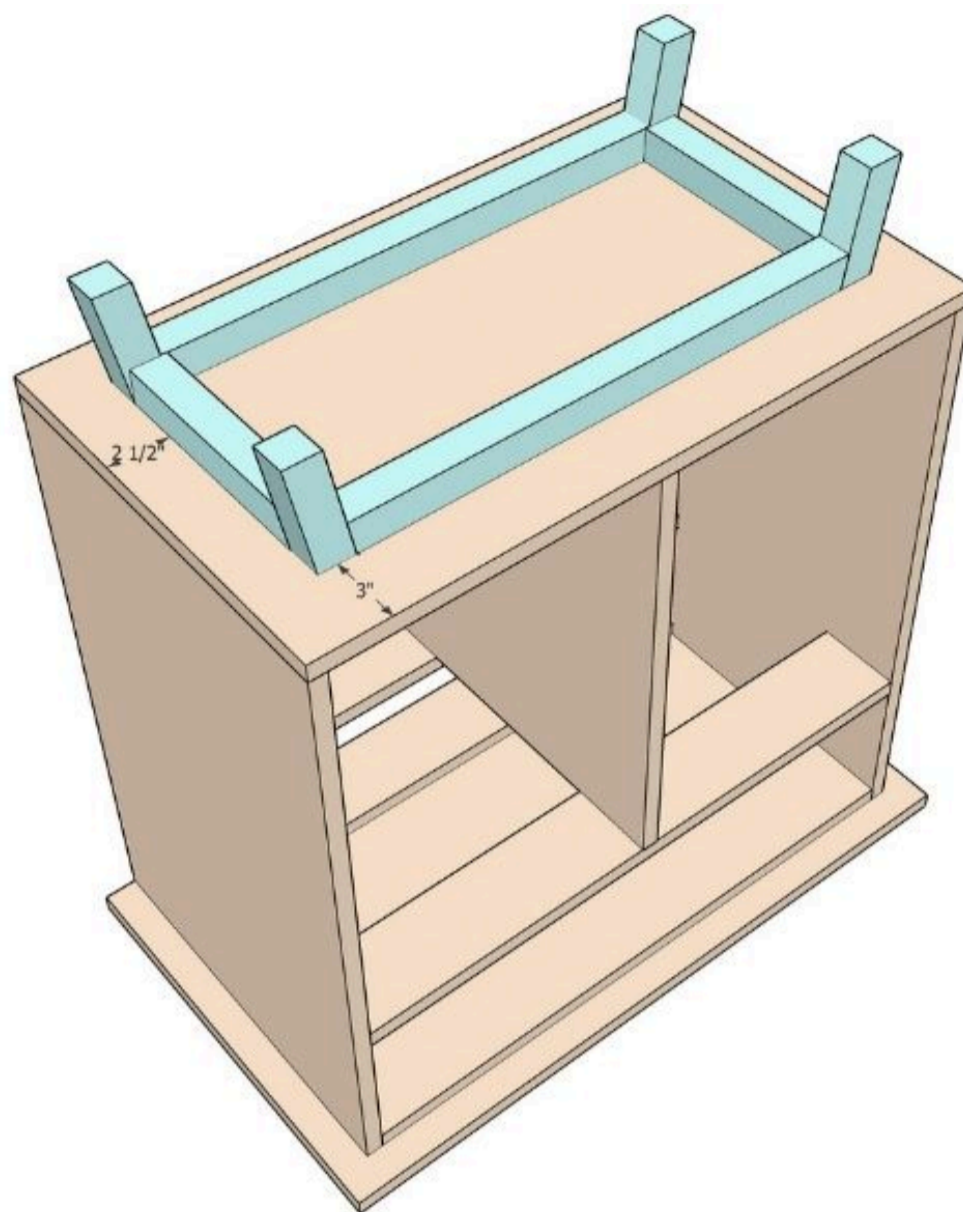
Build the base using the 2x2 boards as shown.



9

### Attach the base

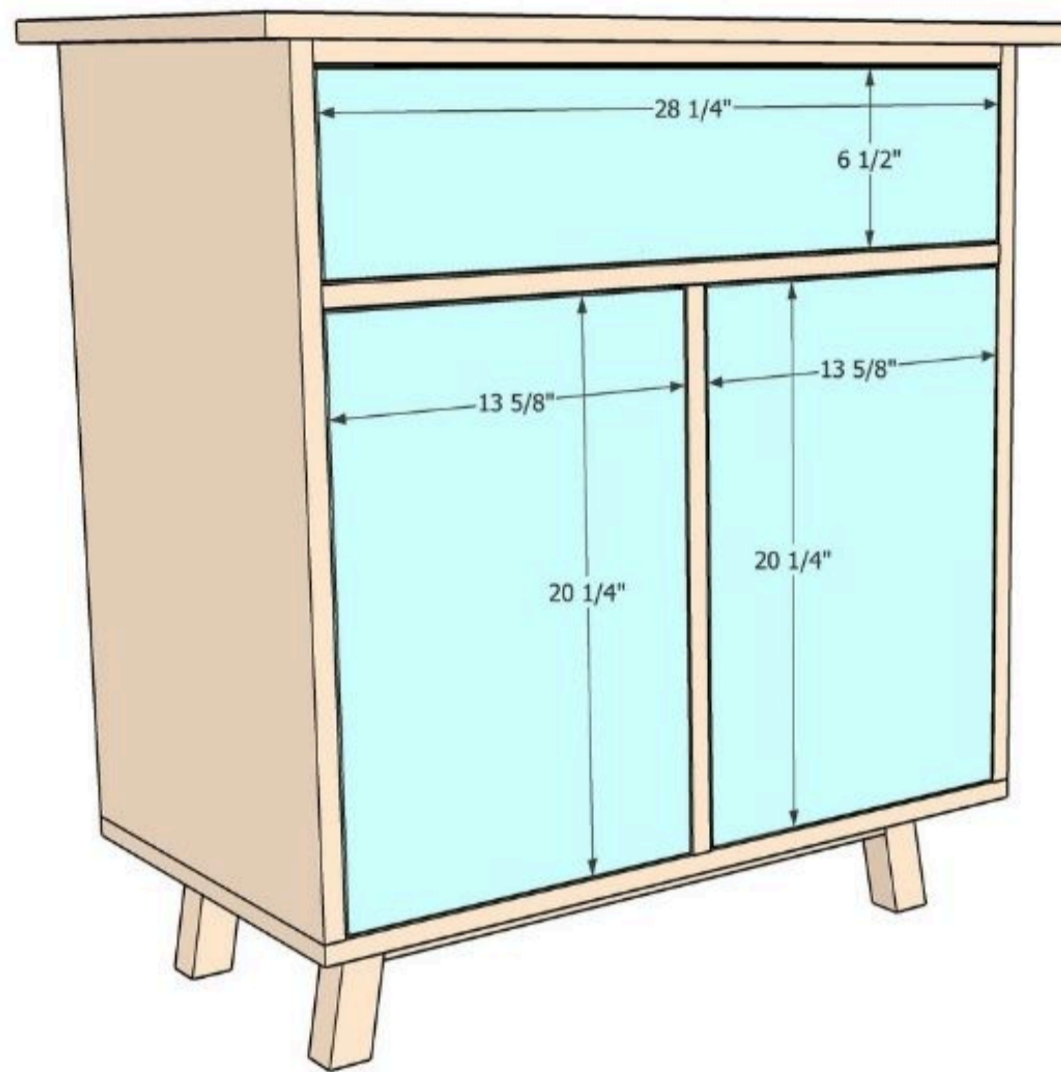
Center and attach the base to the bottom of the cabinet frame using countersunk 2" pocket hole screws.



10

### Install drawer and door

Install the drawer front as well as the doors using the cabinet door mounting jig set to the inset door setting.



11

### Attach the cabinet hardware

Using the hardware jig attach pulls to the cabinet.

**12****Add the back**

In order to anchor the cabinet to the wall, you can add back support.

Also, add a backer board to the bottom part of the cabinets using a staple gun.

