

Stuffed Animal Storage Zoo

By **fryguy**

Difficulty

Easy

This stuffed animal storage cage will provide a convenient place for the kids to neatly store their stuffed animals. The bungee sides allow them to easily pull the animals out, and the open top allows them to toss them back in when done.





Tools

Kreg Tools



[Kreg® Pocket-Hole Jig 720](#)

Other Tools

Miter Saw

Tape Measure

Clamps

Drill (cordless)

Sander

Materials

Wood Products

2 Board , 1x4 , 96"

2 Board , 1x2 , 96"

Hardware & Supplies

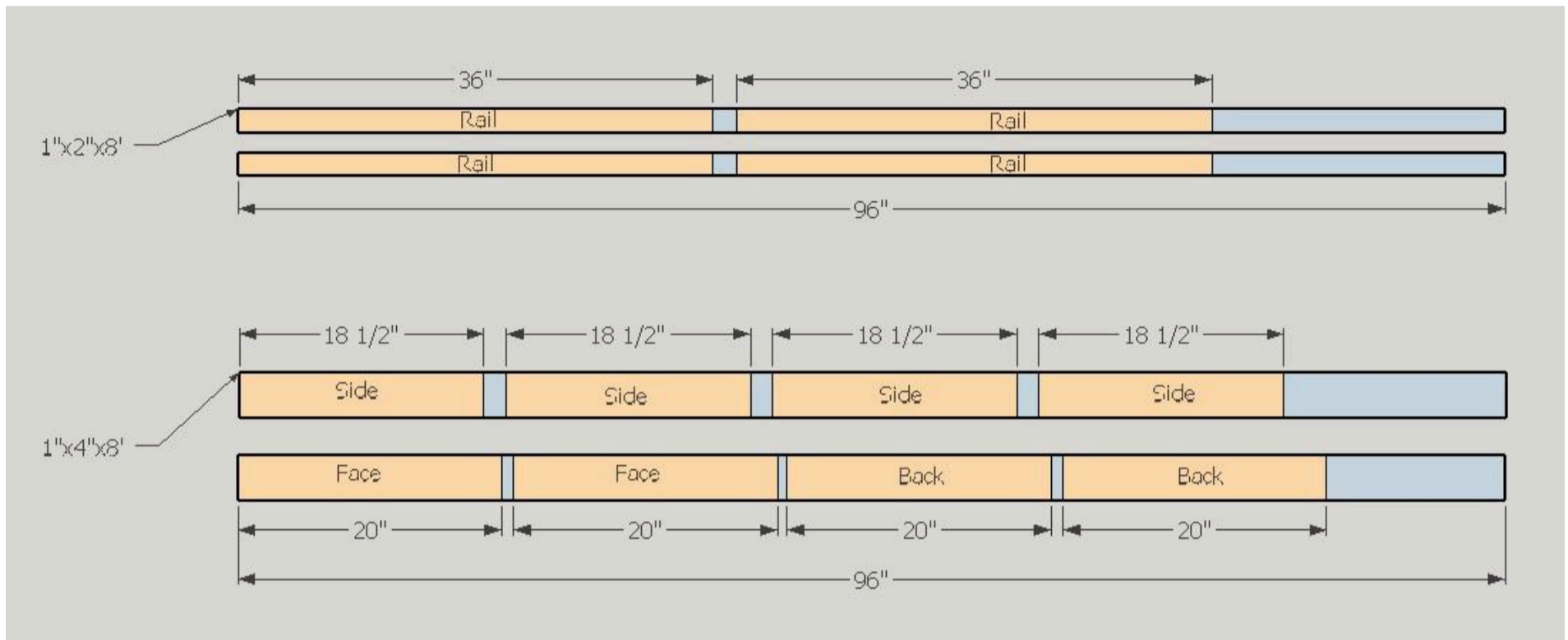
1 1/4" Bungee Cord (50' Spool)

16 1 1/4" Pocket-Hole Screws

16 1 1/4" Drywall Screws

Cut List & Parts

- 4 Box Frame Face/Back, 3/4" X 3 1/2" X 20"
- 4 Box Frame Sides, 3/4" X 3 1/2" X 18 1/2"
- 4 Rails, 3/4" X 1 1/2" X 36"

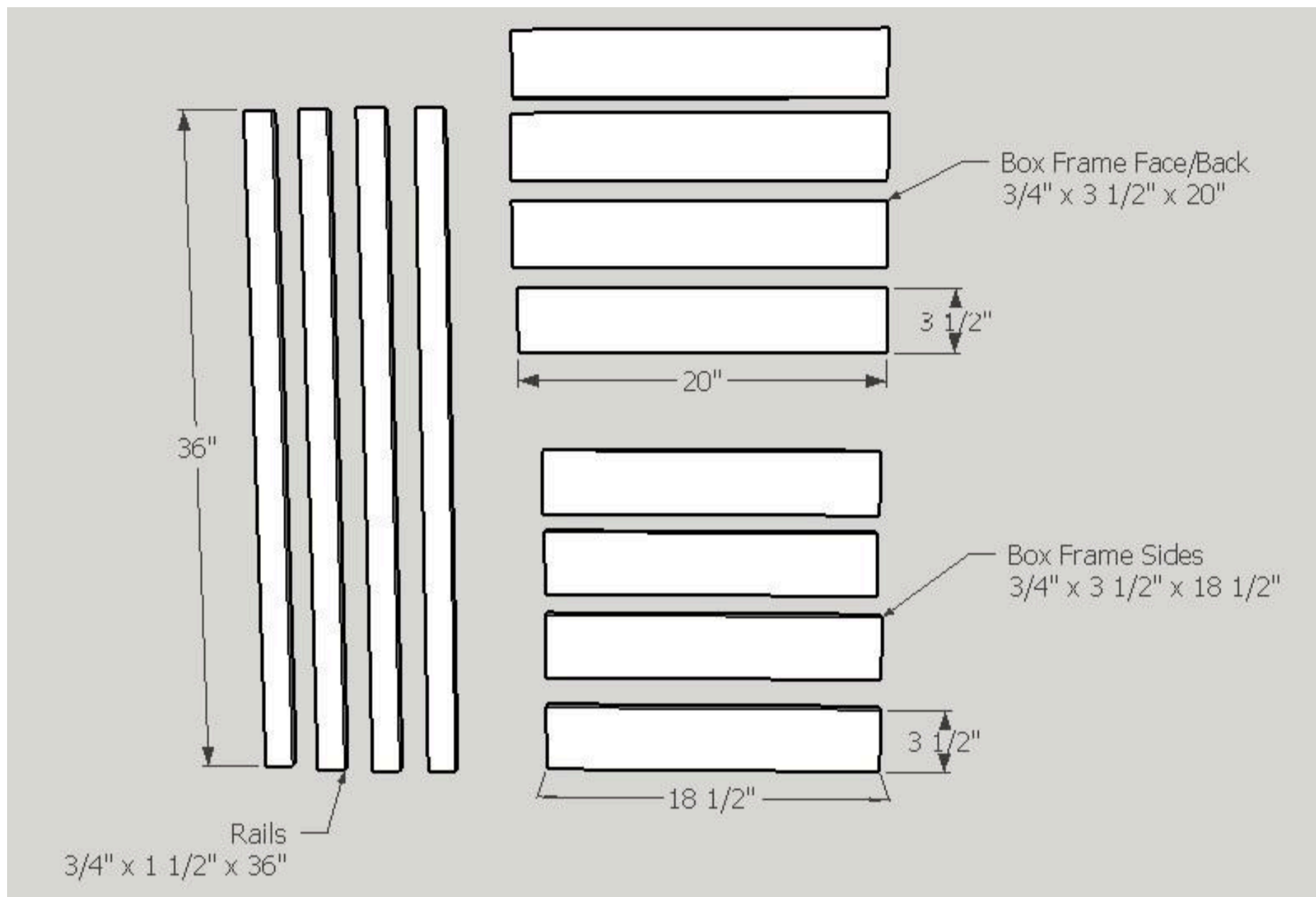


Directions

1

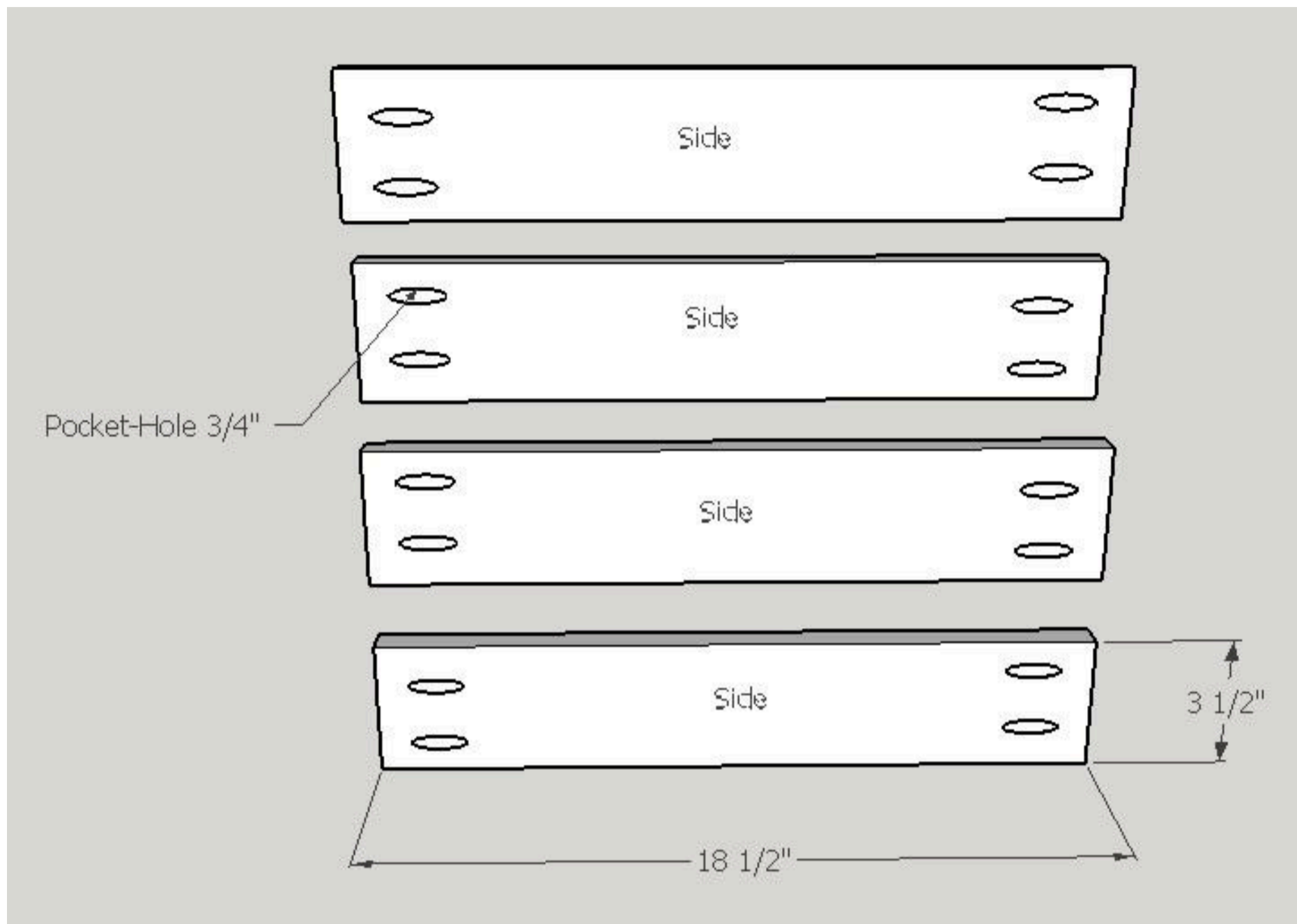
Cut Components

Cut components from Parts/Cut List. It is helpful to use a stop to get consistent lengths.



2**Drill Pocket-Holes**

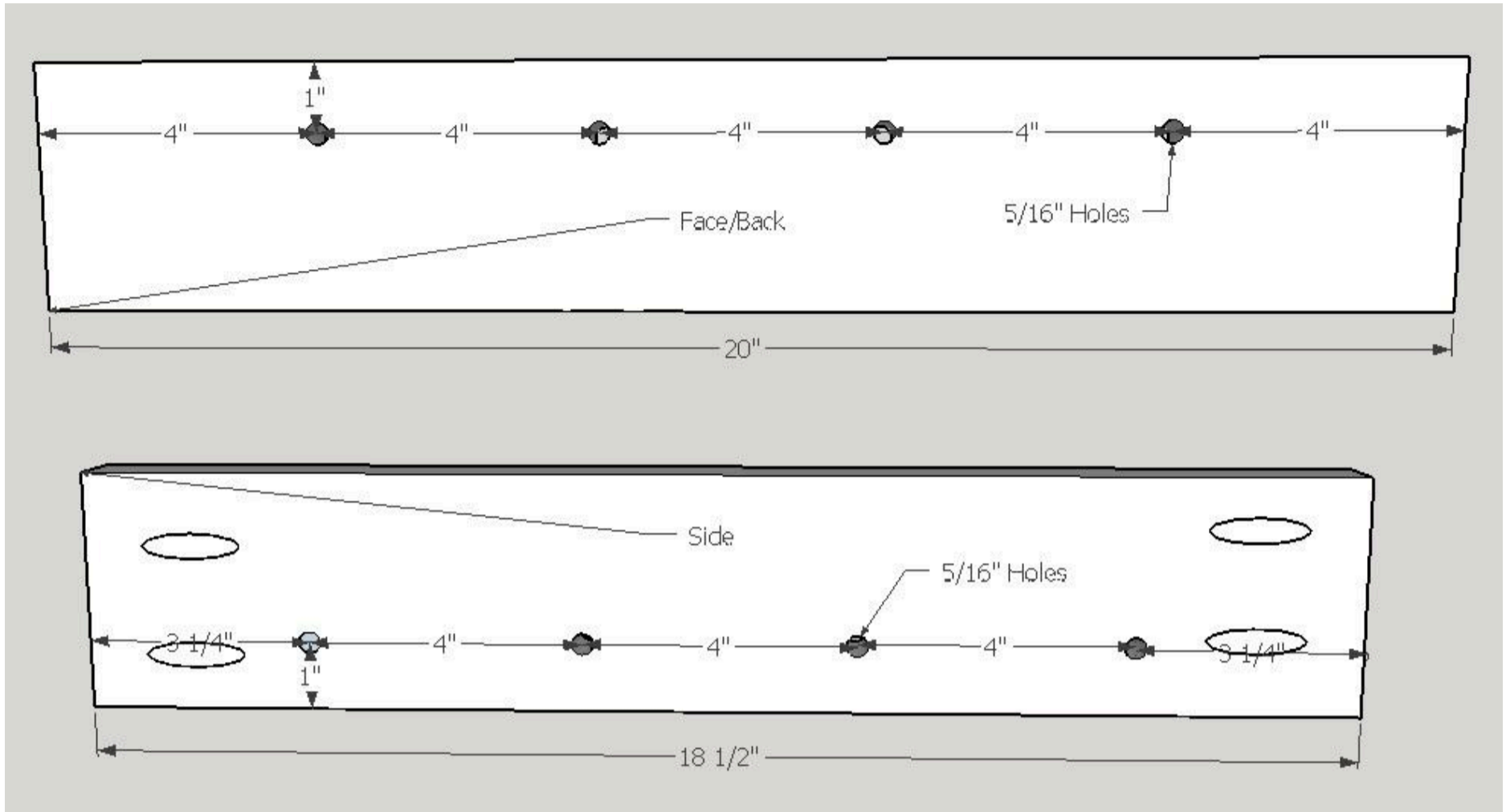
Drill pocket-holes as shown in the ends of the four box frame sides ($3/4" \times 3 1/2" \times 18 1/2"$). Set your jig for $3/4"$ material.



3

Drill Bungee Holes

Measure, mark, and drill the four 5/16" bungee holes in all eight of the box frame components as shown. It's helpful to drill the holes in one and then clamp it to each of the others to use as a template for consistent hole positions.



4

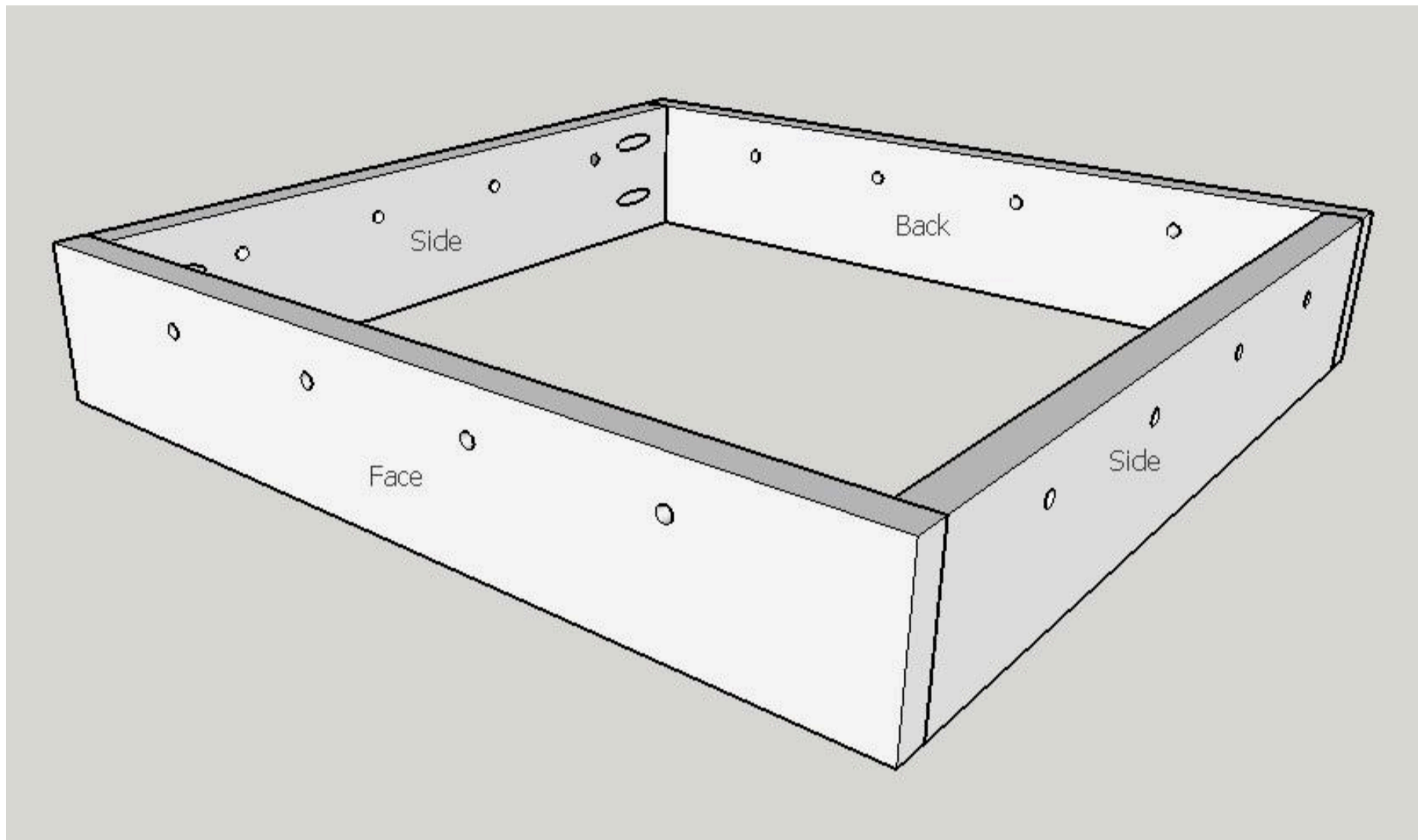
Sand Components

Sand the surfaces of all components prior to assembly.

5

Assemble Box Frames

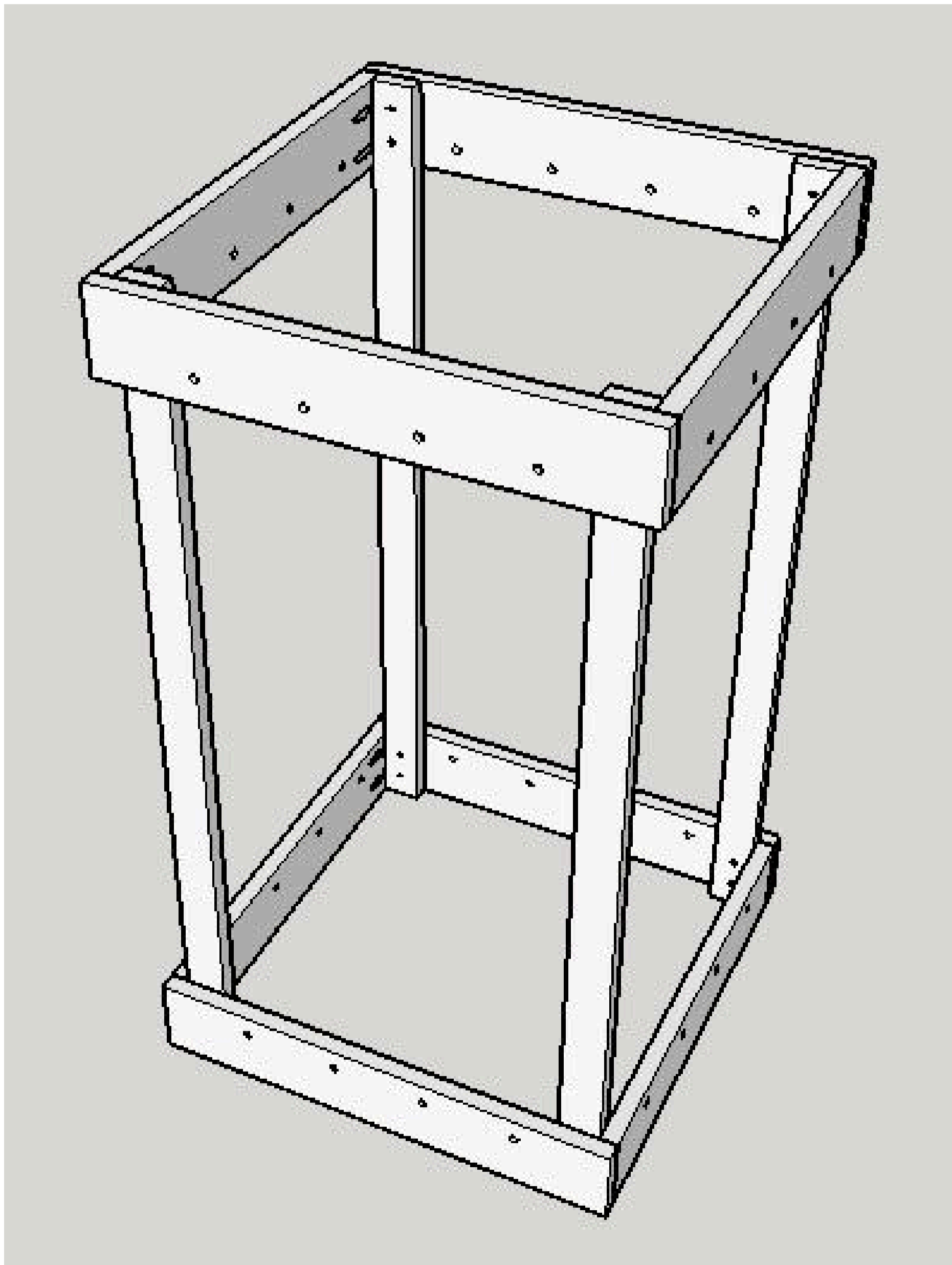
Assemble the top and bottom box frames as shown with 1 1/4" pocket-hole screws.



6

Assemble Cage

Attach the top and bottom box frames together using the 3/4" x 1 1/2" x 36" rails. Attach with 1 1/4" drywall screws. I recommend pre-drilling to prevent splitting the rails.



7**Final Sanding**

Final sand the cage as needed. I recommend sanding all of the exposed edges/corners to round them off a bit at this point.

8

Paint/Stain

Paint or stain the assembled cage as desired. Allow sufficient time to dry before proceeding to next step.



9**Install The Bungee**

Feed the bungee from the inside bottom on one side. Pull about 10' through the first hole and then go straight up and pull it all from the outside to the inside on the top. Pull the cord to the side to the next hole on the top and feed it back through. Once you get it fed through all holes on the side, tie a knot in the end that you just fed through the last hole on the bottom. Now work backwards and pull the bungee tight against the knot and work all the way back to the first hole. I found that pulling it very tight worked best. Once you work back through the first hole, use the scissors to cut the bungee off of the spool. Leave about 8 – 10" so you can tie a knot to secure the bungee for that side. Repeat for all sides.



10

Trim Bungee

After all bungee is installed, trim the ends of the knots with scissors and melt the ends of the bungee with a lighter to help prevent fraying.
