

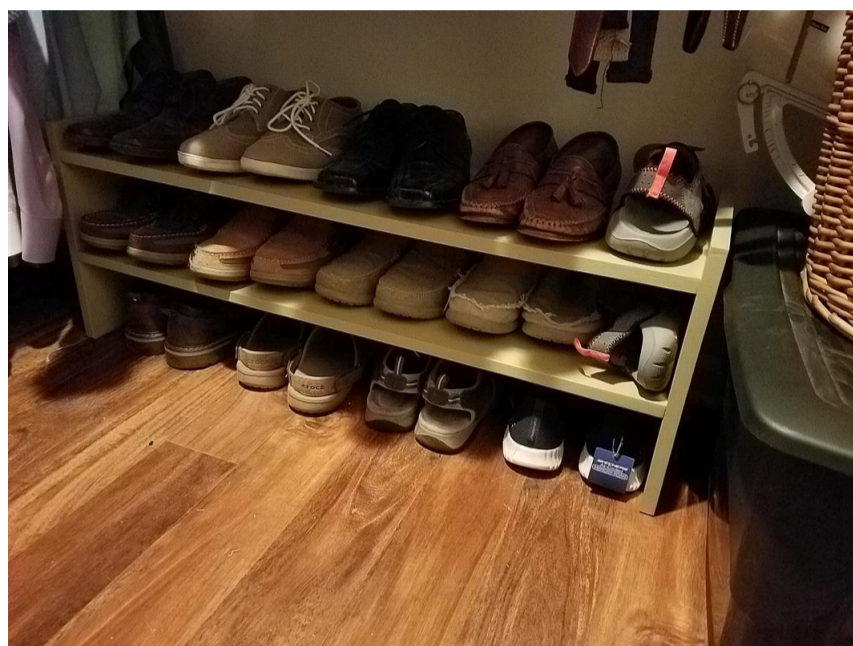
Simple shoe storage rack

By Ifrost

Difficulty

Easy

Simple shoe storage rack. Depending on the size of your shoes, you can store 12-15 pair of shoes



Tools

Kreg Tools



[Kreg® Pocket-Hole Jig 720](#)

Other Tools

Miter Saw

Square

Tape Measure

Sander

Workbench

Materials

Wood Products

1 Board , 1x12 , 48"

1 Board , 1x12 , 72"

Hardware & Supplies

12 1 1/4" Kreg Pocket Hole Screws

Cut List & Parts

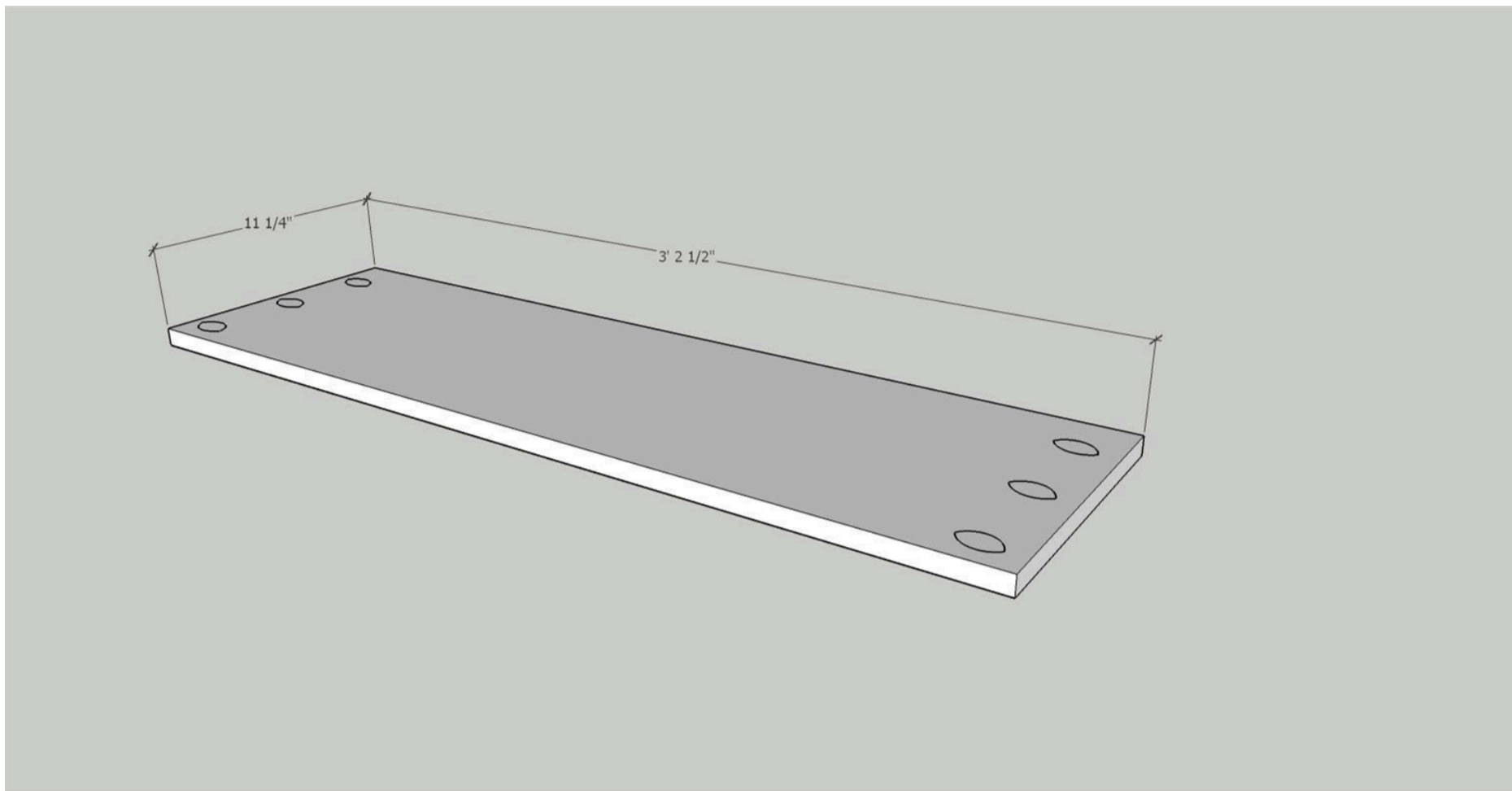
- 2 End Panels , 3/4" X 11 1/4" X 15"
- 2 Shelf , 3/4" X 11 1/4" X 40"

Directions

1

Cut shelves

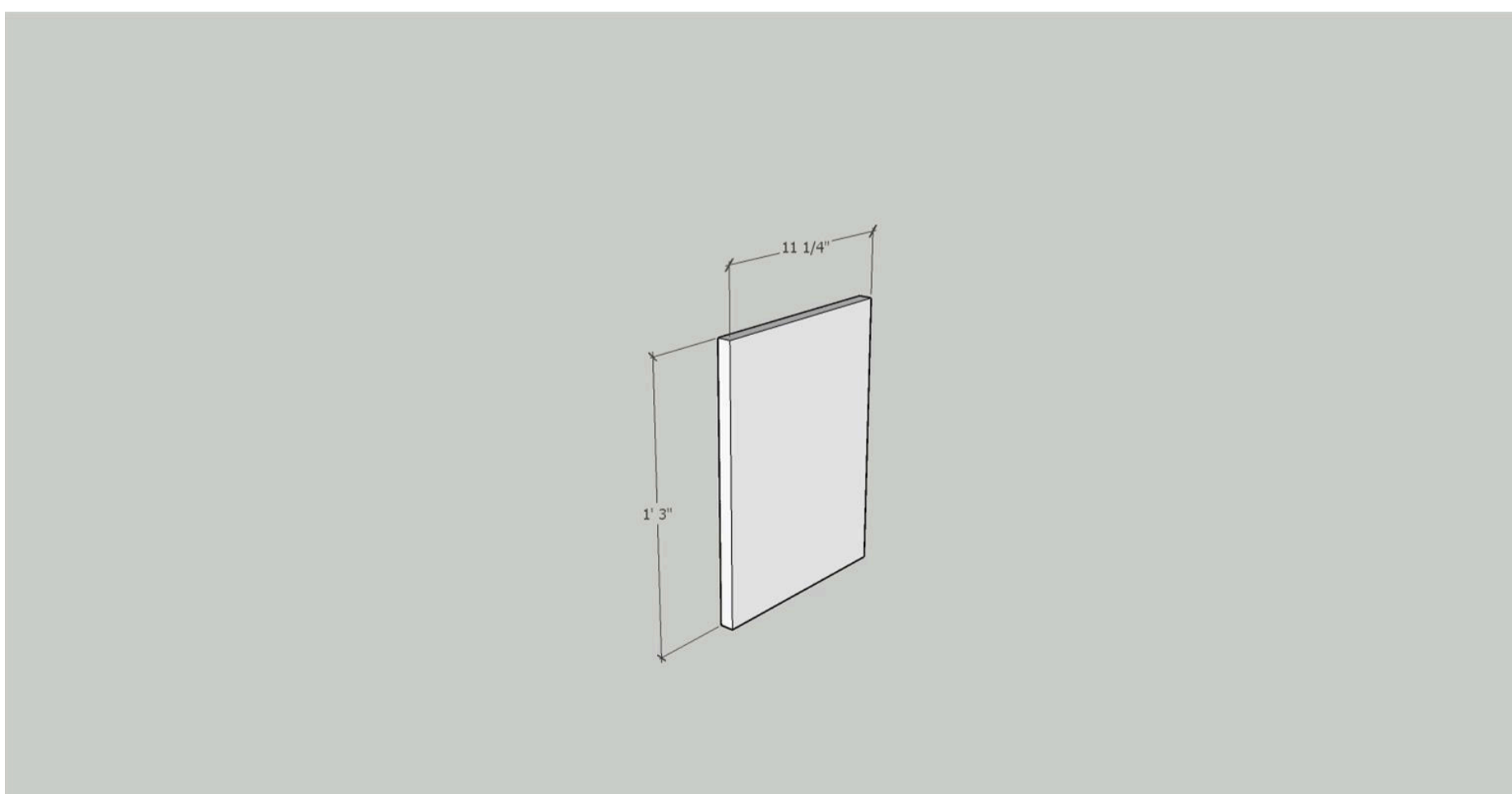
Cut two shelves. Cut one shelf from a 6' 1x12 at 38 1/2" long and the other shelf from a 4' 1x12 at 38 1/4" long. Drill (3) pocket holes in each end of each shelf for 1 1/4" pocket hole screws



2

Cut end panels

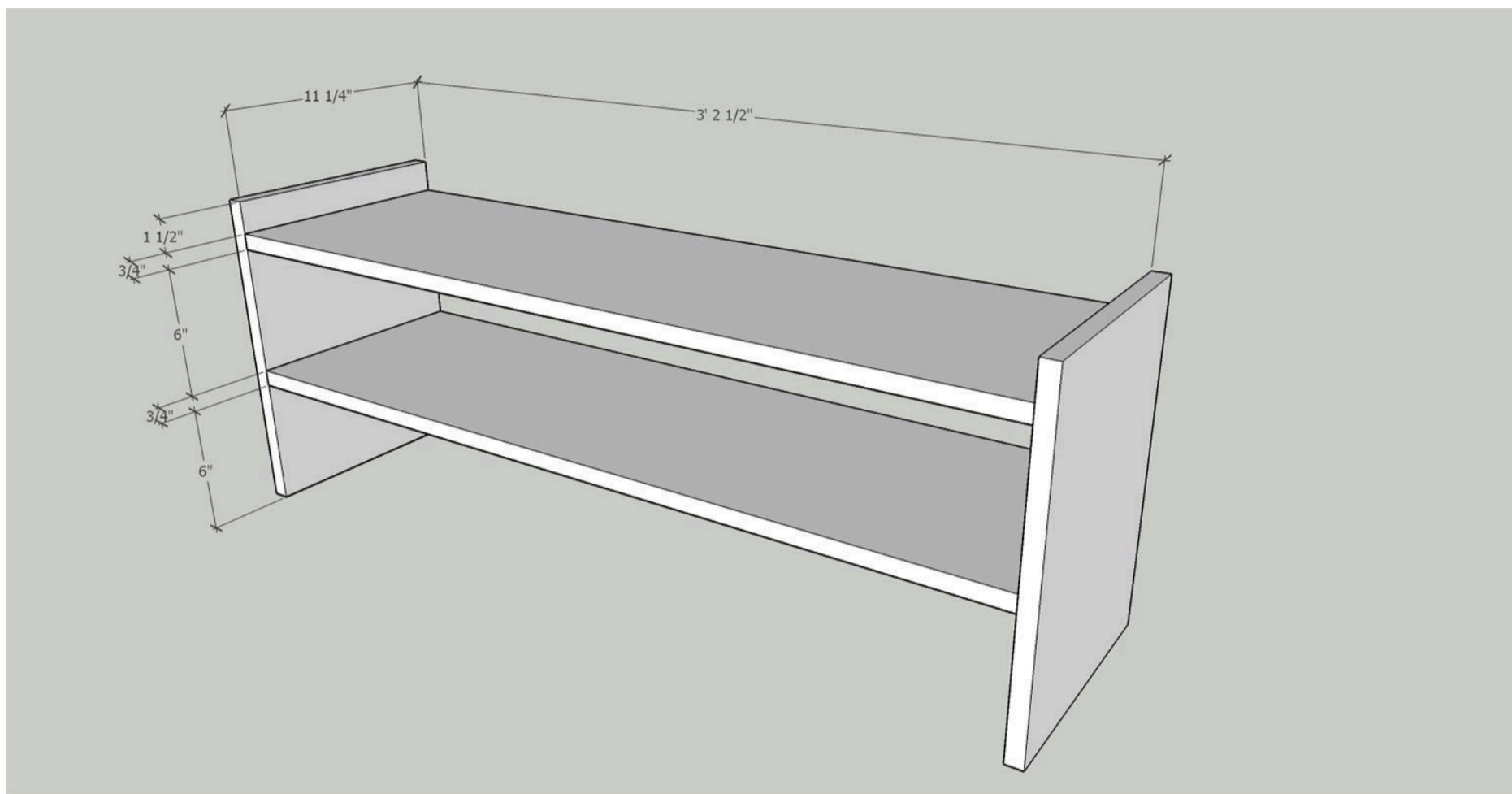
Cut two end panels from the remainder of the 6' 1x12. Cut each end panel 15" long



3

Assemble the unit

Assemble the shelves and end panels by using (3) 1 1/4" Kreg pocket hole screws in each end of each shelf.



4

Finish

Fill pocket holes and finish by painting or staining....your preference.