

Modern Farmhouse Bench

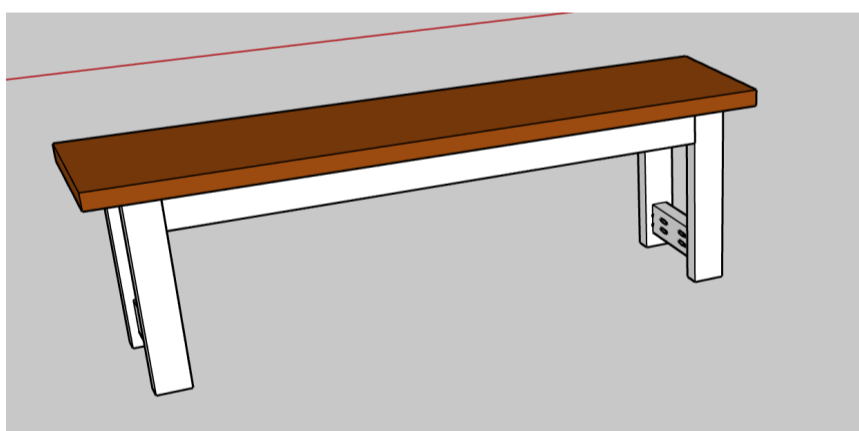
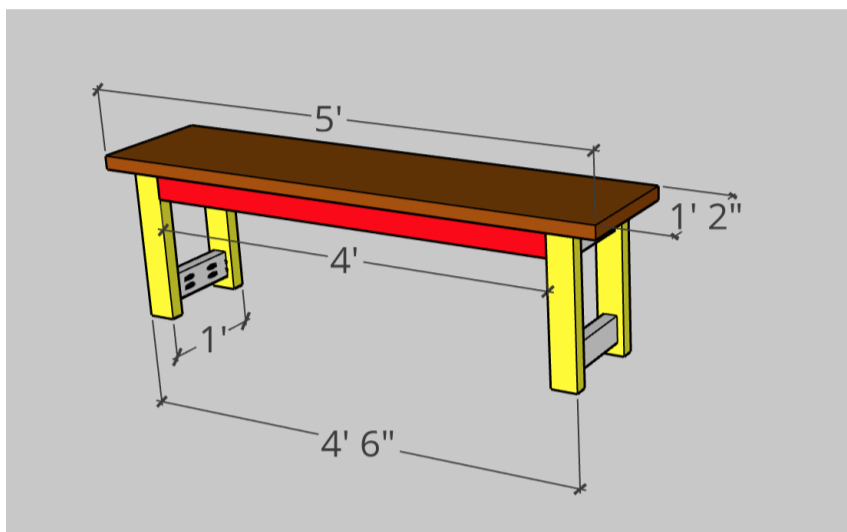
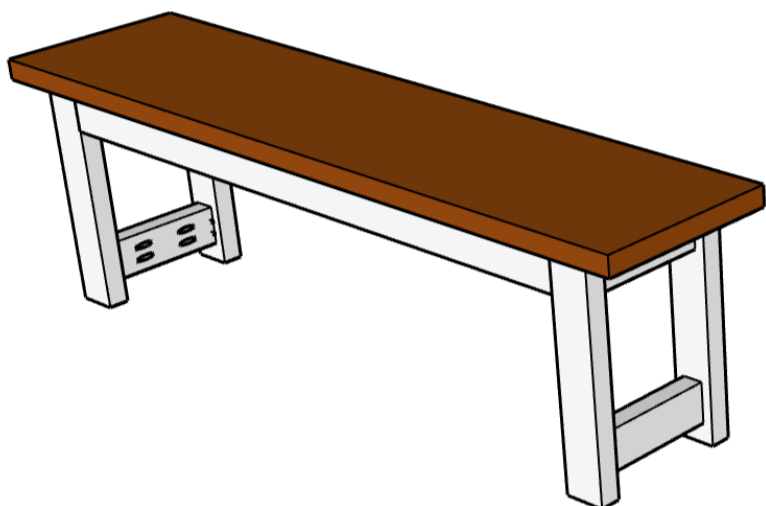
By **bernsteinmatt17**

Difficulty

Easy

5 Step plans to build your own modern farmhouse bench. Sizes can easily be altered, and it only takes 3 boards of lumber that costs 20 dollars. All you need is a saw and pocket hole joinery! Do it yourself bench plans. Customize however you like.

Message with any question





Tools

Kreg Tools



[Kreg® Pocket-Hole Jig 720](#)

Other Tools

Miter Saw

Drill (cordless)

Materials

Wood Products

2 Board , 2x4 , 120"

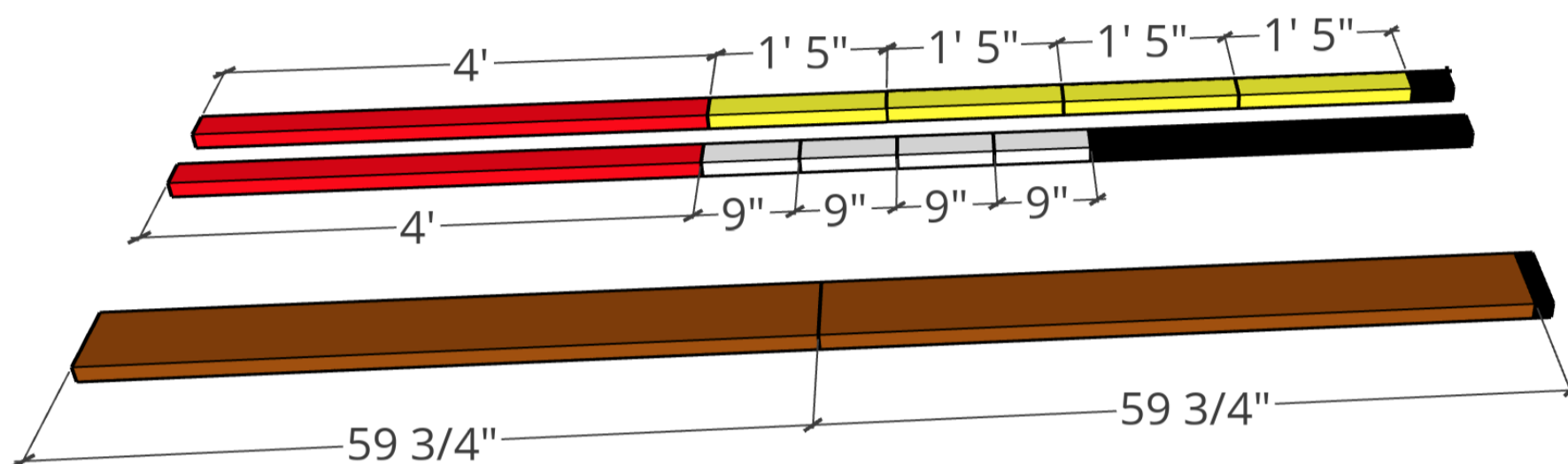
1 Board , 2x8 , 120"

Hardware & Supplies

35 2 1/2" Pocket Hole Screws

Cut List & Parts

- 4 Legs , 1.5"x3"x17"
- 4 Short Apron , 1.5"x3"x9"
- 2 Long Apron , 1.5"x3"x48"
- 2 Top Piece Cut , 1.5"x7"x59 3/4"



NOTE

The 2x4 boards have been ripped from 3.5 inches to 3 inches. This is not necessary but make sure to adjust measurements to account for the difference in width of the boards. The 2x8 board has also been ripped to 7 inches to allow a smooth top.

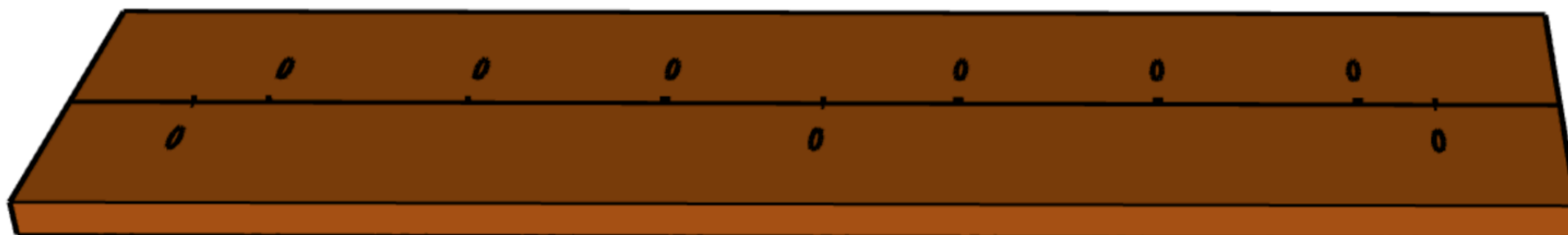
Directions

1

Bench Top

---NOTE: The 2x8 board has also been ripped to 7 inches to allow a smooth top. This is not a necessary step.---

Make the cuts for the two-piece top. Then drill 1 1/2 inch pocket holes. Apply glue for added strength, clamp the two boards together and attach with 2 1/2 inch pocket hole screws.

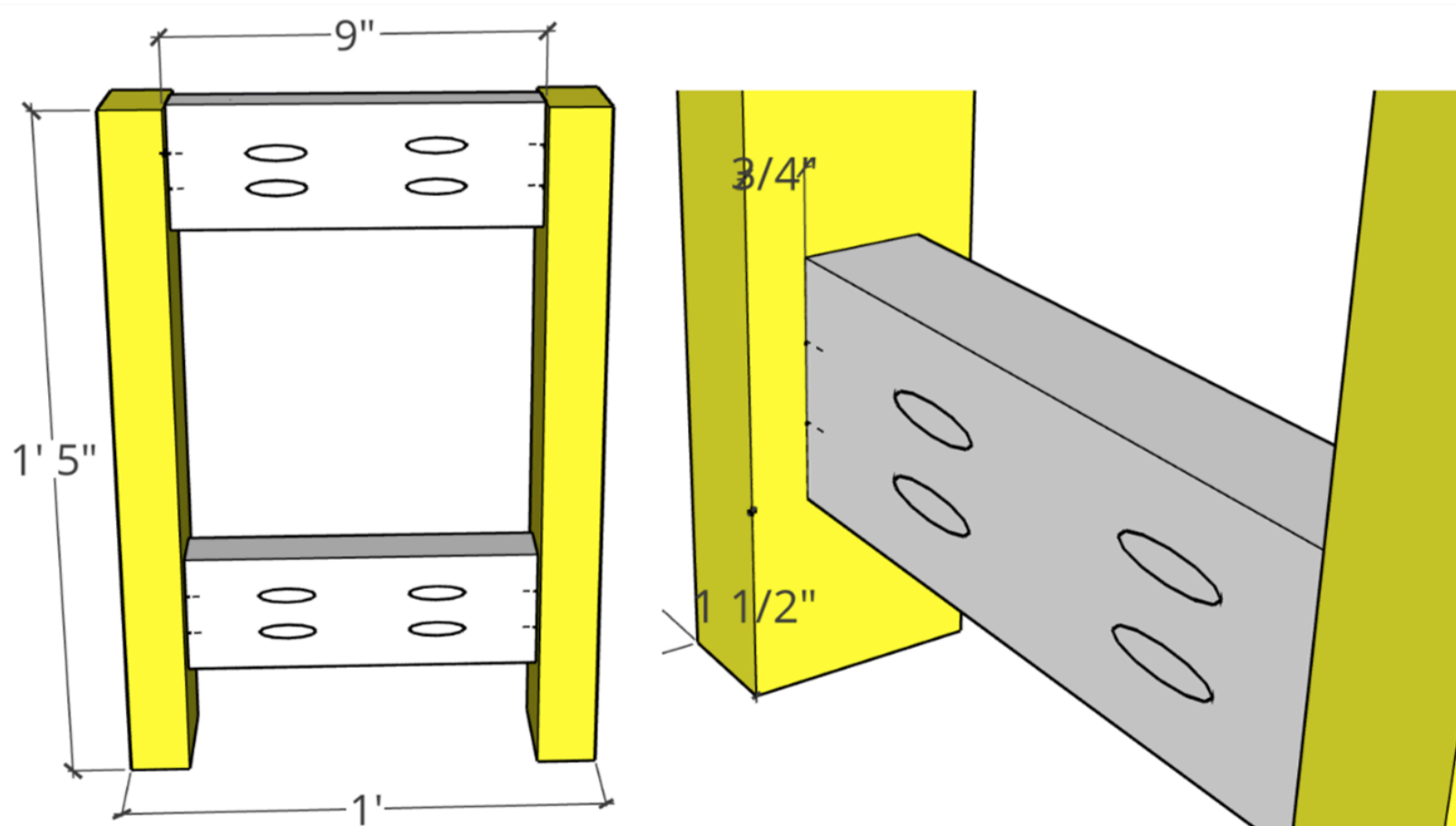


2

Legs

---NOTE: The 2x4 boards have been ripped from 3.5 inches to 3 inches for all cuts of 2x4's for the project. This is not necessary but make sure to adjust measurements to account for the difference in width of the boards.---

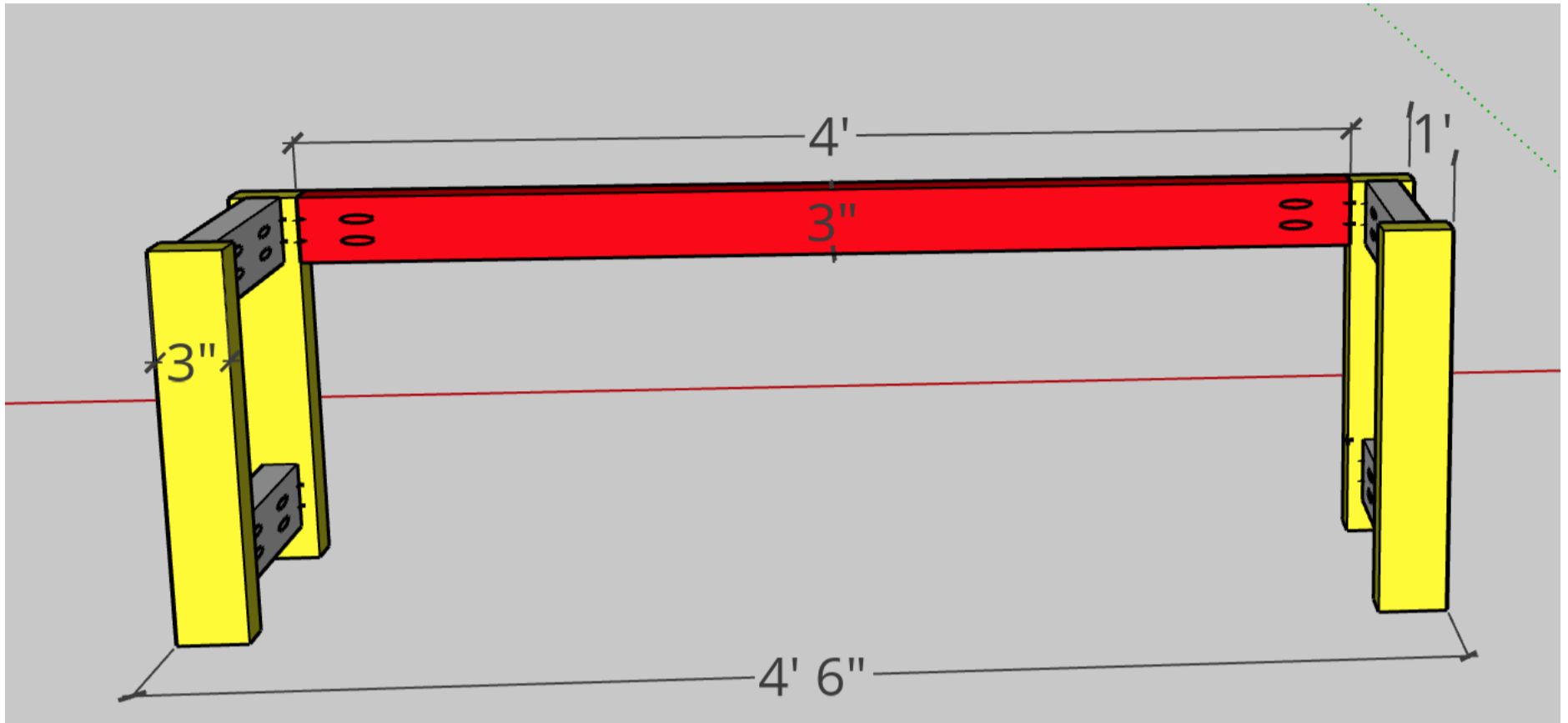
Cut the legs and short aprons to size. Drill 1 1/2 inch pocket holes on the aprons. Attach the aprons to the legs with 2 1/2 inch pocket hole screws and wood glue. The top apron should be flush with the top of the legs. The bottom apron should be 1 1/2 inches from the bottom.



3

Long Aprons

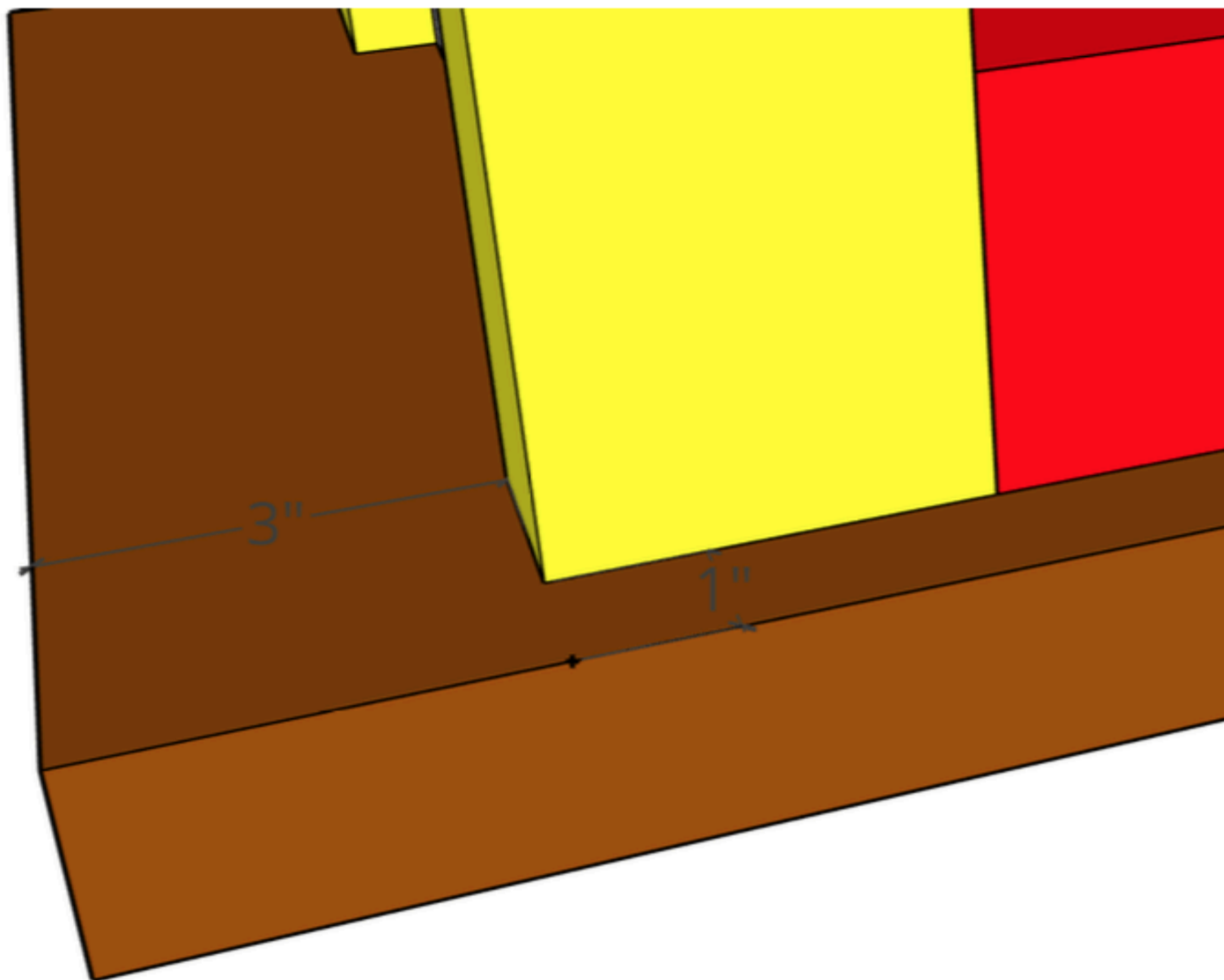
Cut the two longer aprons. Drill 1 1/2 inch pocket holes on the aprons and attach to the sides with 2 1/2 inch pocket hole screws and wood glue. Make sure the pocket holes to connect the top are facing in the correct direction.



4

Attach Top

Lay the frame of the bench on top of the bottom of the top. Center it, add wood glue and 2 1/2 inch pocket hole screws through the longer aprons.



5

Finish

FINISH! Sand and then apply a paint or stain to get the look you like. Share your build and use #berniesbuilds!