

Kitchen Drawer Divider

By **fcbecker**

Difficulty

Easy

Here is a simple plan for building kitchen drawer dividers. Keep your silverware, utensils and gadgets in neat order and easily found.



Tools

Kreg Tools



[Portable Crosscut](#)



[Wood Project Clamp - 6"](#)

Other Tools

Miter Saw

Table Saw

Tape Measure

Pin Nailer

Random Orbital Sander

Air Compressor

Materials

Wood Products

1 Plywood , 1/4" Thick , Quarter Sheet

1 Poplar , 1/2" X 5 1/2" , 48"

Hardware & Supplies

50 1" Pin Nails

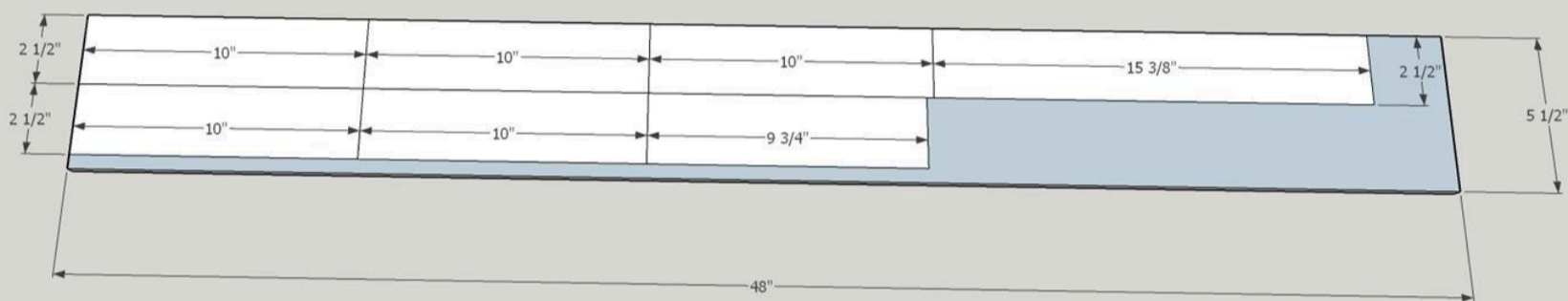
1 Titebond 1 Wood Glue

1 Minwax Polycrylic Satin Finish

3 Sandpaper 100 - 220 Grit

Cut List & Parts

- 1 Plywood Bottom , 1/4" X 15 3/8" X 20 1/4"
- 5 Front Dividers , 1/2" X 10" X 2 1/2"
- 1 Middle Divider , 1/2" X 15 3/8" X 2 1/2"
- 1 Back Divider , 1/2" X 9 3/4" X 2 1/2"



Directions

1**Introduction**

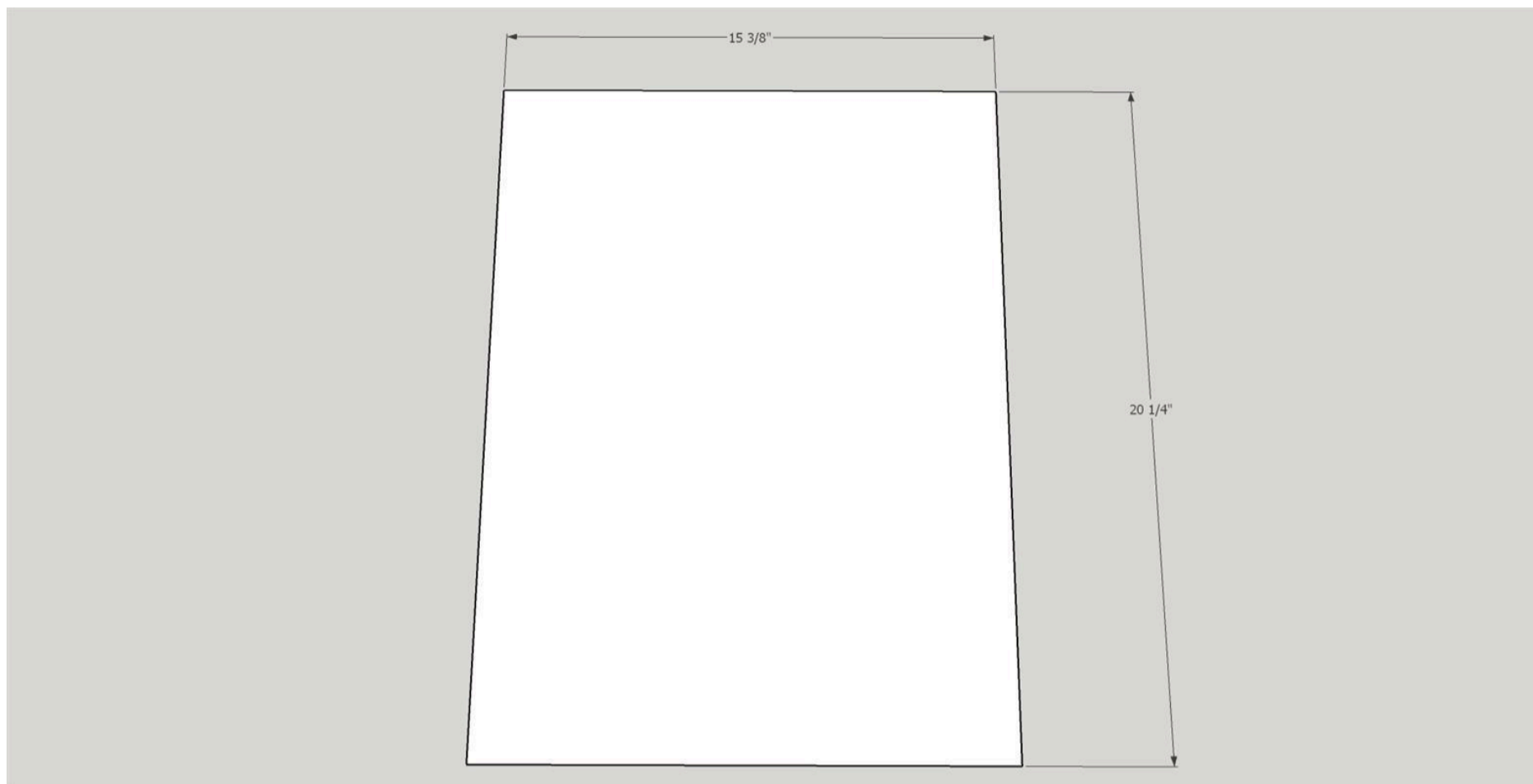
Please be sure to read through complete instructions before you begin any work on this project. My project design was based on a need for six silverware dividers and two larger dividers for baby/toddler utensils and chopsticks/plastic ware. You can modify the plan to fit your needs.



2

Measure inside of your drawer

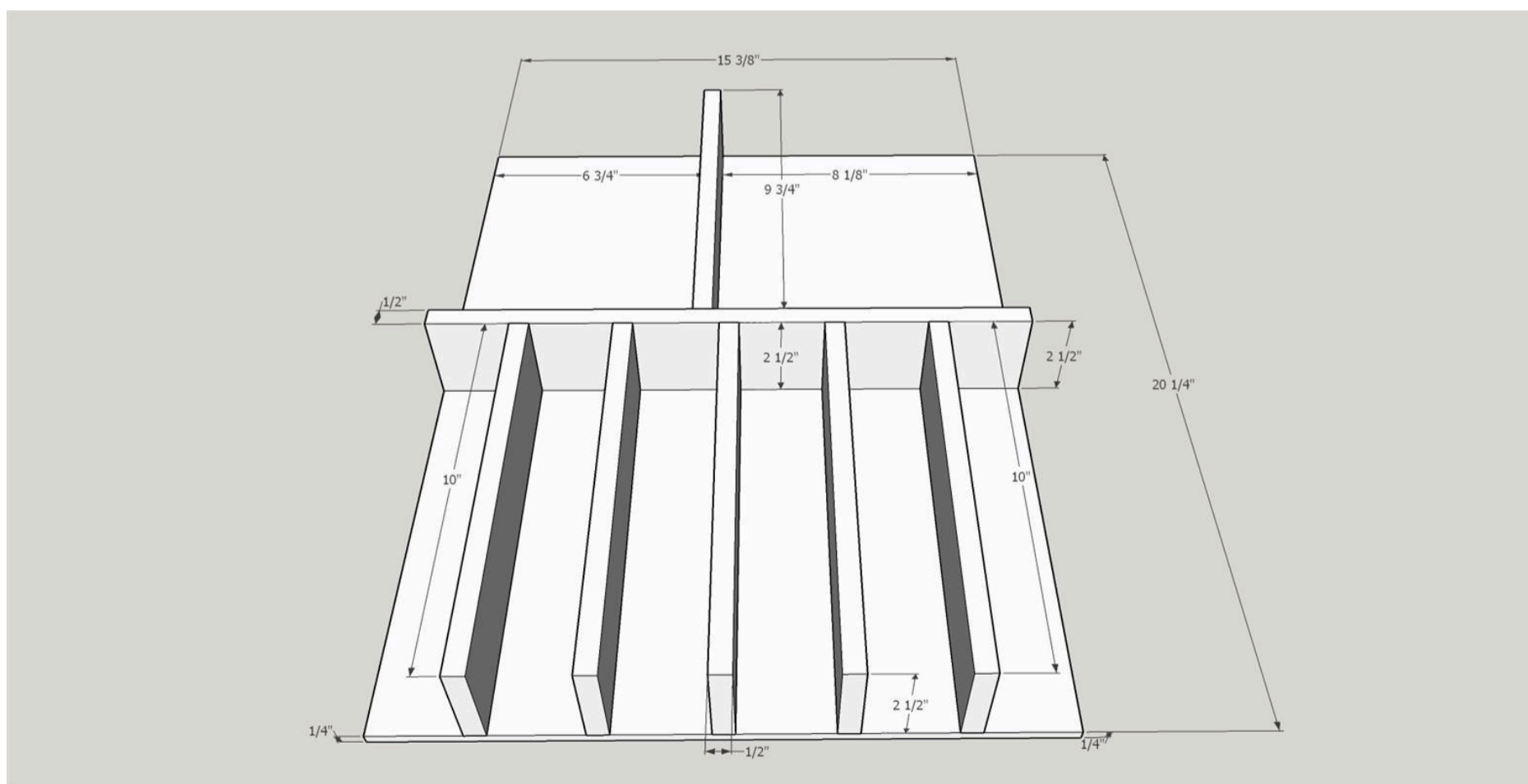
Measure the inside width (side to side), depth (front to back) and height (bottom to top) of your drawer. Cut the 1/4" plywood bottom slightly smaller (approx. 1/32") than the width and depth. My plywood bottom had a width of 15 3/8" and a depth of 20 1/4".



3

Plan and Cut your dividers

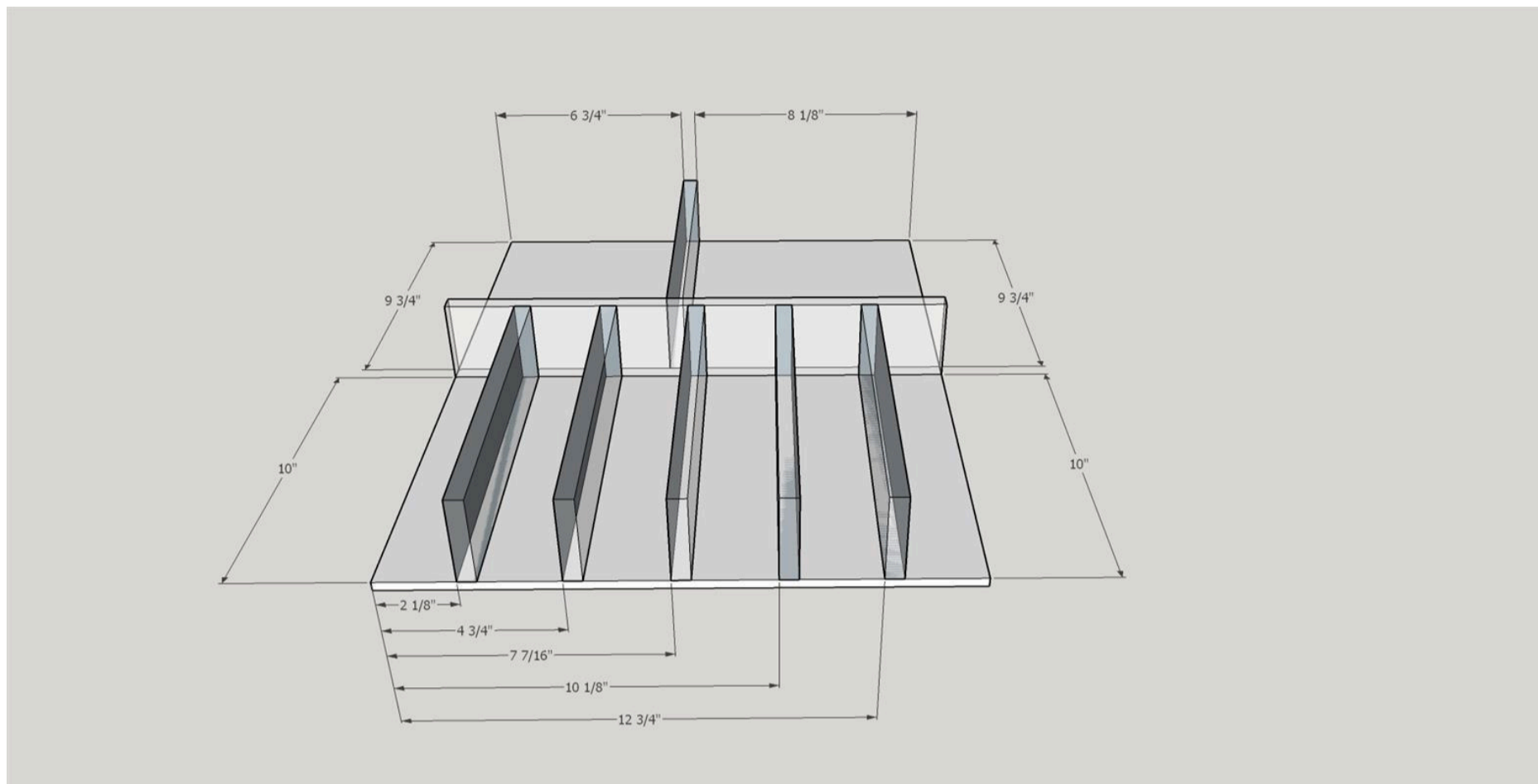
Using the inside drawer measurements, the number and size of dividers you need, plan the layout of your drawer divider insert. Keep in mind that you need to subtract 1/4" from the height of the dividers because of the thickness of the plywood bottom. I have attached my plan with dimensions. Once you have completed your plan cut all of the dividers to size. I used 1/2" poplar.



4

Prepare bottom and dividers

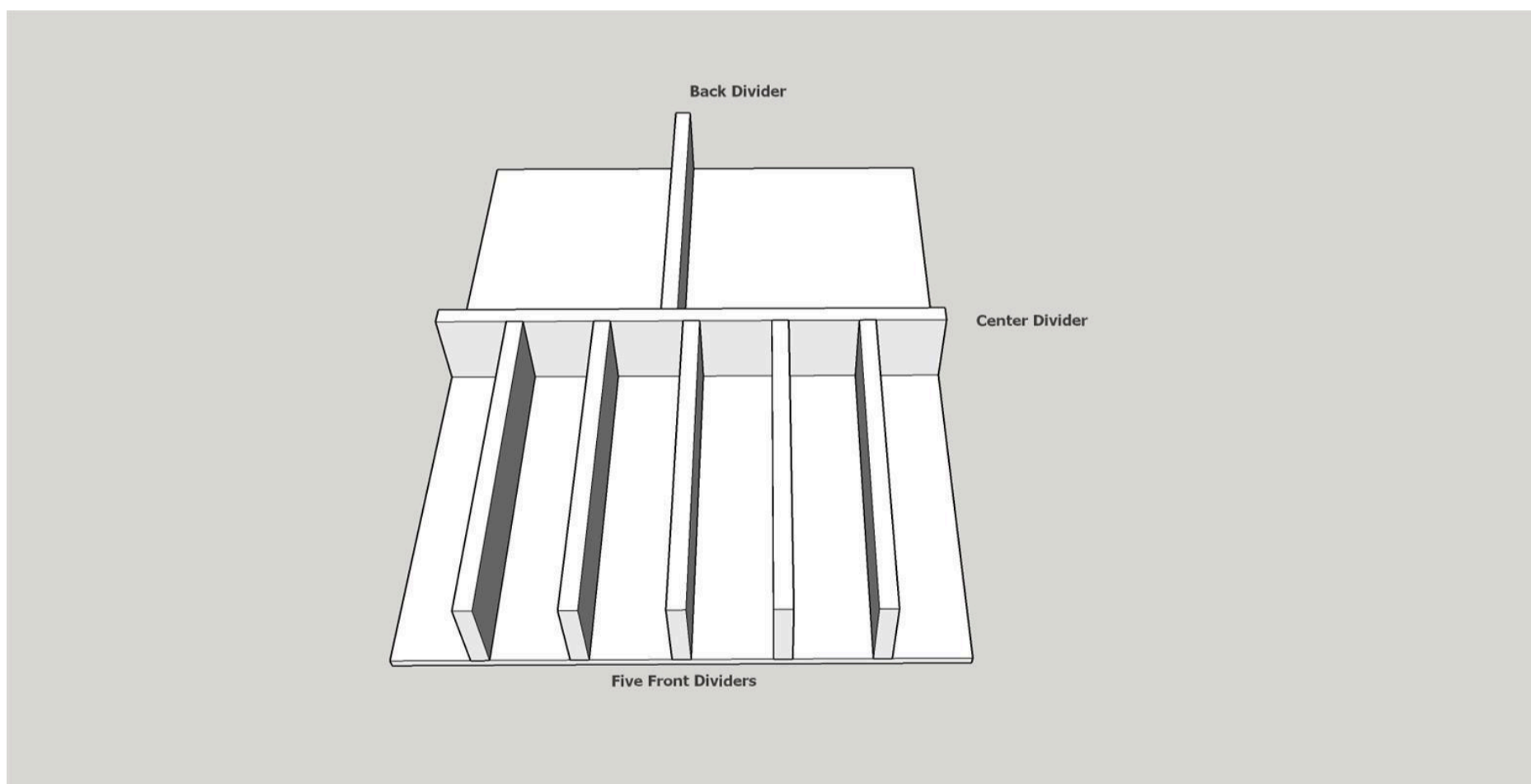
Use 100 - 180 grit sandpaper to smooth all of the dividers and the bottom. Using your design layout measure and mark the position of the dividers on the plywood bottom. See attached example from my project.



5

Attach the dividers

Use Titebond I wood glue and 1" pin nails to attach the dividers. I started with the center divider, added the five front dividers and finally the back divider. Fill any holes or defects with wood filler.



6**Finish**

Now that the build is complete use 220 sandpaper to do a once over on all surfaces in preparation for the finish. Clean well to remove all dust. (I use compressed air and clean dry rags) I did not use a stain, just finished with Minwax Polycrylic Satin finish. I gave the drawer divider three coats following manufacturers instructions.

