

DIY Upholstered Storage Bench

By **Woodshop Diaries**

Difficulty

Advanced

This DIY upholstered storage bench is perfect for adding storage to the end of the bed and also makes a nice place to sit and put on shoes before leaving the house. The simple design is easy to build from a single plywood sheet. For storage and style, this is the build you're looking for!



Tools

Kreg Tools



Rip-Cut™



Kreg® Pocket-Hole Jig 720

Other Tools

Circular Saw (cordless)

Jigsaw

Miter Saw

Square

Tape Measure

Clamps

Drill (cordless)

Stapler

Sander

Materials

Wood Products

1 Plywood , 3/4" Thick , Full Sheet

Hardware & Supplies

42 1 1/4" Pocket Hole Screws

2 Hinges

2 Chest Lid Supports (Optional)

8 2" Wood Screws

1 2" Foam For Seat

1 Package Batting

1 Fabric For Upholstery

1 Package 9/16" Staples For Upholstery

Cut List & Parts

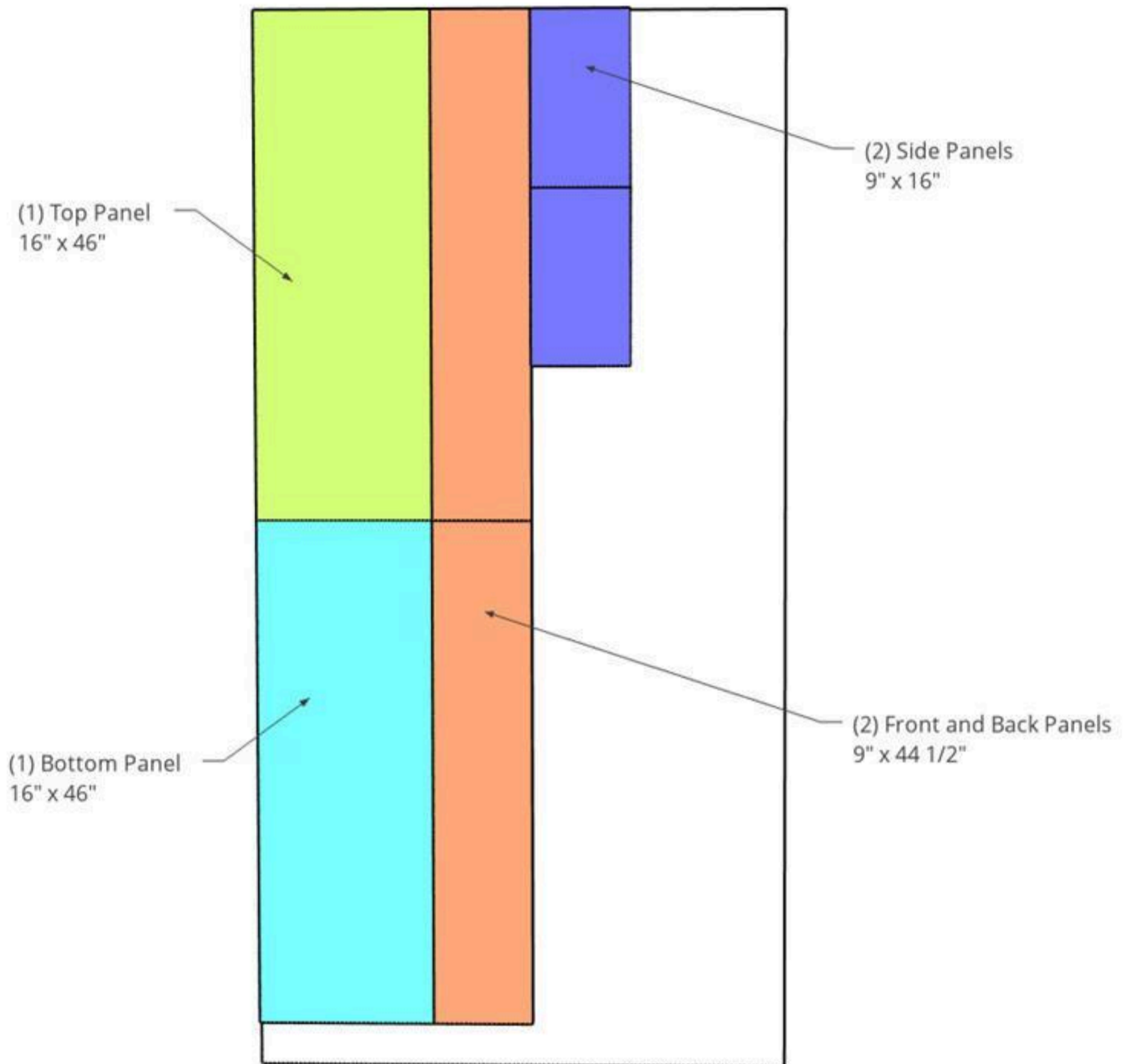
- 1 Top Panel , 3/4" X 16" X 46"
- 1 Bottom Panel , 3/4" X 16" X 46"
- 2 Front & Back Panels , 3/4" X 9" X 44 1/2"
- 2 Side Panels , 3/4" X 9" X 16"
- 2 Long Frame Pieces , 3/4" X 2 1/2" X 46"
- 2 Short Frame Pieces , 3/4" X 2 1/2" X 11"
- 4 Legs , 3/4" Thick (See Template In Plans)

Directions

1

Cut Down Plywood Sheet

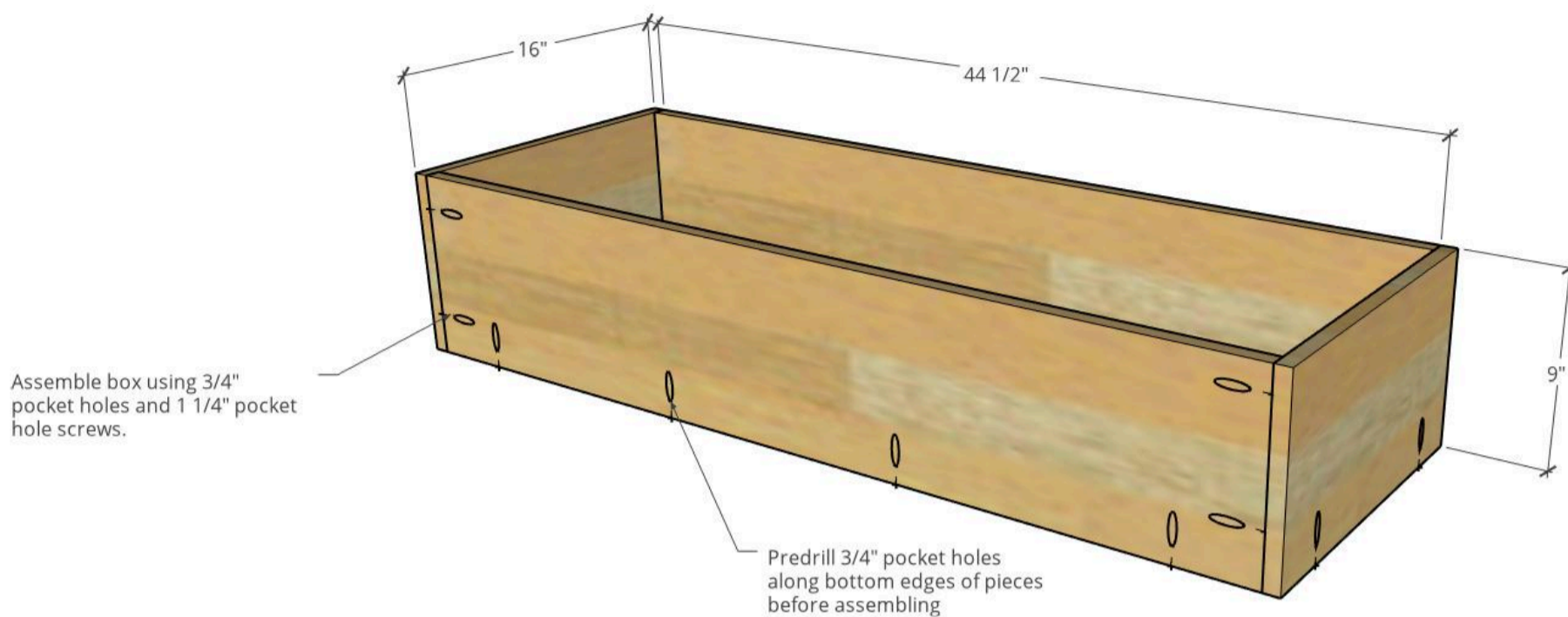
Using a circular saw and Kreg Rip Cut (or straight edge), cut a 16" wide plywood strip and two 9" wide plywood strips from your 3/4" plywood sheet. Then, using either a circular saw or miter saw, cut two 16" x 46" pieces to use for the top and bottom panels, two 9" x 44 1/2" pieces to use as the front and back panels and two 9" x 16" pieces to use for the sides. Save the remaining plywood to use for the base later.



2

Assemble Bench Box

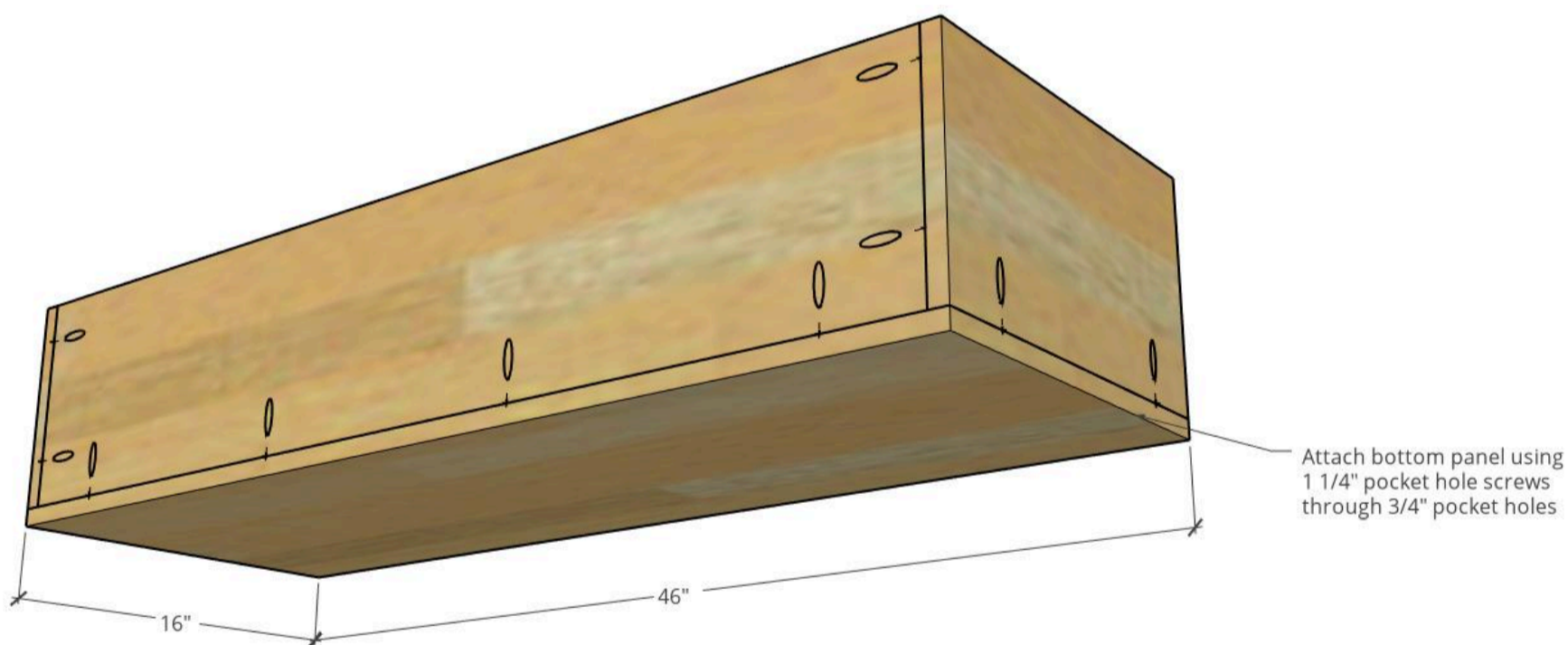
Drill 3/4" pocket holes along the bottom edges of all the box pieces and along the ends of the front and back box pieces, then assemble box together using 1 1/4" pocket hole screws.



3

Attach Bottom

Then, screw this box onto the bottom panel using 1 1/4" pocket hole screws.



4**Upholster Seat**

Cut 2" foam to fit on seat top and attach using spray adhesive. Cover in batting and staple in place on underside of seat. For more upholstery details, check out the video and tutorial links in the extras tab of this plan.

**5****Upholster Bench Box**

Staple batting onto top edge of bench box and wrap around the sides. Overlap the bottom corner and staple in place on bottom side of bench. Cover 4 sides of plywood box with batting. For more upholstery details, check the links in the extras tab of this plan.



6

Cover with Fabric

Repeat steps 4 & 5 with fabric of your choice making sure to completely cover all the batting. For more details on upholstery, check out the links in the extras tab of this plan.



7

Attach Top

Attach top of bench to bench box using either a 30" piano hinge OR two small cabinet hinges. If desired, install lid supports or soft close mechanisms.

Attach top to box using piano hinge or two cabinet hinges

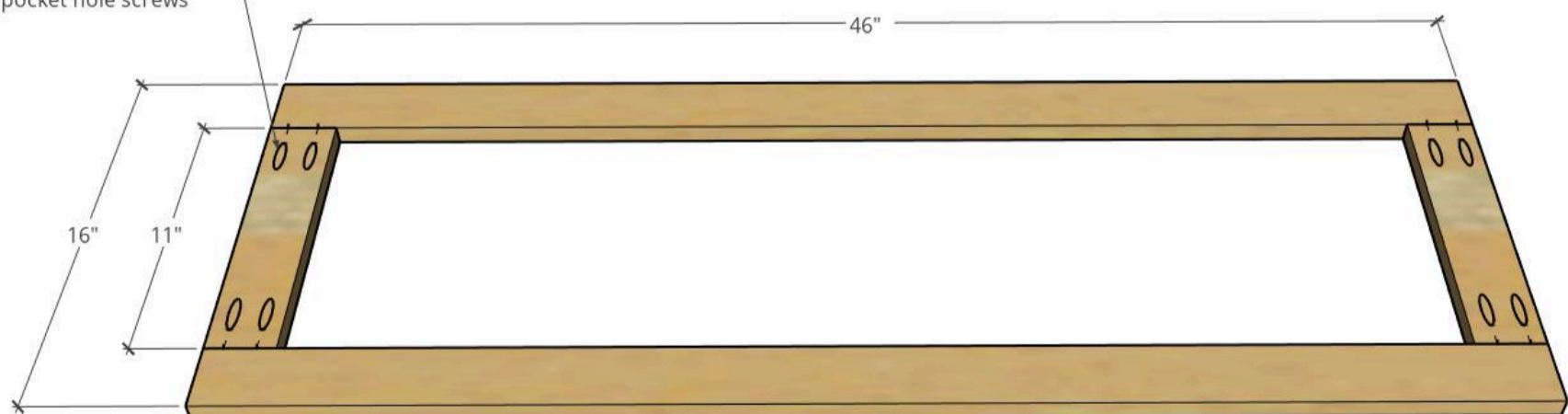


8

Build Base Frame

Cut two strips of plywood to 2 1/2" wide (OR use 1x3s for this), then cut two pieces 46" long and two pieces 11" long. Drill 3/4" pocket holes on the ends of the 11" pieces and assemble a frame like shown using 1 1/4" pocket hole screws. Apply edge banding to cover the exposed edges if desired.

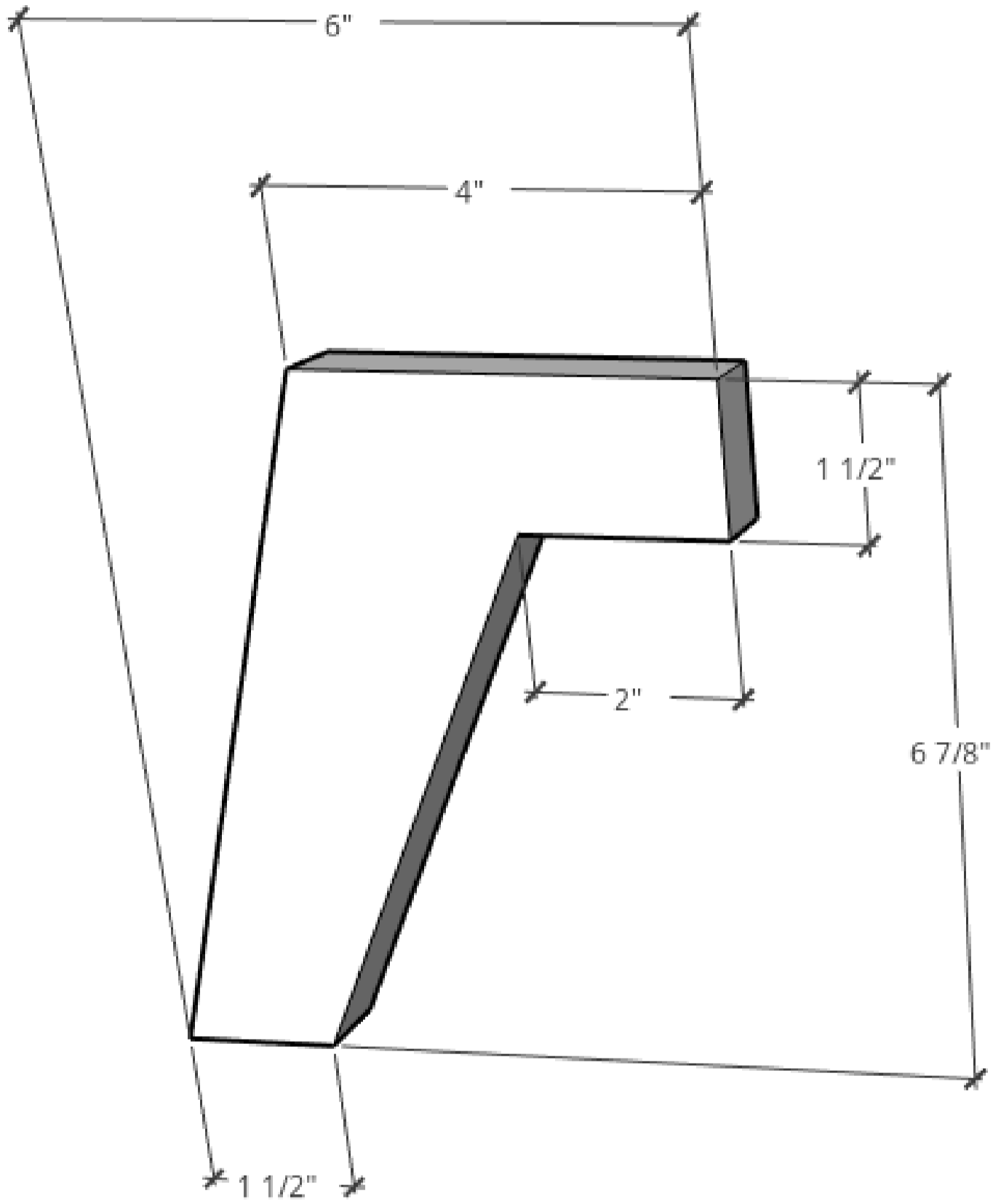
Assemble 1x3 frame with 3/4" pocket holes and 1 1/4" pocket hole screws



9

Cut Legs

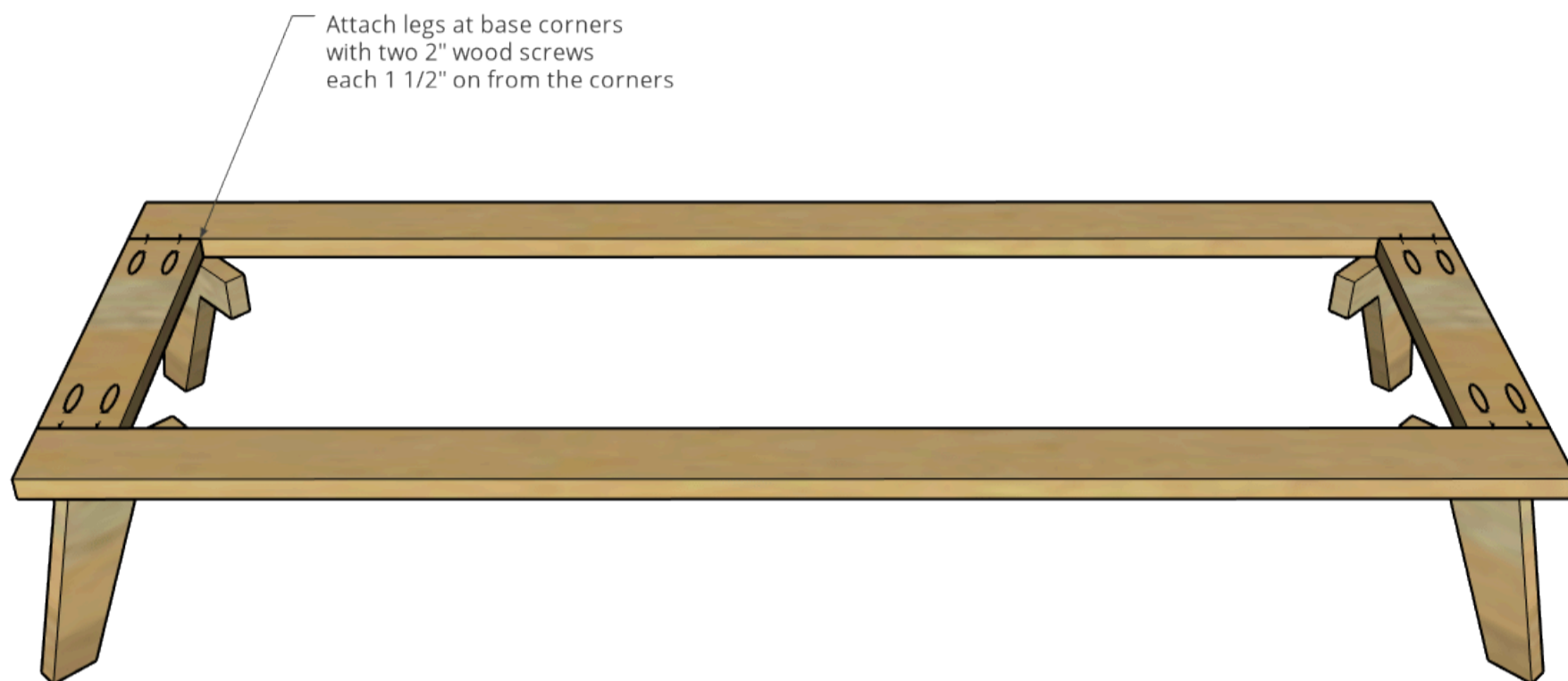
Cut four legs like shown from either the remaining sheet of plywood OR 1x material of your choosing using a jig saw.



10

Attach Legs to Base

Attach legs to base frame from step 8 using two 2" wood screws per leg. Install so that each leg is approx. 1 1/2" in from the corner and is angled 45 degrees.

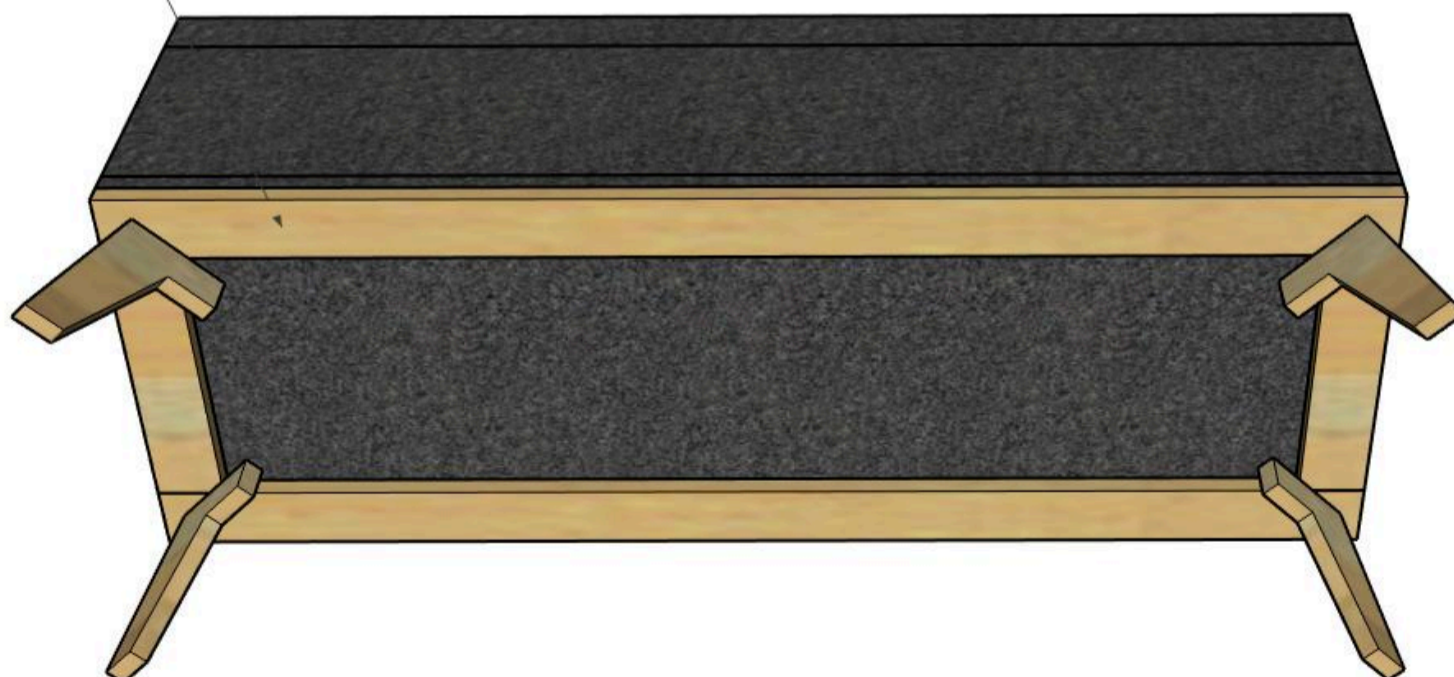


11

Attach Base to Bench

Flip bench upside down and install base onto bottom side using 1 1/4" wood screws. Use three on the long side and 1-2 on the short ends.

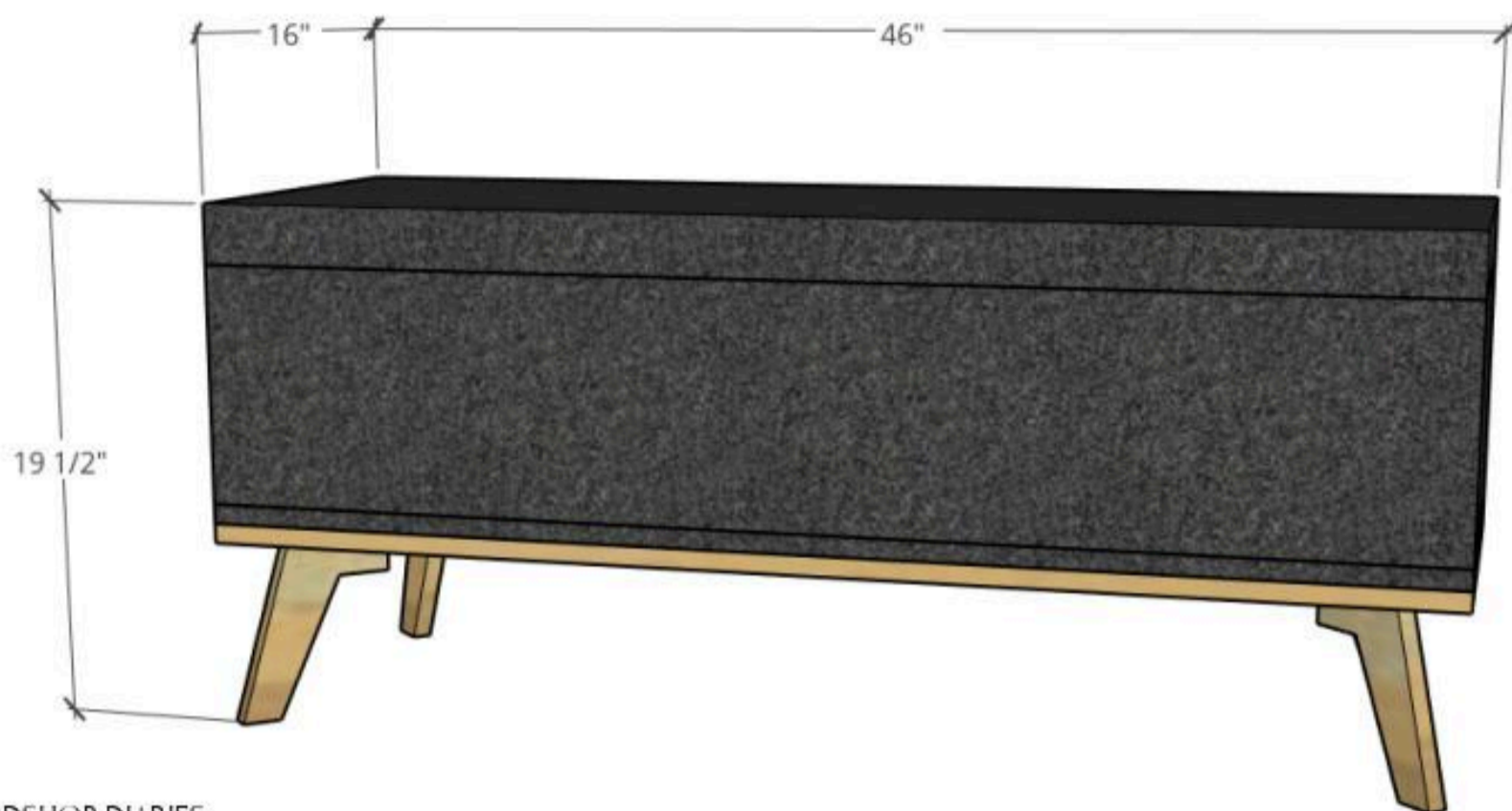
Use 1 1/4" wood screws to attach base to top box



12

Finish

Finish as desired. For tufted detail, check the links in the extras tab for details.



WOODSHOP DIARIES