

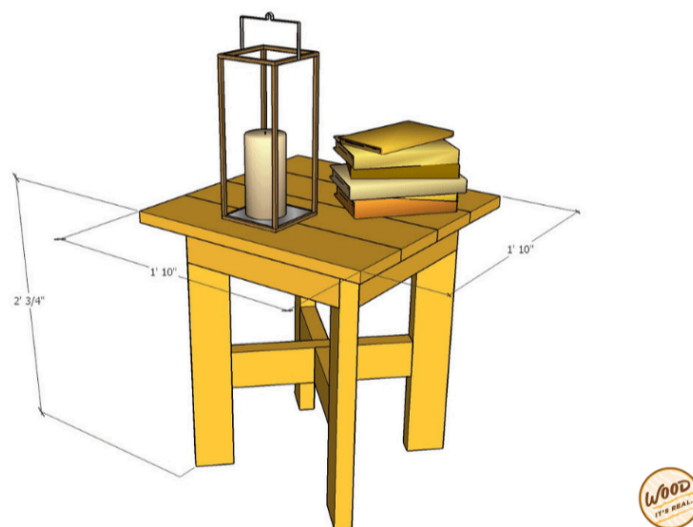
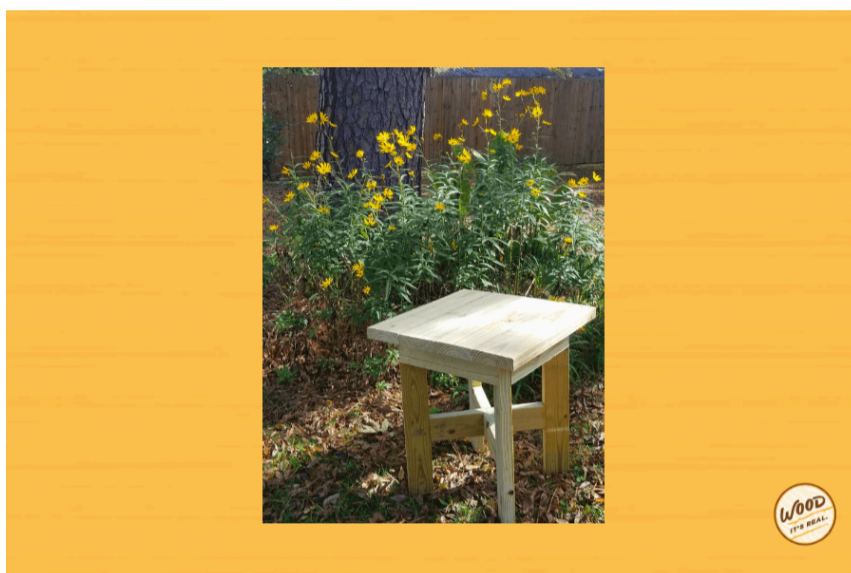
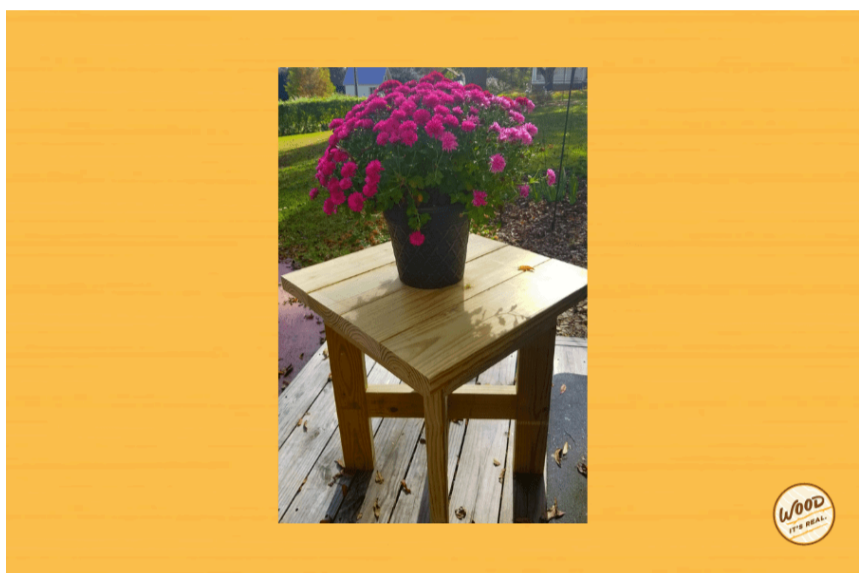
Awesome Little Side Table

By **Wood. It's Real.**

Difficulty

Easy

A little side table with a big impact. This project is a great one for a novice builder. You'll go from a small pile of pressure treated lumber to a neat table in a few hours.



Tools

Other Tools

Miter Saw

Table Saw

Tape Measure

Clamps

Drill (corded)

Hammer

Sander

Materials

Wood Products

3 Board , 2x4 , 96"

1 Board , 2x6 , 96"

Hardware & Supplies

1 Wood Glue

1 Decking Screws

1 Finishing Nails

Cut List & Parts

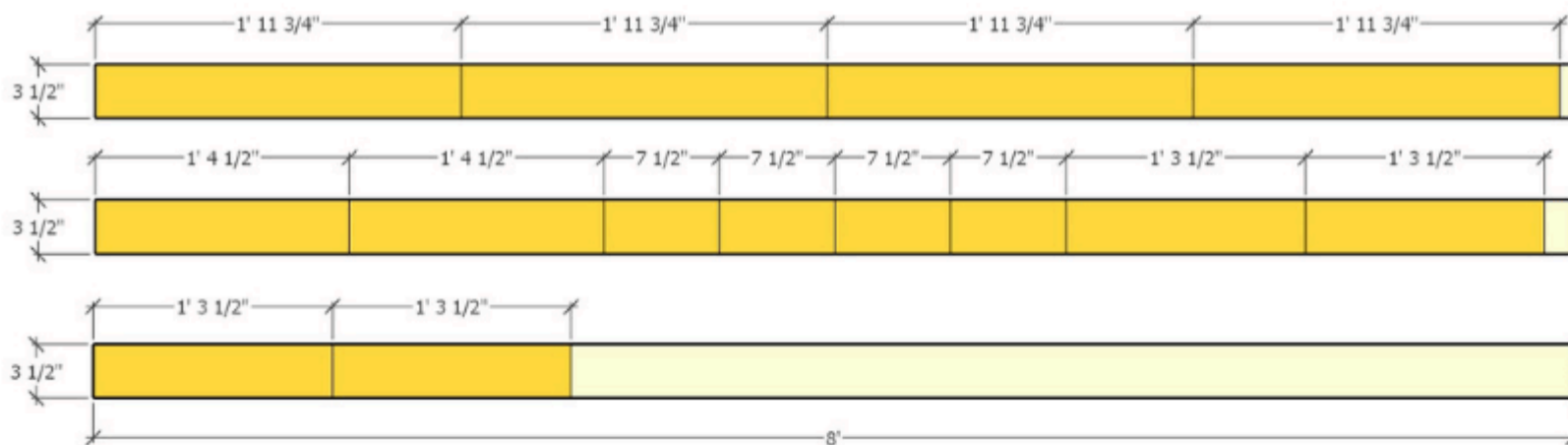
3 Boards, 2x6

3 Boards, 2x4

Legs, Stretchers, and Rails

***Note... Actual dimensions are 1 1/2" x 3 1/2". This is referred to as a 2x4 at lumber stores

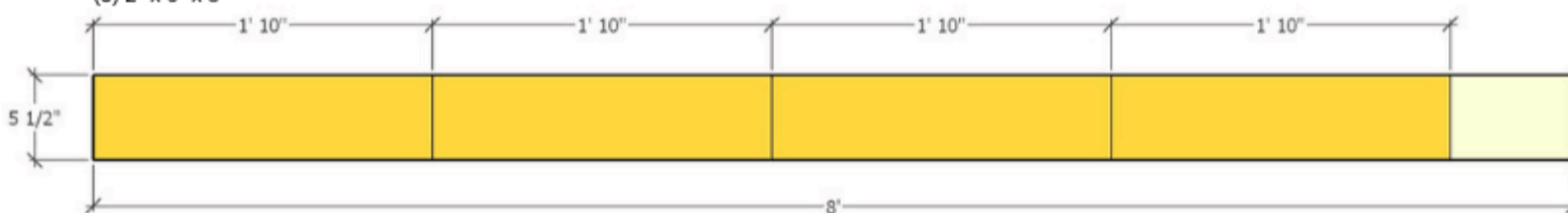
(3) 2" x 4" x 8'



Legs, Stretchers, and Rails

***Note... Actual dimensions are 1 1/2" x 5 1/2". This is referred to as a 2x6 at lumber stores

(3) 2" x 6" x 8'

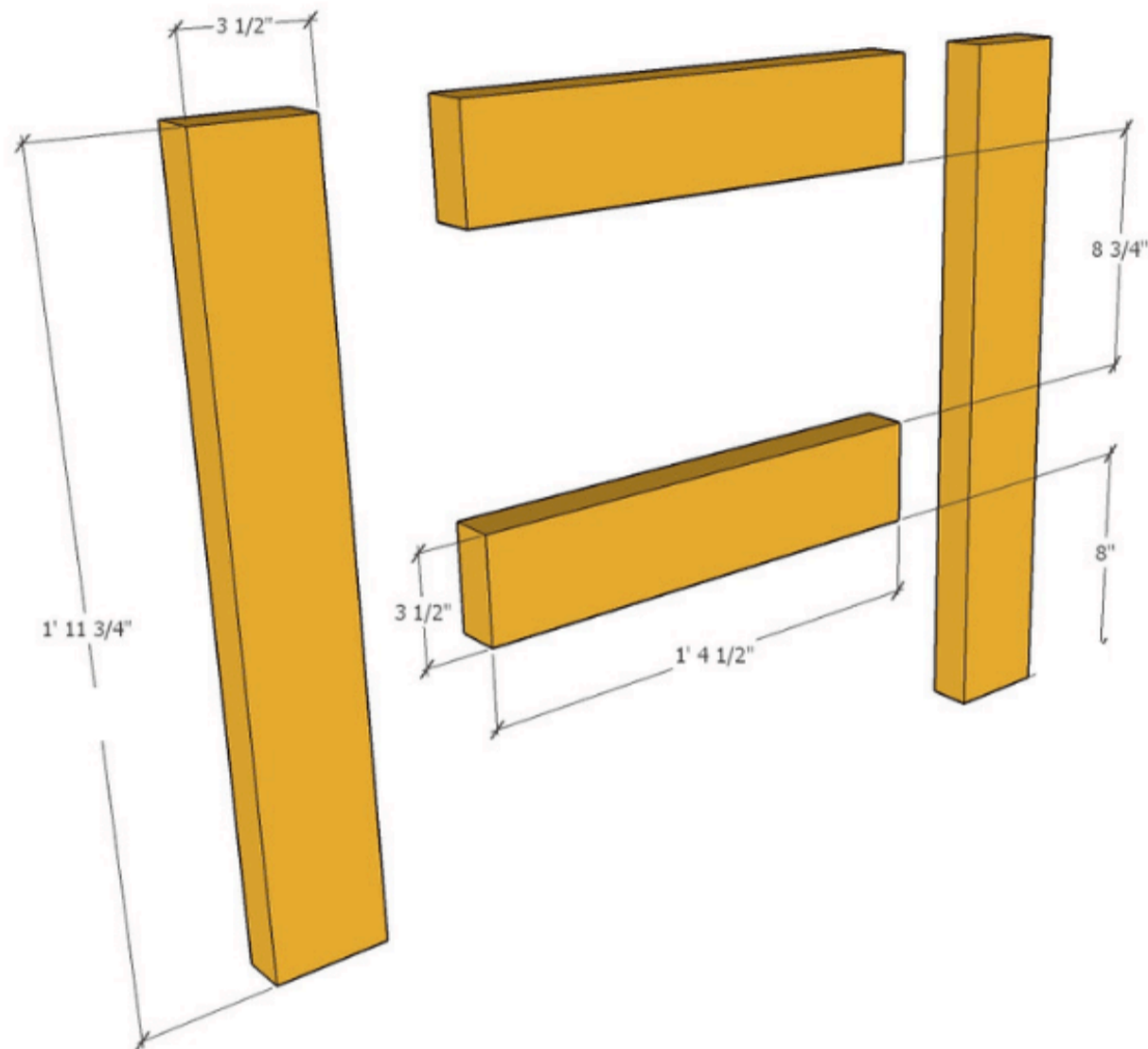


Directions

1

Build the Main Frame

1. Join the two long (1' 4.5") stretchers to two legs using wood glue, biscuits if you'd like, and a fastener of your choice (either deck screws or finishing nails).
2. Clamp the parts together while assembling to keep everything flat and easy to manage.



Join the (2) long stretchers to (2) legs using glue and fasteners. Clamp the parts together while assembling to keep everything flat and easy to manage

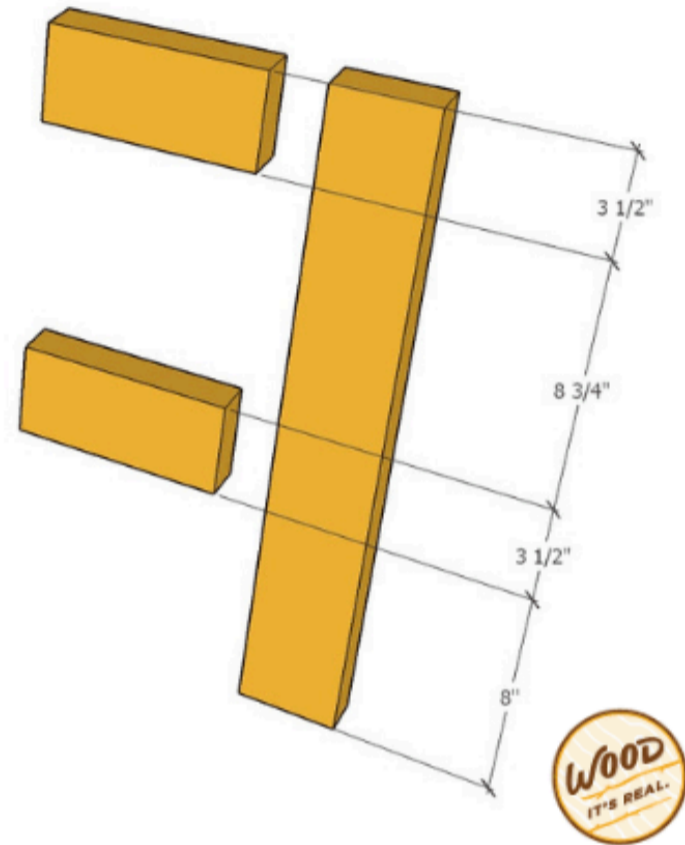
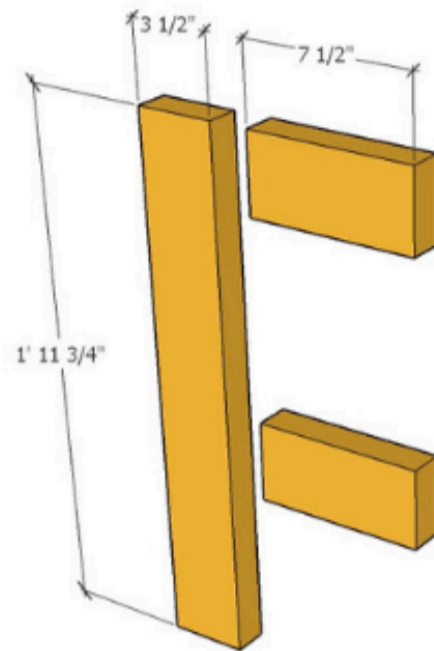


2

Build Secondary Base Frame

1. Join the remaining two legs to the four short (7.5") stretchers with wood glue and decking screws.
2. Clamp the subassemblies together to keep the parts together.

Join the remaining (2) legs to the (4) short stretchers. This should make two leg sub-assemblies. Clamp the parts if necessary, and attach with glue and your fastener of choice.

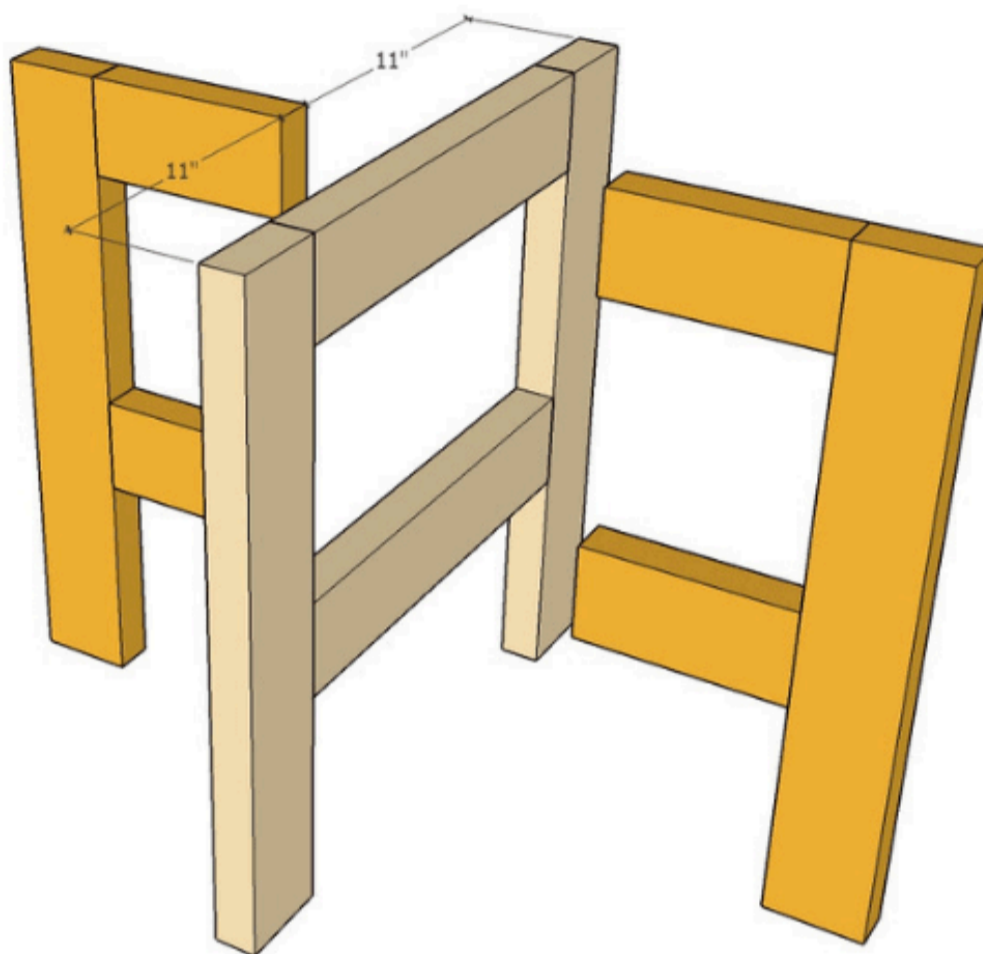


3

Build Base with Frame Assemblies

1. Center the two leg subassemblies on the original leg assembly.
2. Join these parts together with glue and decking screws.

Center the two leg subassemblies on the original leg assembly. Join these parts together with glue and fasteners. Clamp the parts together if necessary.



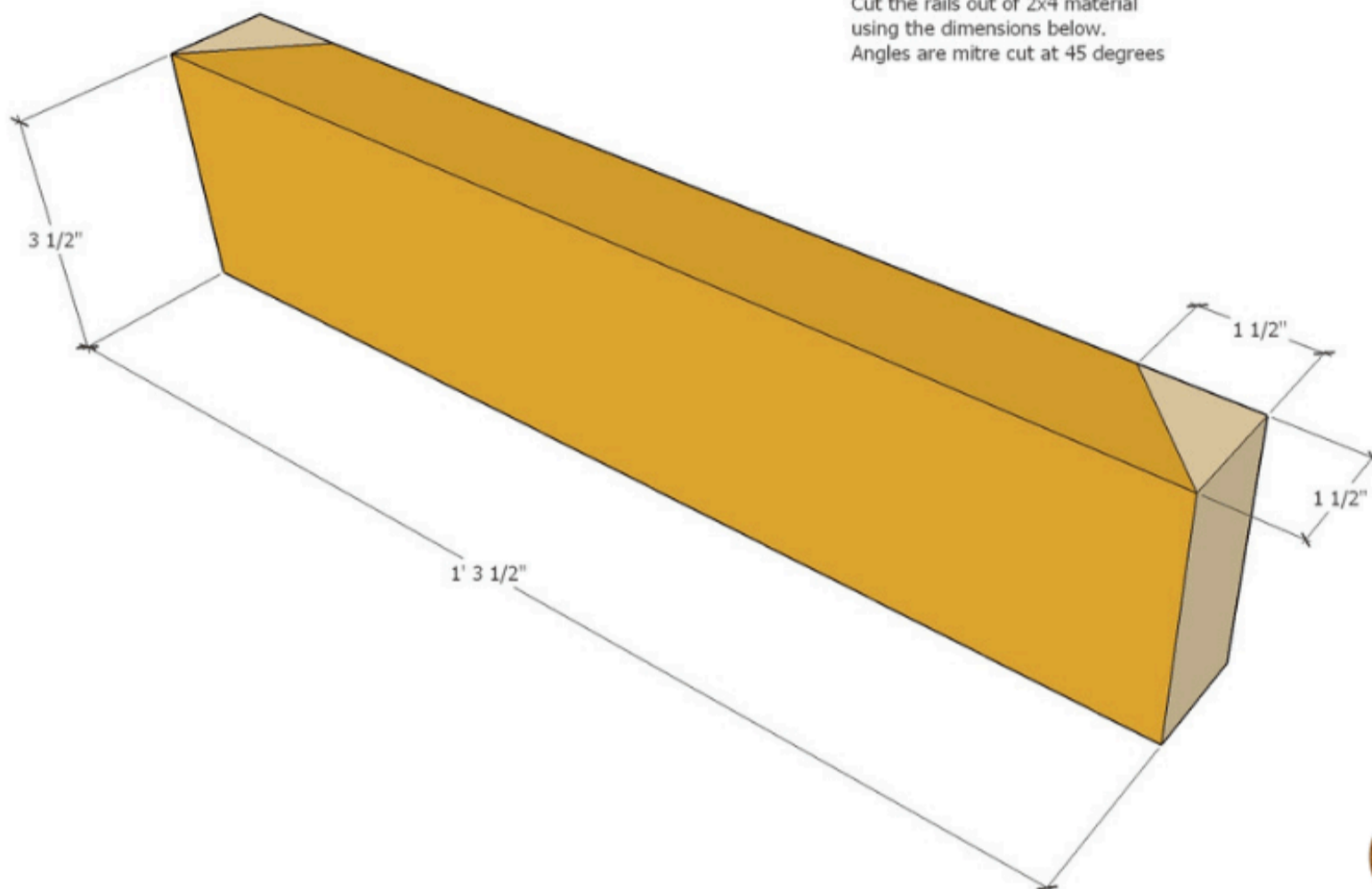
4

Cut the Table Top Rail Pieces

1. Cut the table top rail pieces, with a 45-degree angle at both ends, as indicated above.
2. Prep a total of 4 pieces.

Rails (4):

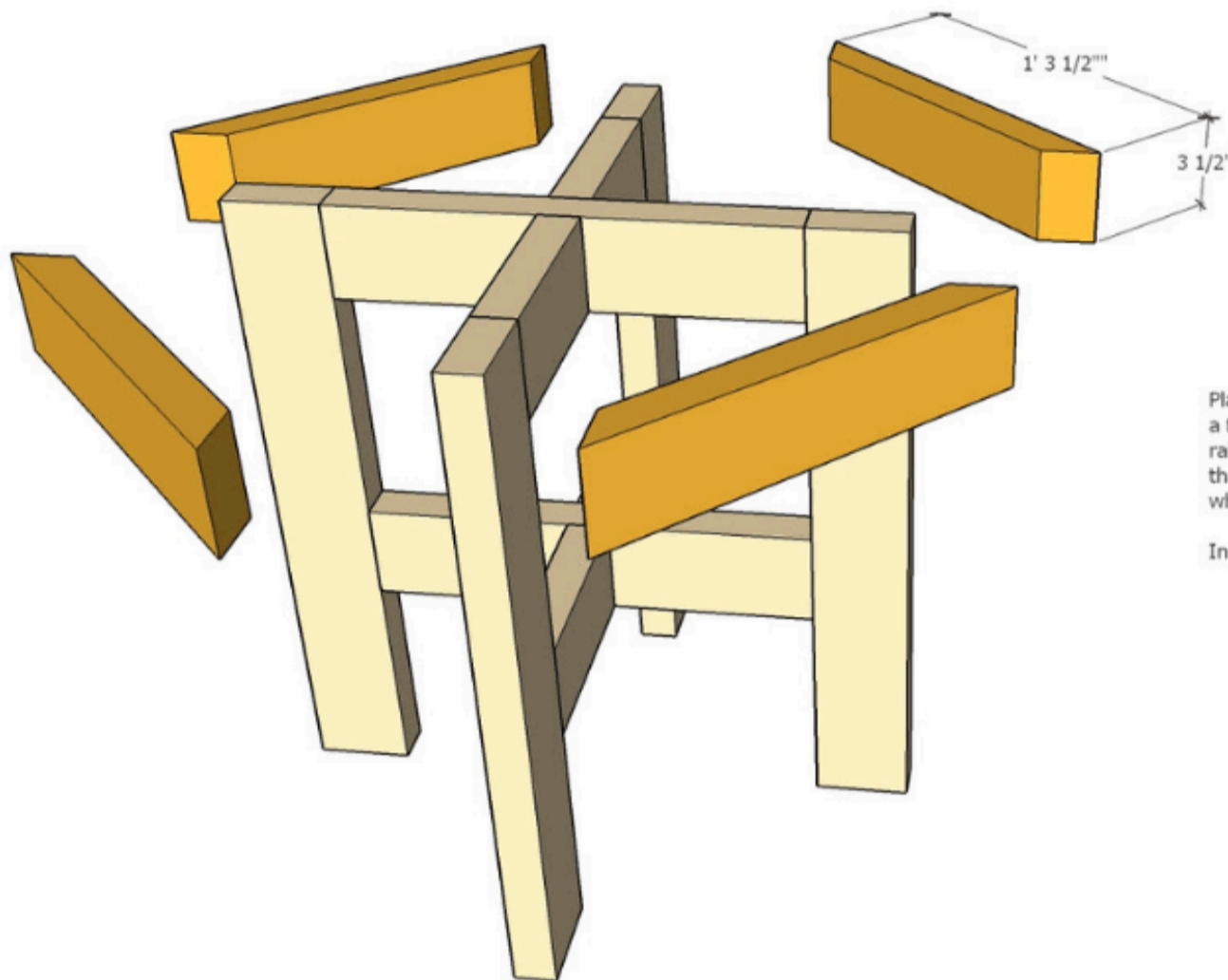
Cut the rails out of 2x4 material using the dimensions below. Angles are mitre cut at 45 degrees



5

Attach Table Top Rail Pieces

- 1.) Cut the table top rail pieces, with a 45-degree angle at both ends, as indicated above.
- 2.) Prep a total of 4 pieces.



Place the leg assemblies upside down on a flat surface to assist with attaching the rails. Check the fit of all parts and confirm that everything is square. This is the point where any inconsistencies should be corrected.

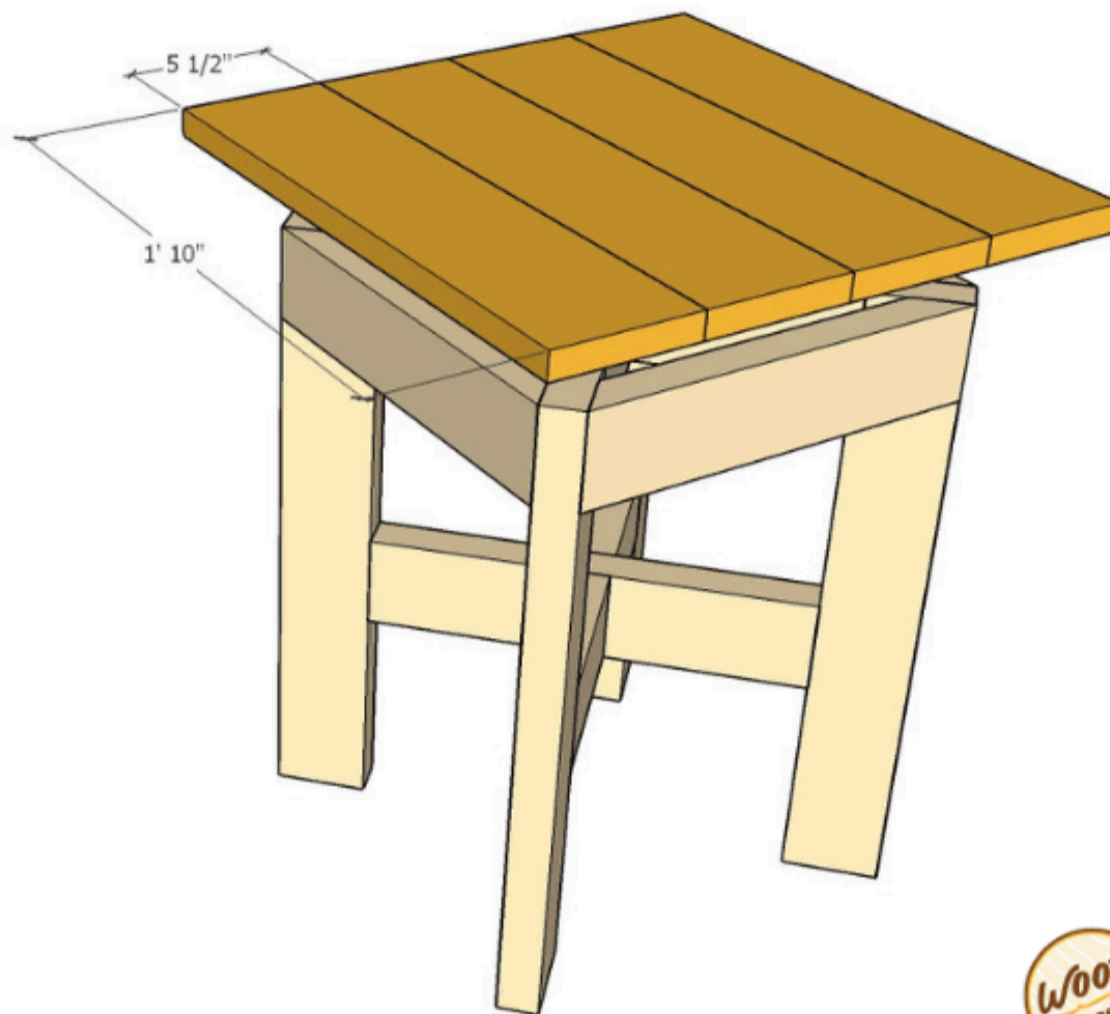
Install the rails using glue and fasteners.



6

Cut and Attach Top of Table

1. Lay four 1'10" boards for the top on a flat surface to get the most visually appealing configuration.
2. Start by attaching the middle two boards centered on the base, using wood glue and decking screws or finishing nails.



Lay the (4) boards for the top on a flat surface, trying various combinations to find the best configuration. Once a layout is established, start by attaching the middle (2) boards centered on the base. Attach the final (2) boards. These boards can be butted together or left with a slight gap in between for a lightened look and drainage in case of any spilled liquids



7**Sand, Stain, Enjoy**

- 1.) Sand any rough edges.
- 2.) Paint, stain, or seal as you'd like.
- 3.) Enjoy!

