

Shaker Toybox / Children's Work Table

By **The Reformation Woodshop**

Difficulty

Easy

Toyboxes are not typically associated with any class of high end furniture. I designed this shaker style toy box to change that! This maple storage solution doubles as a work table and can easily be converted into a coffee table once the kids have outgrown it!



Tools

Kreg Tools



[Kreg® Pocket-Hole Jig 720PRO](#)



[Zinc Pocket-Hole Screws](#)



[Zinc Pocket-Hole Screws](#)

Other Tools

Drill

Miter saw

Table saw

Sander

Router

16 Gauge Nail Gun

Materials

Wood Products

1 Maple Boards , 1x4

1 Maple Plywood , 3/4"

1 Birch Plywood , 1/2"

Hardware & Supplies

1 Box Of 2" Kreg Pocket Hole Screws (See Tools List)

1 Box Of 1 1/2" Kreg Pocket Hole Screws (See Tools List)

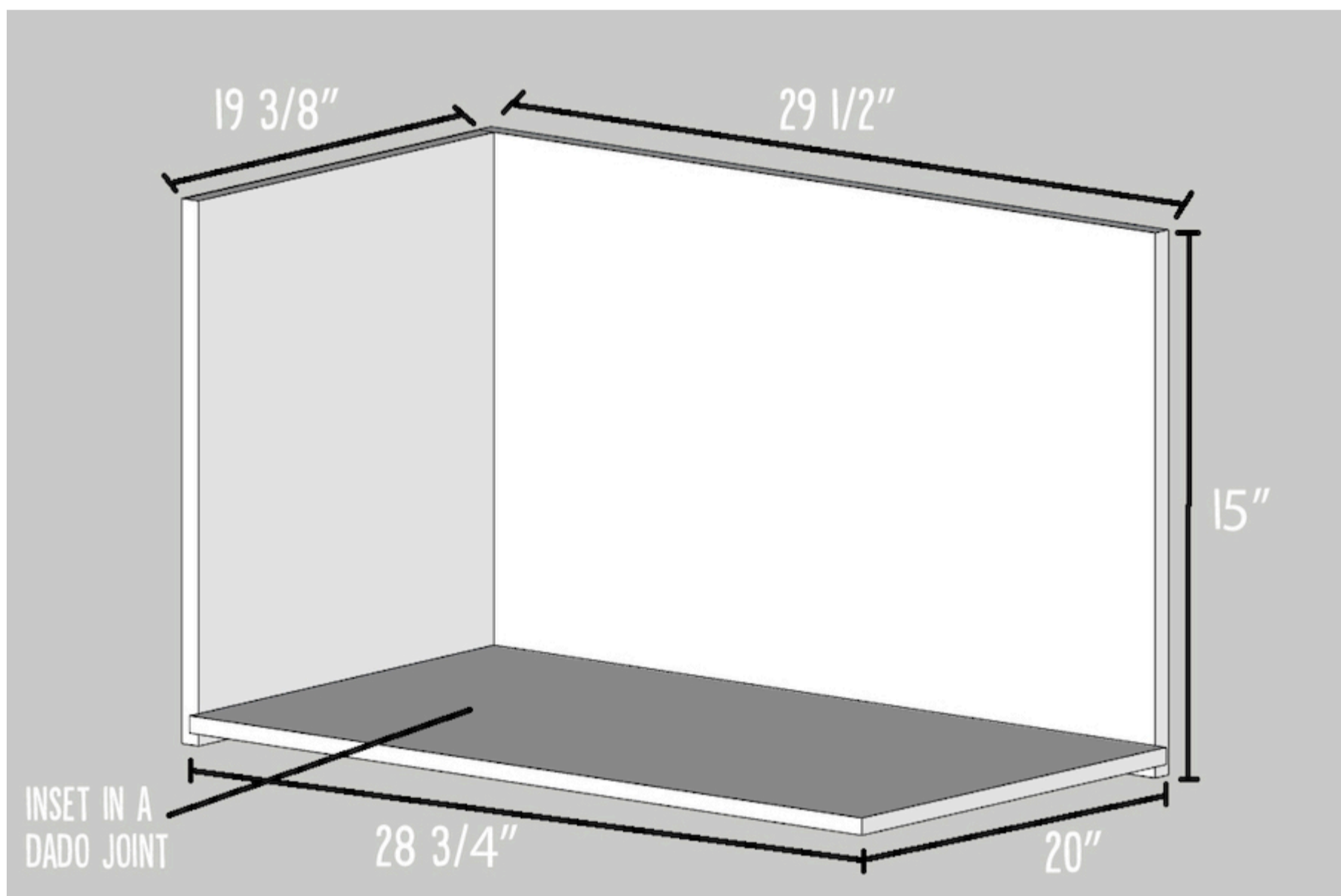
1 24" Piano Hinge Or A Set Of Soft Close Toy Box Hinges

1 Linseed Oil

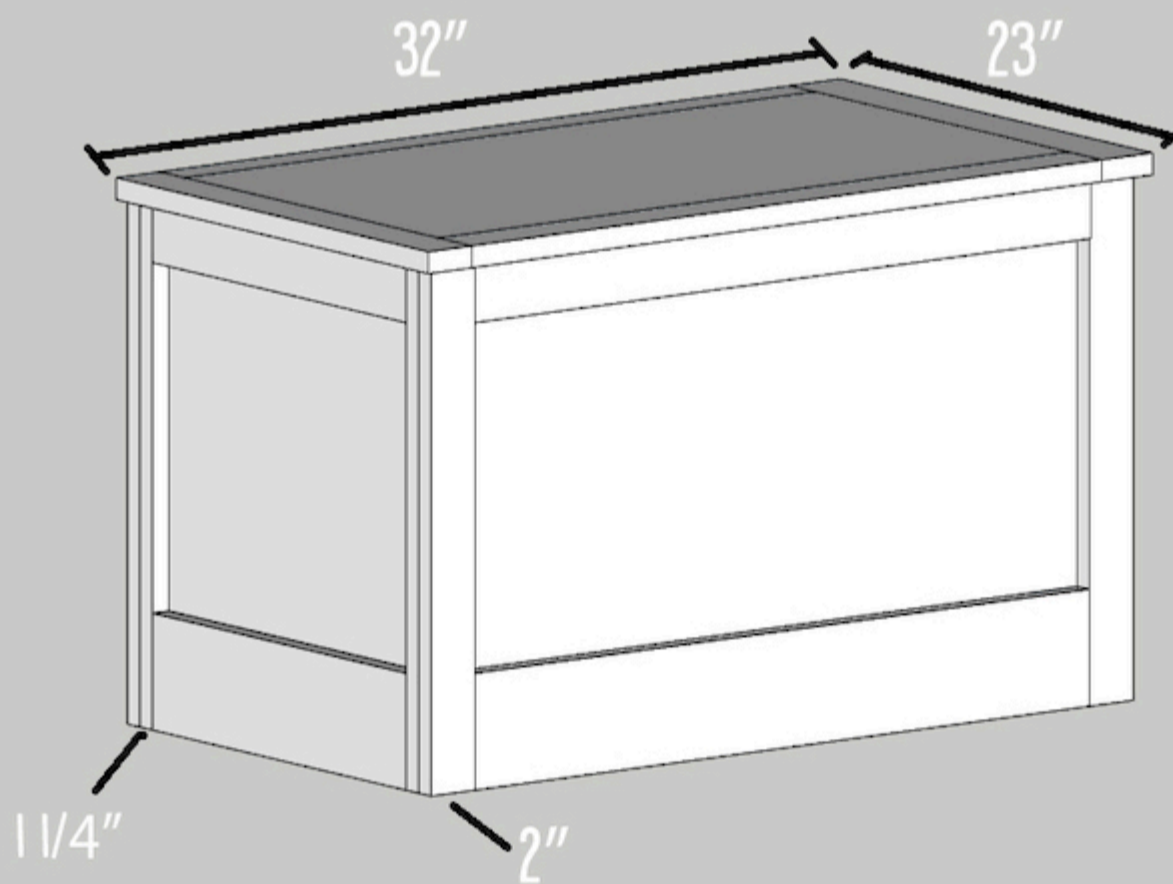
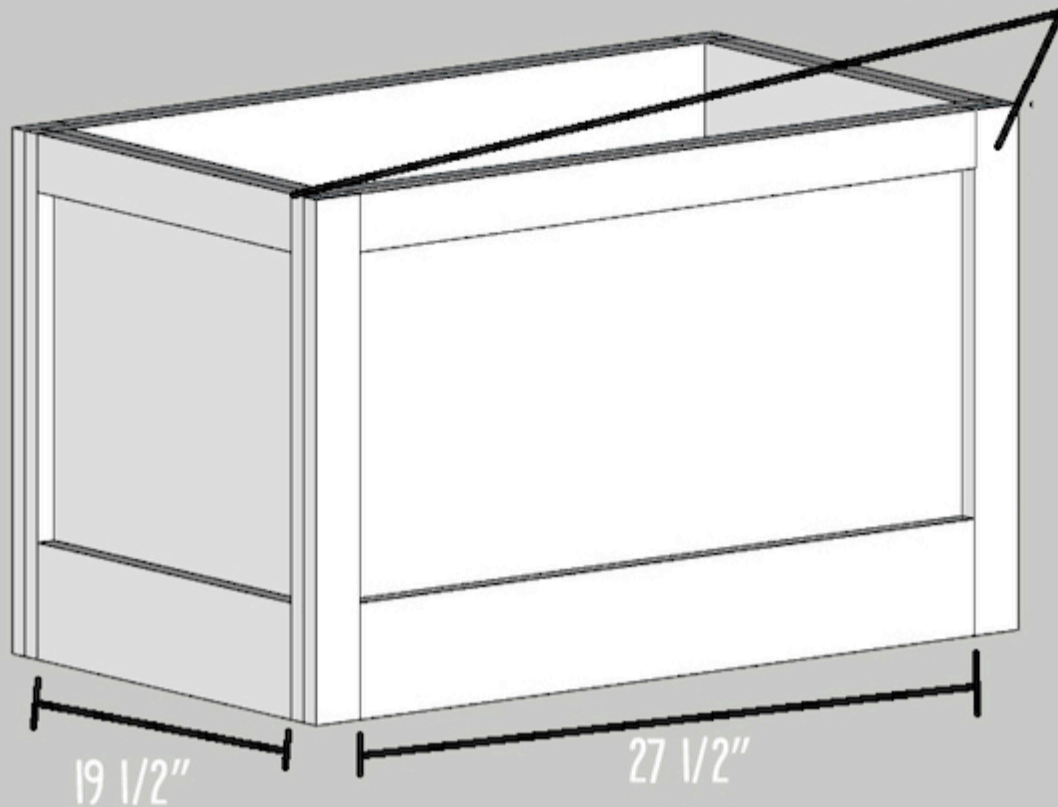
1 Wood Glue

Cut List & Parts

- 2 Maple Plywood- Body , 29 1/2" X 15"
- 2 Maple Plywood- Body , 19 3/8" X 15"
- 1 Birch Plywood To Be Inset As The Base Of The Toybox , 20" X 28 3/4"
- 4 Solid Maple To Make Up The Stiles On The Long Faces Of The Box , 2" X 15" X 3/4"
- 4 Solid Maple To Make Up The Stiles On The Short Faces Of The Box , 1 1/4" X 15" X 3/4"
- 2 Solid Maple To Make Up The Top Rails On The Short Faces Of The Box , 2" X 19 1/2" X 3/4"
- 2 Solid Maple To Make Up The Bottom Rails On The Short Faces Of The Box , 4" X 19 1/2" X 3/4"
- 2 Solid Maple To Make Up The Top Rails On The Long Faces Of The Box , 2" X 27 1/2" X 3/4"
- 2 Solid Maple To Make Up The Bottom Rails On The Long Faces Of The Box , 4" X 27 1/2" X 3/4"
- 2 Solid Maple To Make Up The Stiles Of The Lid , 2" X 23" X 3/4"
- 2 Solid Maple To Make Up The Rails Of The Lid , 2" X 28" X 3/4"
- 1 Maple Plywood To Be The Core Of The Lid , 28" X 18 7/8" X 3/4"



2" FRAME PIECES ON ALL SIDES. SHORT
FACES HAVE AN 1 1/4" STILE TO COMBINE
WITH THE OTHER FRAME TO MAKE 2"



Directions

1

Cut

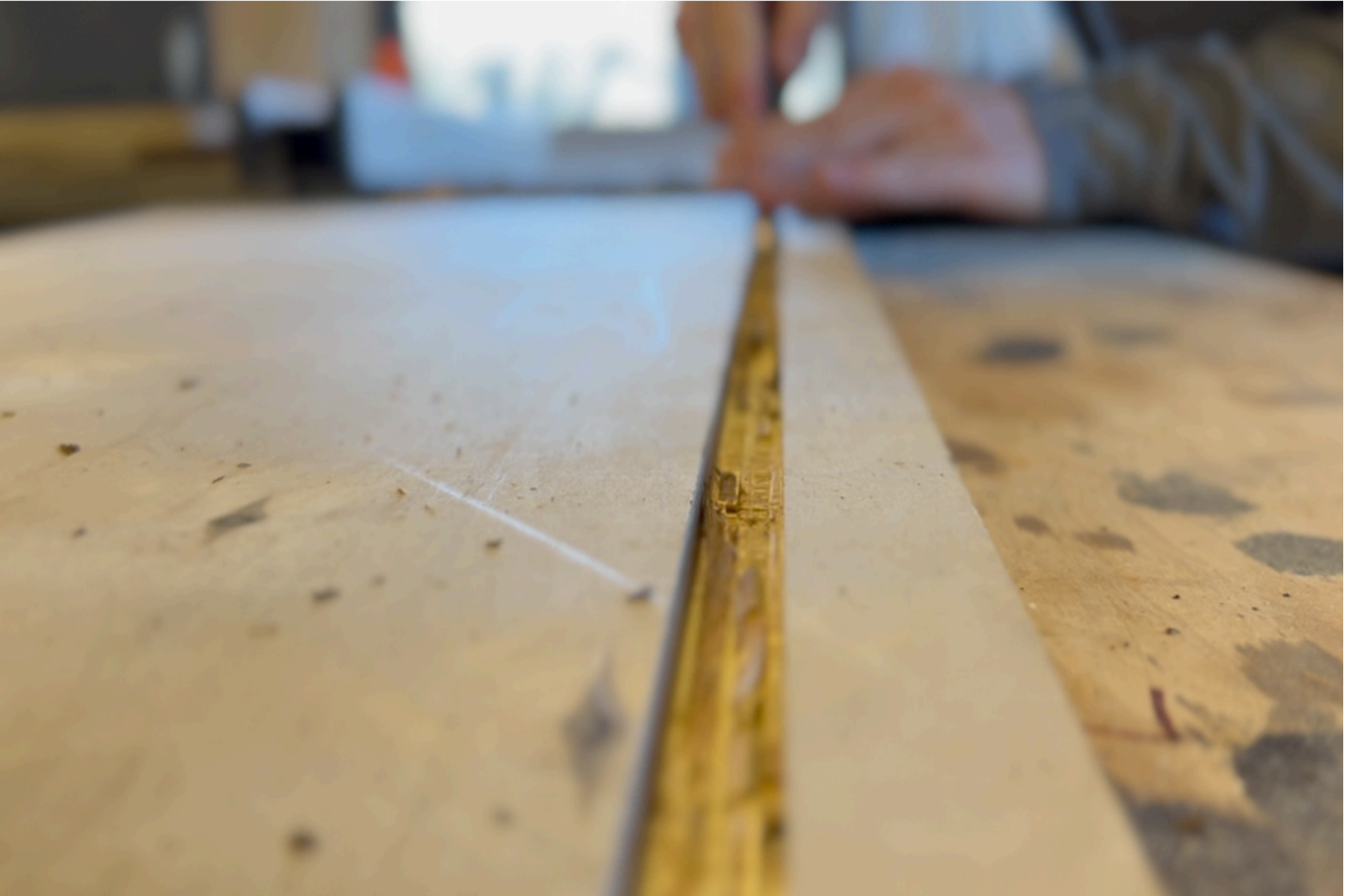
Cut the pieces that make up the body of the box.



2

Cut

Cut a rabbet in all of the pieces to fit a 1/2 bottom.



3

Join

Join all of the pieces together with pocket holes and glue.



4

Cut

Cut the frame pieces that will make up the panels on the box.



5

Screw

Pocket hole all of those pieces and join them together.



6

Glue

Glue and nail your panels to the faces of the box.



7**Build**

Construct the lid from the same material as the panels and secure a piece of 3/4" plywood in the center.



8

Attach hinge

Attach the lid to the toy box with a 24" piano hinge.

IMPORTANT: Remember to take precautions to ensure children's safety around the toy box. If children will have unsupervised access to the toy box, use soft close toy box hinges or struts instead of the piano hinge.



9

Create Groove

Use your router to create a finer groove in the lid.



10

Protection

Finish your toy box with a clear coat to protect it.



11

Clean

Clean up the floor!



12

Finished!

And get to work!

