

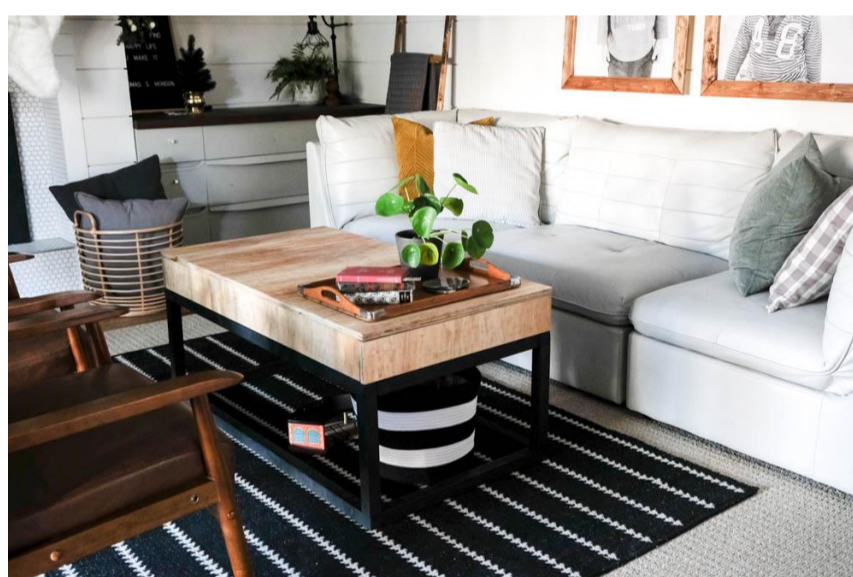
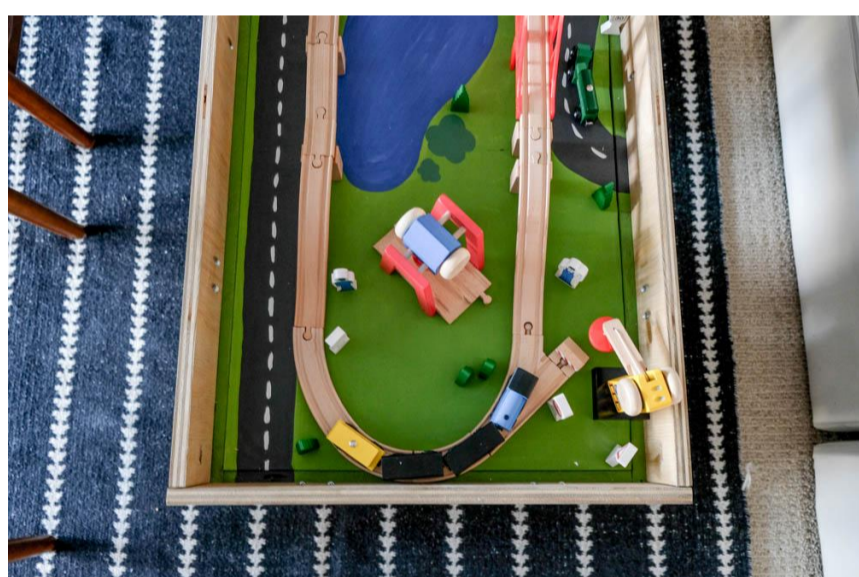
Coffee Table with Train Table/Storage

By **The Learner Observer**

Difficulty

Easy

In this plan you'll see how to build a coffee table with a simple, modern base and train table on top, which can also be used as storage. This can also be used without the storage above, but it makes a great place to store things like board games and other things not used daily.



Tools

Kreg Tools



Other Tools

Miter Saw

Table Saw

Tape Measure

Impact Driver

Materials

Wood Products

4 Board , 2x2 , 96"

2 Board , 1x2 , 96"

1 Plywood , 3/4" Thick , Full Sheet

Hardware & Supplies

30 1-1/4" Kreg Pocket Hole Screws

50 2-1/2" Kreg Pocket Hole Screws

1 Black Paint

1 Sanding Block - 60 Grit

1 Sanding Block - 120 Grit

1 Wood Stain In Colour Of Choice

18 1-1/2" Kreg Pocket Hole Screws

5 Small Craft Paintbrushes

1 Variety Of Acrylic Paints (I Used Light Green, Dark Green, Blue, Charcoal, And White)

Cut List & Parts

- 4 Base , 1-1/2" X 1-1/2" X 12"
- 4 Base , 1-1/2" X 1-1/2" X 45"
- 4 Base , 1-1/2" X 1-1/2" X 21"
- 3 Support , 1/2" X 1-1/2" X 21"
- 2 Lid Stopper , 1/2" X 1-1/2" X 44"
- 2 Tabletop Surround , 3/4" X 43-1/2" X 4"
- 2 Tabletop Surround , 3/4" X 24" X 4"
- 1 Tabletop , 3/4" X 45" X 24"
- 1 Train Table Base , 3/4" X 21" X 42"

Directions

1

Prepare base

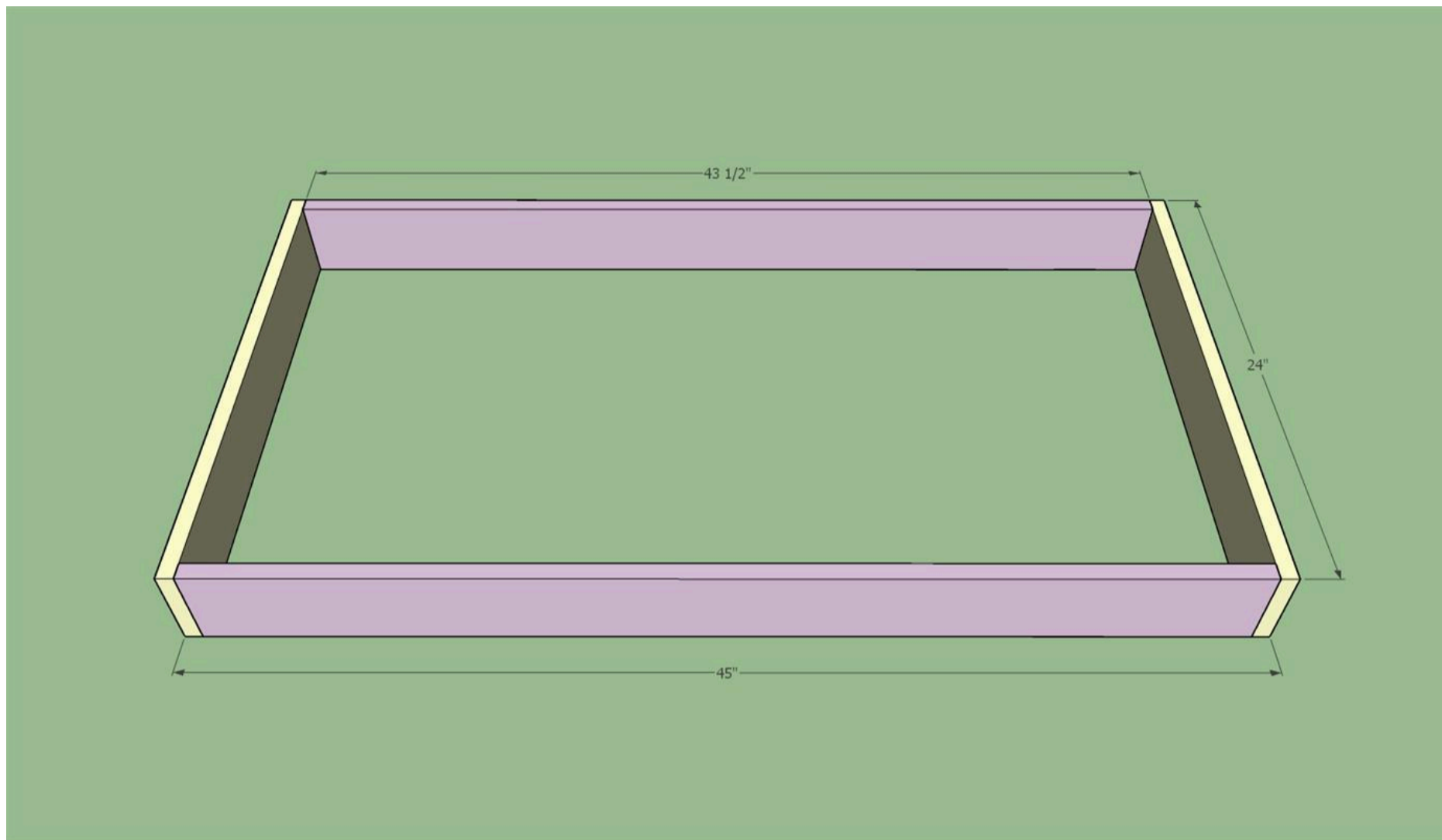
Once pieces are cut to size according to cut list, drill pocket holes into all of the 1-1/2"x 1-1/2" pieces for the base, except the 12" ones. Sand all pieces.



2**Prepare tabletop surround**

Drill pocket holes into all four pieces, plus an additional two holes on the sides of the longer pieces to create a "box." Attach all four pieces using 1-1/4" pocket screws.

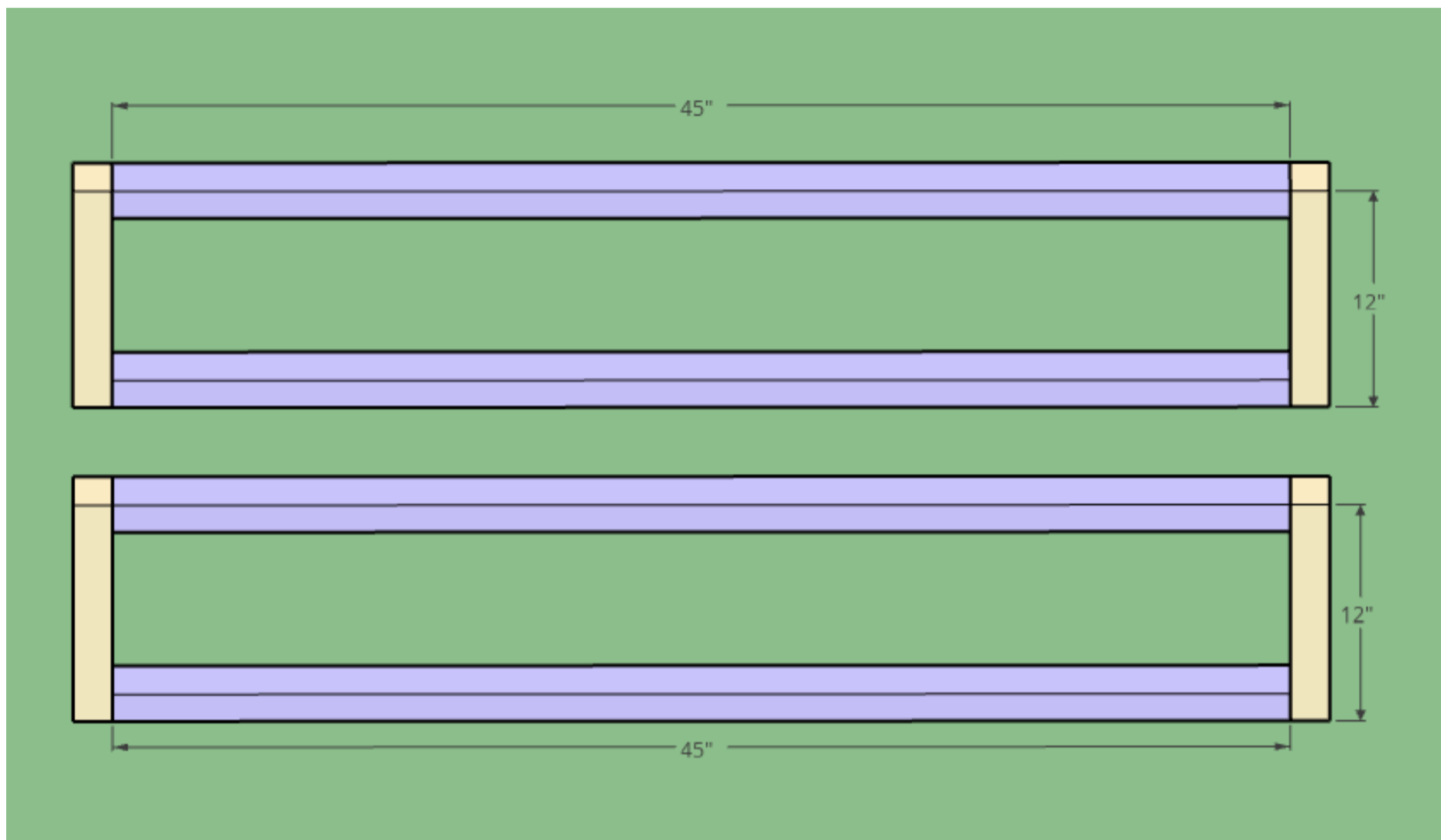
Sand all pieces smooth with 120 grit sandpaper.



3

Build frame base - part 1

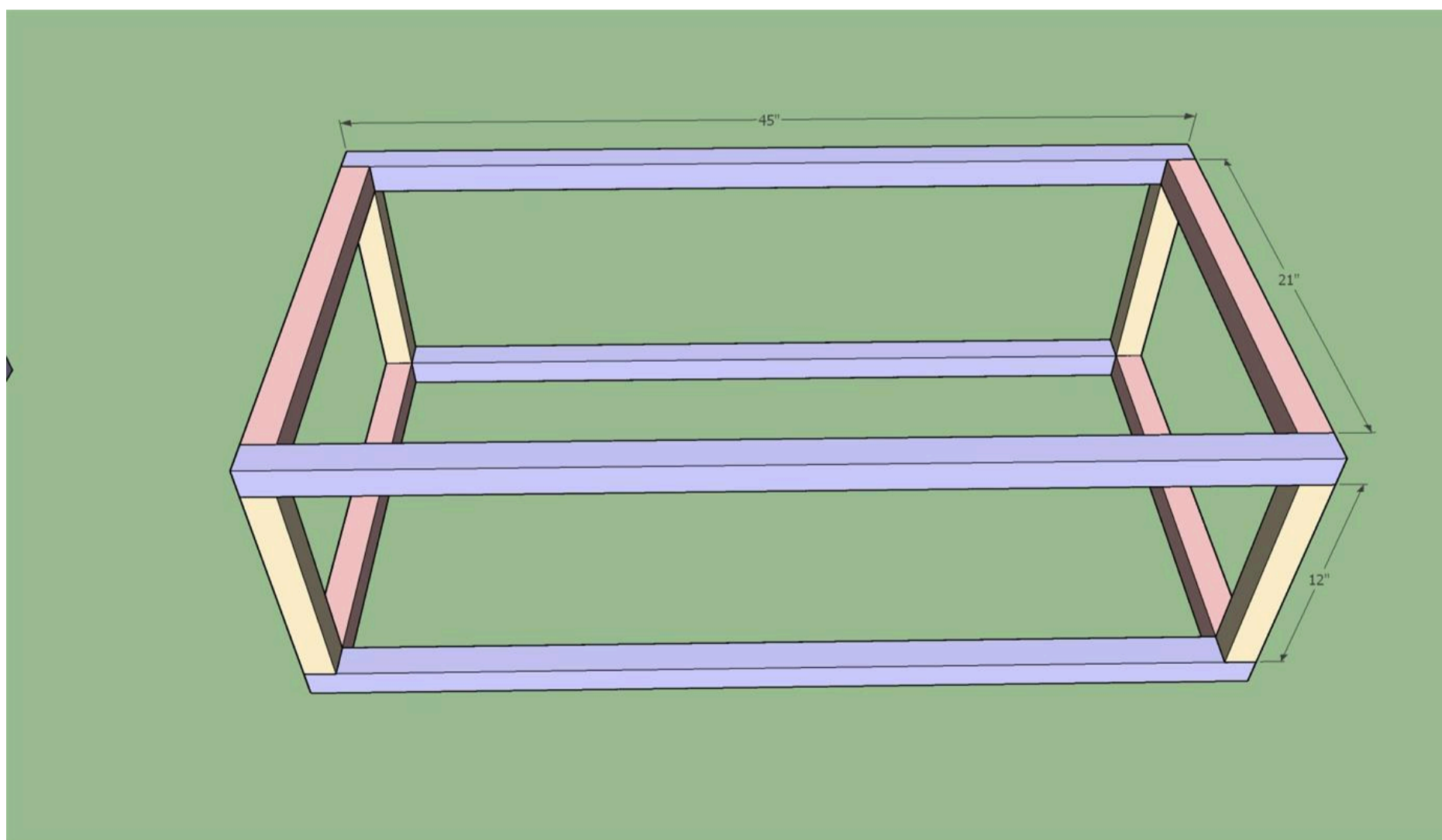
Using 45" and 21" pieces of the 1-1/2"x1-1/2" boards, create two frames as illustrated in image using 2-1/2" pocket screws.



4

Build frame base - part 2

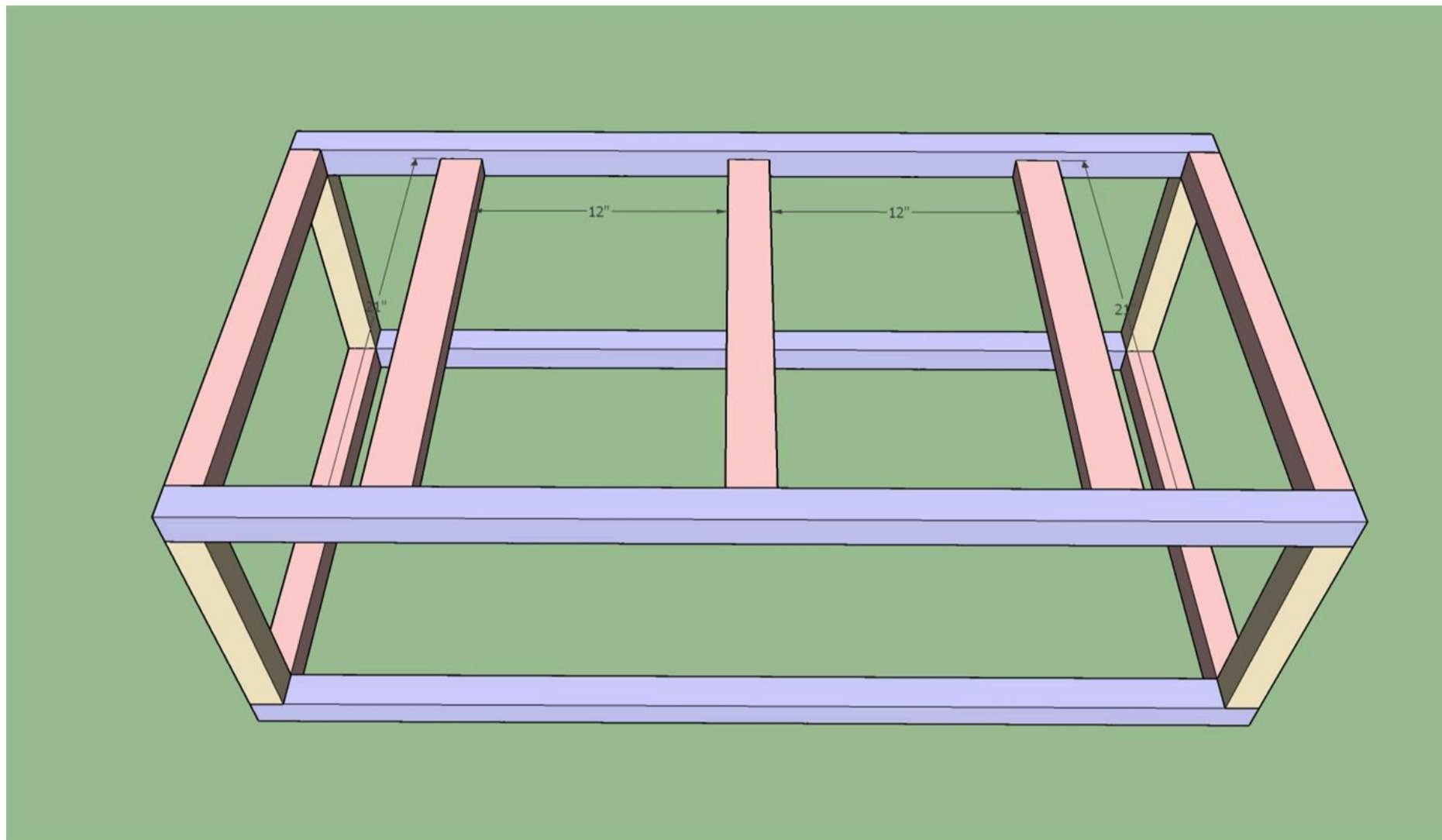
Attach 1-1/2"x1-1/2"x21" pieces to the frames using 2-1/2" pocket screws.



5

Build bottom supports

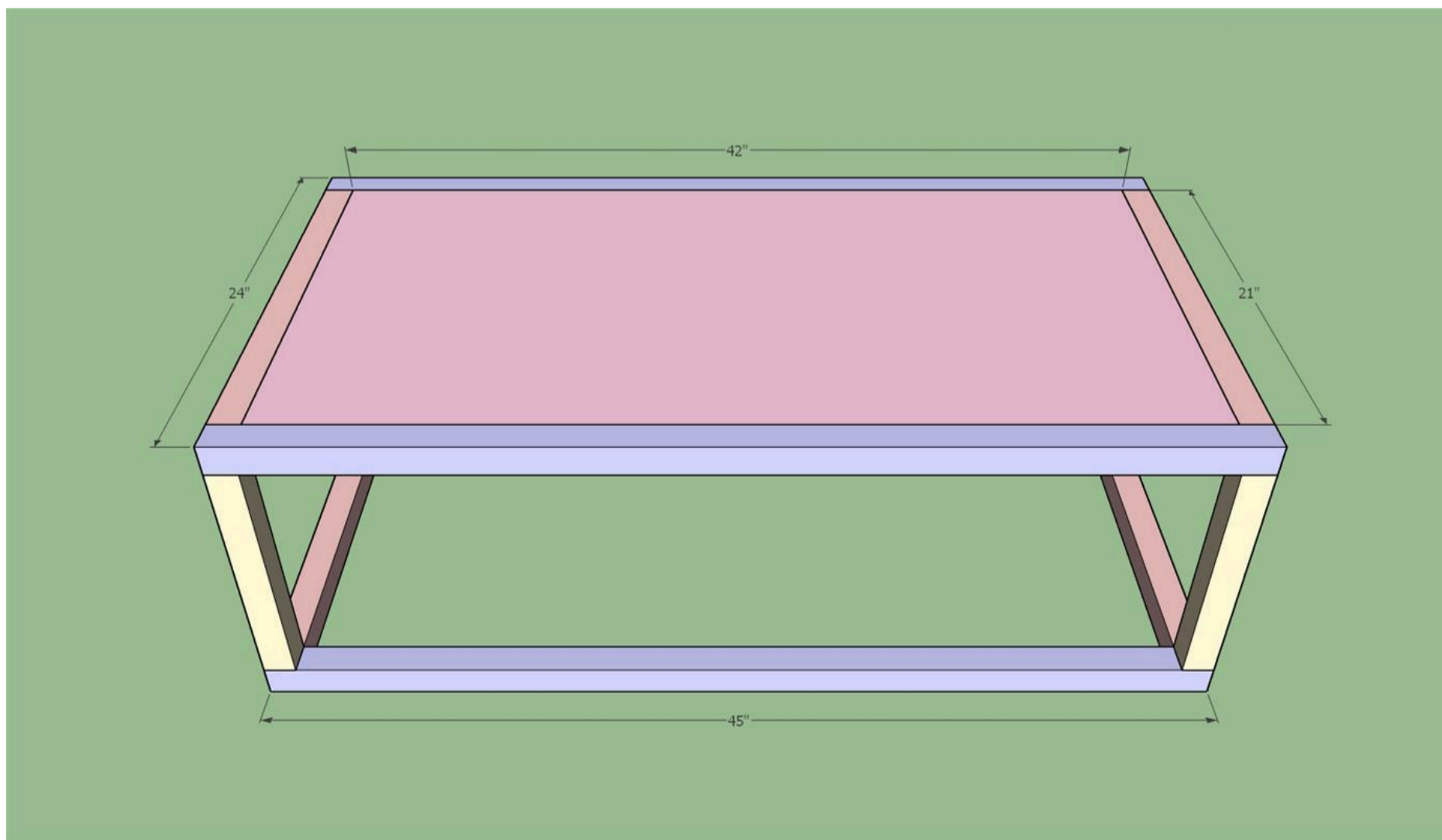
Attach the 3/4"x1-1/2"x21" boards to the base frame to create a support for the bottom of the tabletop.



6

Add plywood bottom

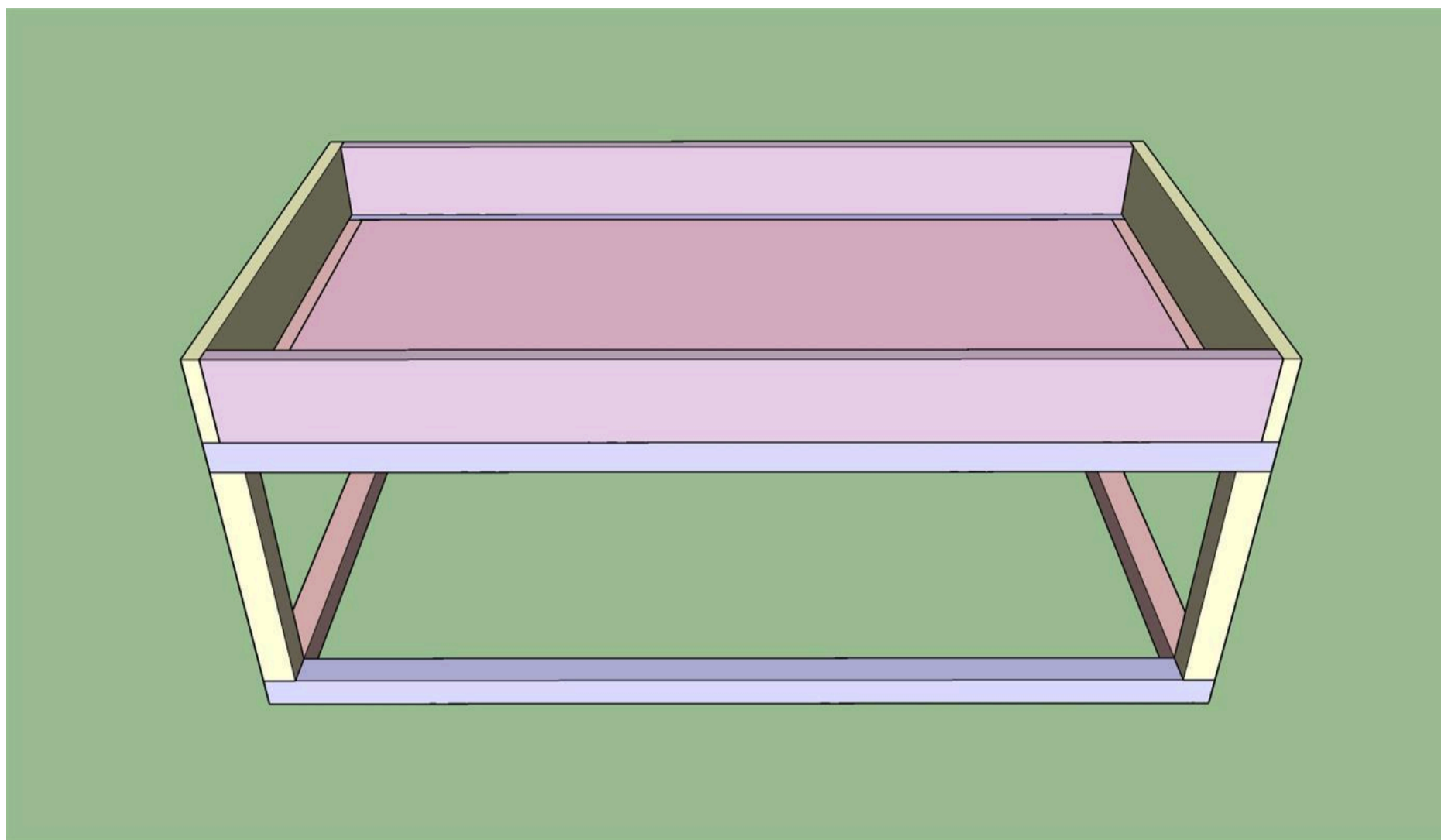
You can use screws for this, but it should be a tight enough fit that you don't need to.



7

Attach train table surround

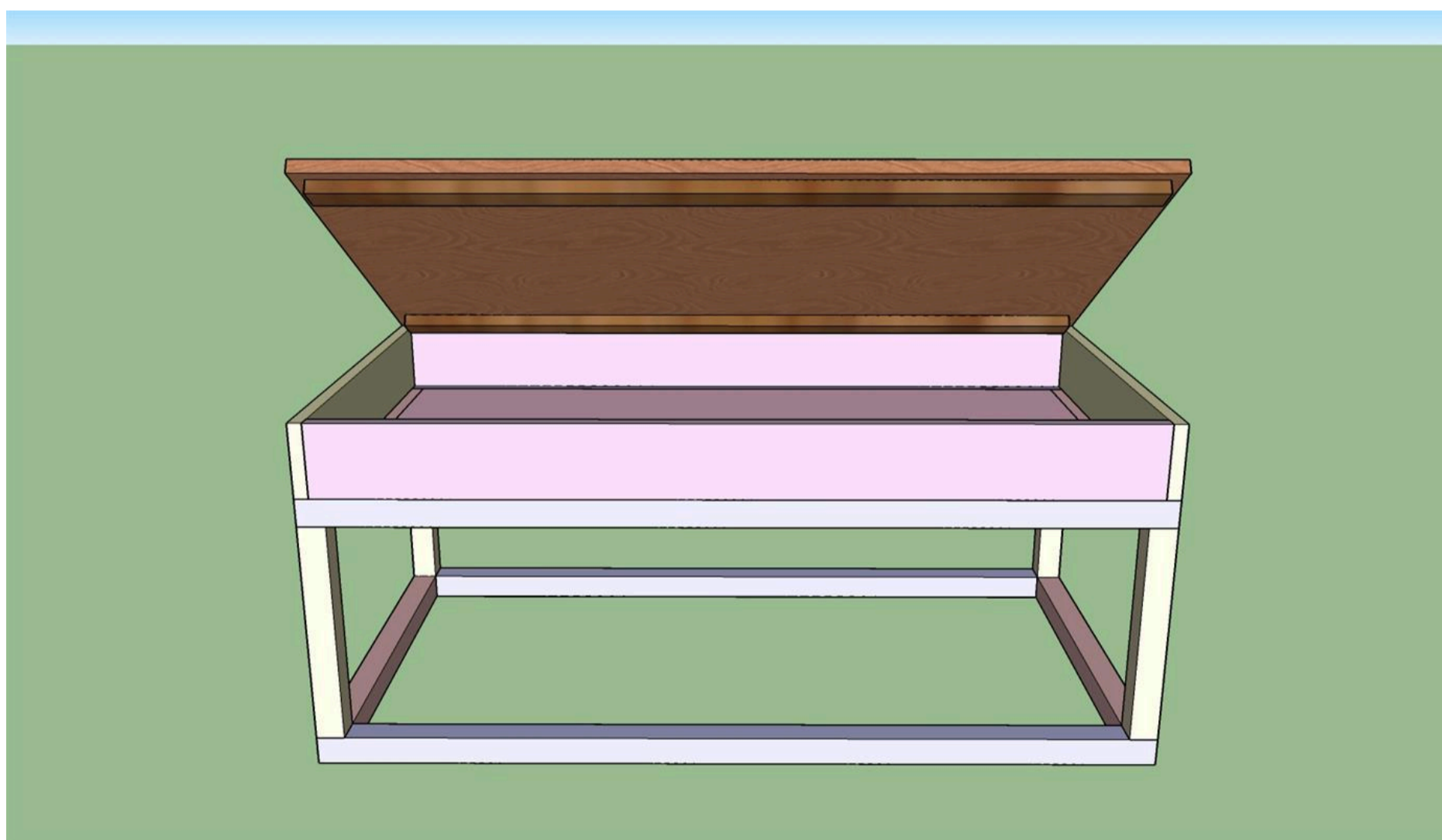
Stain the entire thing in the colour of your choice, then, using 1-1/2" pocket screws, attach top piece.



8

Prepare tabletop

Add stoppers to the tabletop so that the top doesn't slide around. Stain in colour of choice.



9

Paint base

Using a matte black paint of your choice, paint the base.



10

Draw train table landscape

Using a pencil, draw a road, lake, trees, and whatever else you'd like as part of your train table landscape on the plywood base.



11

Paint lansdcape

Using acrylic paint and small craft paintbrushes, paint the grass, water, road, etc.



12

Add trains!

Add in your trains and let the kiddos play! When they're done, just add the top back on!

