

Farmhouse Desk

By **The Creative Mom**

Difficulty
Moderate

This is a cute and sturdy farmhouse desk. Perfect for a student, a family, or for running a business. The farmhouse finish adds a rustic charm. It is a simple build that can be finished in a weekend- it's perfect for a beginning builder.





Tools

Kreg Tools



Other Tools

Circular Saw (cordless)

Jigsaw

Miter Saw

Tape Measure

Drill (cordless)

Nail Gun

Sander

Materials

Wood Products

3 Plywood , 3/4" Thick , Quarter Sheet

4 Board , 2x2 , 96"

2 Board , 1x2 , 96"

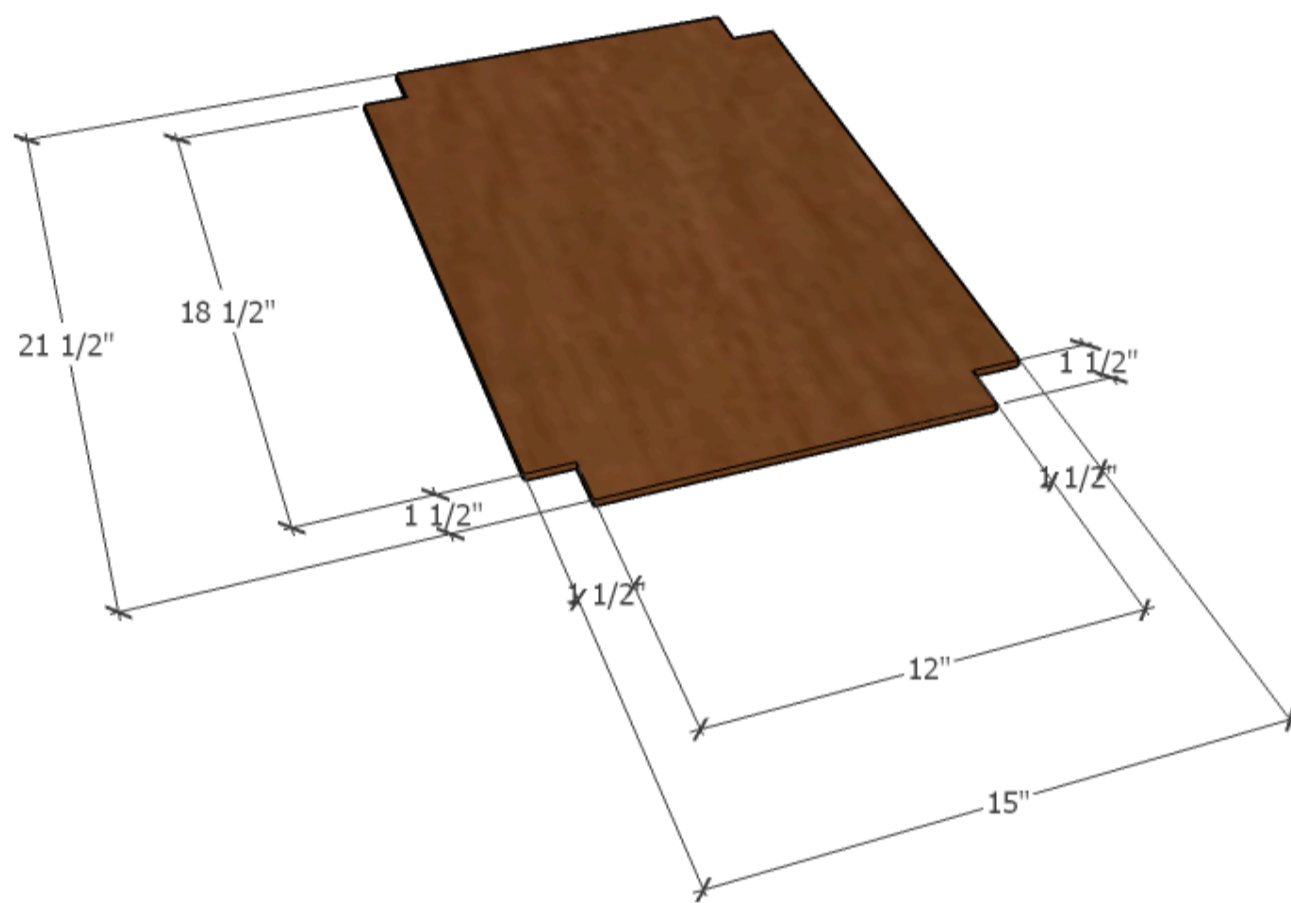
Hardware & Supplies

50 2 1/2" Pocket Hole Screws

8 1 1/4" Pocket Hole Screws

Cut List & Parts

- 2 Boards , 1"x2"x21 1/2"
- 2 Boards , 1"x2"x44"
- 1 Board , 2"x2"x26 1/2"
- 5 Boards , 2"x2"x18 1/2"
- 4 Boards , 2"x2"x12"
- 6 Boards , 2"x2"x30"
- 2 Table Top , 24"x48" 3/4" Thick
- 2 Shelves , 15"x21 1/2" 3/4" Thick



Directions

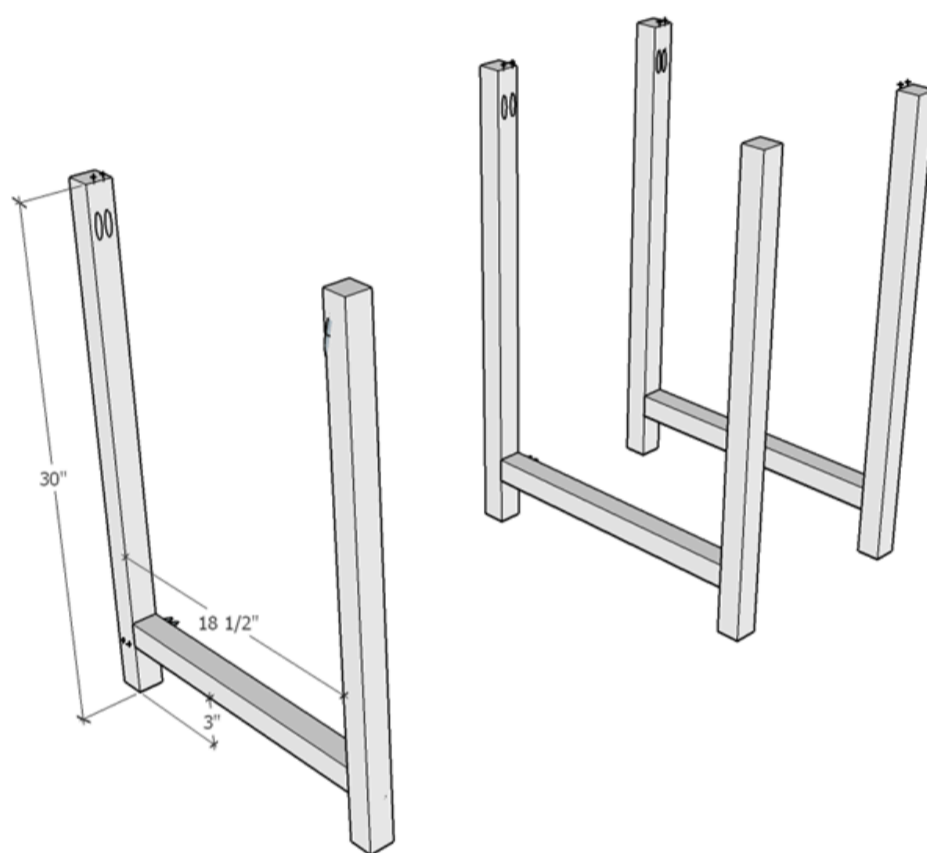
1

Build 3 Legs

Cut 6- 30" 2x2's. Drill 1 1/2" pocket holes on ONE end of 30" boards.

Cut 3- 18 1/2" 2x2's. Drill 1 1/2" pocket holes on each end of 18 1/2" boards.

Attach 18 1/2" boards 3" up on 30" boards, using 2 1/2" pocket hole screws.

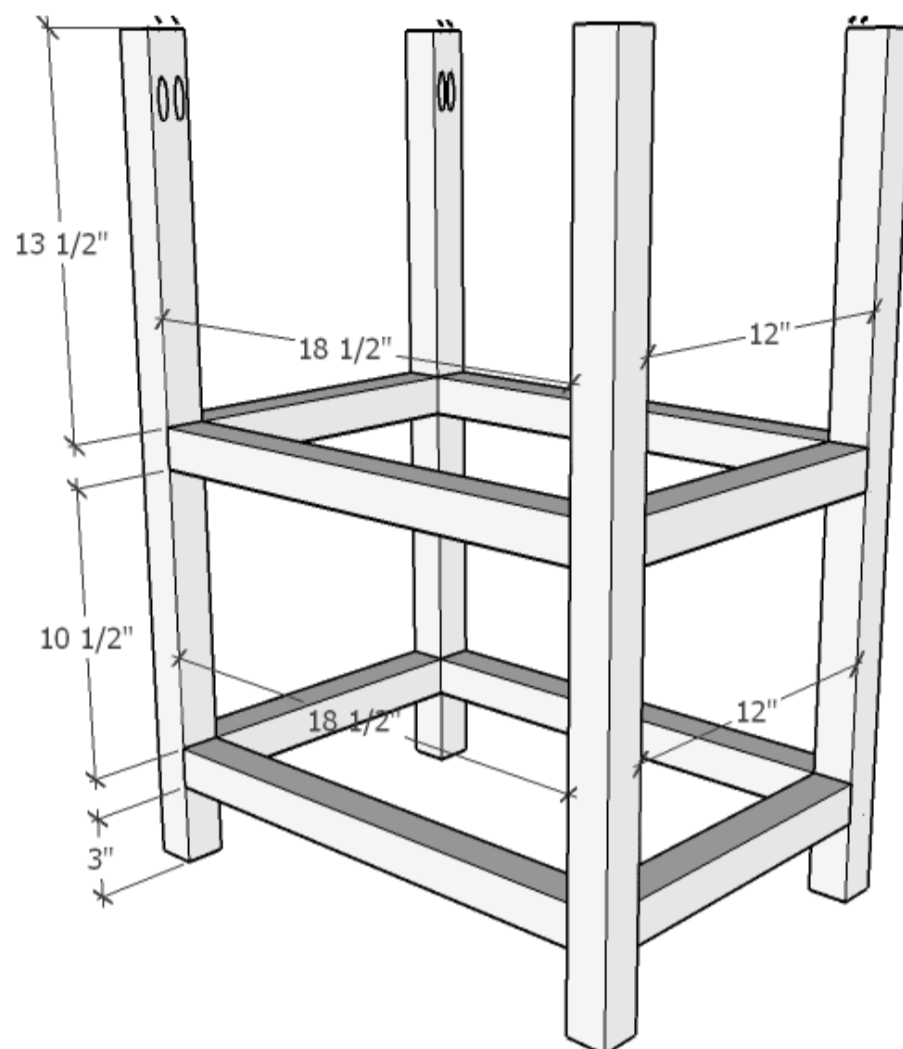


2

Attach shelf supports

Cut 2- 18 1/2" 2x2's. Drill 1 1/2" pocket holes on each end of 18 1/2" boards. (in addition to 3 used in previous step)

On 2 of the frames you've created, Attach 18 1/2" boards 13 1/2" down on 30" boards, using 2 1/2" pocket hole screws.

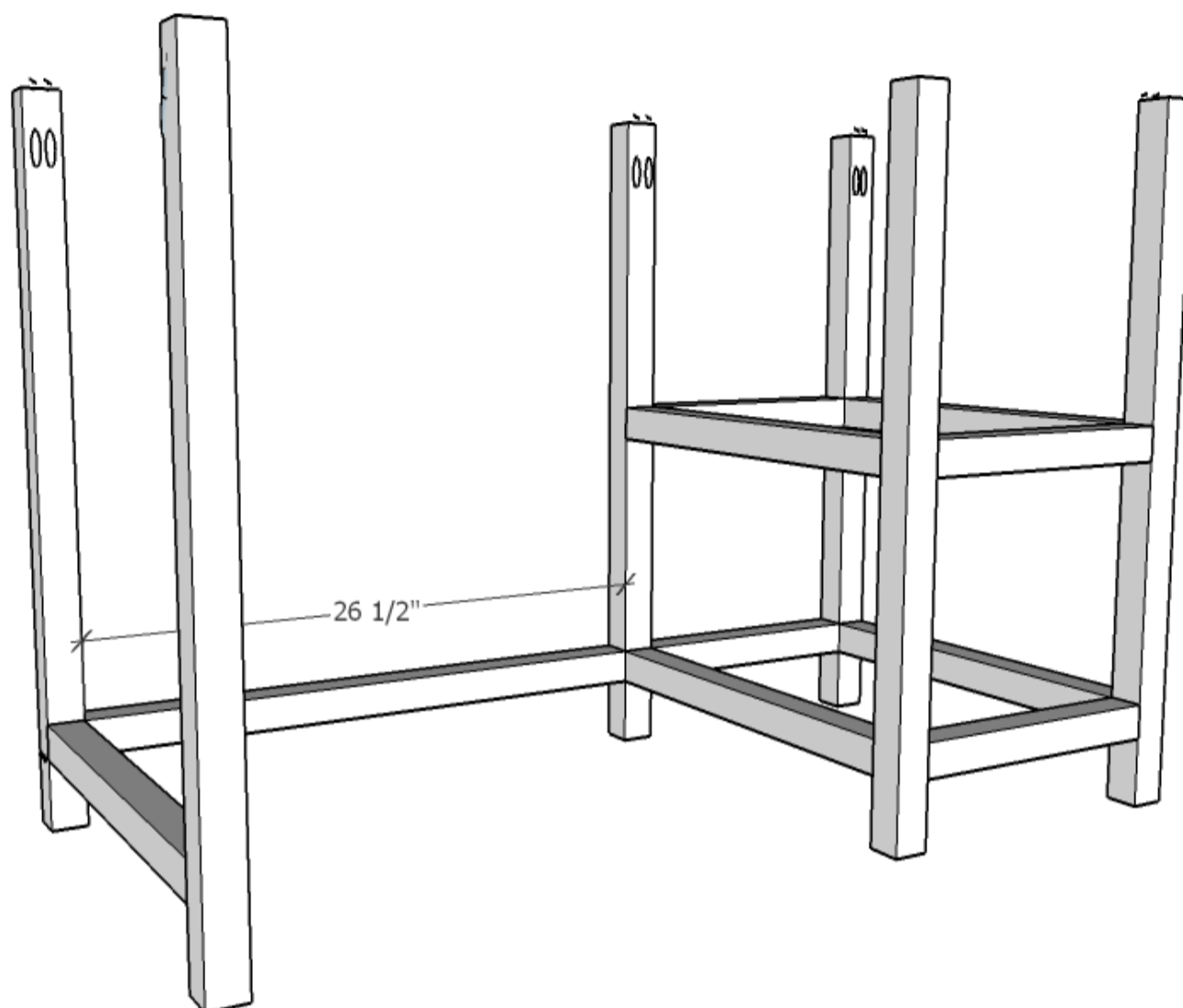


3

Create Shelf frames

Cut 4- 12" 2x2's. Drill 1 1/2" pocket holes on each end of 12" boards.

On the 2 frames you've built (that have 2 shelf supports), attach 12" boards 13 1/2" down, using 2 1/2" pocket hole screws.

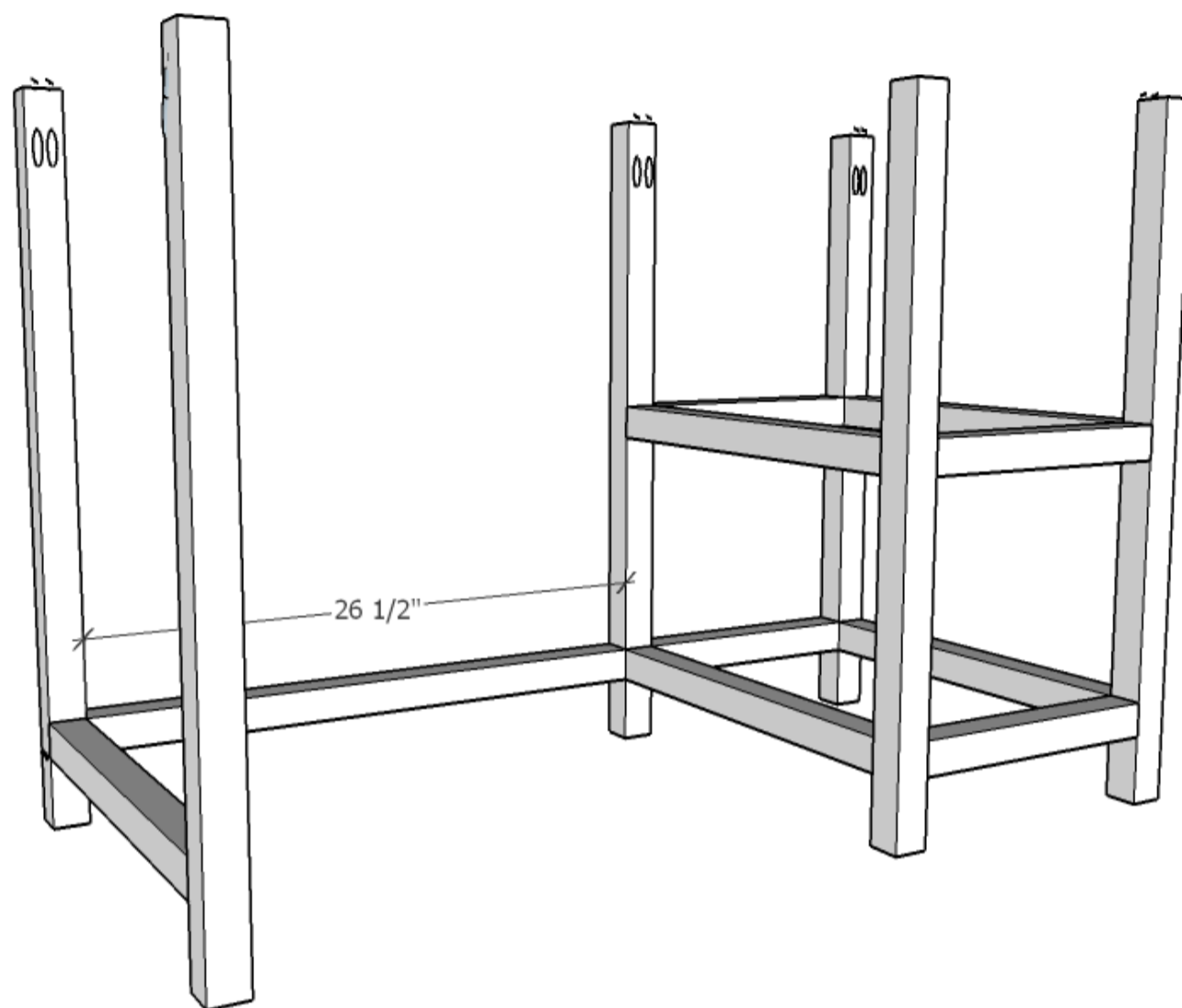


4

Add back crossbar

Cut 1- 26 1/2" 2x2's. Drill 1 1/2" pocket holes on each end of boards.

Attach the board to the shelf frames you've built, using 2 1/2" pocket hole screws.



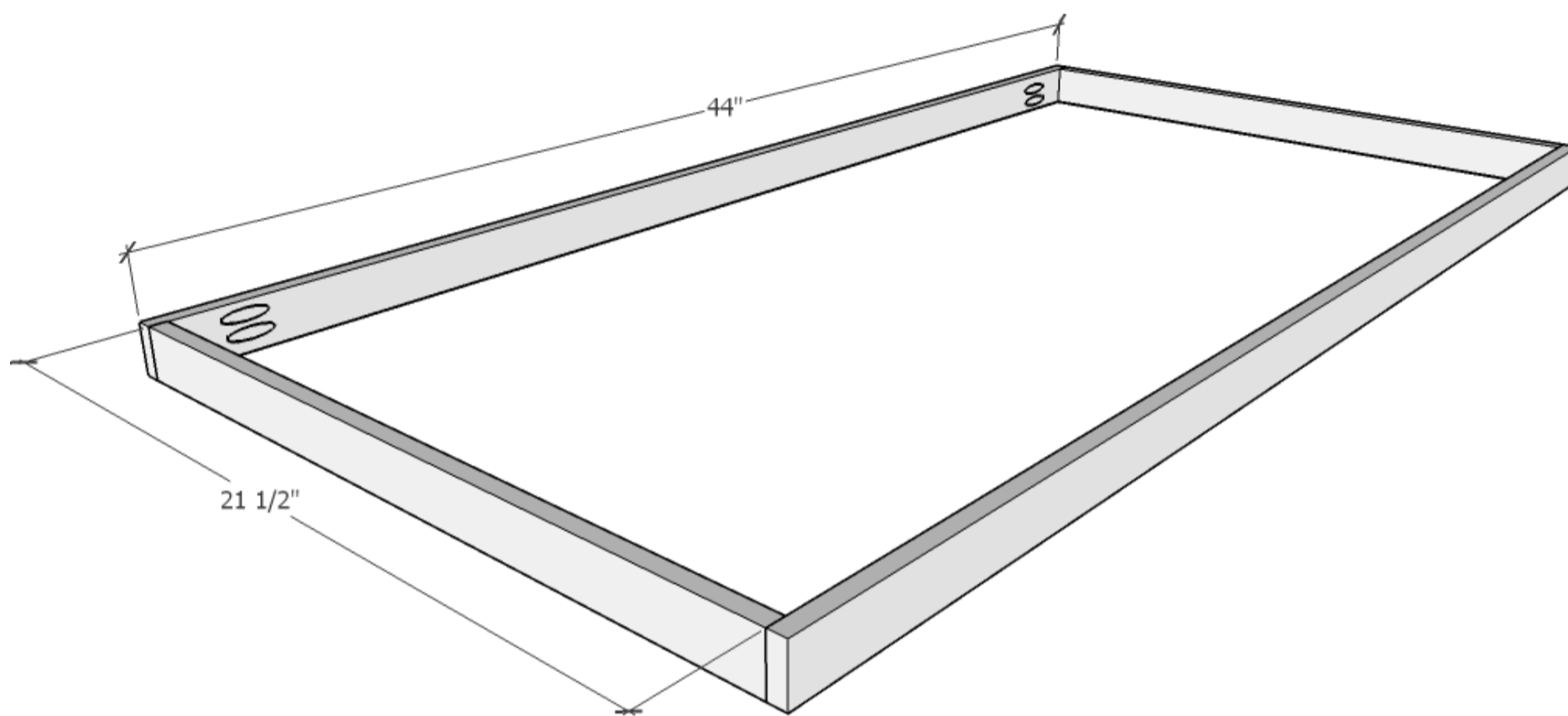
5**Build Apron**

Cut 2- 44" 1x2's.

Cut 2- 21 1/2" 1x2's. Drill 1 1/2" pocket holes on each end of boards.

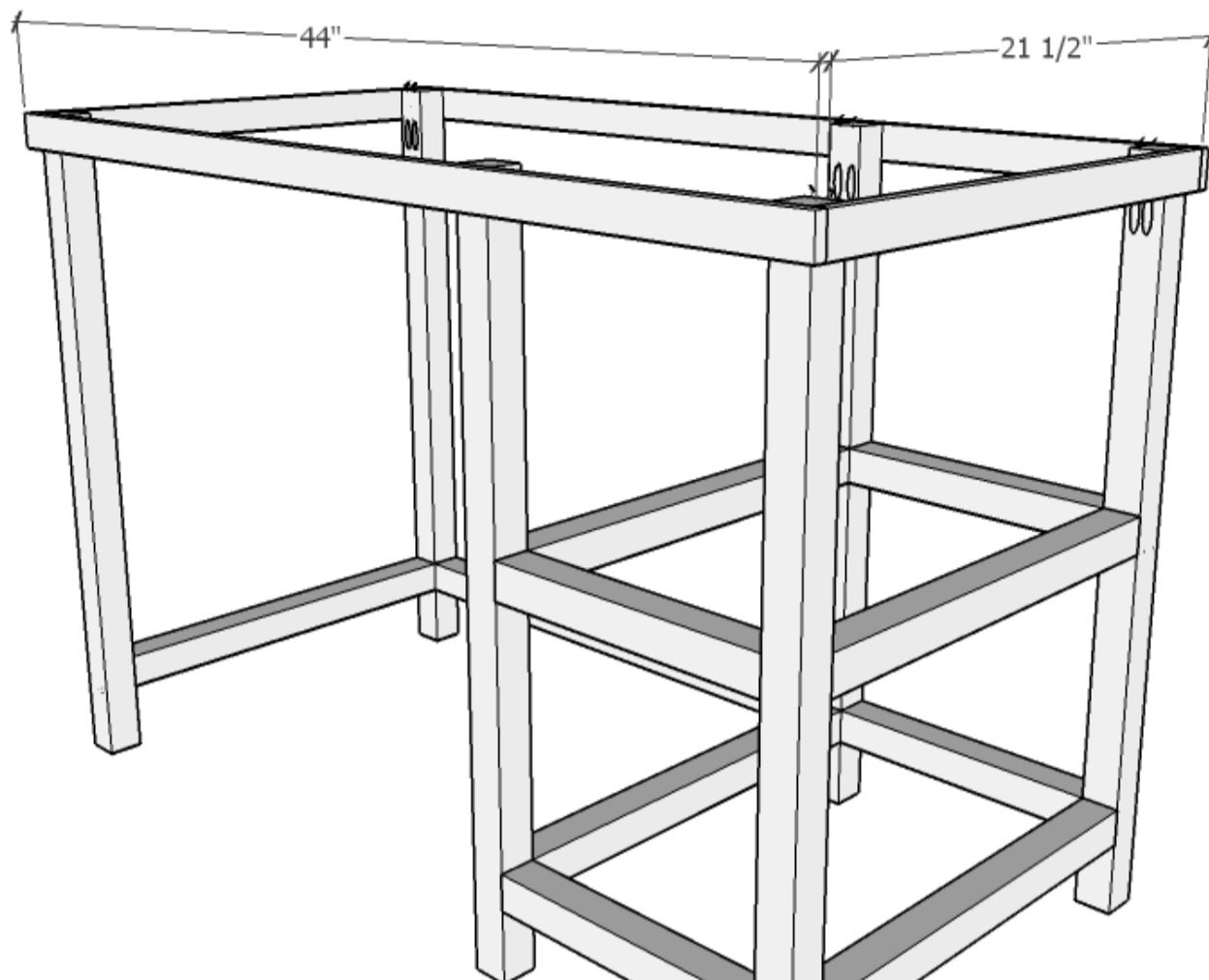
Attach the boards together to create a frame, using 1 1/4" pocket hole screws.

***** Please note: the photo shows the pocket holes drilled incorrectly. The pocket holes should be drilled on the short boards, not the long ones. *****



6**Attach Apron**

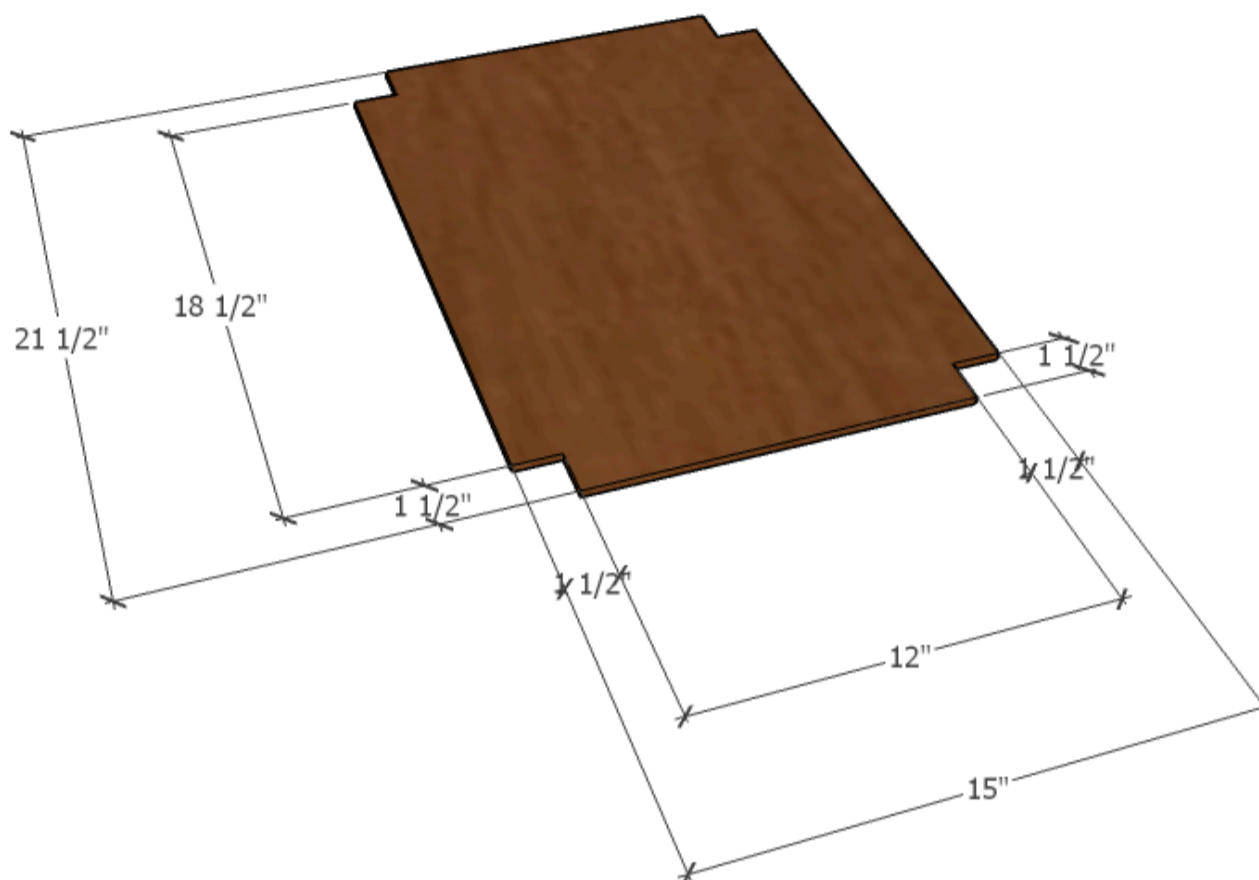
Using Brad Nails, attach your apron frame to the top of your desk frame, so the tops are flush.



7**Cut shelf tops**

Using a table saw or circular saw, cut 2 shelf tops, measuring 15" x 21 1/2".

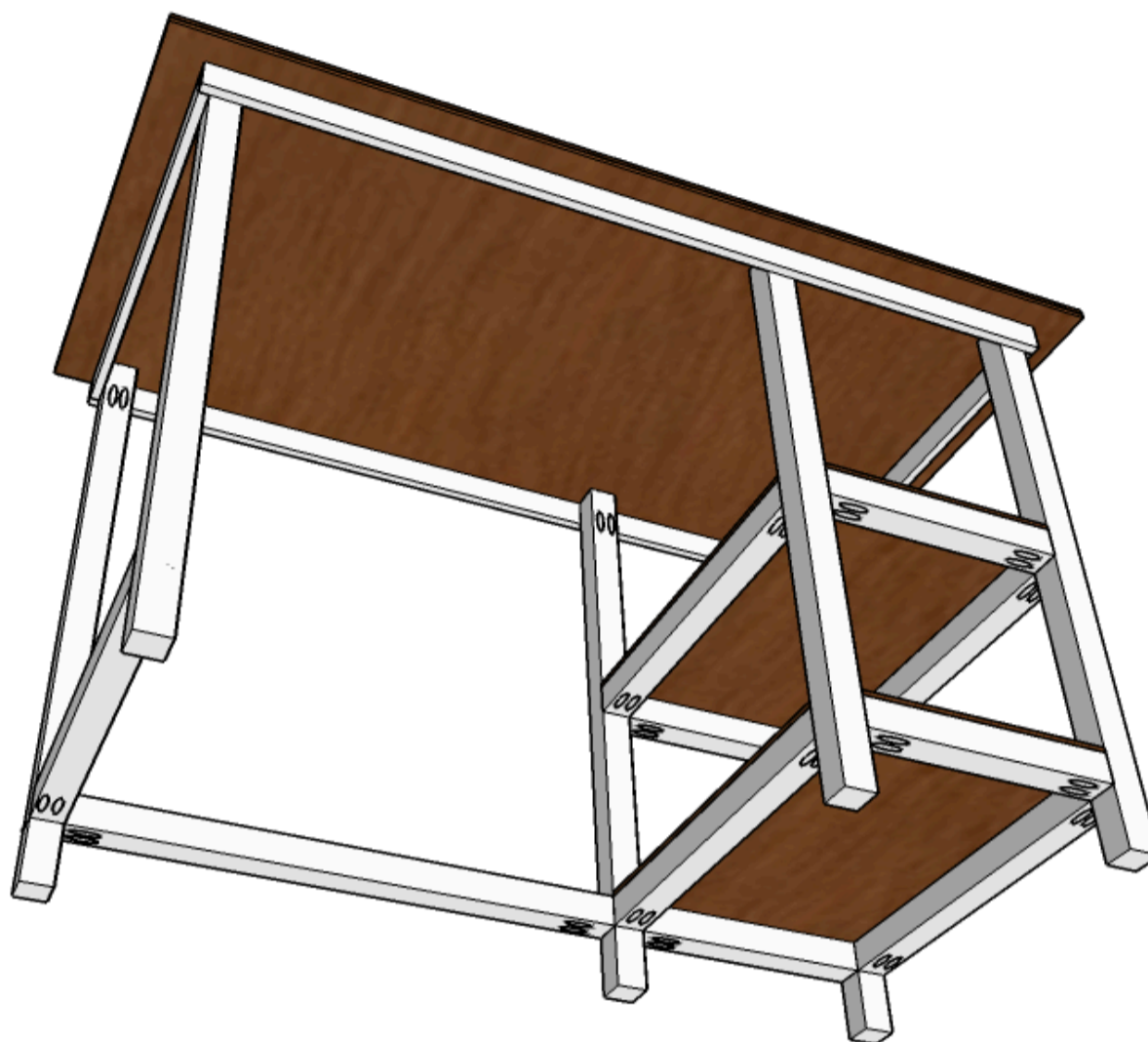
Using a jig saw, cut a 1 1/2" x 1 1/2" notch out of each corner of the shelf tops.



8

Attach shelf tops

Using a brad nailer, nail down your shelf tops.



9

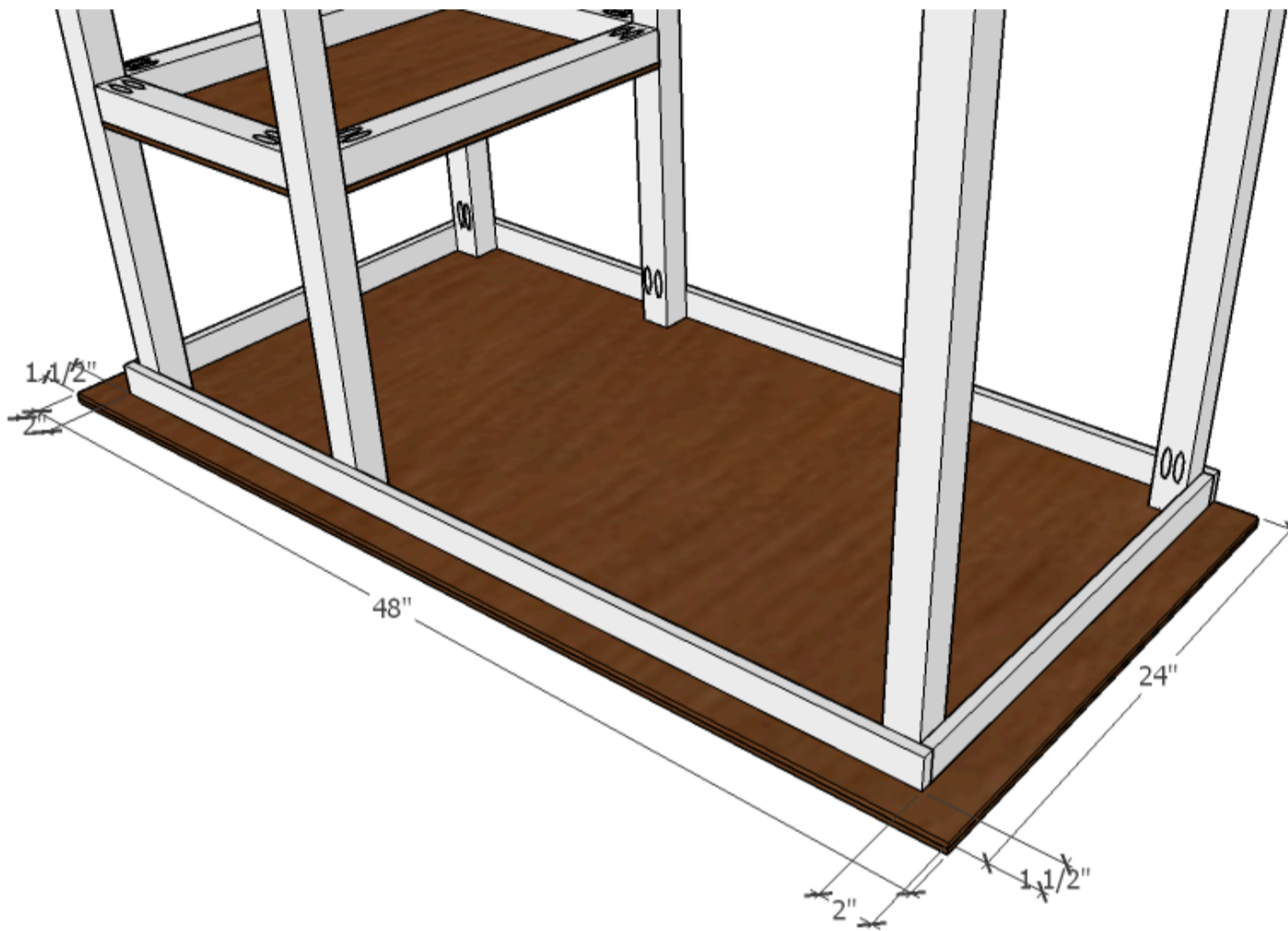
Create desk top

(This step can be done before building the desk frame)

The desk top is made by stacking 2- 24" x 48" sheets of sanded plywood.

Put wood glue between the two sheets, and clamp them together. Let them dry overnight, then sand the edges until smooth.

Stain or paint the plywood and use polyurethane to protect the wood.



10**Attach the desk top**

Using 2 1/2" pocket hole screws, attach the desk top to the 30" 2x2's of your desk frame.

The desk top should be flush with the back of the desk frame, 1 1/2" from the front, and 2" from each side.

