

# How to Make Cornhole Boards – Official Regulation Size

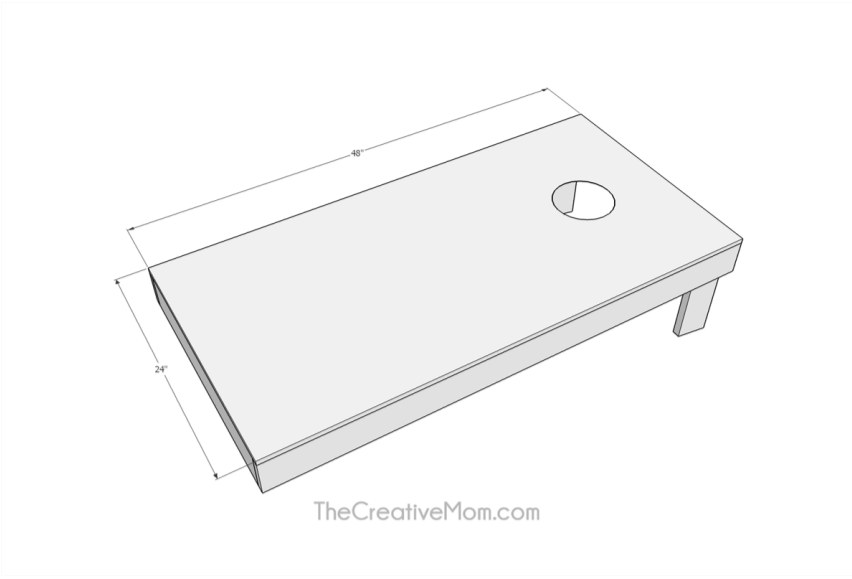
By **The Creative Mom**

Difficulty

Easy

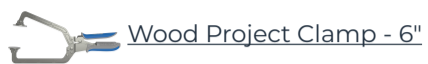
This step by step building plan is for regulation size cornhole boards. It is a pretty simple and straightforward, a great build for woodworkers of any skill level.





## Tools

### Kreg Tools



### Other Tools

Jigsaw

Miter Saw

Tape Measure

Drill (cordless)

Sander

## Materials

### Wood Products

4 Board , 1x4 , 96"

2 Plywood , 3/4" Thick , Quarter Sheet

### Hardware & Supplies

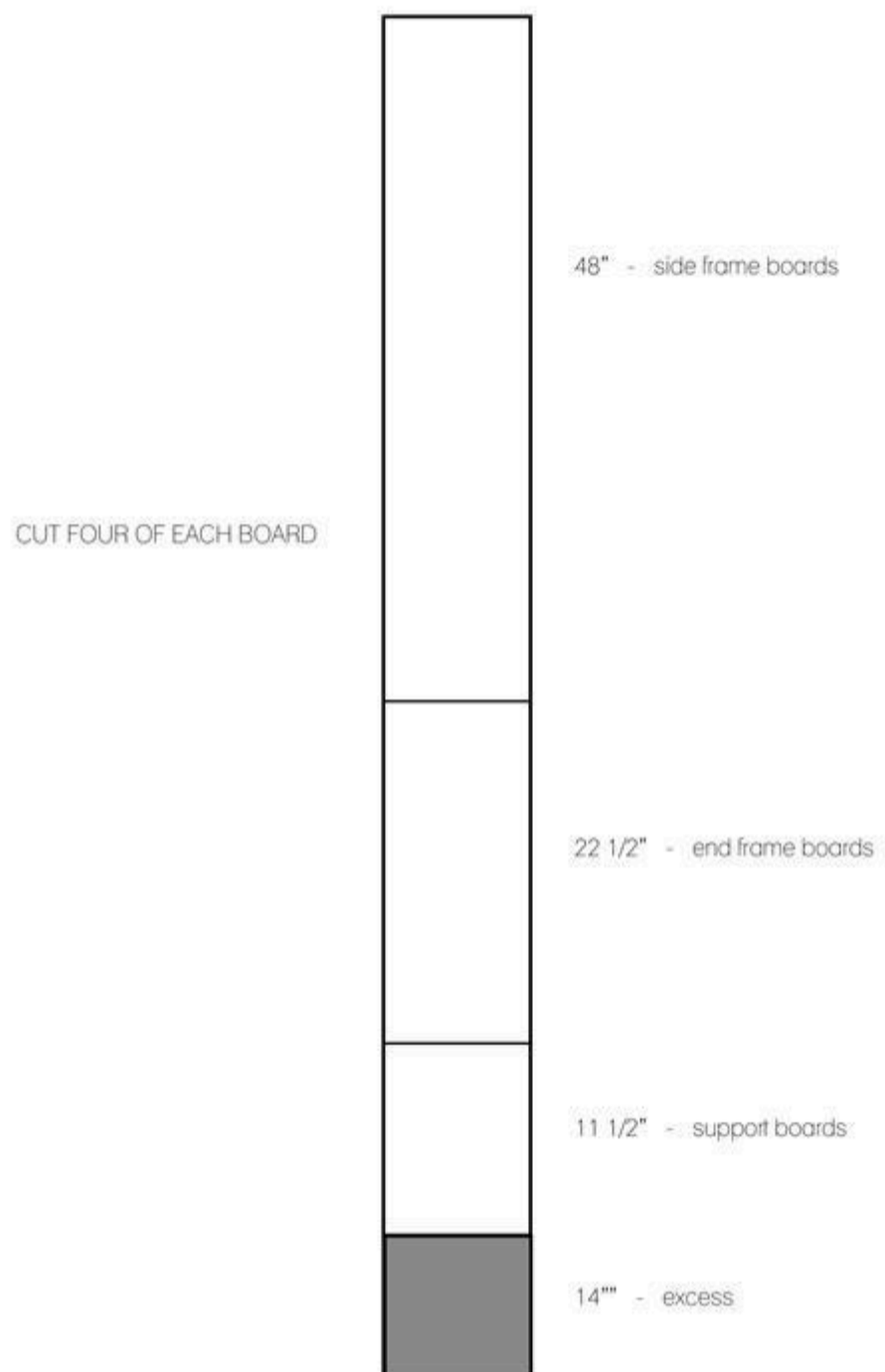
4 Hex Bolts- 2" X 1/2"

4 1/2" Washers

4 1/2" Nuts

# Cut List & Parts

- 2 Cornhole Tops , (24" X 48) "3/4" Plywood
- 4 Side Frame Boards , (48") 1x4 Boards
- 4 End Frame Boards , (22 1/2") 1x4 Boards
- 4 Support Boards , (11 1/2") 1x4 Boards- One End Cut At 10 Degrees And The Other End Rounded

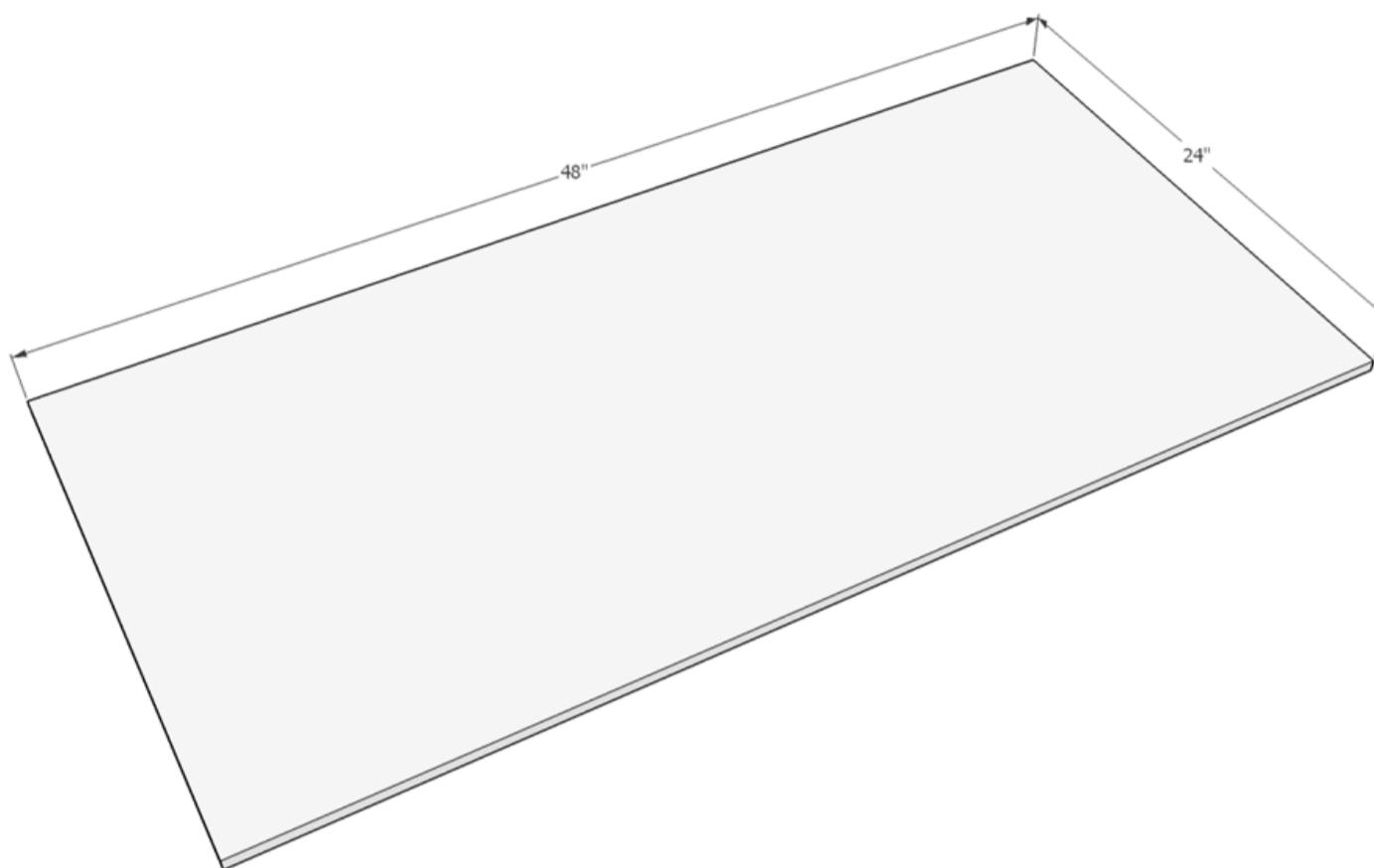


# Directions

1

## Cut Tops

Start with two 24" x 48" sheets of 3/4" plywood. You can purchase these precut or rip them down from a full sheet.

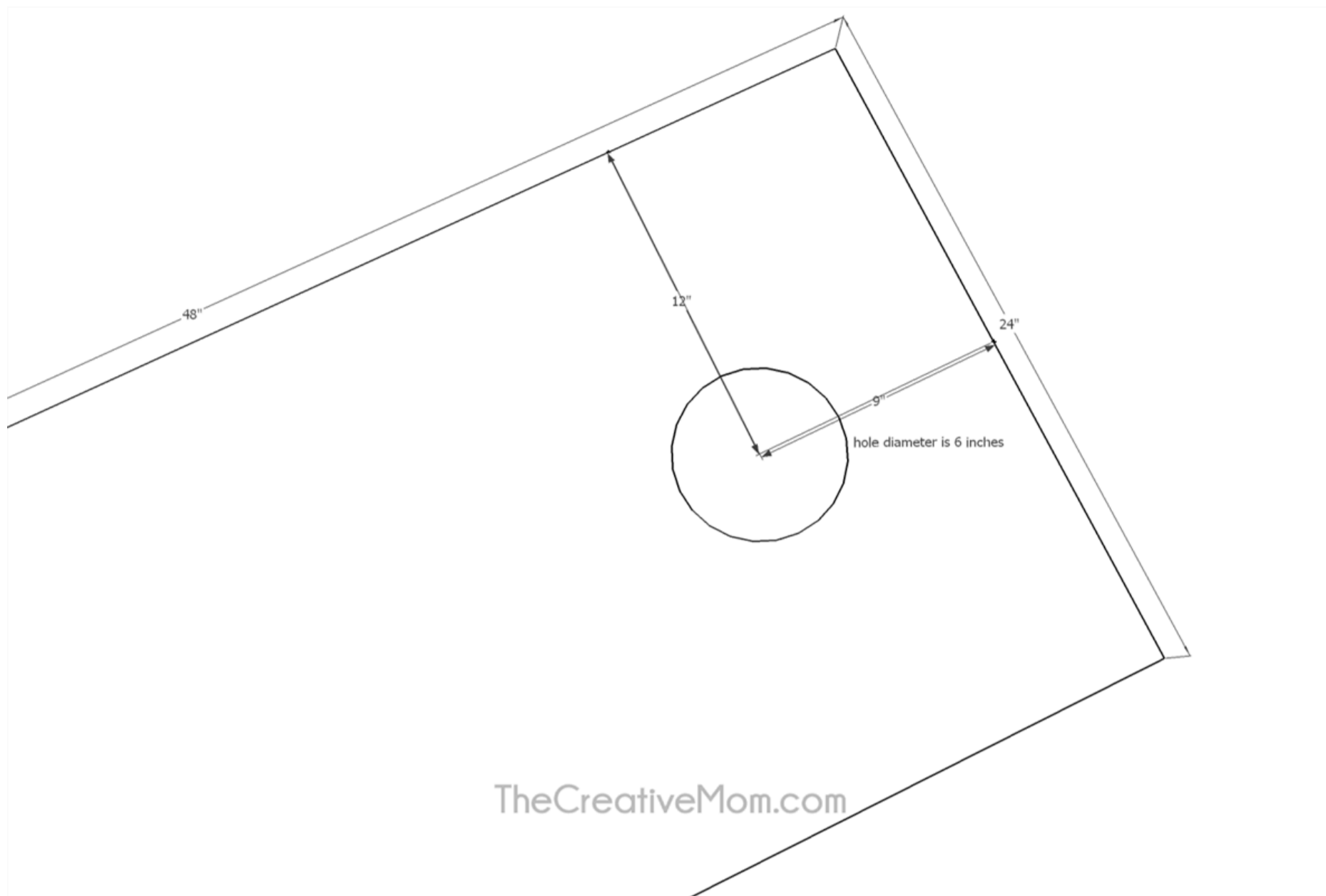


TheCreativeMom.com

**2****Mark Holes**

Measure 9 inches from the top and 12 inches from the side. Mark that point.

Trace a 6" diameter circle, centered on that point. You can do this either with a compass, or with a pencil attached to a string, with a nail in the center point.



**3****Cut Holes**

Cut a 6 inch diameter circle. You can use a 6" hole saw, or simply predrill a hole inside your circle, and use a jigsaw to cut the circle. \*\*\* Tip: I like to place painter's tape over the line before I cut, this helps prevent tear-out, and makes for a cleaner cut. Once you cut your circles, sand the edges.

---





**4****Prepare the Frame**

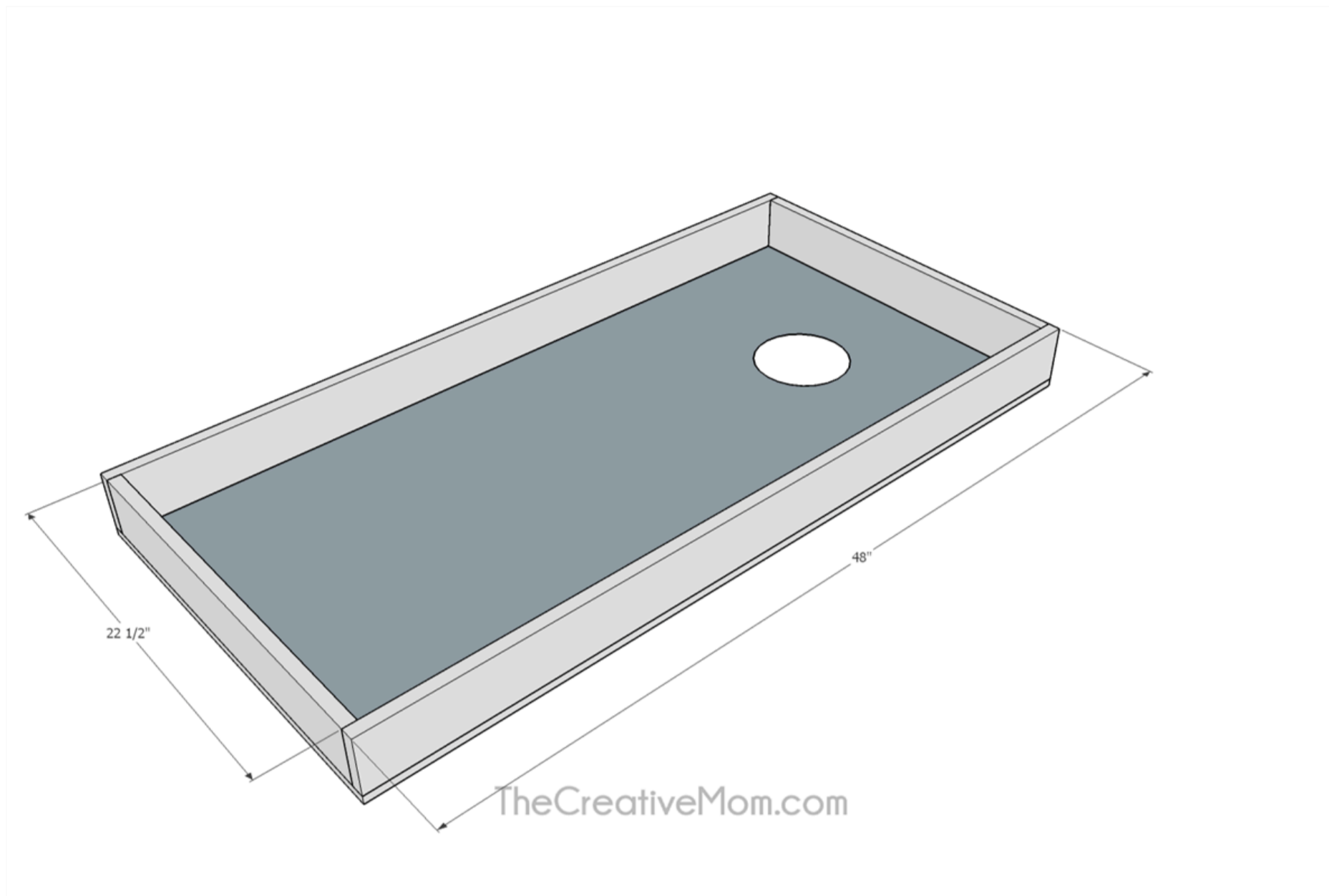
Cut 4- 48" 1x4 boards and 4- 22 1/2" 1x4 boards.

Drill pocket holes in the sides of all the boards, and also in the ends of each of the 22 1/2" boards.



**5****Attach the Frame**

Using wood glue and 1 1/4" pocket hole screws, attach the frame boards together on the corners. Then attach to the frame with the pocket holes on the sides.



6

### Attach the Frame

Your frame should be attached with pocket hole screws from the underside.

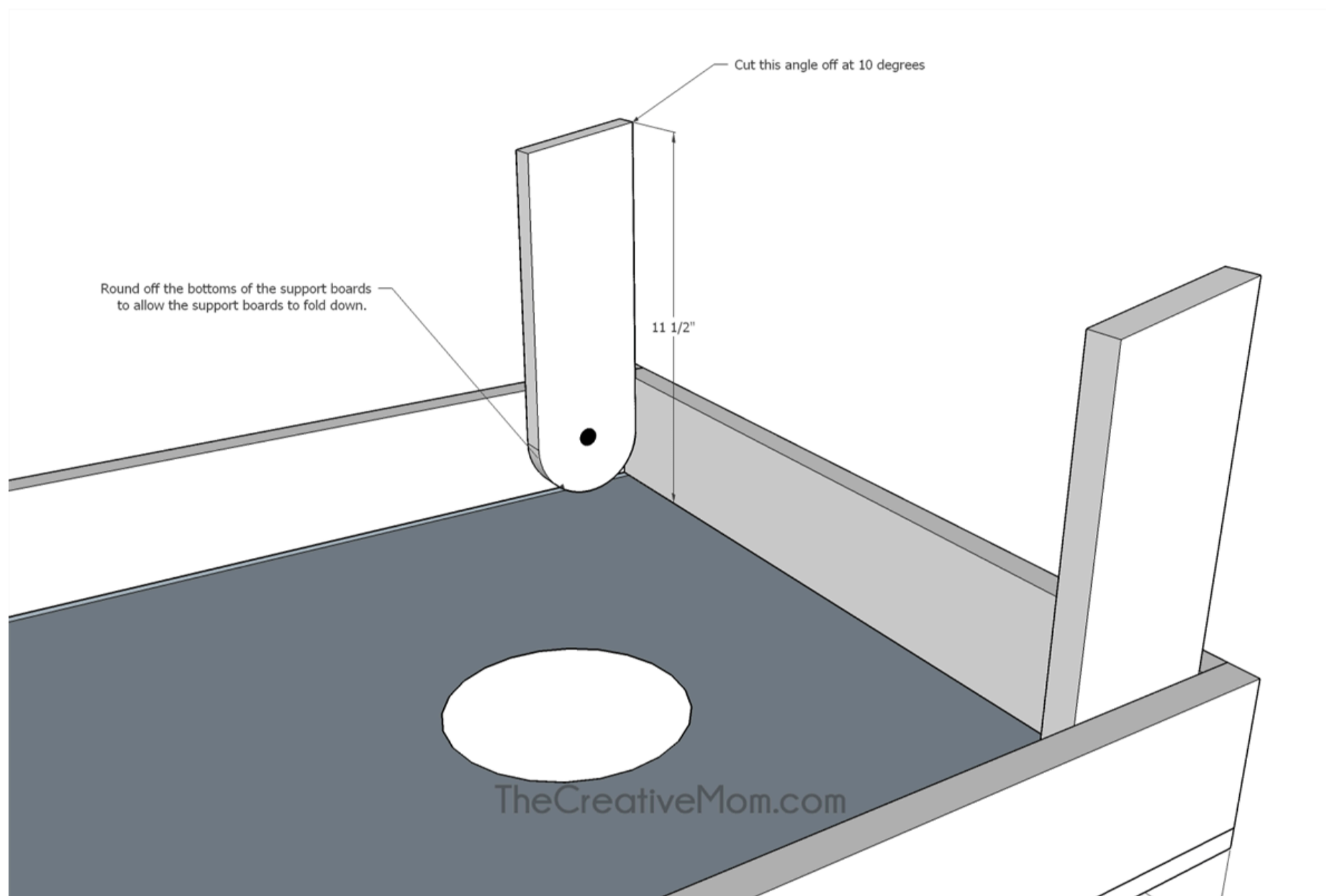


**7****Cut Support Boards**

Cut four 11 1/2" boards.

One end should be cut at 10 degrees off square.

Round off the bottoms to allow the boards to fold down.

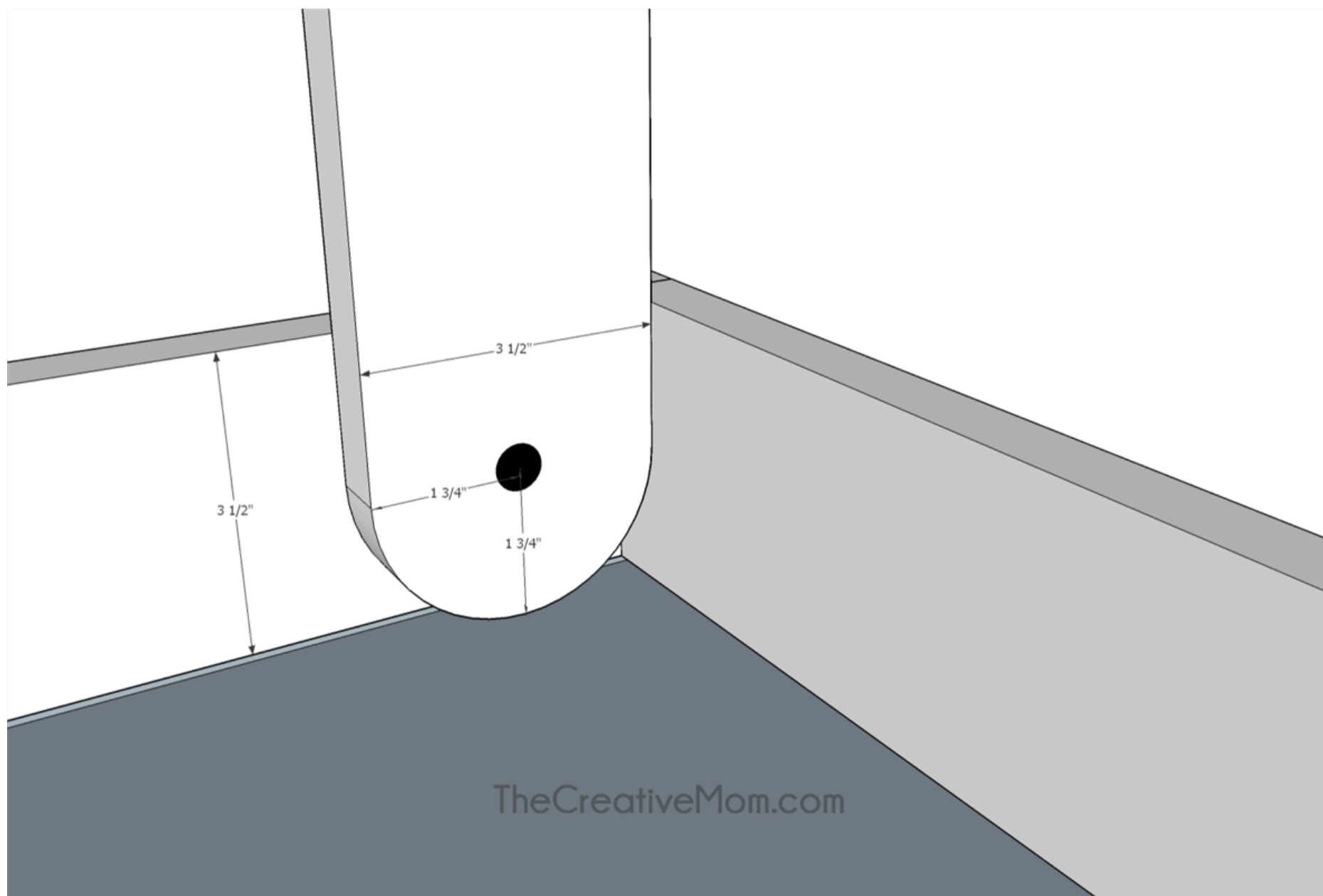


## 8

**Attach Support Boards**

Clamp the support boards to the inside of your cornhole frame. Using a drill bit the same diameter as your bolts, drill a hole 1 3/4" from the sides and from the bottom of your support board. Drill through the support board and the frame.

Attach the support boards with a 2 inch bolt, at least 1/4" in diameter.



## 9

**Finish**

Test that your support boards fold in and out easily. If there is any resistance, you may need to sand your rounded edges to allow the boards to swivel smoothly.

Sand, then stain or paint your cornhole game. The official rules call for a semi-gloss finish to the cornhole boards.

## 10

**Make Corn Bags**

You can order cornhole bags at the link listed in the extras category. Or if you are sewing your own, the official rules state:

The cornhole bags shall be made from two fabric squares 6.25 square inches with a 0.25 inch stitched seam on all four sides. Bags should be made from durable fabric.

Each bag shall be filled with approximately 2 cups of feed corn and finished bags should be roughly 6 square inches and weigh 14-16 ounces.