

# Three Drawer Console

By **Smashing DIY**

Difficulty

Advanced

---

Three Drawer Console perfect for your entry way.



# Tools

## Kreg Tools



[Kreg® Pocket-Hole Jig 720](#)

## Other Tools

Miter Saw

Clamps

Nail Gun

Sander

# Materials

## Wood Products

**2** Board , 2x4 , 96"

**7** Board , 2x2 , 96"

**1** Board , 1x2 , 72"

**6** Board , 1x12 , 72"

**1** Board , 2x6 , 96"

**1** Board , 2x6 , 96"

## Hardware & Supplies

**1** Wood, Pocket Screws, Wood Screws

# Cut List & Parts

- 2 2x2s , 44"
- 4 2x2s , 11.25"
- 1 1x12 , 48"
- 4 2x4s , 32"
- 4 2x2s , 45
- 1 1x12 , 11.25"
- 1 1x12 , 46"
- 2 2x2s , 7.5
- 2 1x12s , 10.5"
- 6 2x2 , 11.25"
- 3 2x6 , 52"

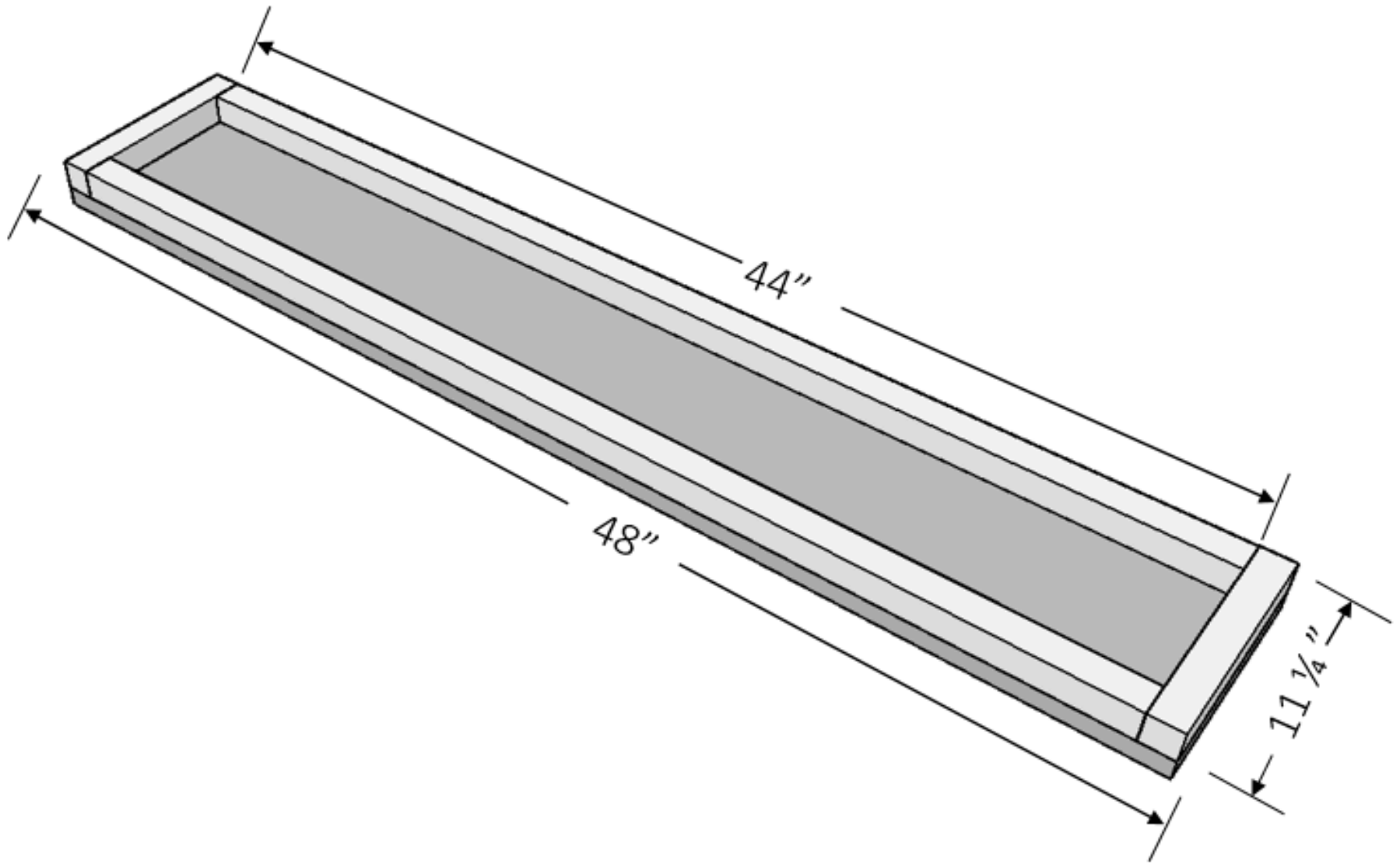
# Directions

---

**1**

**Step 1**

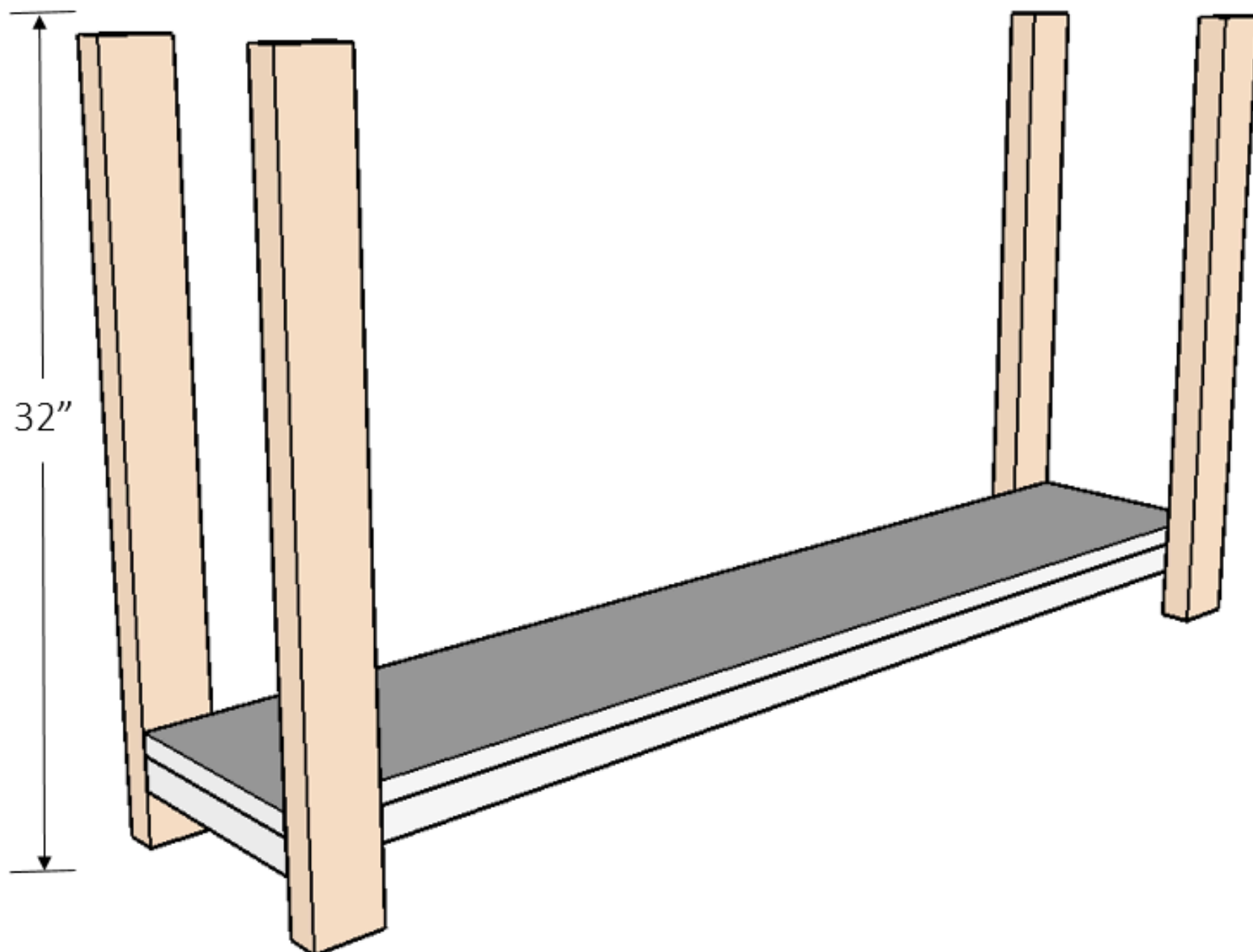
Assemble bottom shelf by attaching 2x2s to 1x12 with glue and brad nails.



**2****Step 2**

Attach 2x4 legs to the assembled bottom shelf using 2 1/2" wood screws.

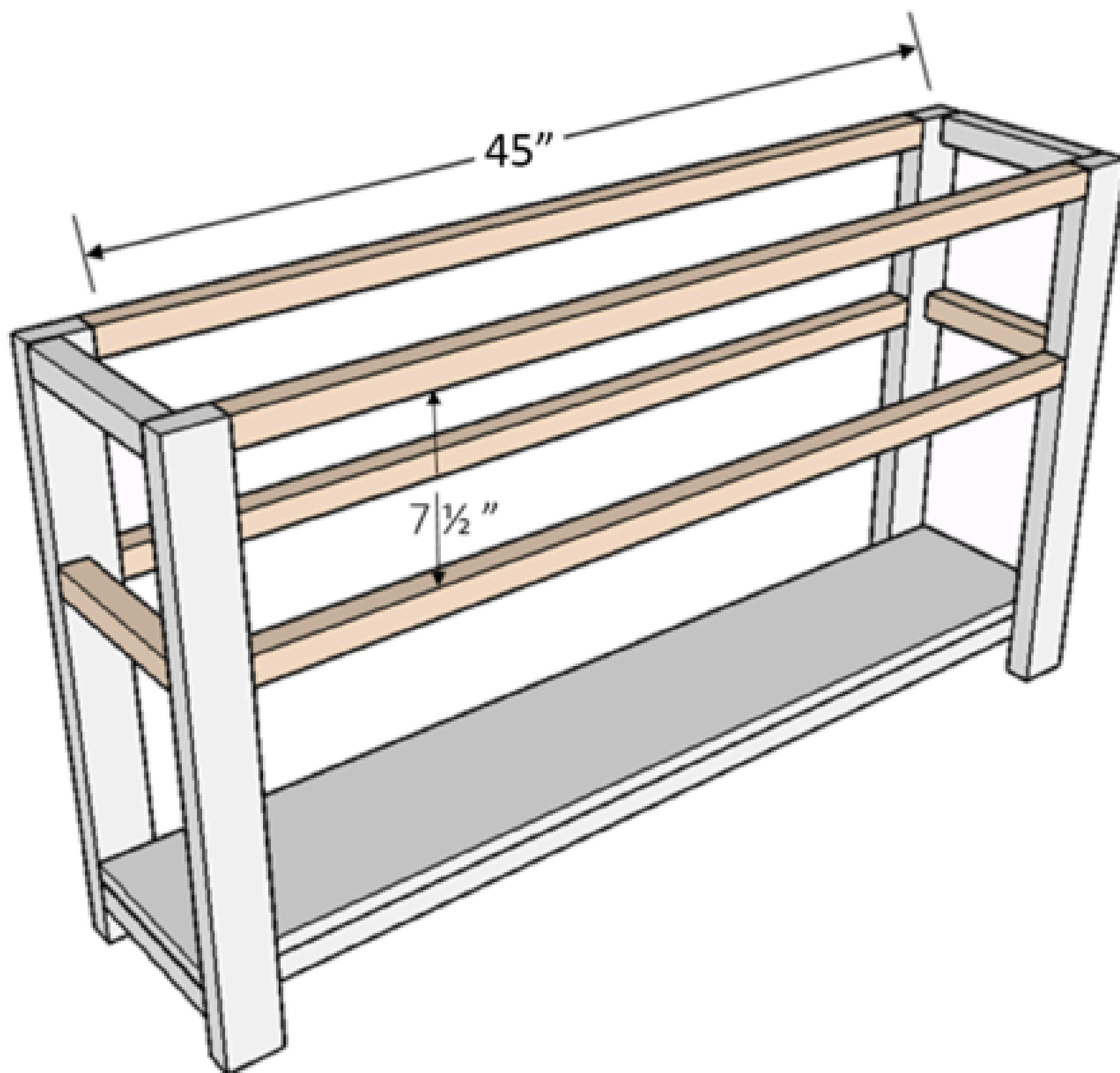
Lay two 2x4s on the ground and stand shelf upright to attach shelf to the legs. Screw underneath shelf. Flip shelf and attach the other two legs.



3

**Step 4**

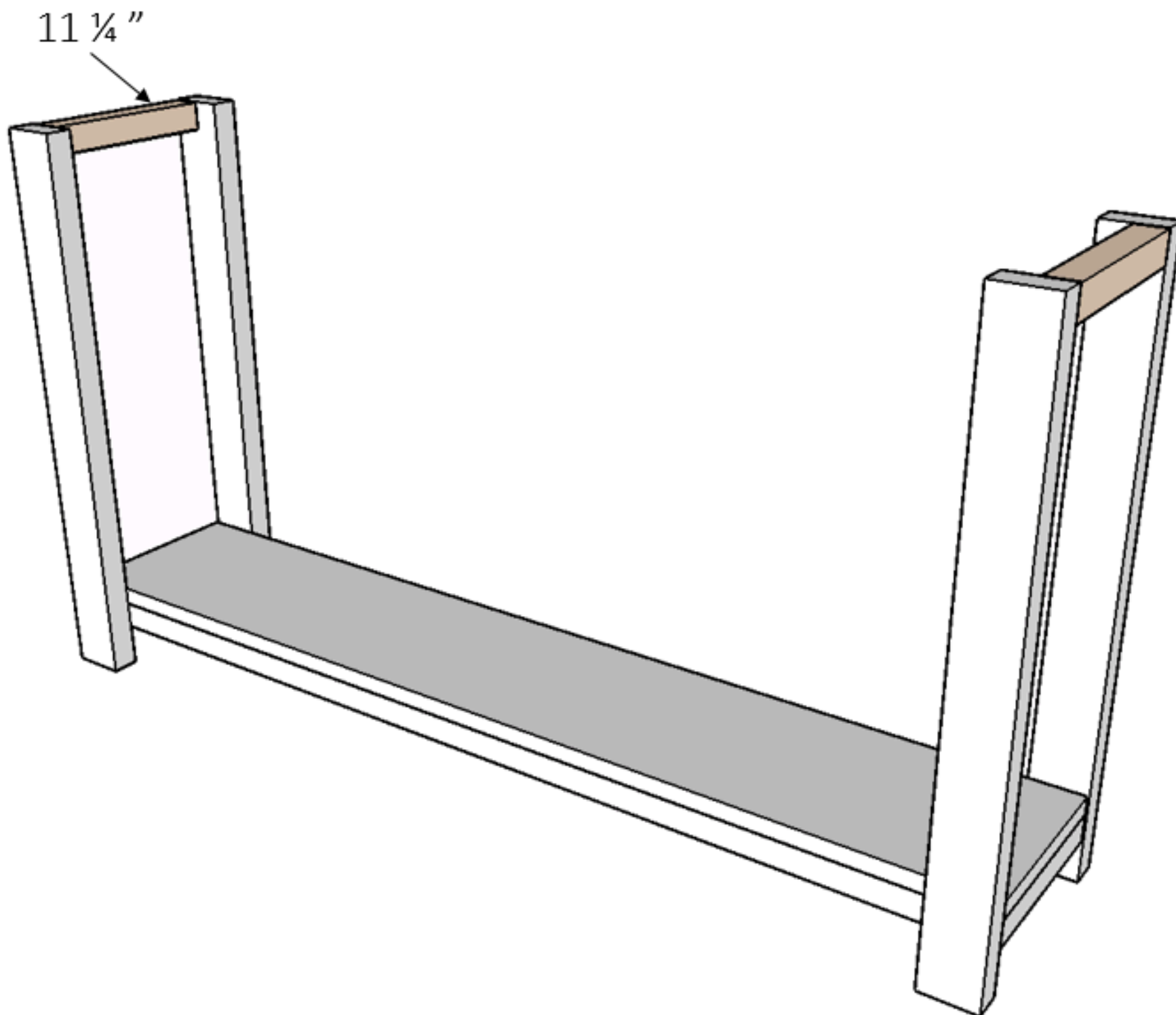
Attach 2x2 braces using a Kreg Jig on a 1 1/2" setting using 2 1/2" pocket hole screws. Be sure to measure 2x2 to the console before making cut.



4

**Step 3**

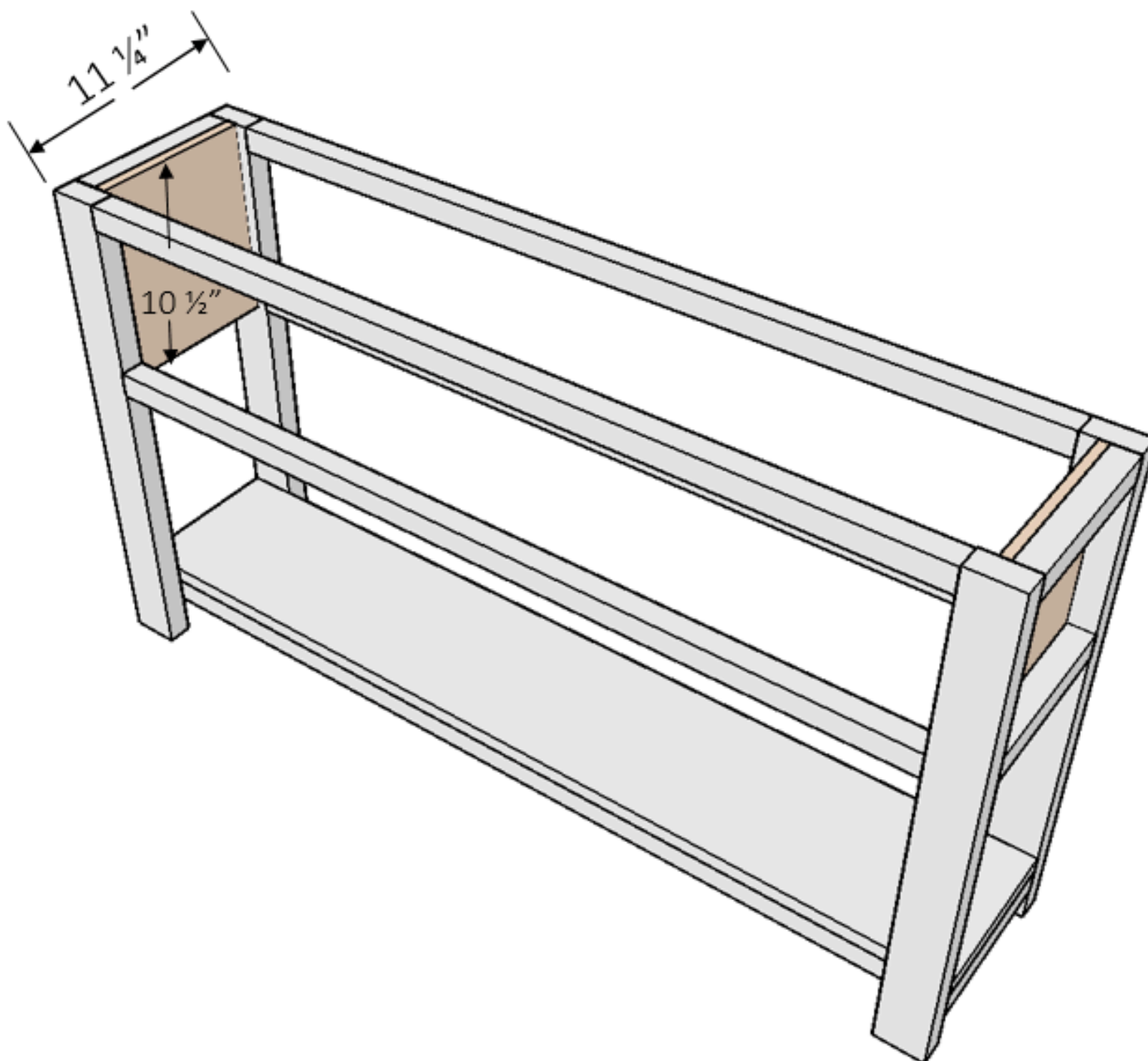
Attach 2x2 braces using a Kreg Jig on a 1 1/2" setting using 2 1/2" pocket hole screws. Be sure to measure 2x2 to the console before making cut.



5

**Step 5**

Attach 1x12 console sides and backing using glue and brad nails.

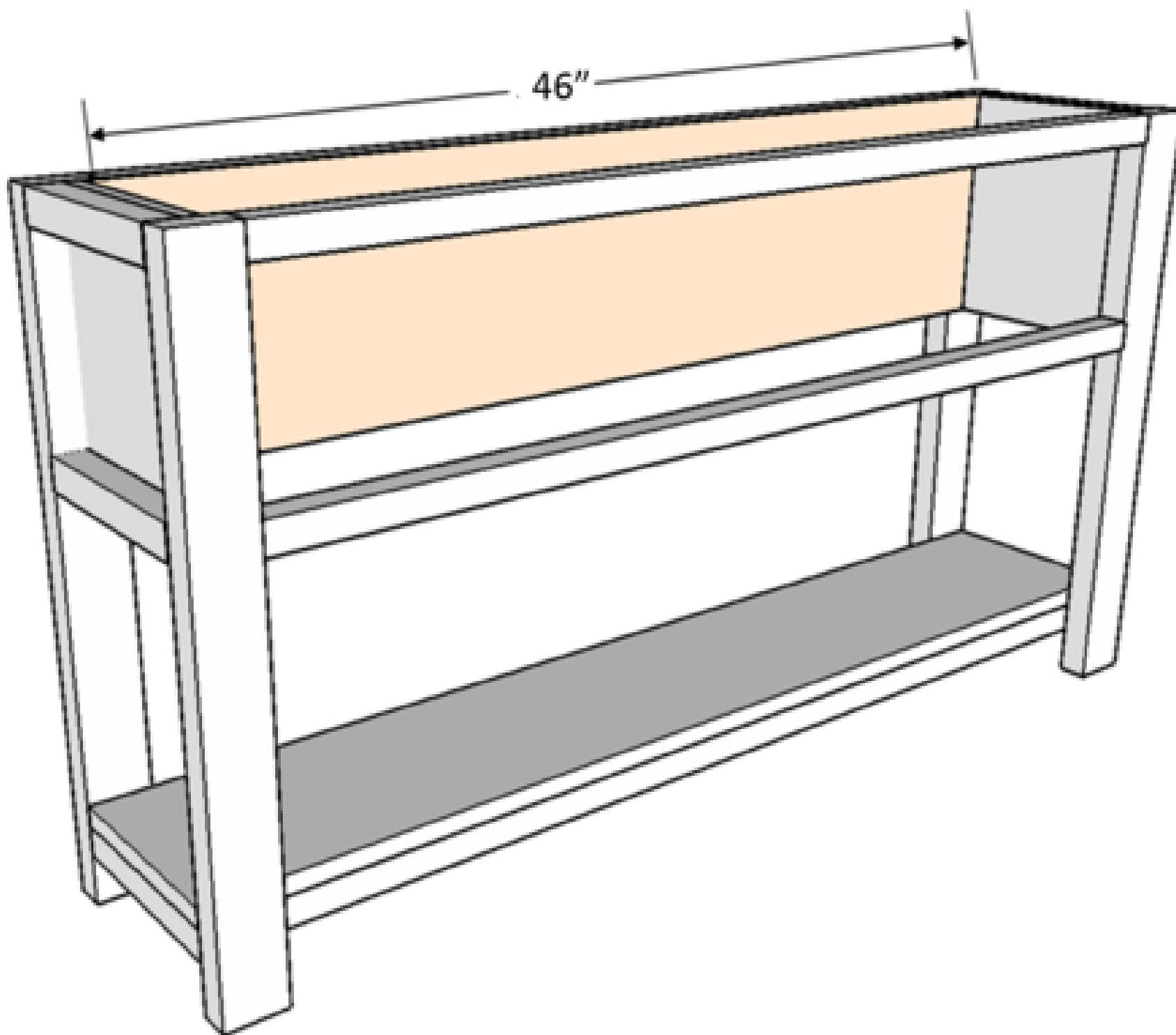




6

**Step 6**

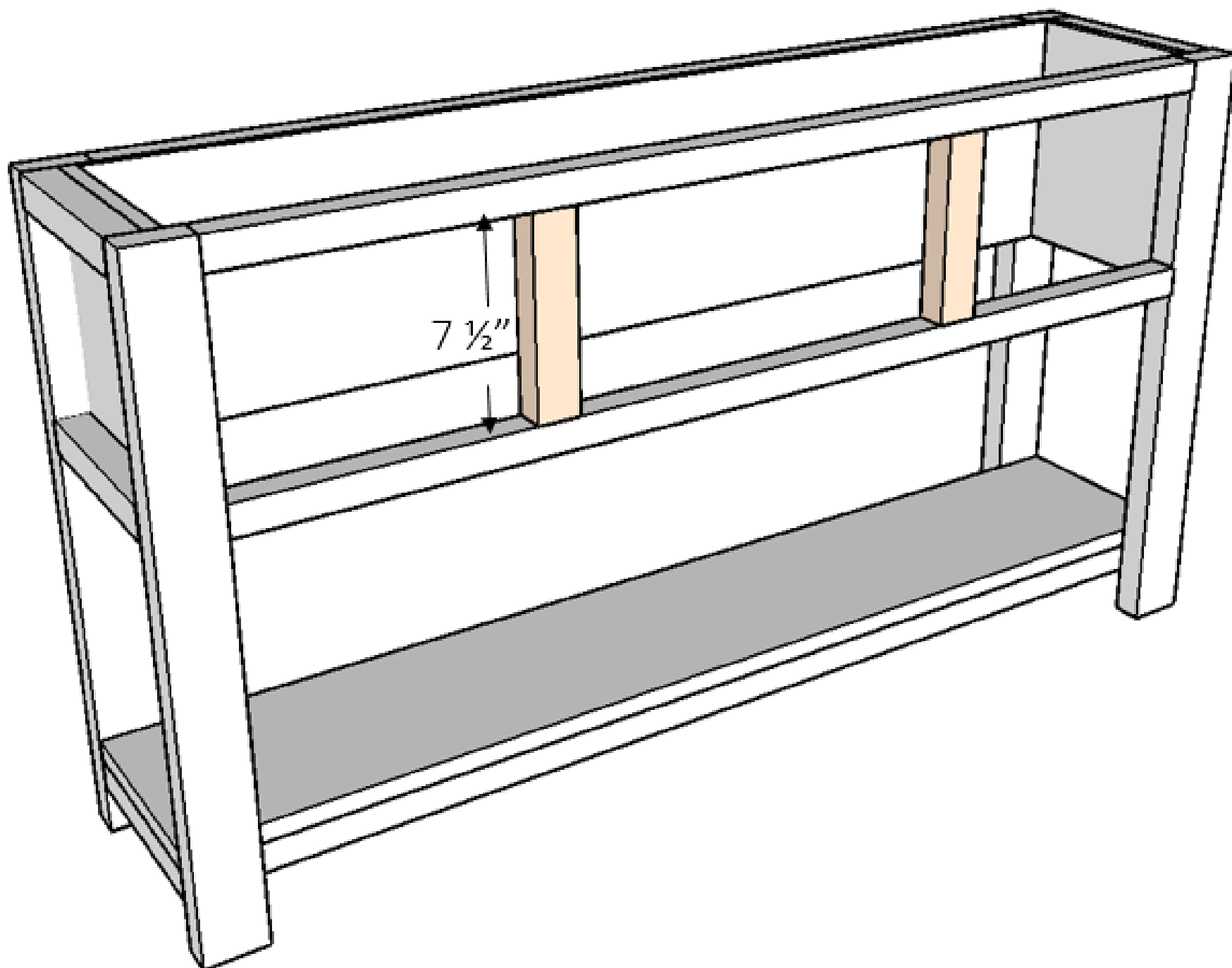
Attach 1x12 console sides and backing using glue and brad nails.



7

**Step 7**

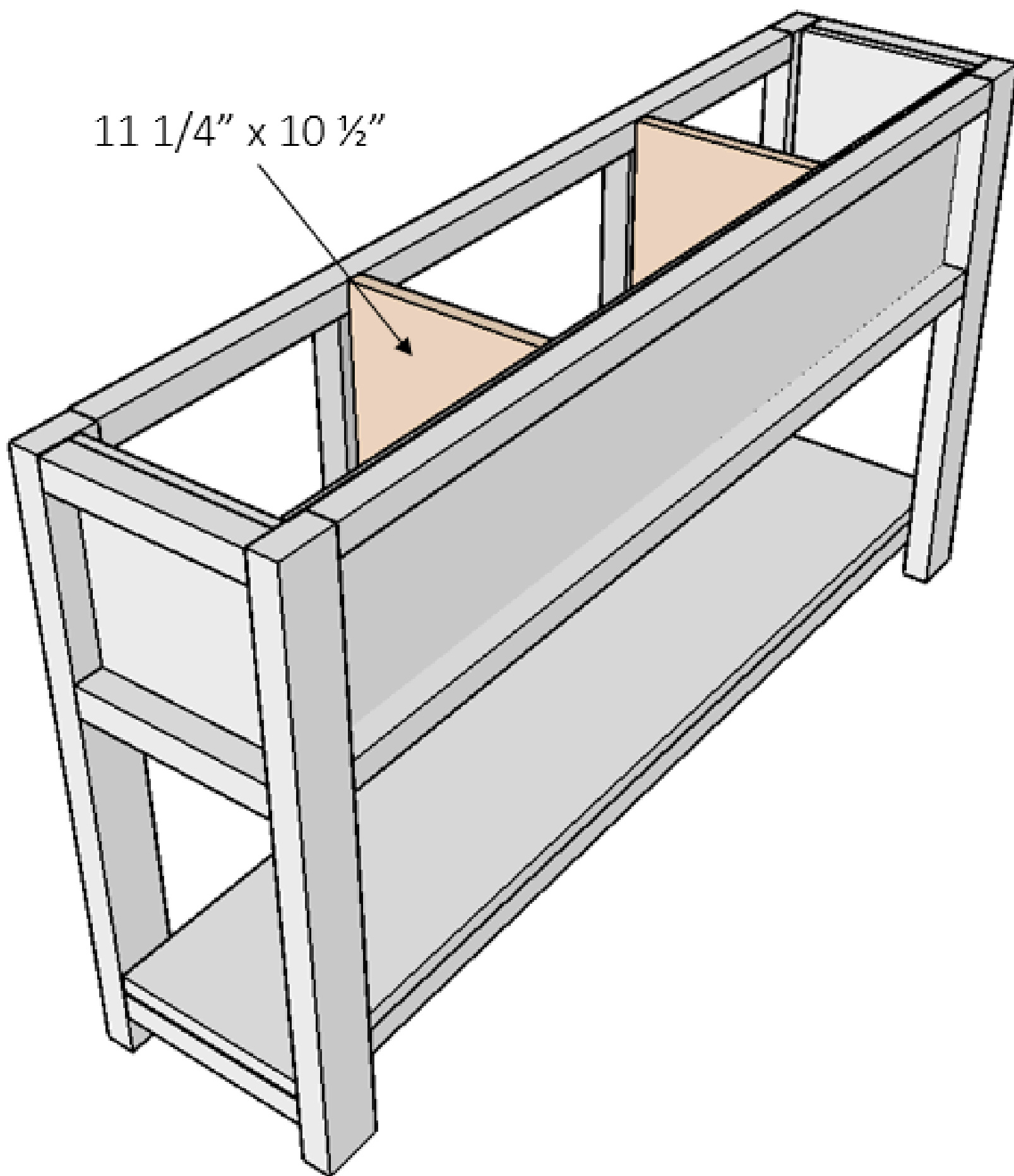
Attach front 2x2 braces using a Kreg Jig with a 1 1/2 setting and 2 1/2 pocket hole screws.



8

**Step 8**

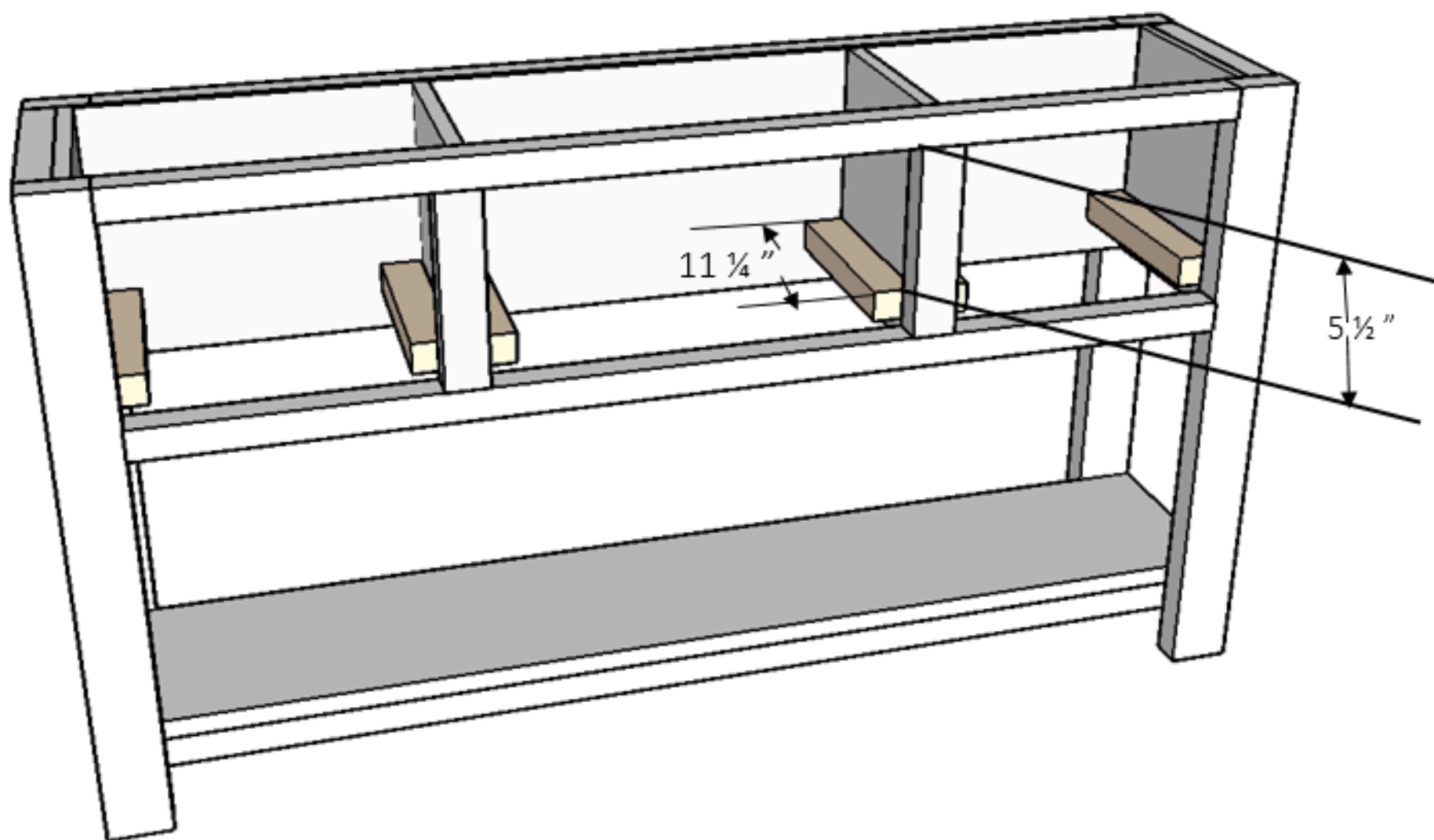
Add middle console sides using a Kreg Jig with a 1 1/2" setting using 2 1/2" pocket hole screws



9

**Step 9**

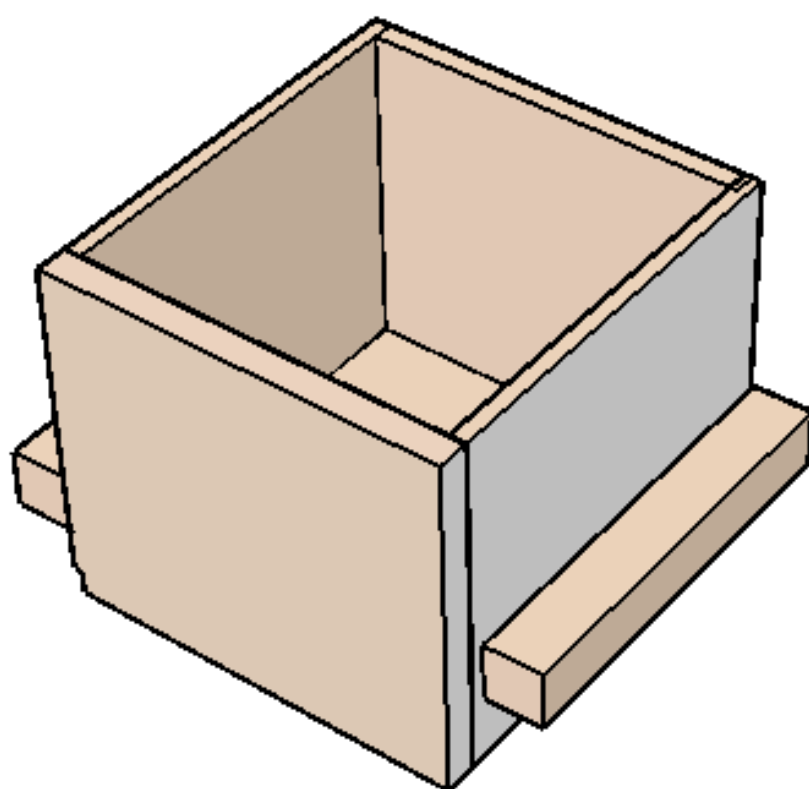
Add 2x2s for drawer slides using glue and brad nails.



**10****Step 10**

Assemble drawers using either glue and brad nails or with a kreg jig with a 1 1/2" setting and 2 1/2" pocket screws. Its best to measure the drawer to your console to determine what measurements you will need. Build your drawer to fit the opening.

Attach 1x2 cleats on side of each drawer (these will slide on the 2x2 cleats on the sides of the console) Make sure to leave 3/4" space for the drawer face.

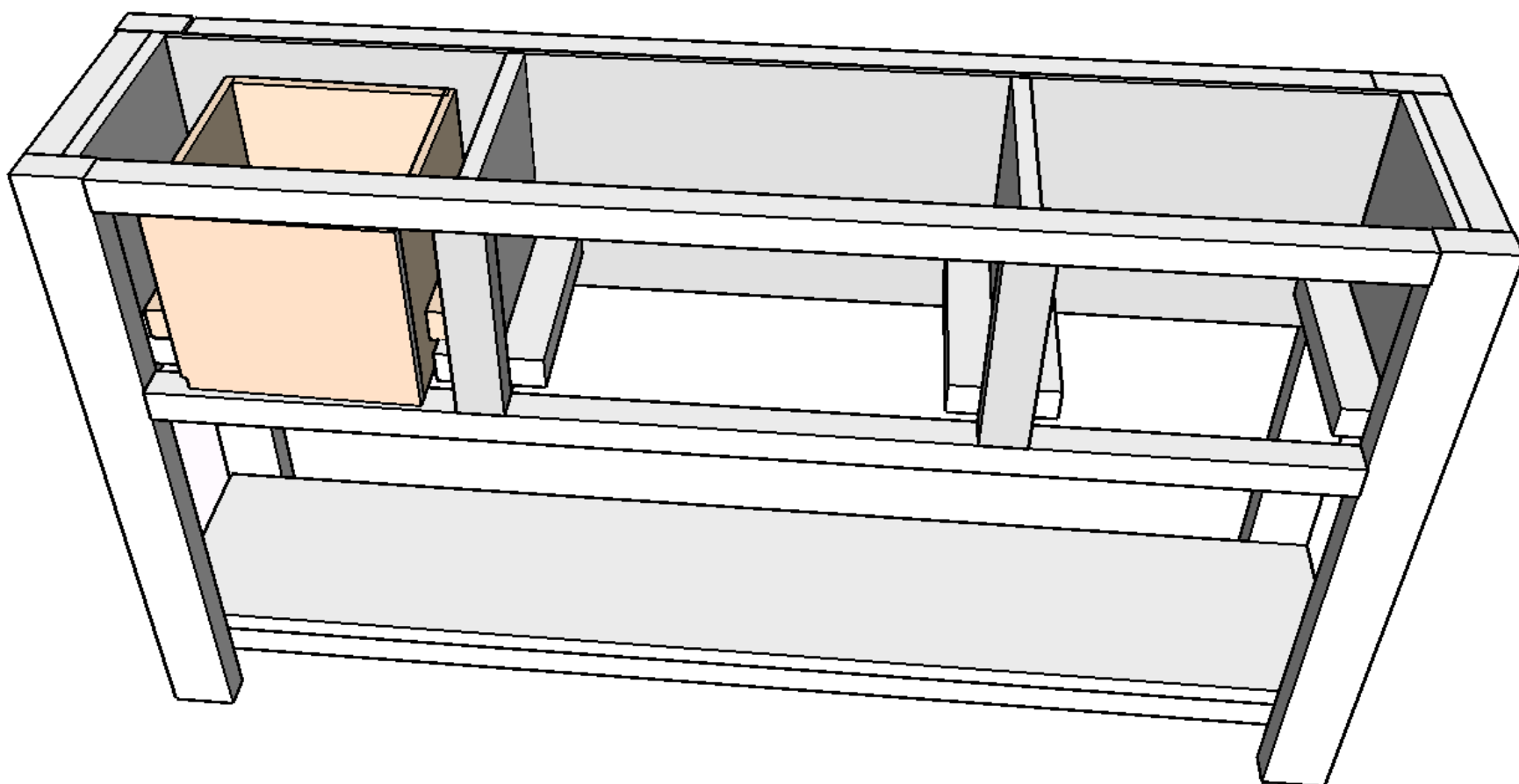


11

**Step 11**

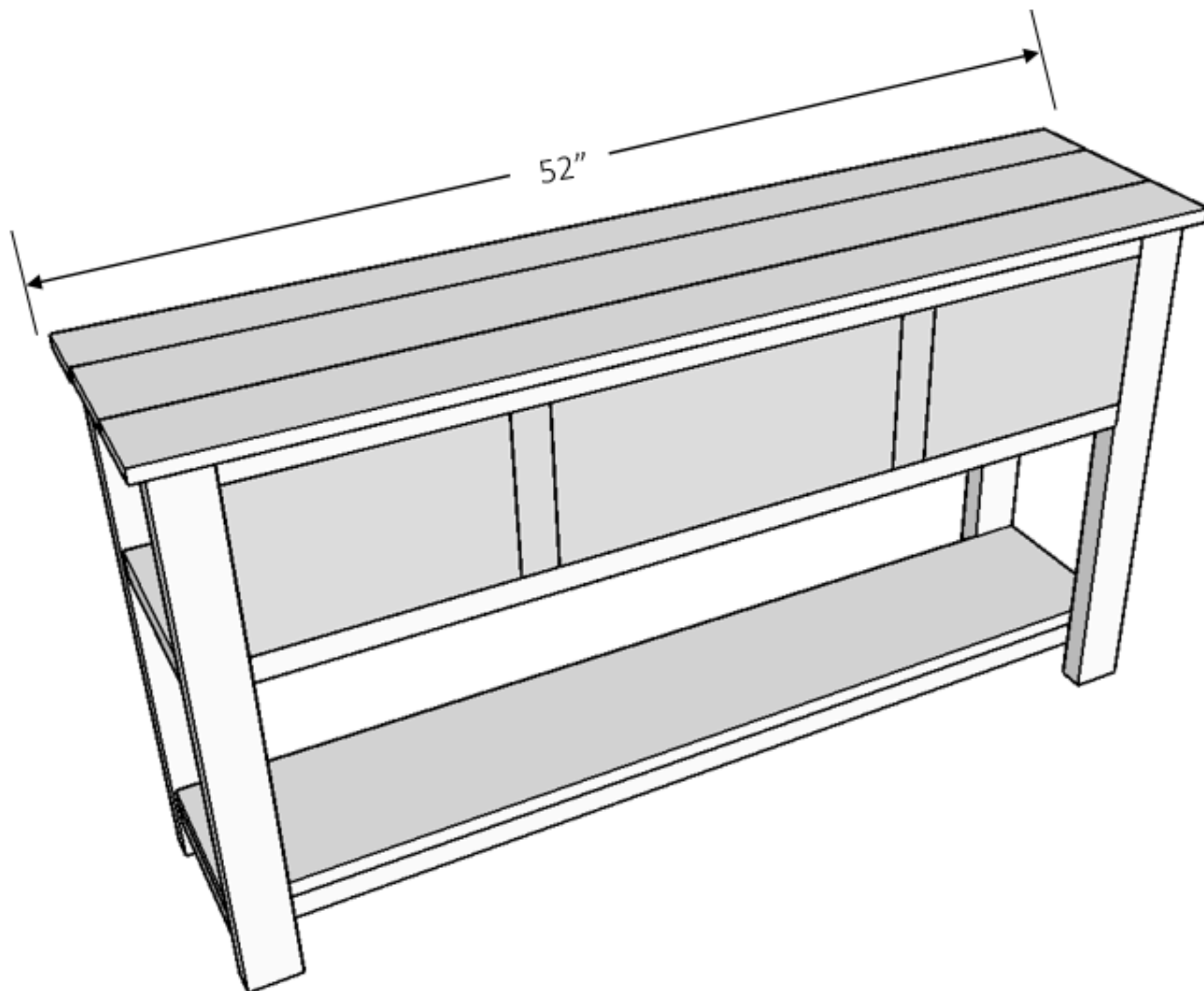
Attach Drawer Faces to drawers.

There should be 1/8" of space on each of the sides of the drawers face for easy operation of the drawers.



**12****Step 12**

Attach 2x6s together using a Kreg Jig with a 1 1/2" setting and 2 1/2" pocket hole screws and attach to console with wood screws through the sides of the 2x2s.



13

**Step 13**

Attach 2x2s to make Xs on the side of the console using glue and brad nails. It is best to measure and cut to fit the Xs perfectly.





14

Visit [Handmade-Haven.com](http://Handmade-Haven.com)

For more free plans, projects and more!

Visit [www.Handmade-Haven.com](http://www.Handmade-Haven.com)



*Handmade*  
**HAVEN**  
*“A Lasting Value”*