

Oakley Coffee Table

By **Smashing DIY**

Difficulty
Moderate

Dress up your living room with this Oakley coffee table featuring wood turned legs.



Tools

Kreg Tools



[Kreg® Pocket-Hole Jig 720](#)

Other Tools

Jointer

Miter Saw

Thickness Planer

Clamps

Drill (cordless)

Nail Gun

Sander

Materials

Wood Products

- 4 Osborne Wood Legs , 10"x4 7/8" , Coffee Table Size
- 2 Board , 2x6 , 96"
- 1 Board , 1x6 , 96"
- 2 Board , 2x6 , 120"
- 1 Board , 2x4 , 96"

Hardware & Supplies

- 1 2 1/2" Pocket Hole Screws Pack
- 1 3" Wood Screws Pack
- 1 2 1/2" Wood Screws Pack

Cut List & Parts

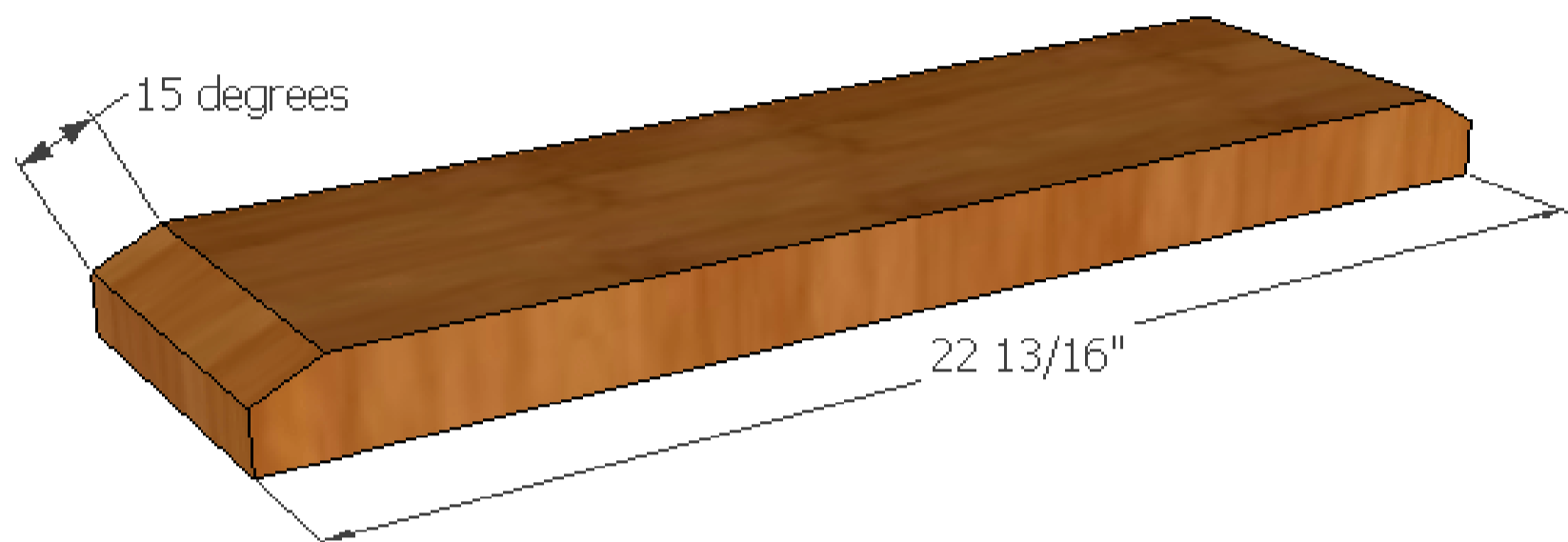
- 4 Footers (2x6) , 22 13/16"
- 2 Foot Pads (1x6) , 6"
- 4 Top For Footers (1x6) , 22 2/8"
- 4 Osborne Wood Legs , N/a
- 1 Middle Brace (2x6) , 35 3/8"
- 2 Top Braces (2x4) , 35 3/8"
- 2 Top Middle Braces (2x4) , 10"
- 5 Table Top (2x6) , 50"

Directions

1

Cut Coffee Table Footers

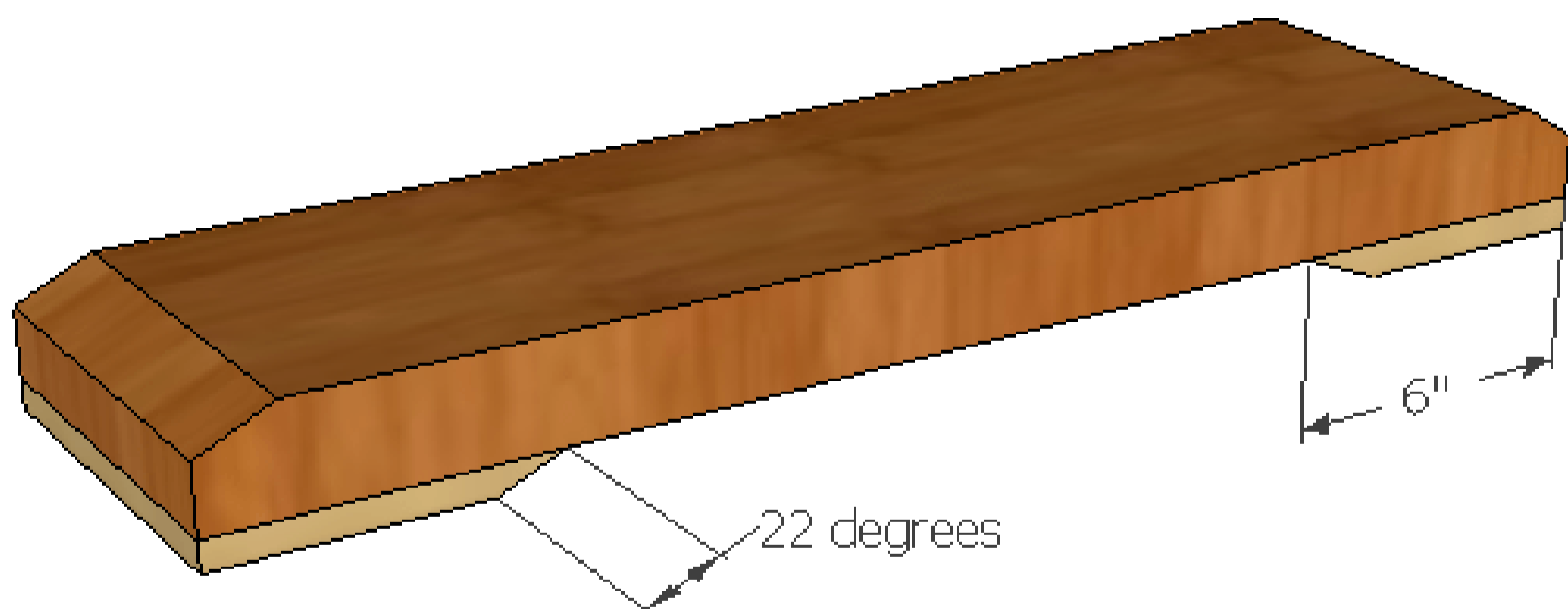
Cut the 2x6 coffee table footers down to size and miter off an angle of 15 degrees on the top. Make four of these.



2

Add Foot Pads

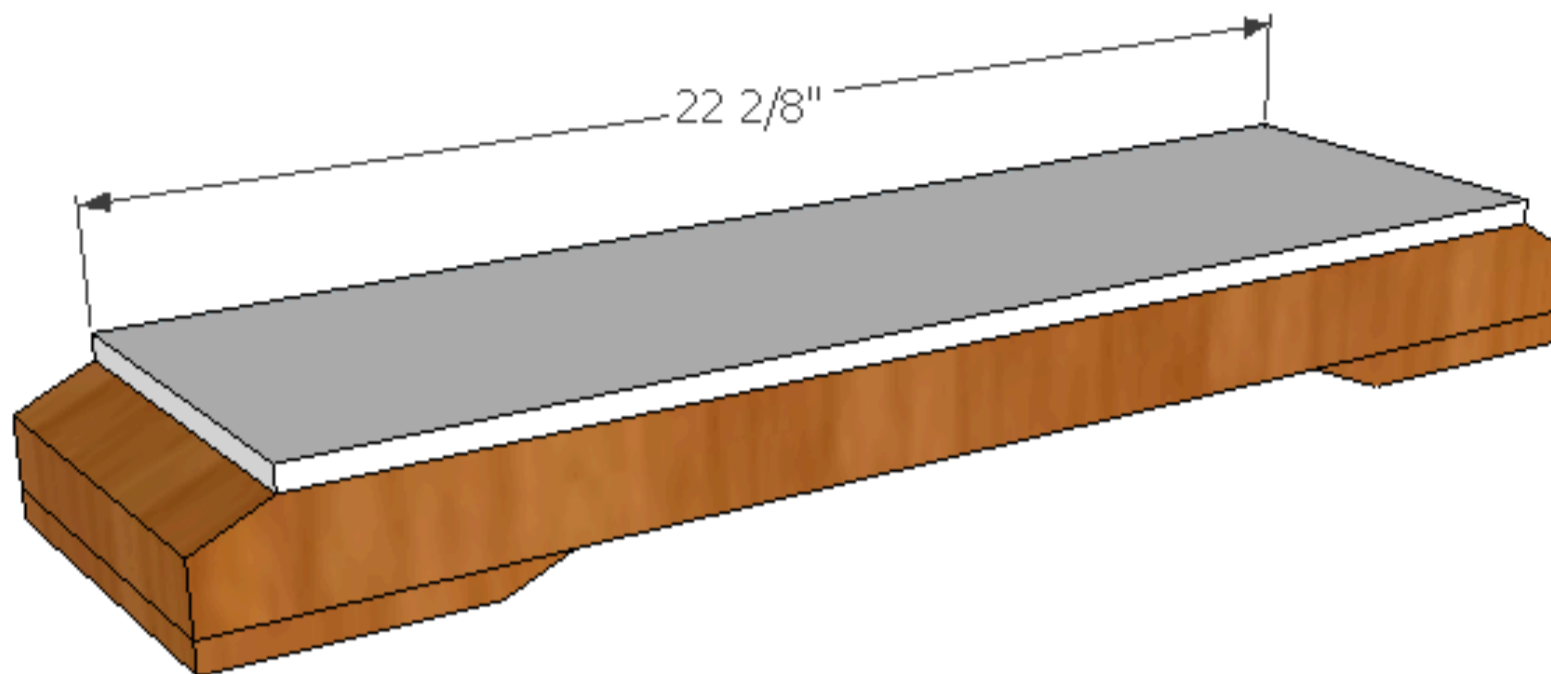
Add 1x6 foot pads to two of the coffee table footers using wood glue and a brad nailer with finish nails. The two footers with the footpads will be the footers to go on the bottom of the coffee table sides.



3

Add Top of Footer

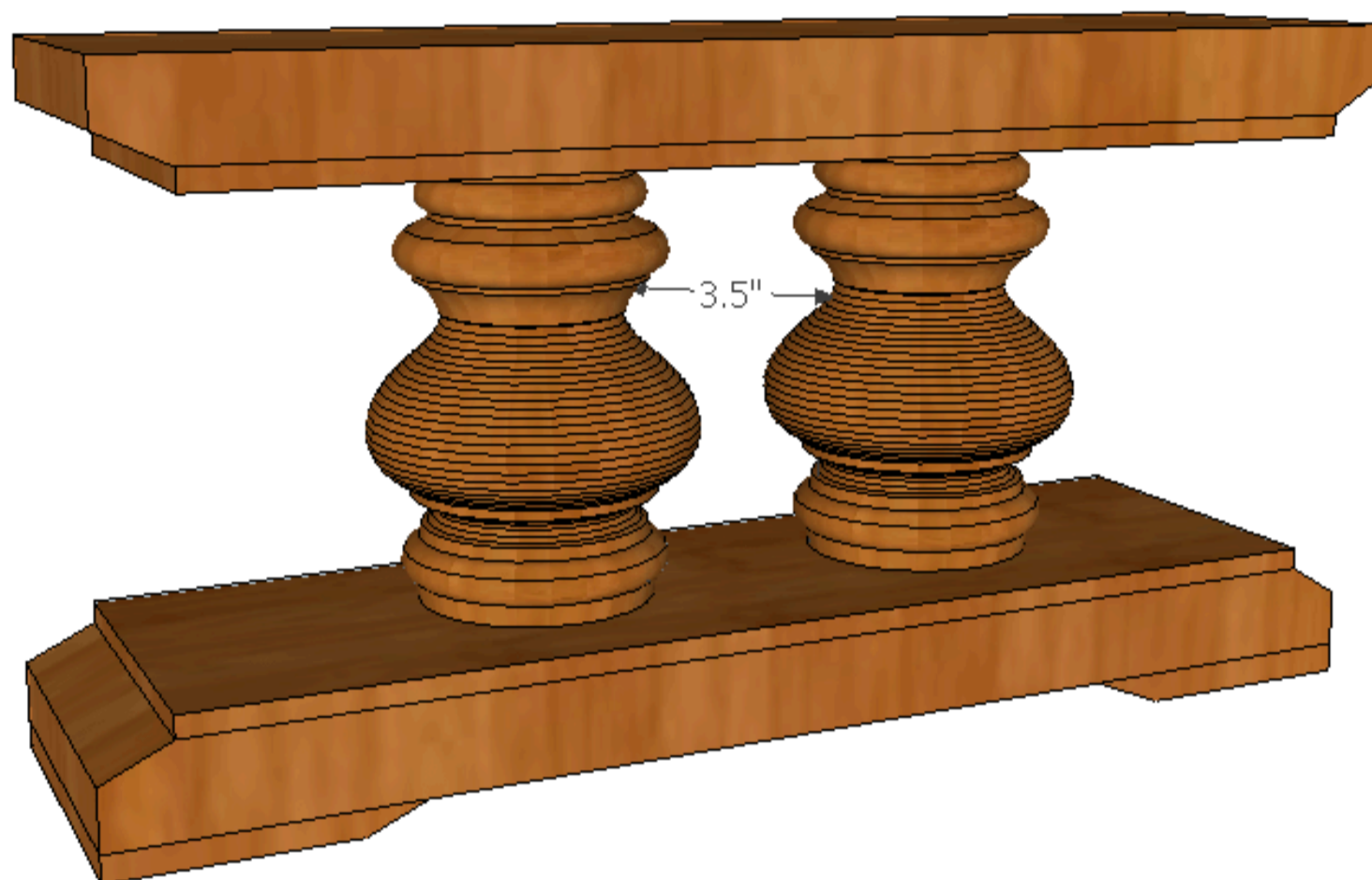
Add 1x6 top piece to all four footers using wood glue and a brad nailer with finish nails.



4**Add Osbourne Legs**

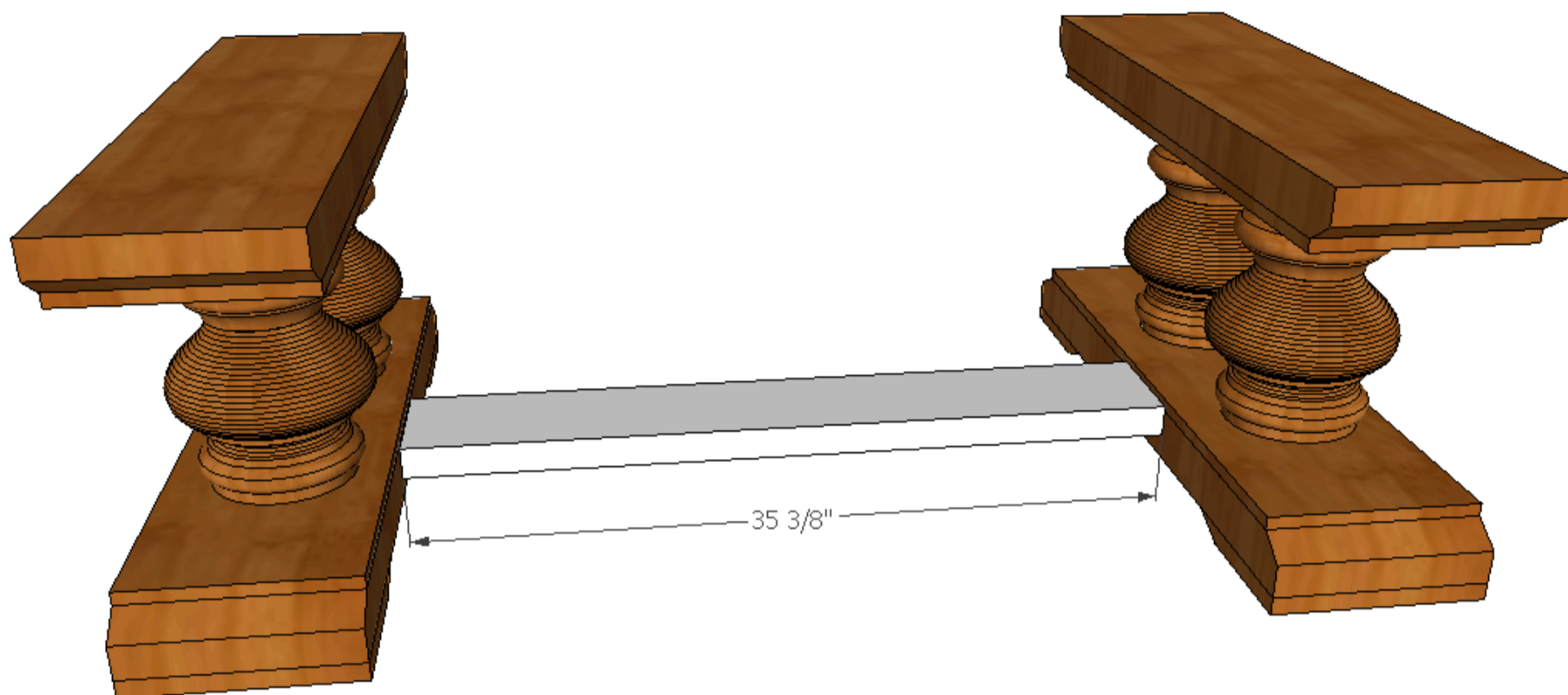
Attach the Osbourne legs first to the bottom footers using wood glue and a brad nailer with finish nails and then attach the top. Wood legs should be 3.5" a part. Once the legs are secure, place the coffee table sides into clamps and let them sit for at least 2 hours.

Do this for both sides.



5**Attach Middle Brace**

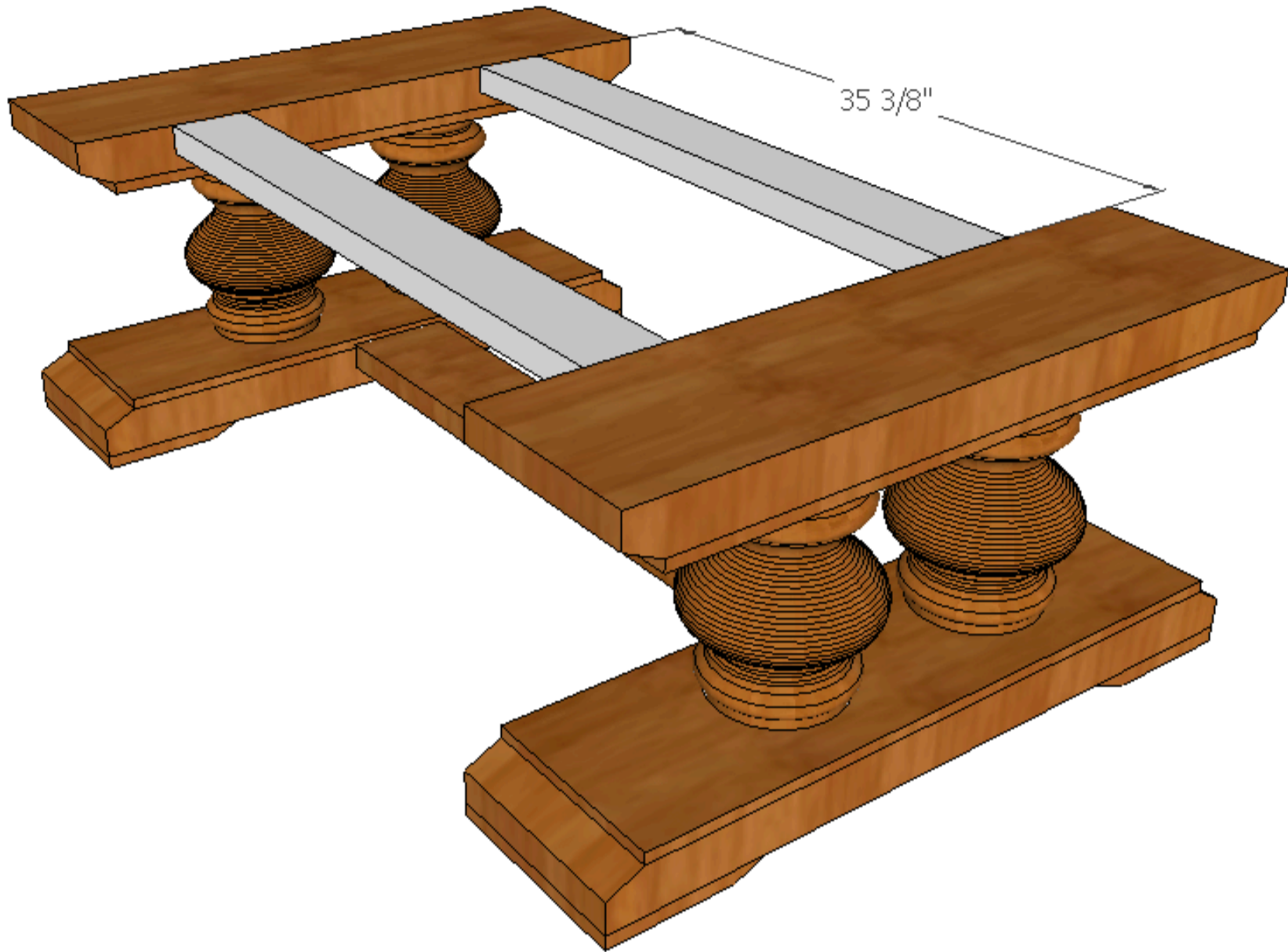
Add 2x6 middle brace to the coffee table sides using a Kreg Jig on a 1 1/2" setting using 2 1/2" pocket hole screws and wood glue. Kreg holes should be placed on the side of brace facing down.



6

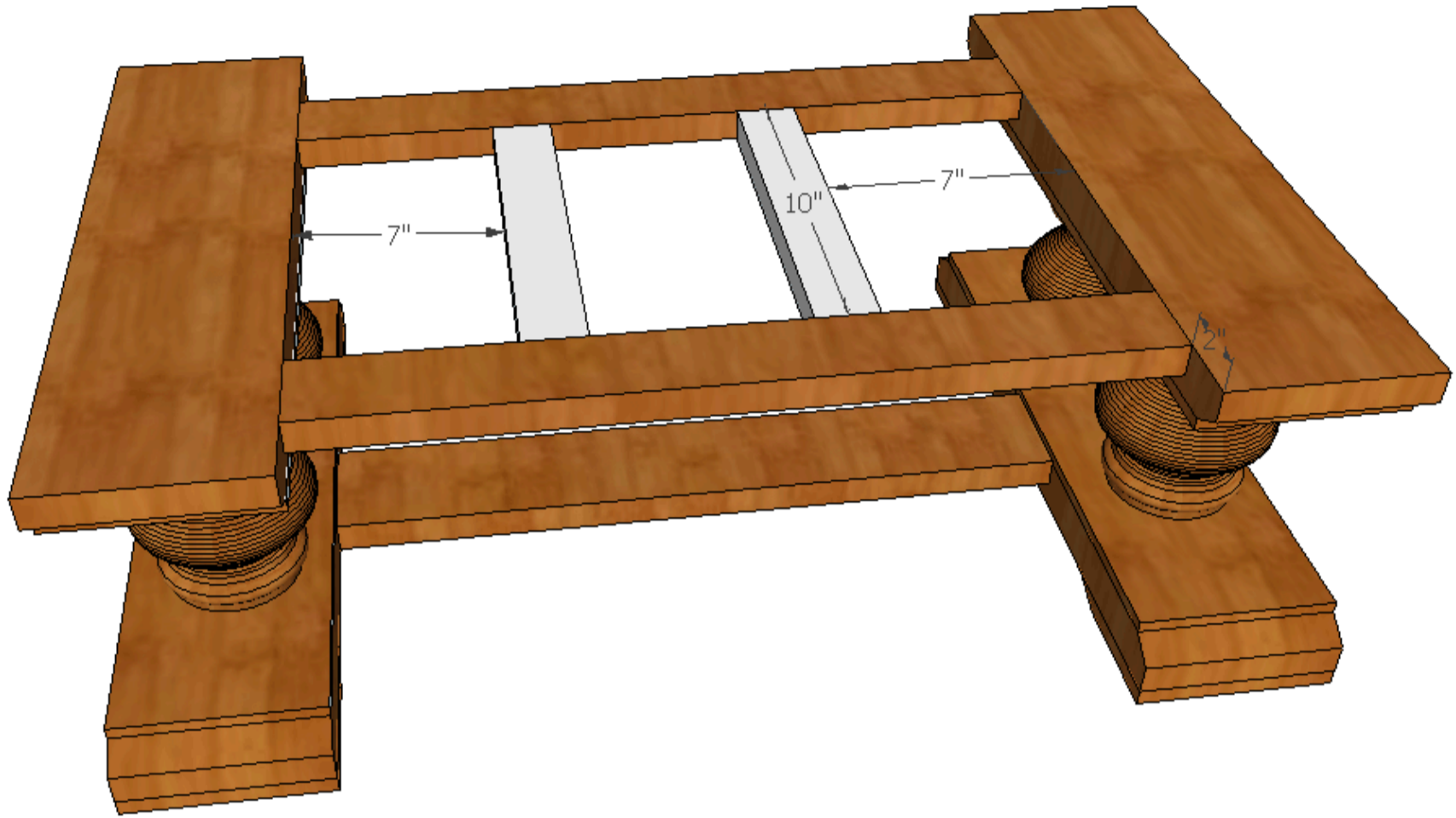
Attach Top Braces

Add 2x4 top braces to the coffee table sides using a Kreg Jig on a 1 1/2" setting using 2 1/2" pocket hole screws and wood glue. Kreg holes should be placed on the side of brace facing down.



7**Attach Top Middle Braces**

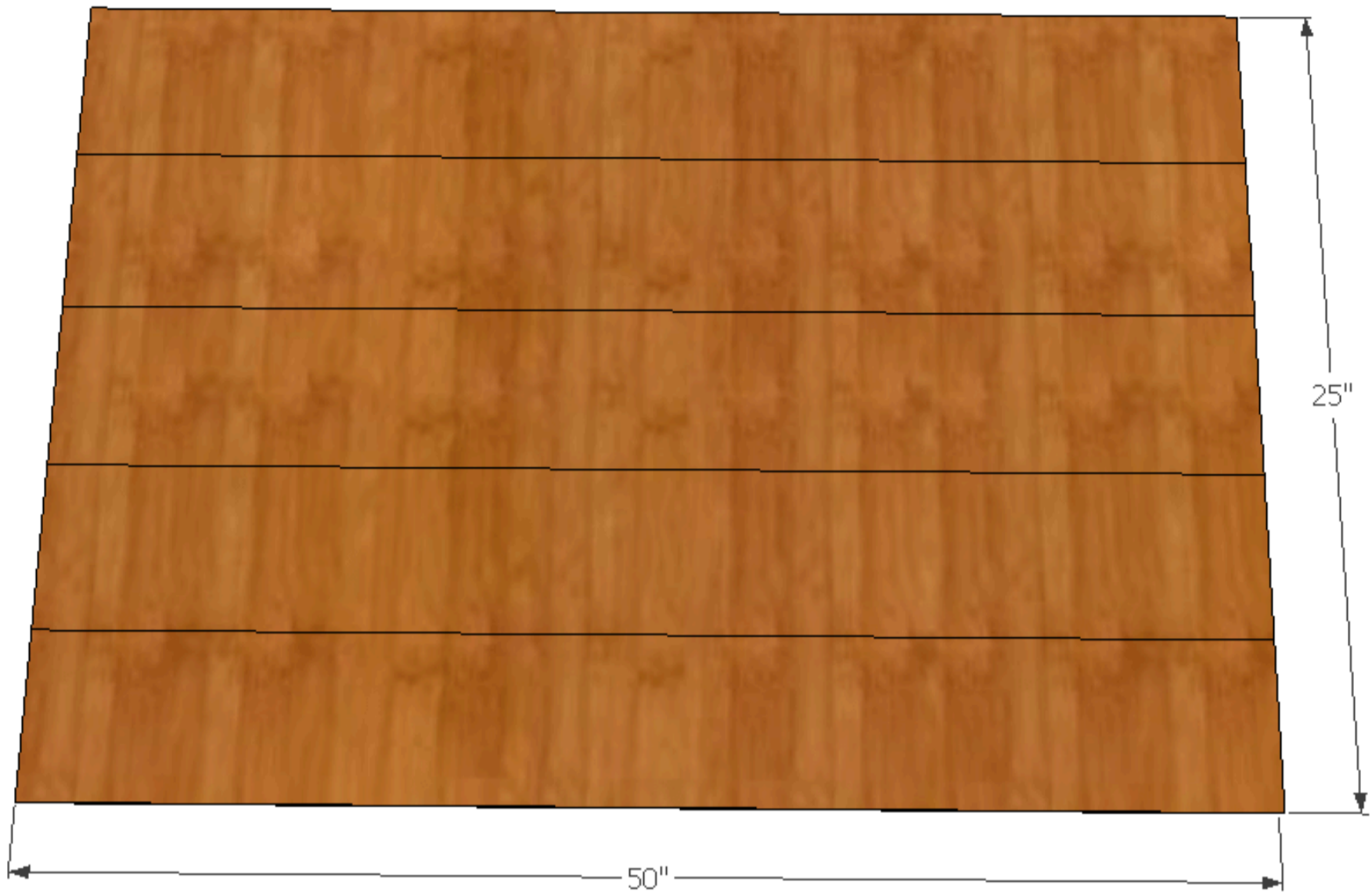
Attach the two 2x4 top middle braces using a Kreg Jig on a 1 1/2" setting using 2 1/2" pocket hole screws and wood glue. Kreg holes should be placed on the side of brace facing down.



8

Attach Coffee Table Top

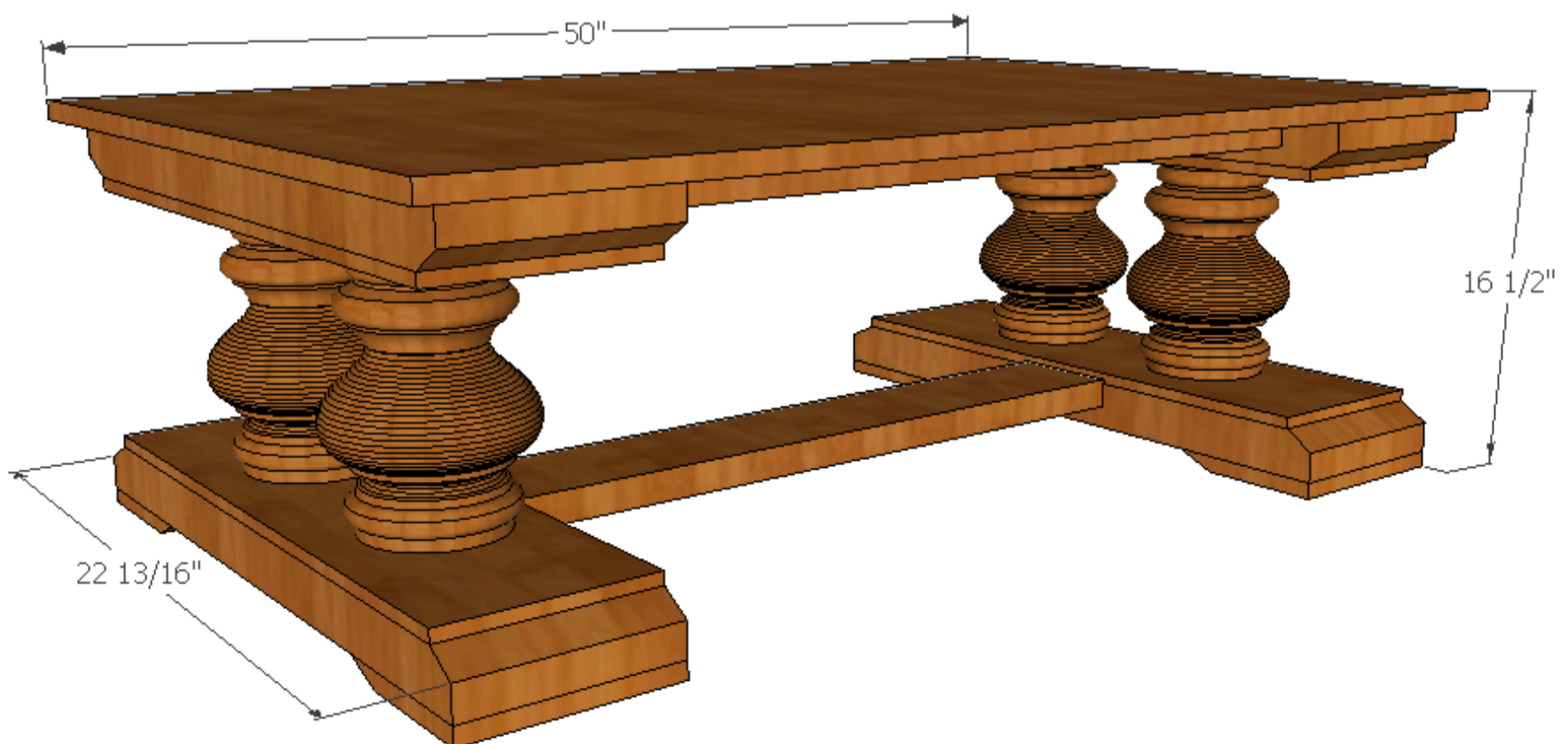
Assemble 2x6 coffee table top boards using wood glue, biscuits and a Kreg Jig on a 1 1/2" setting using 2 1/2" pocket hole screws and wood glue. 2x6s were put down to 5" each using a thickness planer and jointer.



9

Total Dimensions

The total dimensions for this coffee table are 50" L x 22 13/16 W x 16 1/2" H



10

Visit Handmade-Haven.com

Be sure to visit www.handmade-haven.com for other cool tutorials, plans and more!

Check out the photos for my process building the Oakley Coffee Table here!

<https://www.handmade-haven.com/blogs/news/diy-coffee-table>



11

Attach Table Top

Attach table top to the bottom of the coffee table using wood screws and wood glue. Use 2 1/2" screws to go through the middle braces and 3" to go through the footers.

