

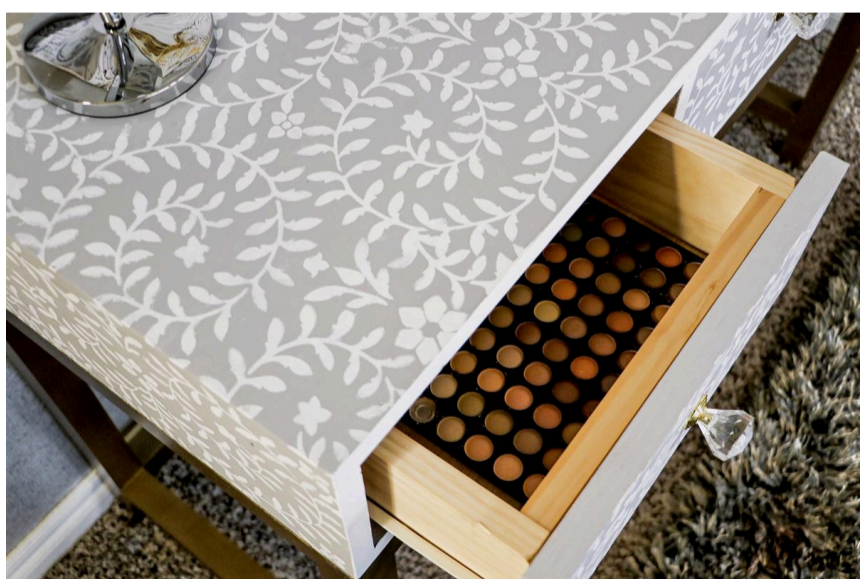
DIY Makeup Vanity Desk

By **Smashing DIY**

Difficulty

Advanced

Need a special place to get beautified? Build this DIY Makeup Vanity Desk to help get you ready for the day. This vanity desk is the perfect addition to your bedroom.



Tools

Kreg Tools



Accu-Cut™



Kreg® Pocket-Hole Jig 720

Other Tools

Miter Saw

Tape Measure

Drill (corded)

Sander

Materials

Wood Products

- 3 Board , 2x2 , 96"
- 1 Plywood , 3/4" Thick , Full Sheet
- 2 Board , 1x6 , 96"
- 4 Board , 1x3 , 96"
- 1 Plywood , 1/4" Thick , Half Sheet

Hardware & Supplies

- 1 Pack Of 1 1/4" Pocket Hole Screws
- 3 Drawer Knobs
- 1 Pack Of 2 1/2" Pocket Hole Screws

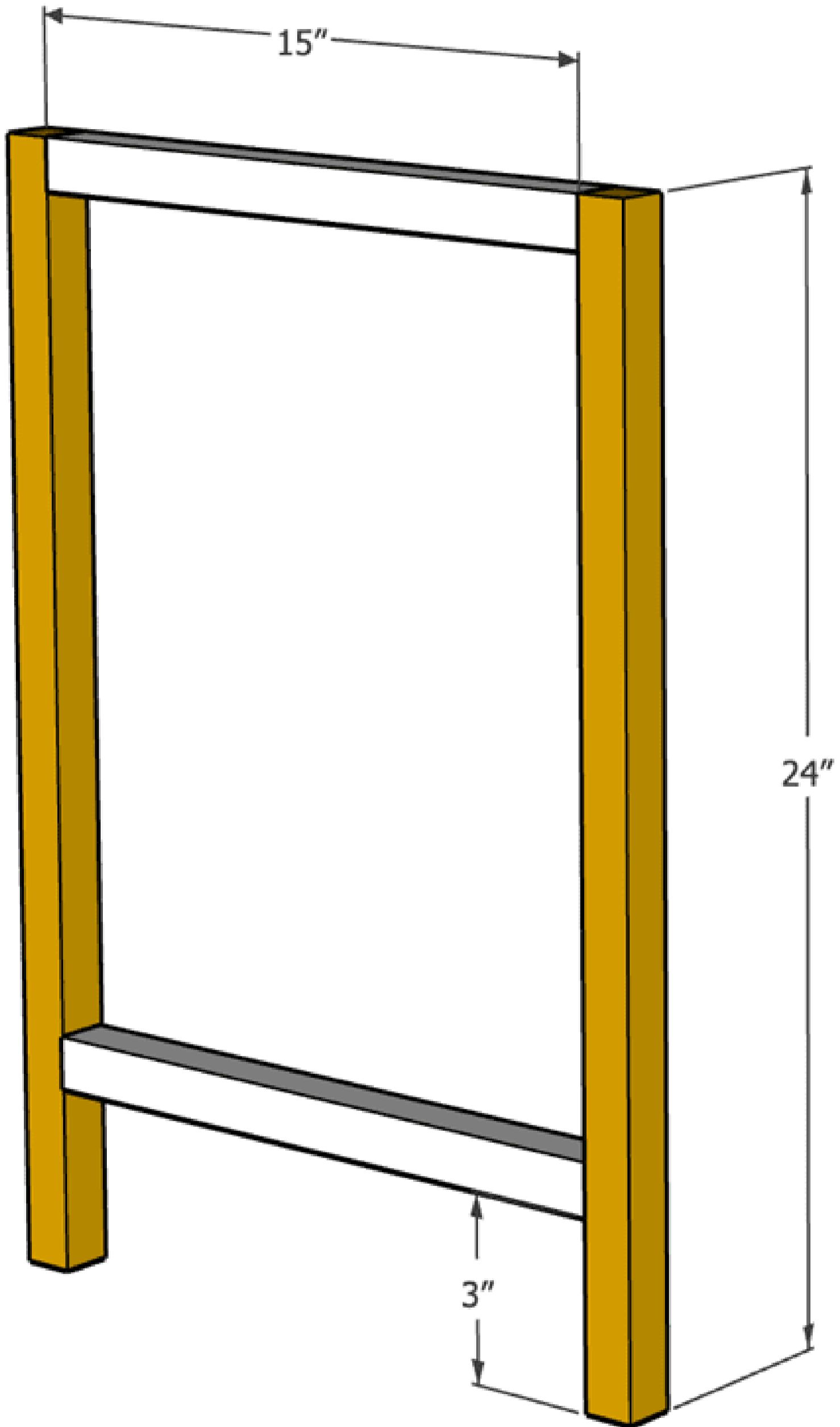
Cut List & Parts

- 4 Desk Legs , 24"
- 4 Desk Stretchers , 15"
- 3 Long Desk Stretchers , 38 1/2"
- 2 Table Top And Bottom , 18 X 41 1/2"
- 1 Table Top Back Support , 41 1/2"
- 4 Desk Top Dividers , 17 1/4"
- 6 Drawer Sides , 15 3/4"
- 4 Outer Drawer Fronts , 10 1/2"
- 2 Inner Drawer Fronts , 10"
- 2 Outer Drawer Backing , 12" X 15 3/4"
- 1 Inner Drawer Backing , 11 1/2" X 15 3/4"
- 2 Outer Drawer Fronts , 5 3/8" X 12 7/8"
- 1 Inner Drawer Front , 5 3/8" X 12 3/8"

Directions

1**Assemble Desk Legs**

Attach the (24") 2x2s to the (15") 2x2s using a Kreg Jig on a 1 1/2" setting, with 2 1/2" Pocket Hole Screws to attach along with Wood Glue. There should be a 3" spacing from the bottom of the floor to the bottom horizontal 2x2. Repeat this step for the other side of the desk. Note: The pocket holes on the 2x2s should face down on the bottom 2x2 and up on the top 2x2.

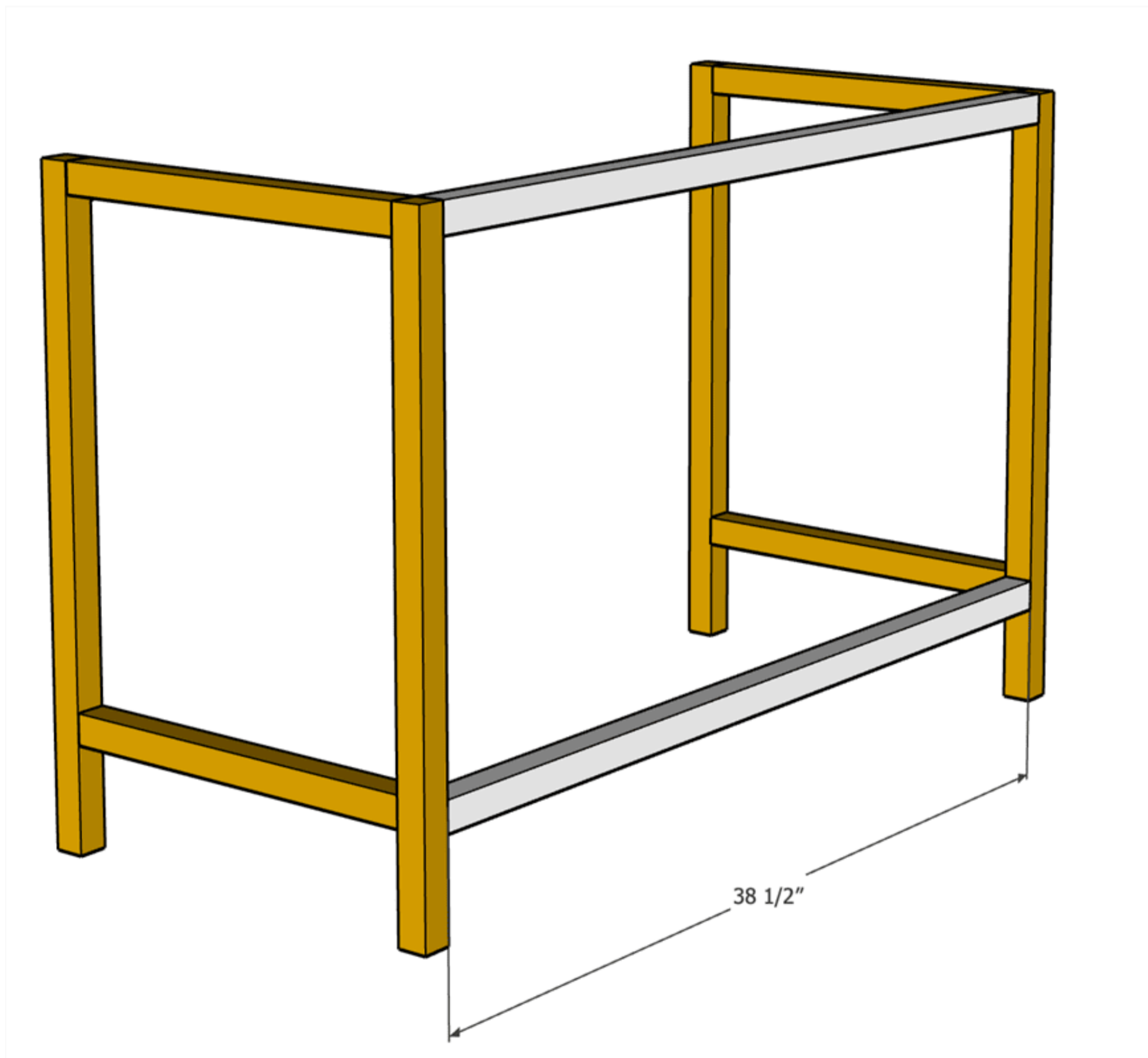


2**Attach Desk Legs**

Attach the (38 1/2") 2x2 to the two assembled desk sides using a Kreg Jig on a 1 1/2" setting, with 2 1/2" Pocket Hole Screws to attach along with Wood Glue.

There should be a 3" spacing from the bottom of the floor to the bottom horizontal 2x2.

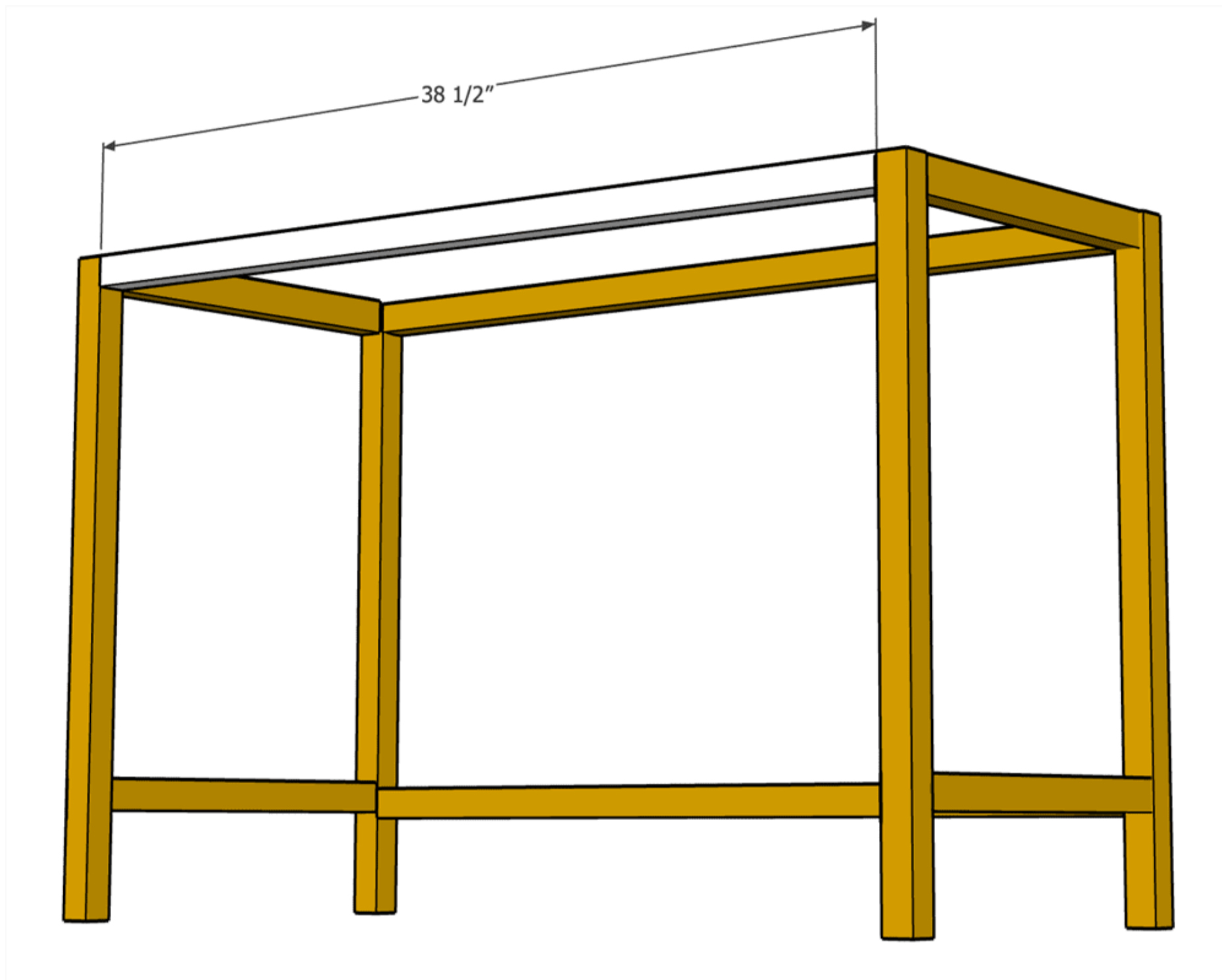
Note: The pocket holes on the 2x2s should face down on the bottom 2x2 and up on the top 2x2.



3**Attach Front Stretcher**

Attach the (38 1/2") 2x2s to the assembled desk base using a Kreg Jig on a 1 1/2" setting, with 2 1/2" Pocket Hole Screws to attach along with Wood Glue.

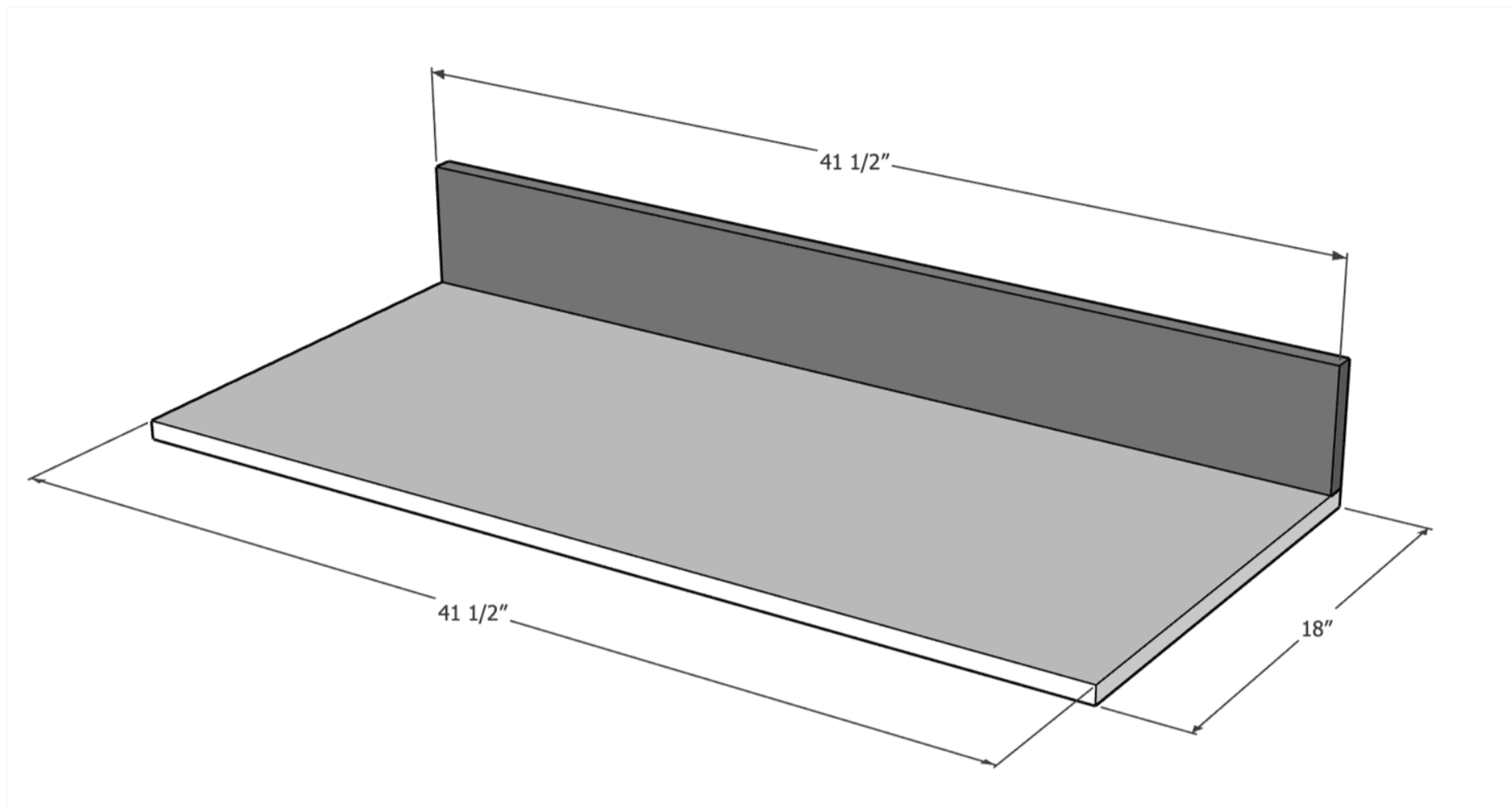
Note: The pocket holes on the 2x2s should be facing up.



4**Assemble Desk Top**

Attach the (41 1/2") 1x6 to the (18"x 41 1/2") plywood board using a Kreg Jig on a 3/4" setting, with 1 1/4" Pocket Hole Screws to attach along with Wood Glue.

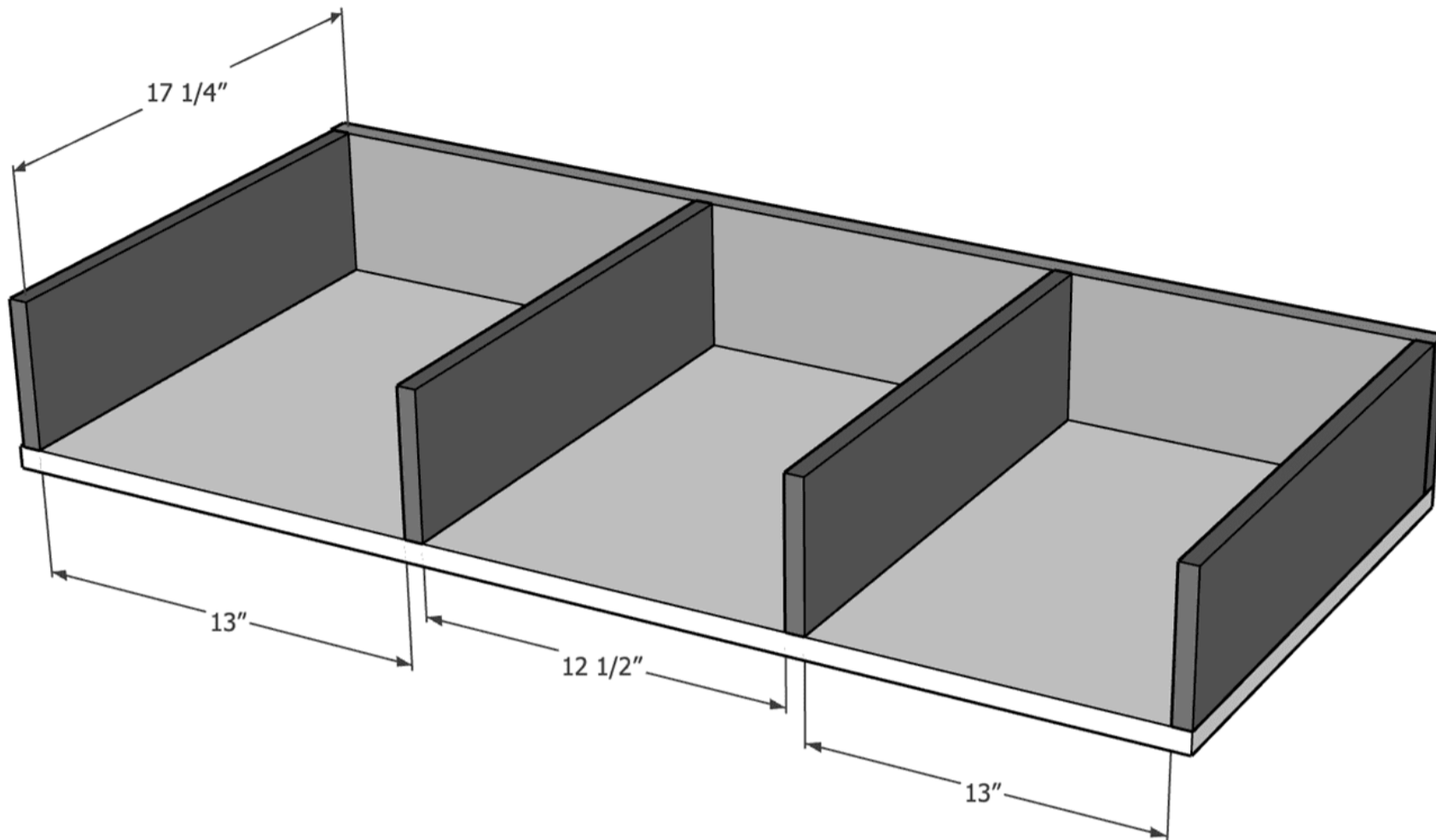
The 1x6 should be flush with the back of the plywood board.



5**Add Desktop Dividers**

Attach the (17 1/4")1x6 dividers to the plywood sheet using a Kreg Jig on a 3/4" setting, with 1 1/4" Pocket Hole Screws to attach along with Wood Glue.

The two outer spacings should measure 13" and the middle spacing should measure 12 1/2".



6

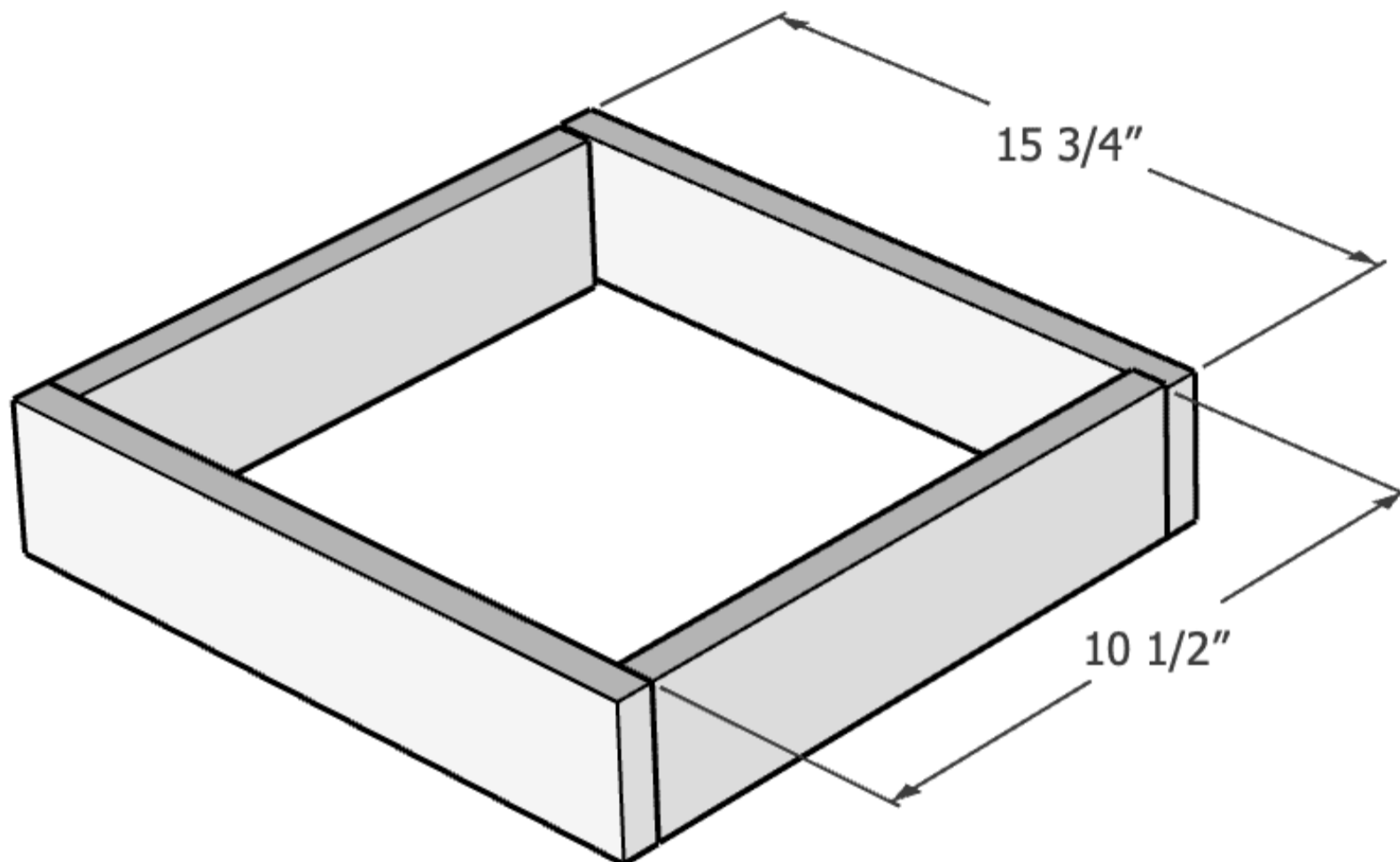
Add in Drawer Slides

Add in 12 in. Drawer slides to the three openings. Drawer slides should be inset 3/4".



7**Build Outer Drawer Frame**

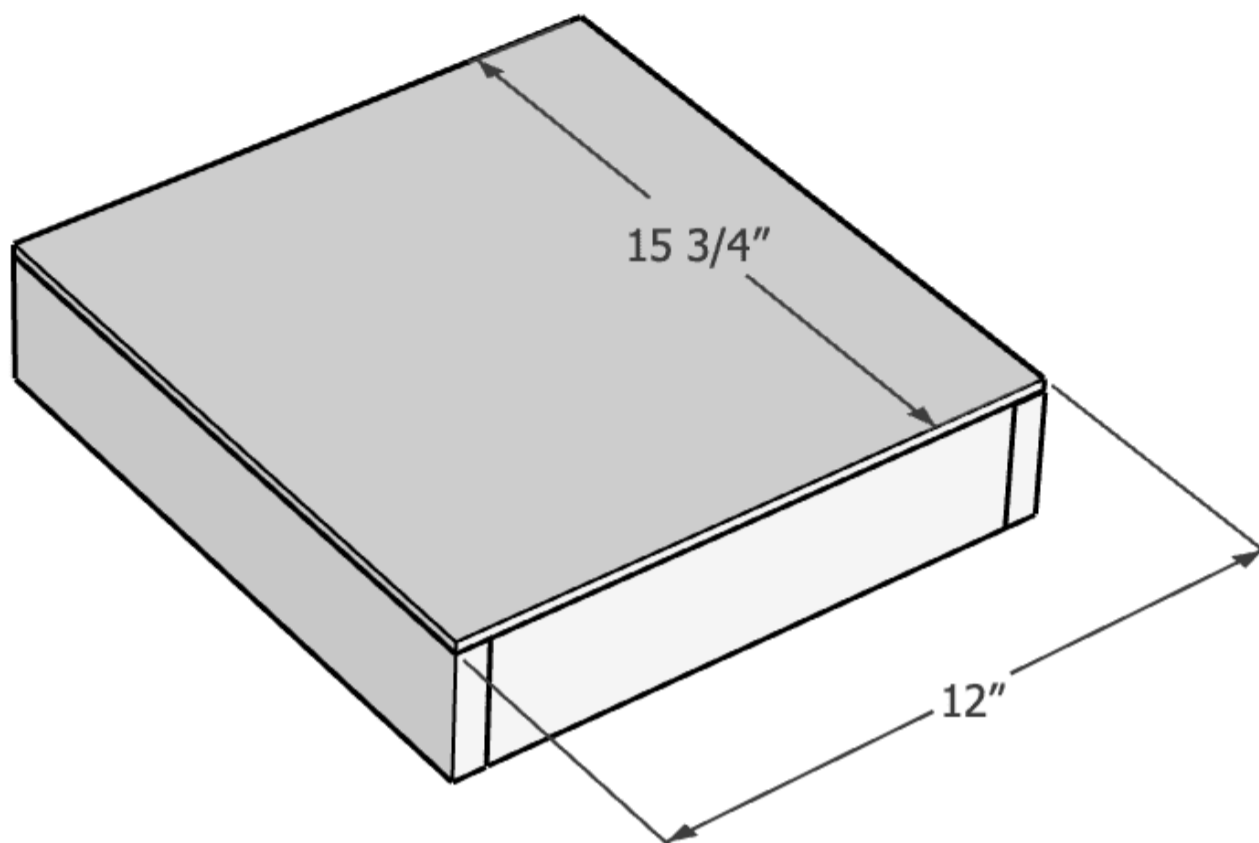
Attach the (15 3/4") 1x3 to the (10 1/2") 1x3 using a Kreg Jig on a 3/4" setting, with 1 1/4" Pocket Hole Screws to attach along with Wood Glue.



8

Attach Outer Drawer Backing

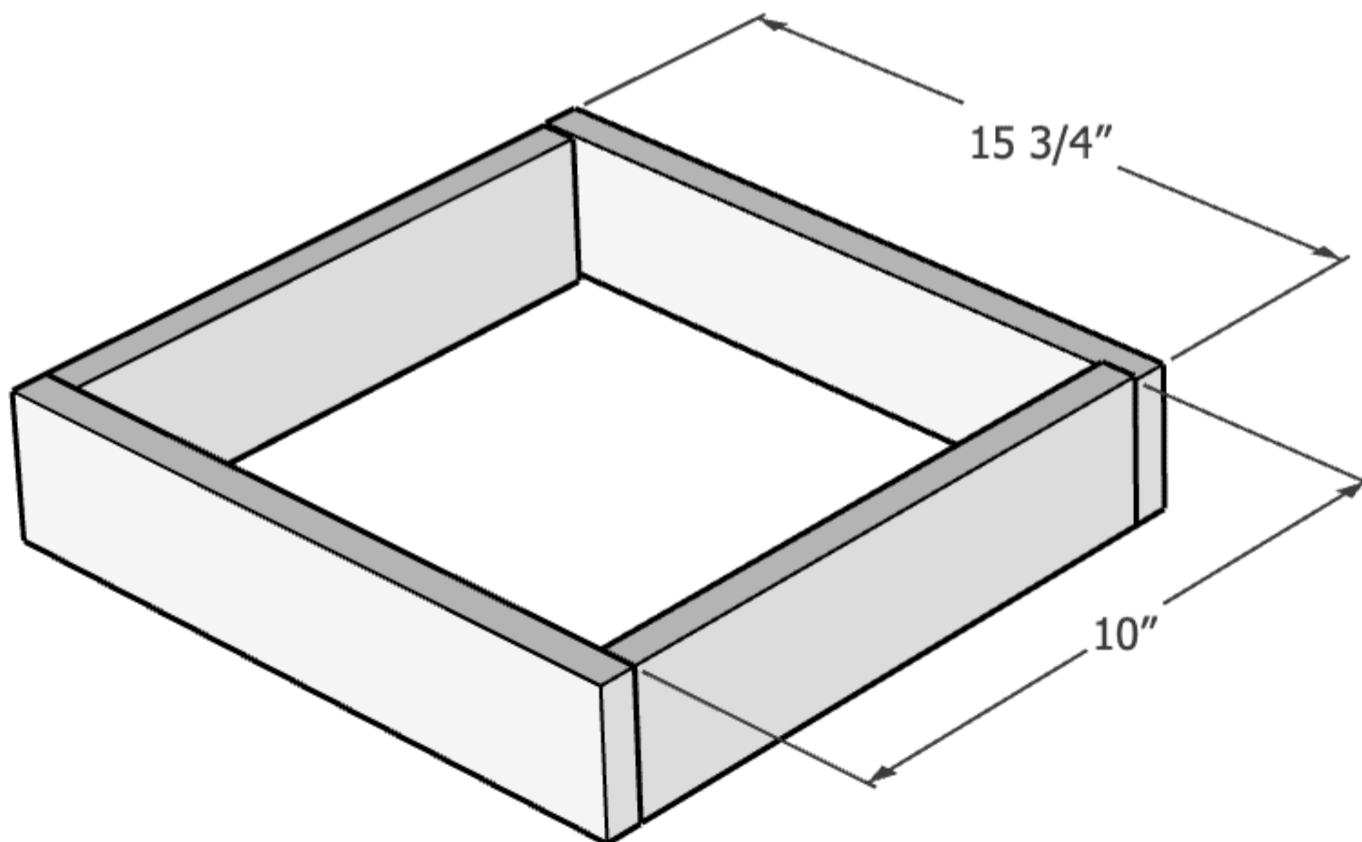
Attach the (11 1/2 x 15 3/4") backing to the bottom of the drawer with a staple gun and 1" staples.



9

Build Inner Drawer Frame

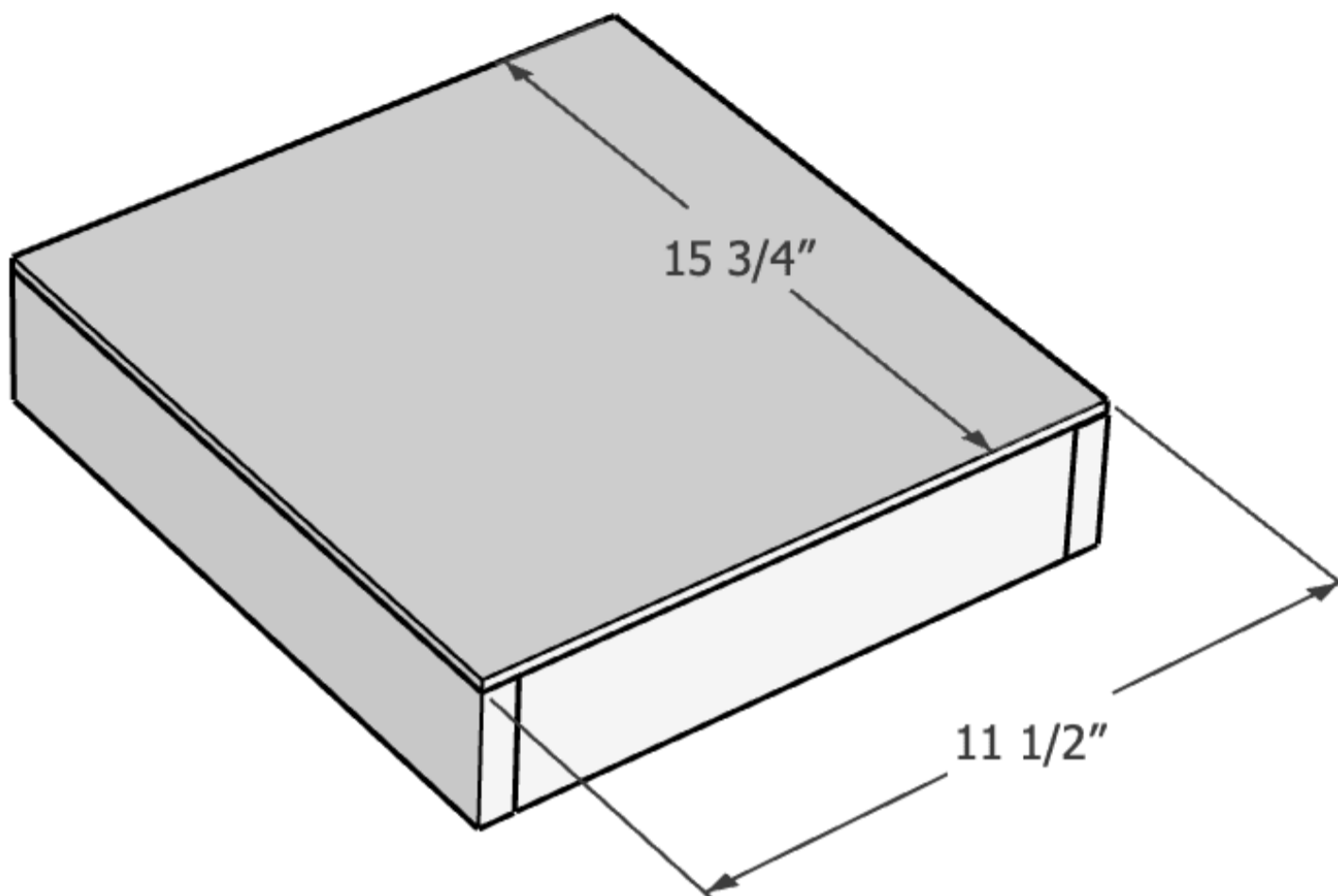
Attach the (15 3/4") 1x3 to the (10") 1x3 using a Kreg Jig on a 3/4" setting, with 1 1/4" Pocket Hole Screws to attach along with Wood Glue.



10

Attach Inner Drawer Backing

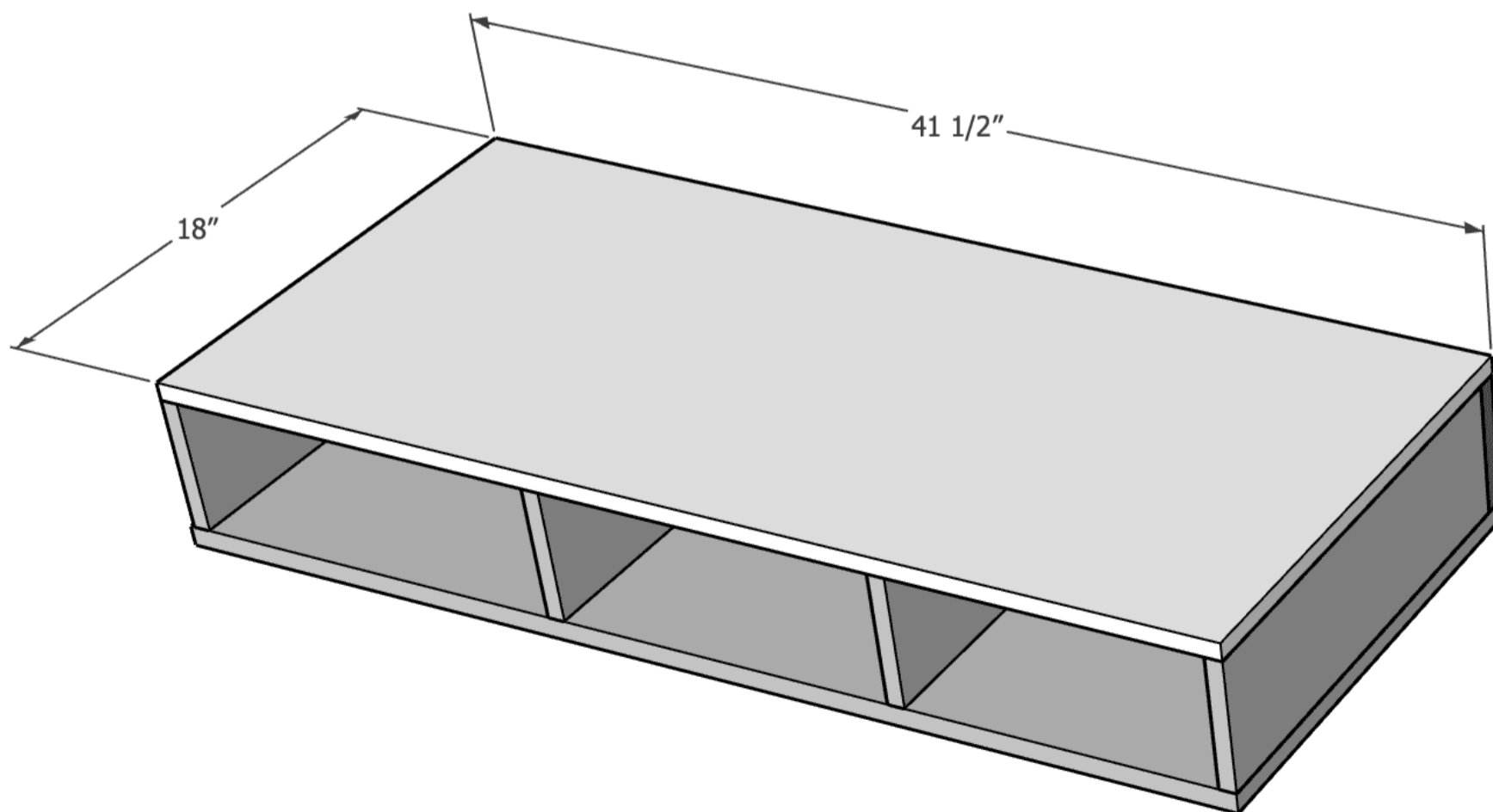
Attach the (11 1/2 x 15 3/4") backing to the bottom of the drawer with a staple gun and 1" staples.



11

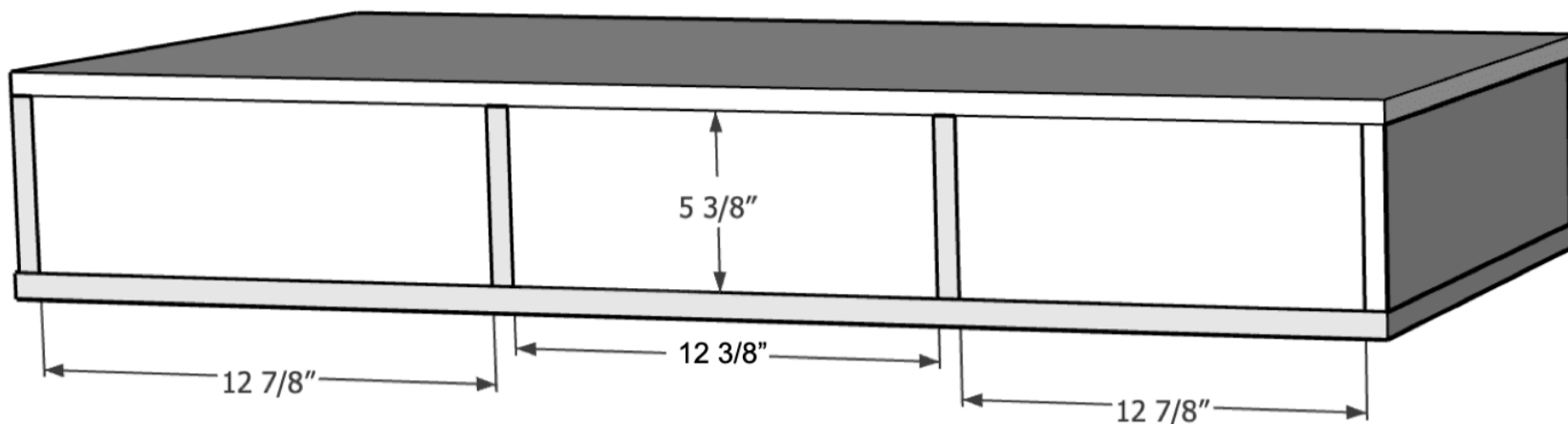
Attach Table Top

Attach the (18" x 41 1/2") table top to the desk using a countersink bit and 2" wood screws and fill the holes with wood filler.

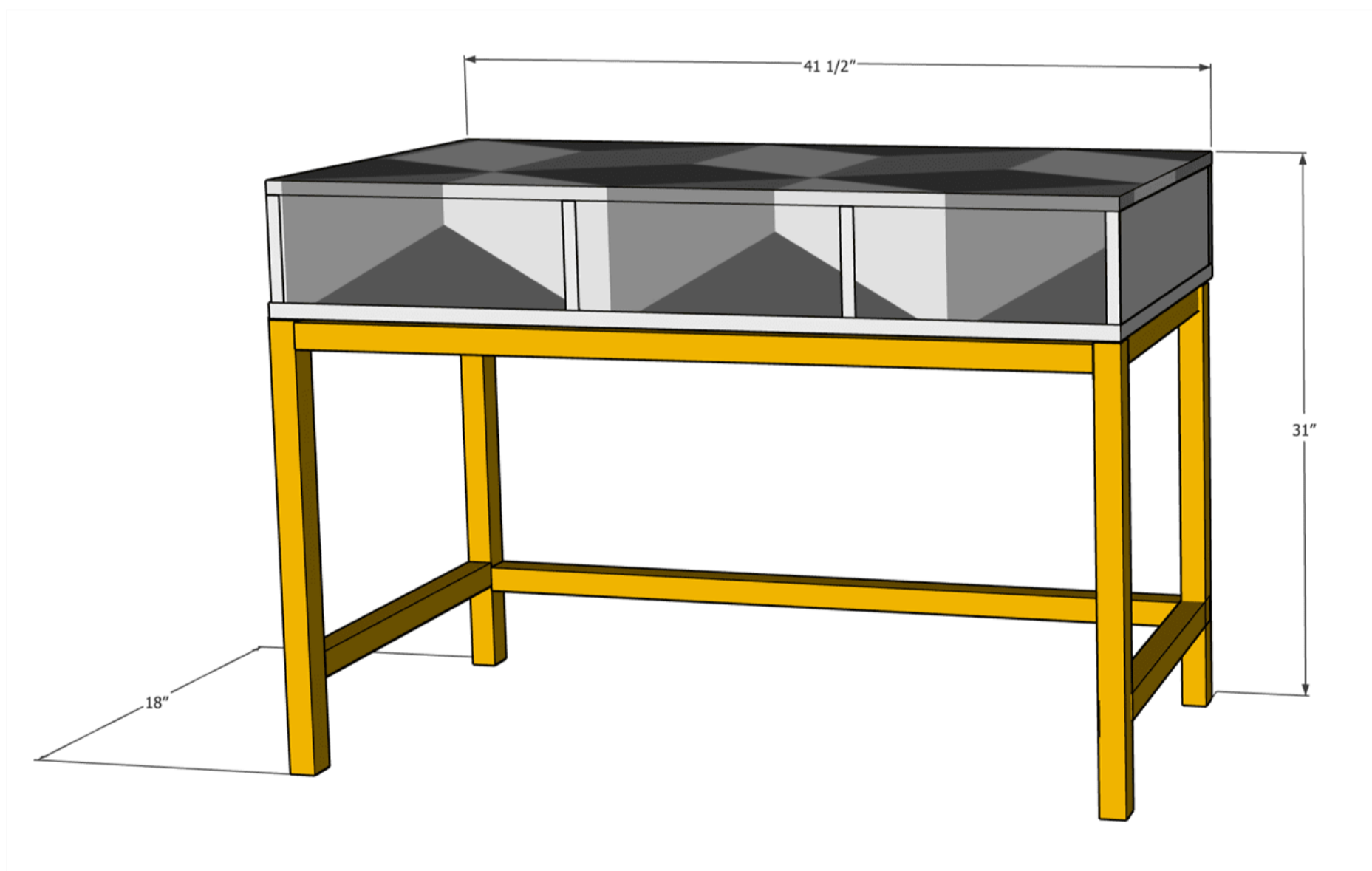


12**Attach Drawer Fronts**

Attach the drawer fronts to the drawers using wood screws and then attach the desk door knobs to the center of the desk door fronts.

**13****Attach Desk top**

Attach the desk top to the desk base by driving 2" screws up through the desk base into the bottom of the desk top.



14

Visit Handmade-Haven.com

For finish details and extra helpful tips visit <https://handmade-haven.com/blogs/news/diy- vanity-desk>.



handmade haven
BY ASHLEY BASNIGHT

15

Attach Slides to Drawers

Attach the other part of the drawer slide to the bottom of the drawers using the provided screws.