

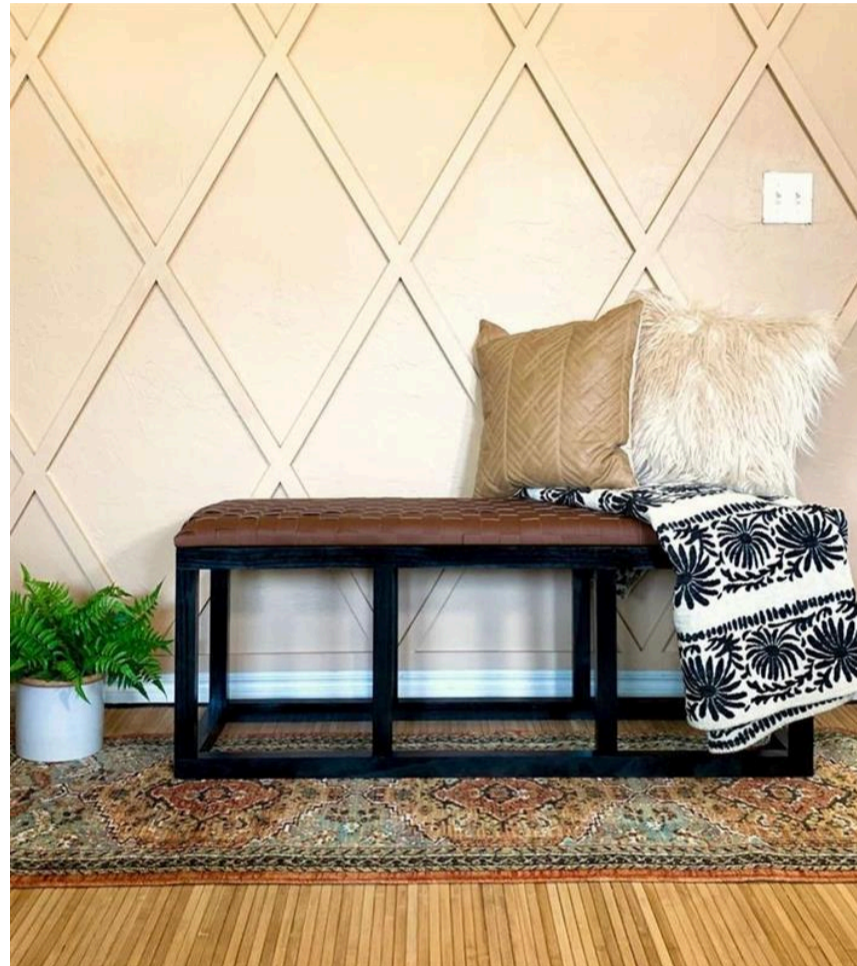
DIY Faux Leather Bench

By **Smashing DIY**

Difficulty

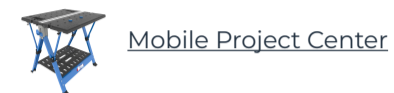
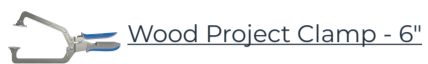
Advanced

Create this fun Leather Woven Bench to bring some style to your home.



Tools

Kreg Tools



Other Tools

Miter Saw

Drill (cordless)

Impact Driver

Sander

Sawhorse

Materials

Wood Products

7 Board , 2x2 , 72"

Hardware & Supplies

1 2 1/2" Pocket Hole Screws

Cut List & Parts

4 2x2s, 48 1/4"

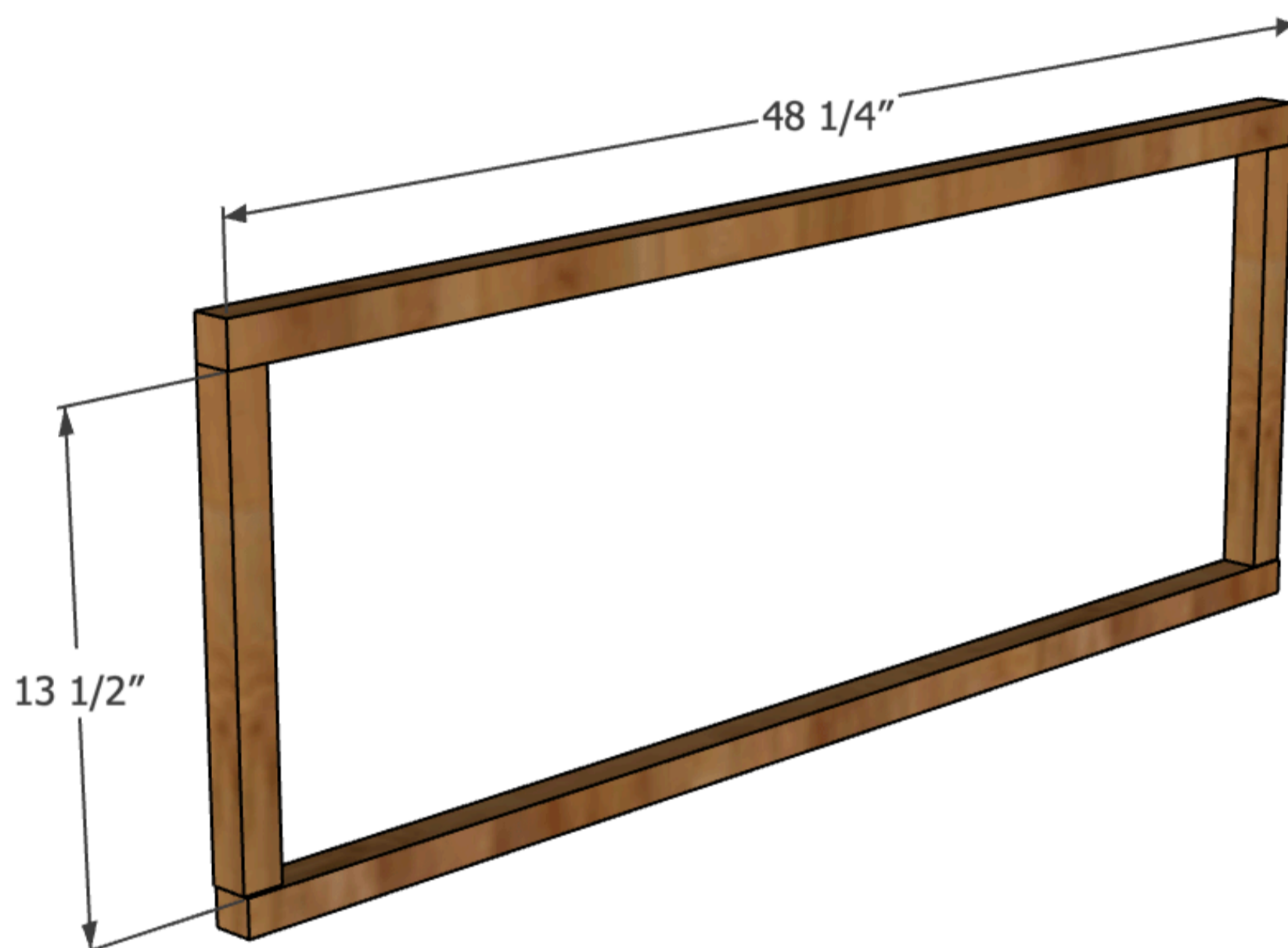
12 2x2s, 13 1/2"

Directions

1

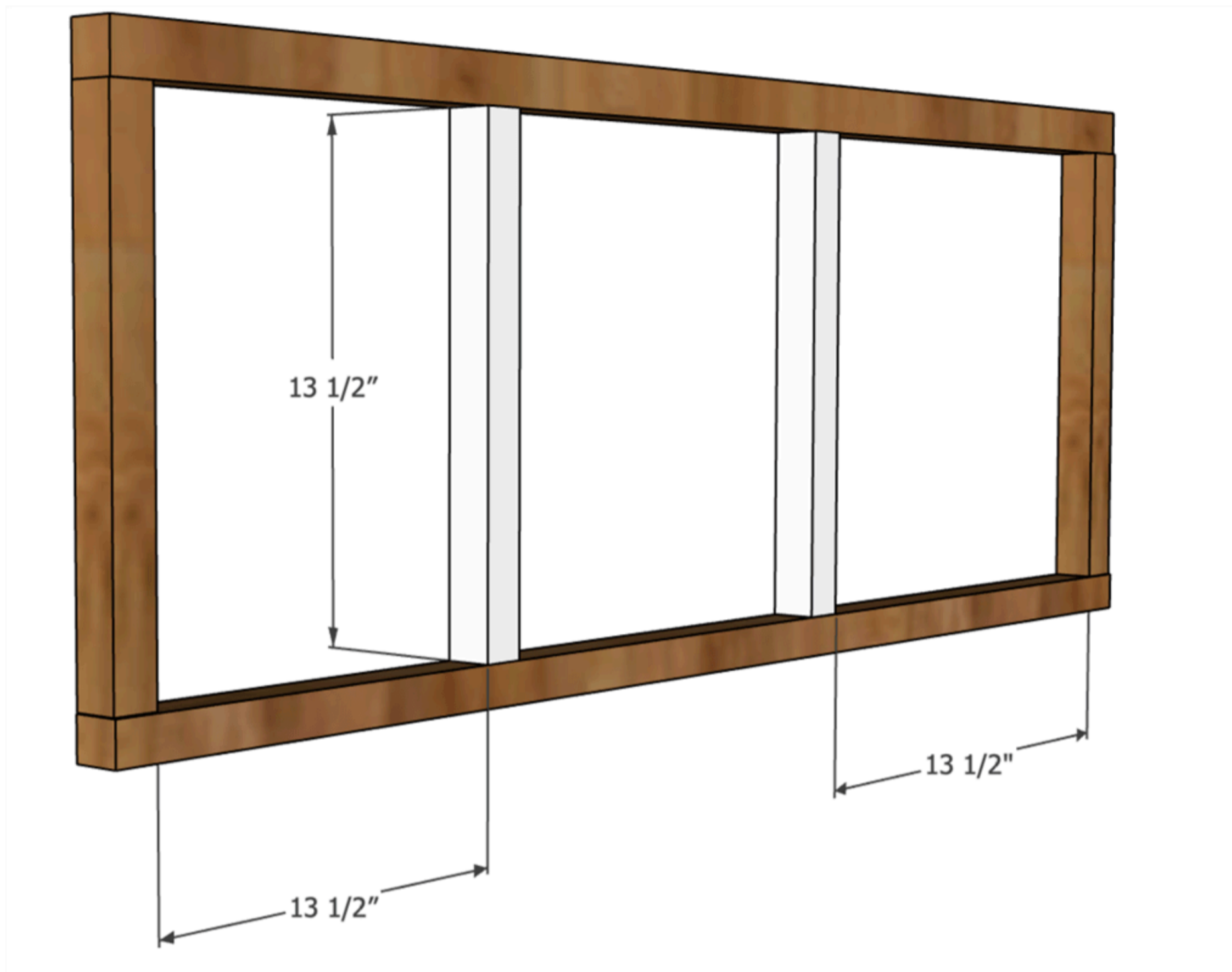
Assemble Base Side

Begin assembling the base by attaching the (48 1/4") 2x2s to the (13 1/2") 2x2s using a Kreg Jig on a 1 1/2" setting, with 2 1/2" pocket hole screws to attach along with wood glue.



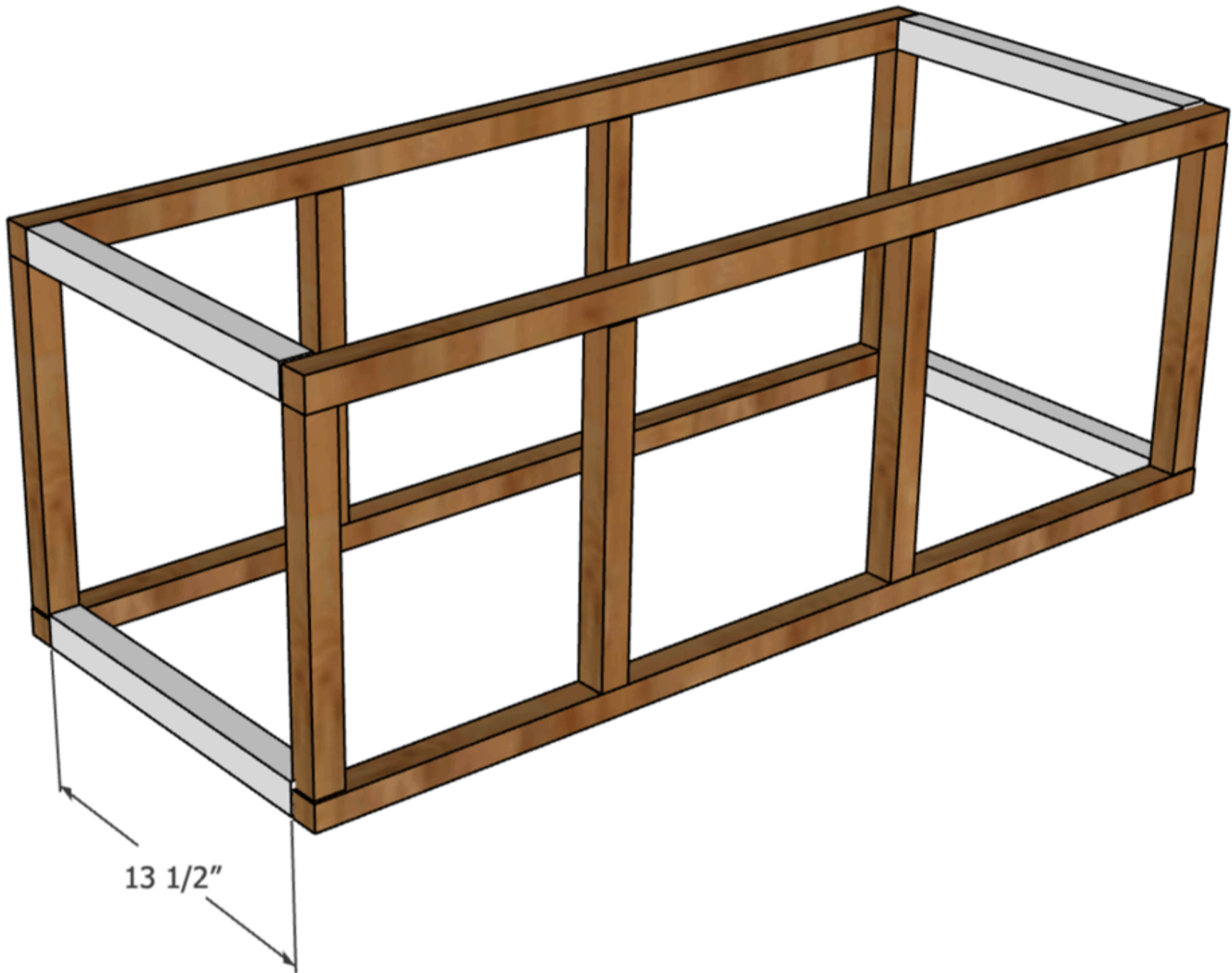
2**Add Base Side Stretchers**

Attach the two middle (13 1/2") 2x2 to the assembled side using a Kreg Jig on a 1 1/2" setting, with 2 1/2" pocket hole screws to attach along with wood glue and repeat both steps to create two bench base sides.



3**Attach Base Sides**

Attach the two assembled base sides together with the four remaining (13 1/2") 2x2s using a Kreg Jig on a 1 1/2" setting, with 2 1/2" pocket hole screws to attach along with wood glue.



4**Attach Leather Top**

Check out the link in the Extras tab for leather top upholstery instructions and video

Attach Leather top of your choice to the assembled base using 2" Wood Screws.

