

Antique Style Hutch

By **Sincerely, Marie Designs**

Difficulty

Advanced

Antique, shaker style hutch & cabinet. Great for displaying all your dishes and dining utensils as well as plenty of storage below with an extra shelf.





Tools

Kreg Tools



Other Tools

Circular Saw (corded)

Miter Saw

Table Saw

Tape Measure

Drill (cordless)

Nail Gun

Stapler

Sander

Air Compressor

Materials

Wood Products

- 1 Plywood , 3/4" Thick , Full Sheet
- 4 Board , 1x3 , 96"
- 1 Board , 1x4 , 96"
- 1 Plywood , 1/4" Thick , Full Sheet
- 2 Board , 1x12 , 96"
- 1 Decorative Trim Of Choice , 3/4" Thick , 96"
- 1 Board , Crown Molding Of Choice , 96"
- 1 Plywood , 1/4" Thick , Half Sheet
- 1 Board , 1x3 , 48"

Hardware & Supplies

- 2 Cabinet Door Hinges Of Choice
- 2 Door Latches Of Choice
- 1 Wood Glue
- 1 Box 1" Kreg Screws
- 1 Box 1 1/4" Kreg Screws
- 1 Box Brad Nails
- 1 Pack 120 Grit Sand Paper
- 1 Pack 400 Grit Sand Paper
- 1 Paint Or Stain Or Choice
- 2 Mending Plates To Attach Hutch To Cabinet
- 1 Wood Filler
- 1 Box 1 1/2" Kreg Screws

Cut List & Parts

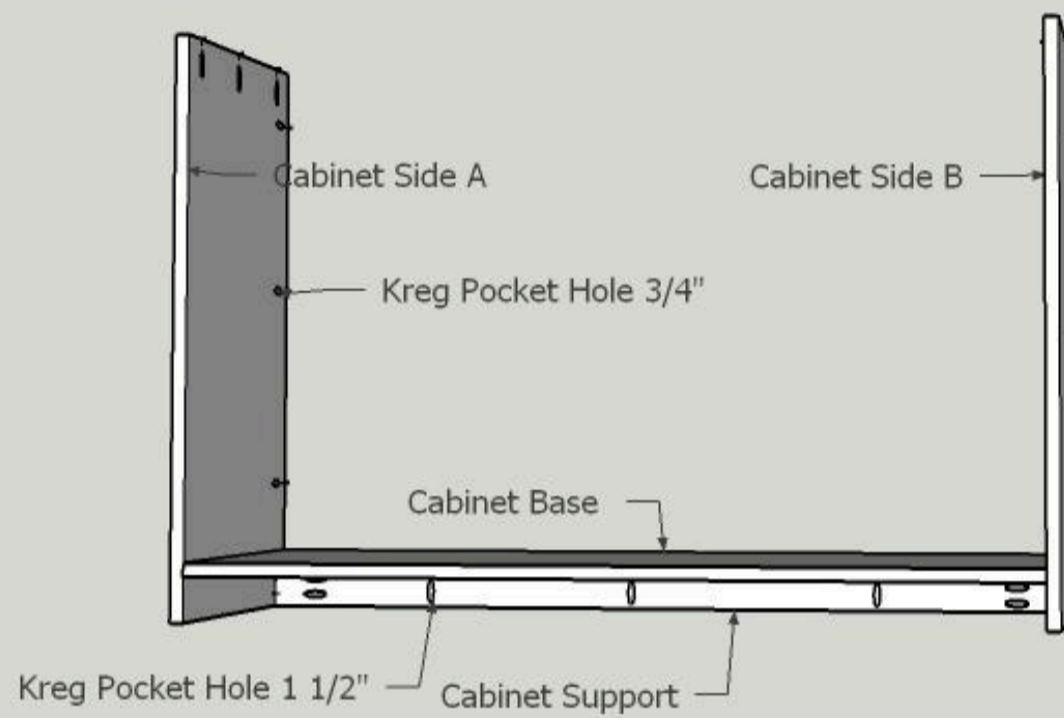
- 2 Hutch Sides , 3/4" X 12" X 46 1/4"
- 2 Cabinet Sides , 3/4" X 17" X 33"
- 1 Cabinet Bottom , 3/4" X 17" X 4'
- 1 Cabinet Bottom Support Board , 2" X 3" X 4'
- 1 Cabinet Top , 3/4" X 18 3/8" X 51 1/2"
- 1 Bottom Cabinet Face Frame , 1" X 4" X 44 1/2"
- 2 Side Cabinet Face Frames , 1" X 3" X 29"
- 1 Cabinet Top Face Frame , 1" X 3" X 44 1/2"
- 1 Cabinet Middle Face Frame , 1" X 3" X 23 1/4"
- 3 Cabinet Top Trim Edging , Cut To Size
- 1 Bottom Hutch Support , 1" X 4" X 4'
- 1 Top Hutch Board , 1" X 12" X 4'
- 2 Hutch Shelves , 1" X 12" X 4'
- 1 Hutch Top , 1" X 12" X 4'
- 2 Hutch Side Face Frames , 1" X 3" X 46 1/4"
- 1 Hutch Top Face Frame , 1" X 4" X 44.5"
- 3 Hutch Crown Molding , Cut To Size
- 3 Bottom Cabinet Trim , Cut To Size
- 1 Cabinet Shelf (Optional) , 1" X 12" X 4'
- 6 Shelf Supports , 1" X 2" X 11 1/4"
- 4 Cabinet Door Frame , 1" X 3" X 23"
- 4 Cabinet Door Frame , 1" X 3" X 15 3/4"
- 2 Cabinet Door Center Panel , 1/4" X 20" X 18"

Directions

1

Building Cabinet Base

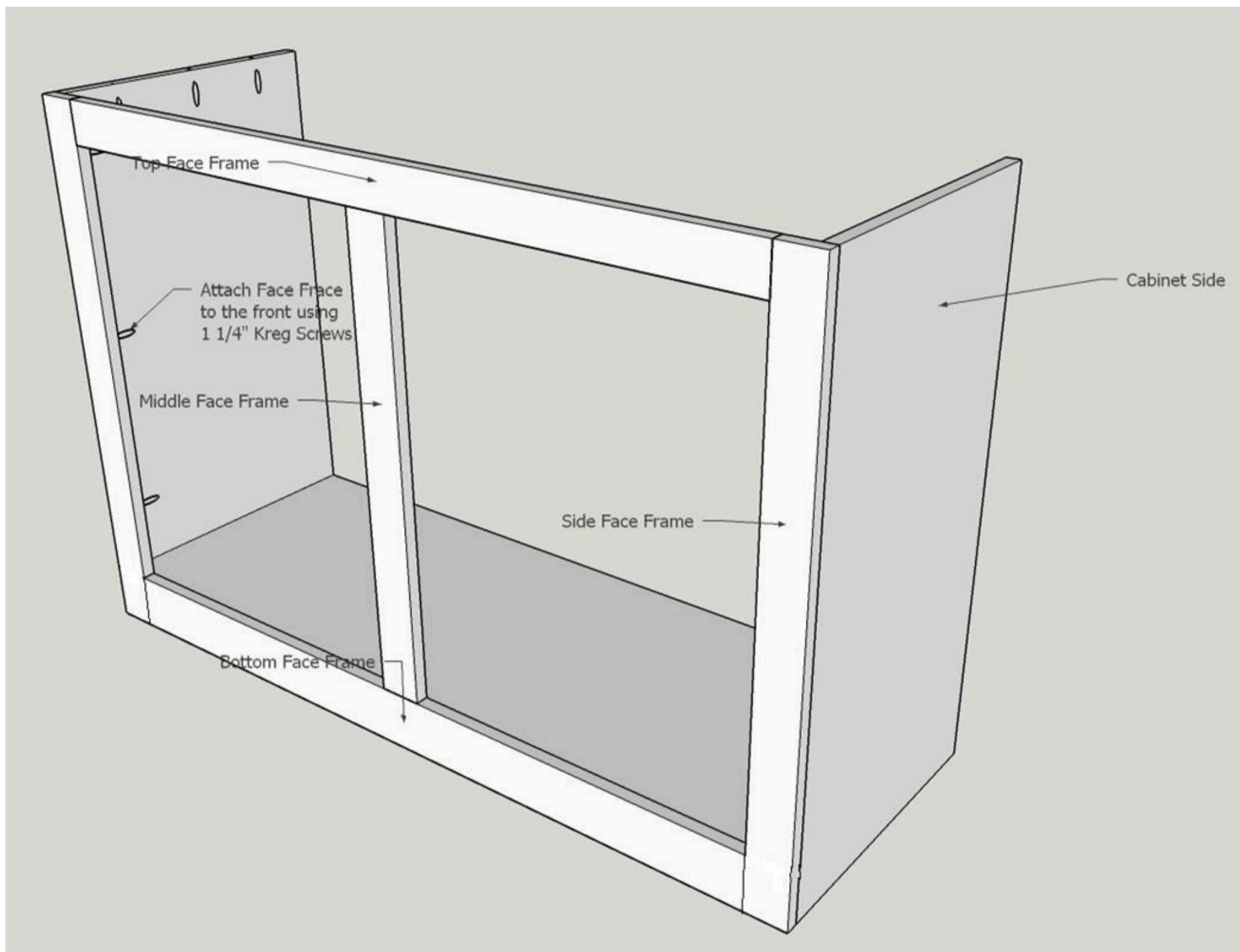
Make all pocket holes in the cabinet sides, cabinet support and bottom shelf. Attach cabinet sides to cabinet bottom support using 1 1/4" Kreg screws. Attach bottom shelf using 1 1/4" Kreg screws as well.



2

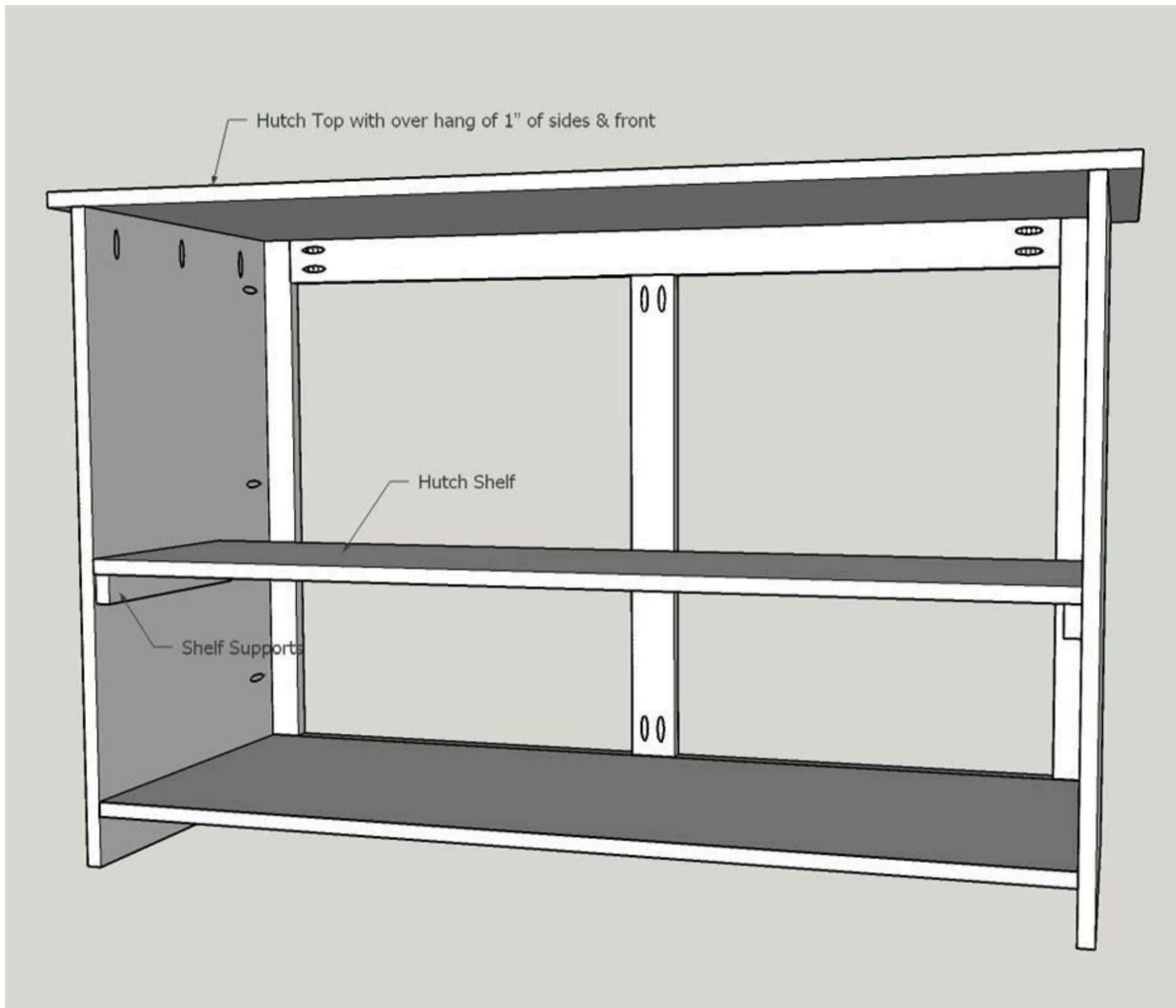
Adding Cabinet Face Frame

Attach top, bottom and side face frame using 1 1/4" Kreg screws and wood glue.



3**Adding Cabinet Shelf & Top**

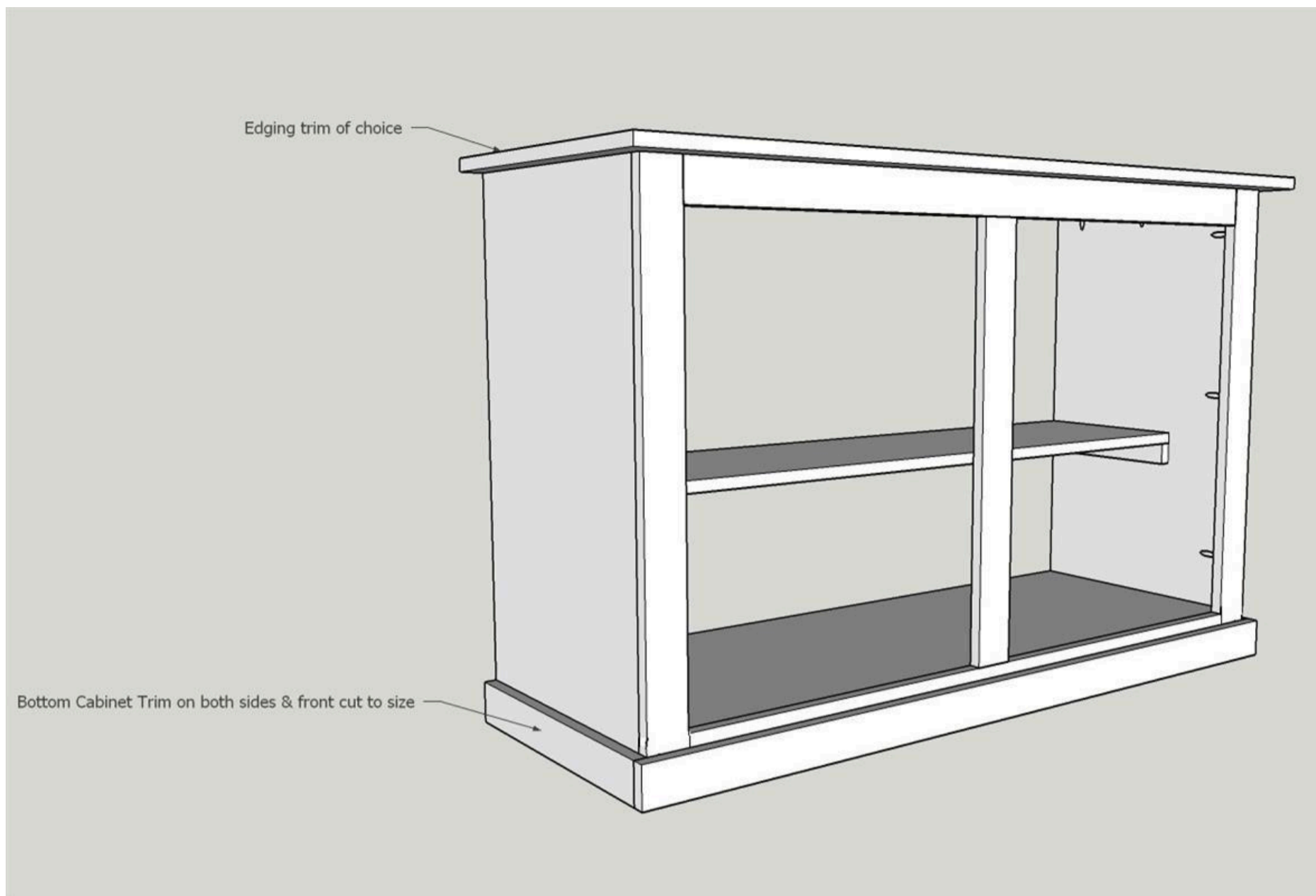
Using glue and brad nails attach the shelf supports making sure they're flush with the backs of the cabinet sides. Add the cabinet top using 1 1/4" Kreg screws.



4

Adding Cabinet Trim

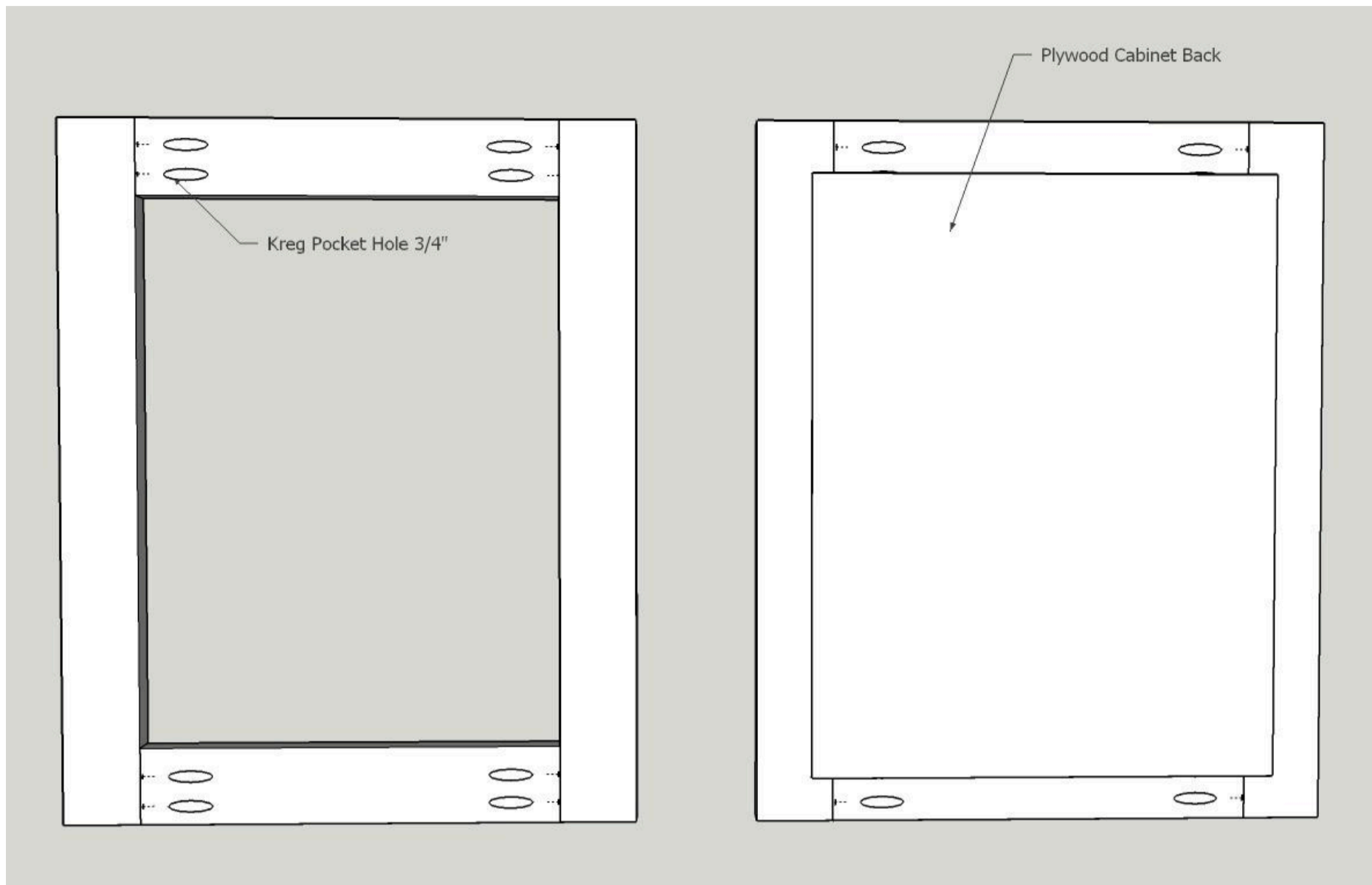
Cut to size and nail in desired trim around the base of the cabinet as well as around the cabinet top if you choose.



5

Make Cabinet Doors

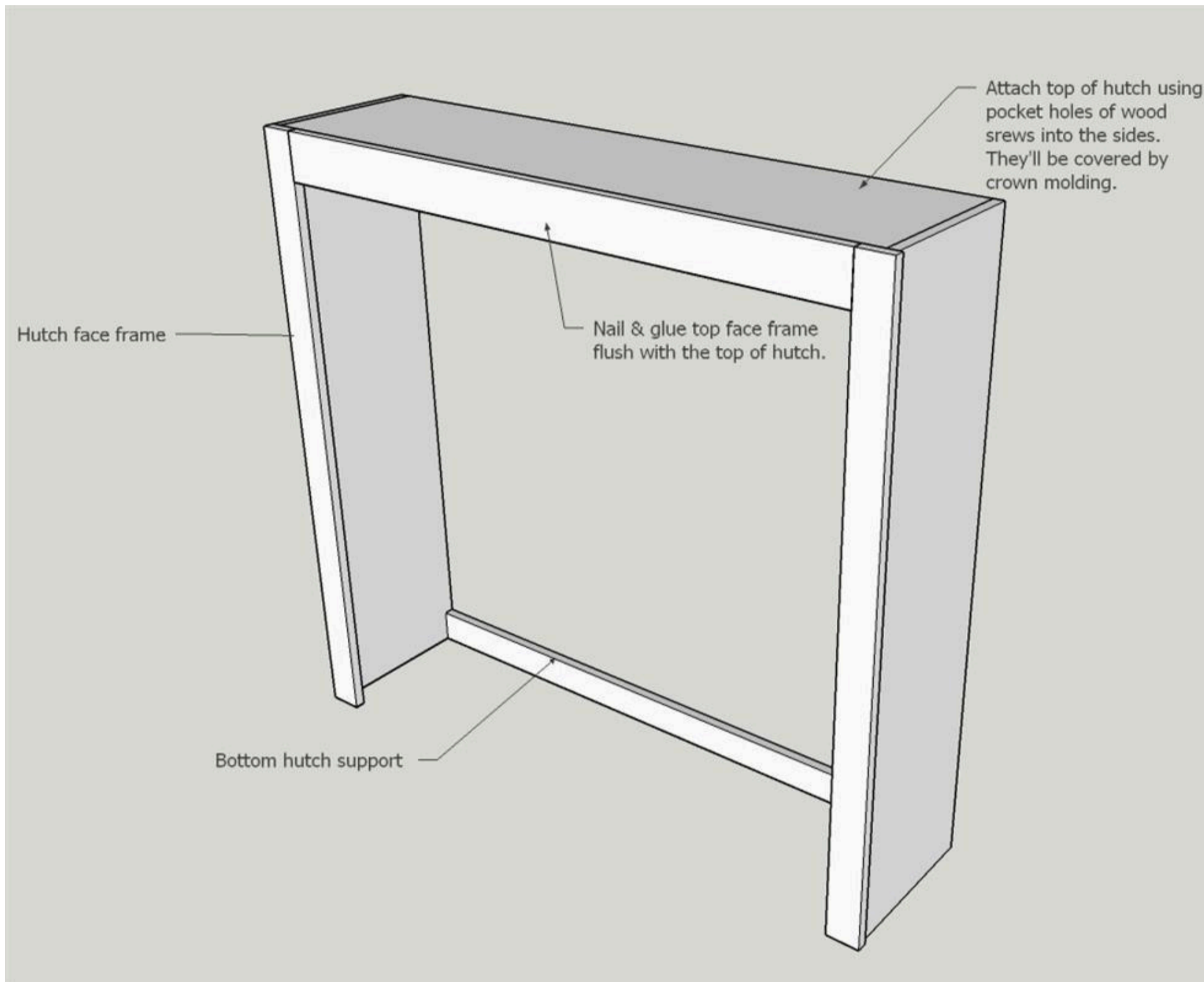
Attach cabinet sides using wood glue and 1 1/4" Kreg Screws. Using a staple gun and wood glue, attach plywood backing to the backside of the doors.



6**Assemble Hutch Frame**

Attach hutch sides to bottom support with 3/4" pocket holes using 1 1/4" Kreg screws. Add hutch top by pocket holes and Kreg screws or use wood screws and drill in from the side. This will be covered later with crown molding.

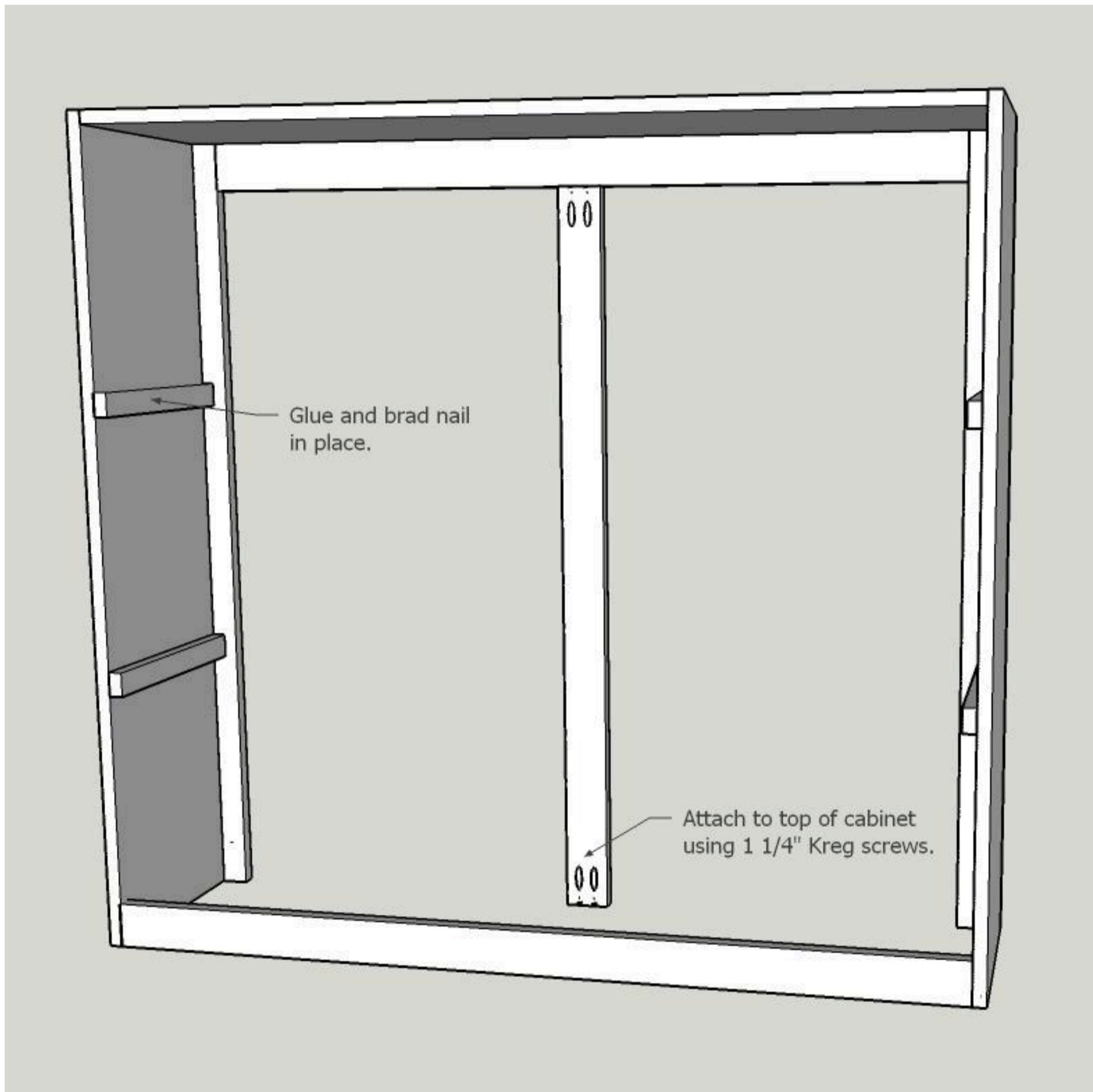
Add hutch side face frames using wood glue and brad nails. Attach top face frame using 1 1/4" Kreg screws.



7**Add Hutch Shelves**

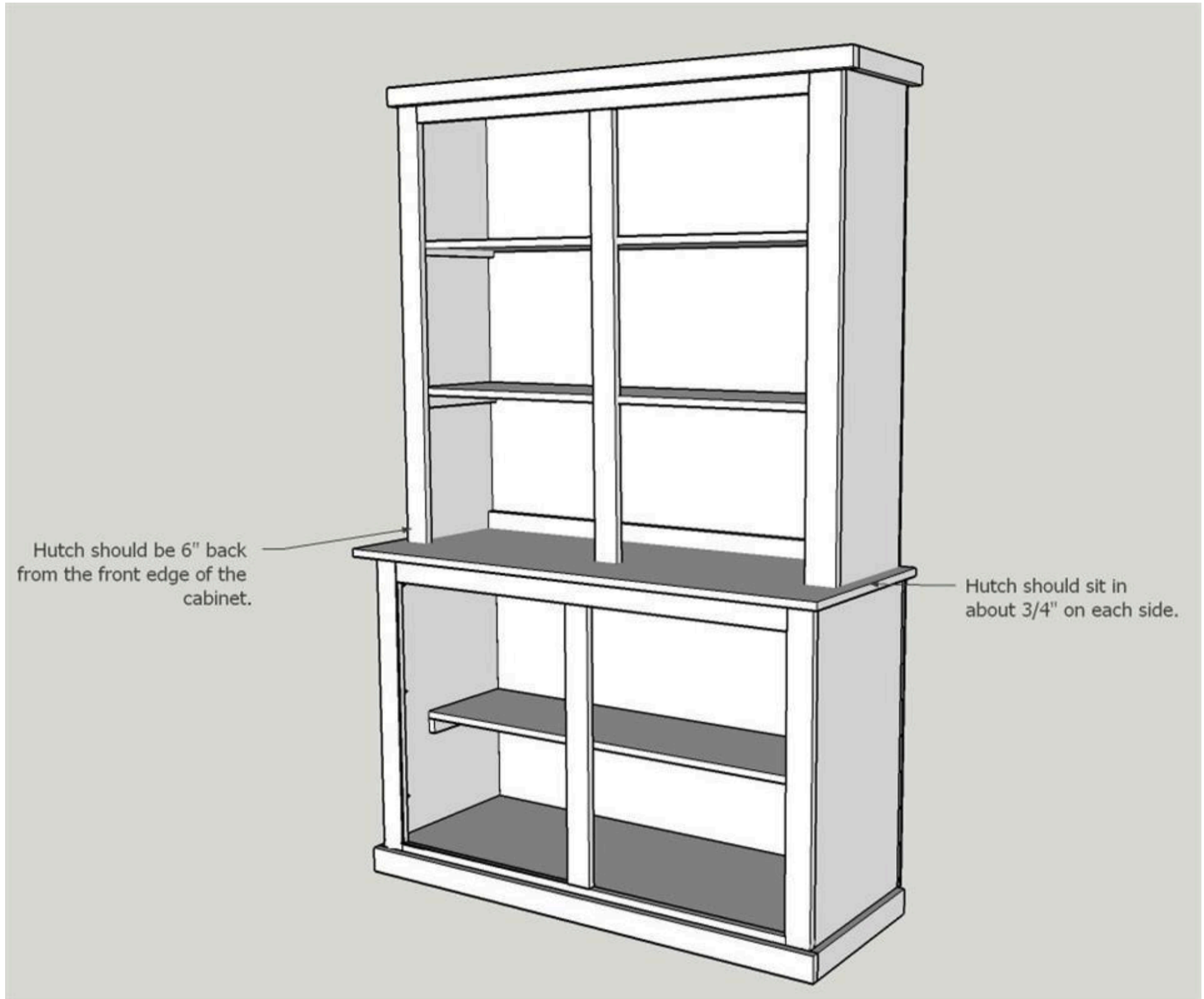
Add middle face frame using 1 1/4" kreg screws. Find the center point and attach at top of the face frame and attach at the bottom by screwing into the top of the cabinet once in place.

Add your shelf supports with wood glue and brad nails. Make sure the supports are flush with the back of the cabinet.



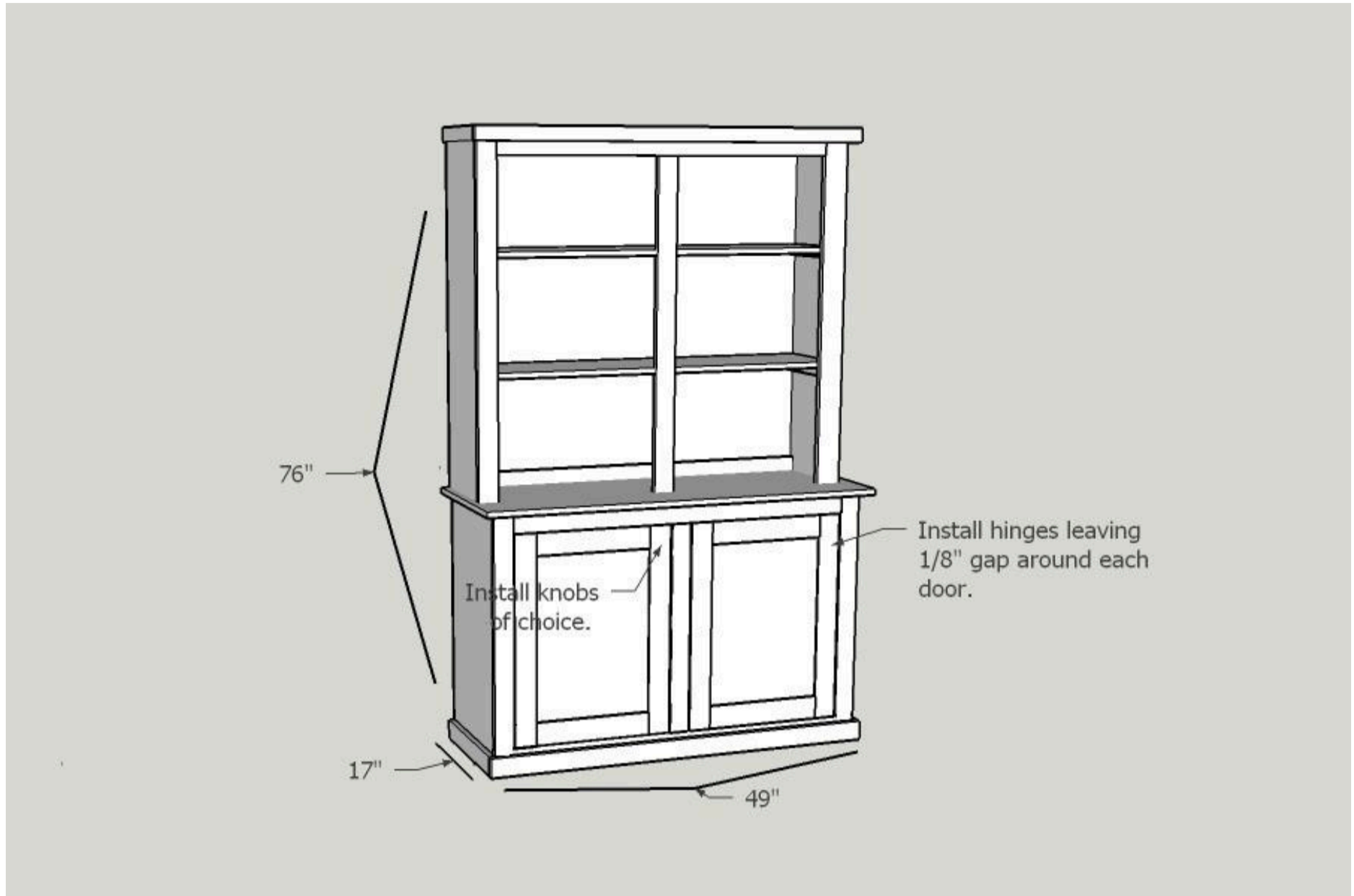
8**Attach Hutch to Cabinet**

Attach the hutch to the cabinet by screwing middle hutch face frame onto the cabinet top and by adding mending plates to the back of the hutch sides and cabinet sides. There should be about 3/4" cabinet over hang on each side of the hutch.



9**Attaching The Cabinet Doors**

Hang doors with desired hinges, leaving an 1/8" gap around. Attach desired knobs or latches. The hardware shown here was all purchased at Home Depot.

**10****Add Backer Board**

Add 1/4" plywood cut to size to the back of the hutch and cabinet using a staple gun.

11**Finishing**

Fill all holes and cracks with wood filler and sand with 120 grit sand paper and stain or paint with color of choice. Seal with a clear top coat and sand lightly with 400 grit sand paper for a super smooth finish.

12

Visit The Tale of an Ugly House

Visit me at TheTaleofanUglyHouse.com

the tale of an ugly house
ugly house to lovely home
