

Herringbone Coffee Table

By **Shades of Blue Interiors**

Difficulty

Moderate

Create a modern farmhouse coffee table with just 2x2s and 1x3s. The top has wood inlay in a herringbone-type pattern, but could be customized with tile, stone, or glass. Dimensions are 4' long x 2' wide x 18" tall.





Tools

Kreg Tools



Other Tools

Miter Saw

Table Saw

Tape Measure

Drill (cordless)

Nail Gun

Sander

Materials

Wood Products

5 Board , 2x2 , 120"

1 Plywood , 3/4" Thick , Half Sheet

5 Board , 1x3 , 96"

Hardware & Supplies

50 2 1/4" Pocket Hole Screws

24 1 1/2" Pocket Hole Screws

50 1 1/4" Nails, 18 Gauge

1 Wood Glue

1 120 & 220 Grit Sandpaper

1 Wood Filler

1 Oil Based Wood Stain &/Or Paint Of Choice

Cut List & Parts

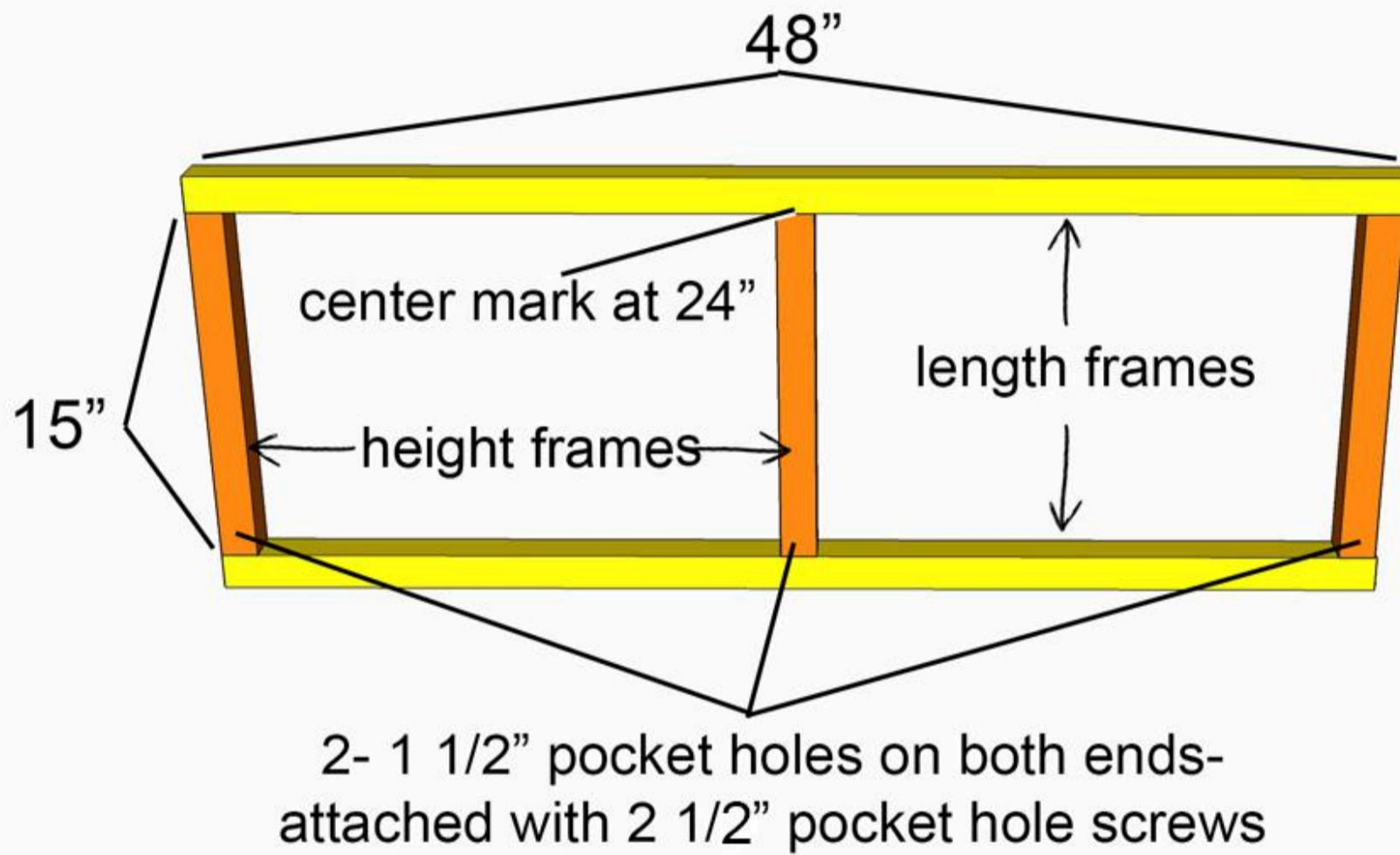
- 4 Length Frames , 2" X 2" X 48"
- 6 Height Frames , 2" X 2" X 15"
- 4 Angled Supports , 2" X 2" X 25 3/8"
- 6 Side Frames , 2" X 2" X 21"
- 2 Table Top Panels , 3/4" X 21" X 21 3/4"
- 12 Angled Inlay Pieces , 1" X 3" X 14 5/8" With 45 Angles On Both Ends
- 4 Angled Inlay Pieces , 1" X 3" X 14 5/8" On One Side, 10 3/4" On Other Side, 45 Angle On Both Ends
- 4 Angled Inlay Pieces , 1" X 3" X 14 5/8" On One Side, 9 7/8" On Other Side, 45 Angle On Both Ends
- 4 Angled Inlay Pieces , 1" X 3" X 9 7/8" On One Side, 4 7/8" On Other Side, 45 Angle On Both Ends
- 4 Angled Inlay Pieces , 1" X 3" X 10 3/4" On One Side, 5 3/4" On Other Side, 45 Angle On Both Ends
- 4 Angled Inlay Pieces , 1" X 3" X 5 3/4" On One Side, 3/4" On Other Side, 45 Angle On Both Ends
- 4 Angled Inlay Pieces , 1" X 3" X 4 7/8" On One Side With 45 Angles Meeting At Point
- 4 Angled Inlay Pieces , 3/4" X 3/4" X 3/4" Angled Triangle

Directions

1

Build Side Frame

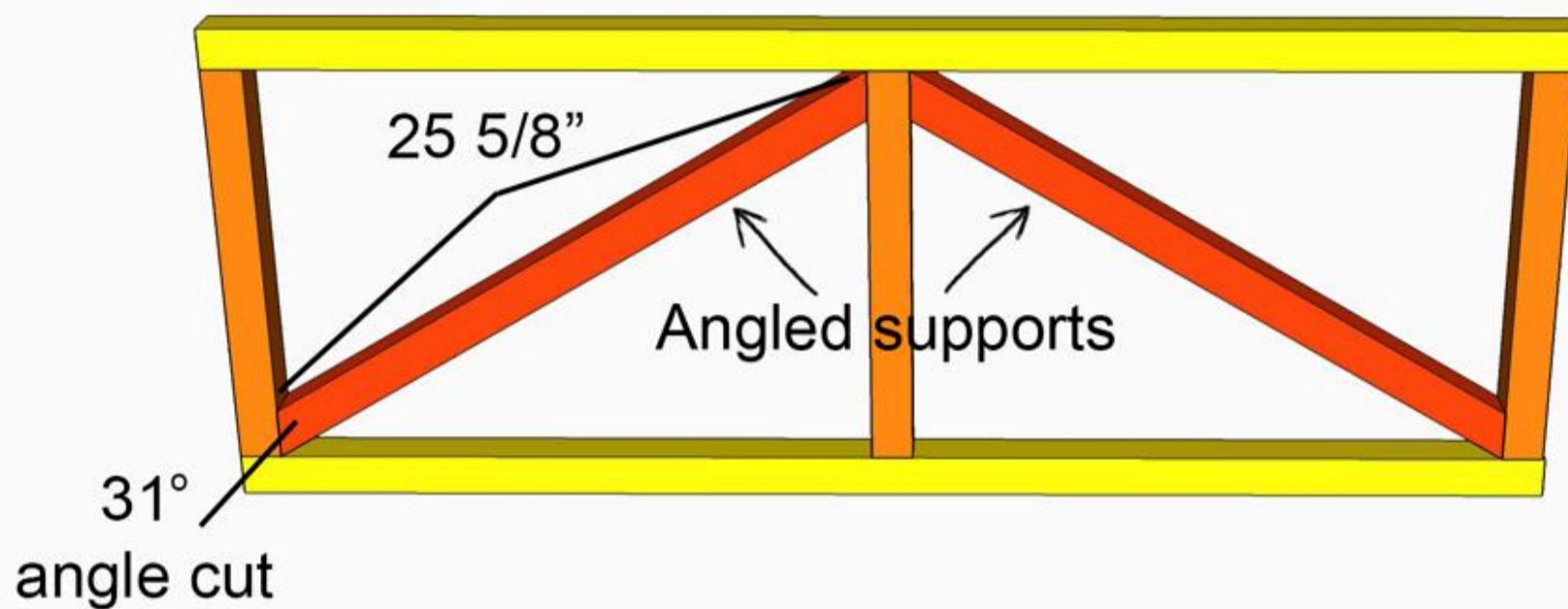
Drill 2- 1 1/2" pocket holes on both ends of the height frame pieces (15"). Using wood glue and 2 1/2" pocket hole screws, attach the height frame pieces to the length frame pieces on both ends and in the exact center.



2

Attach Angled Supports

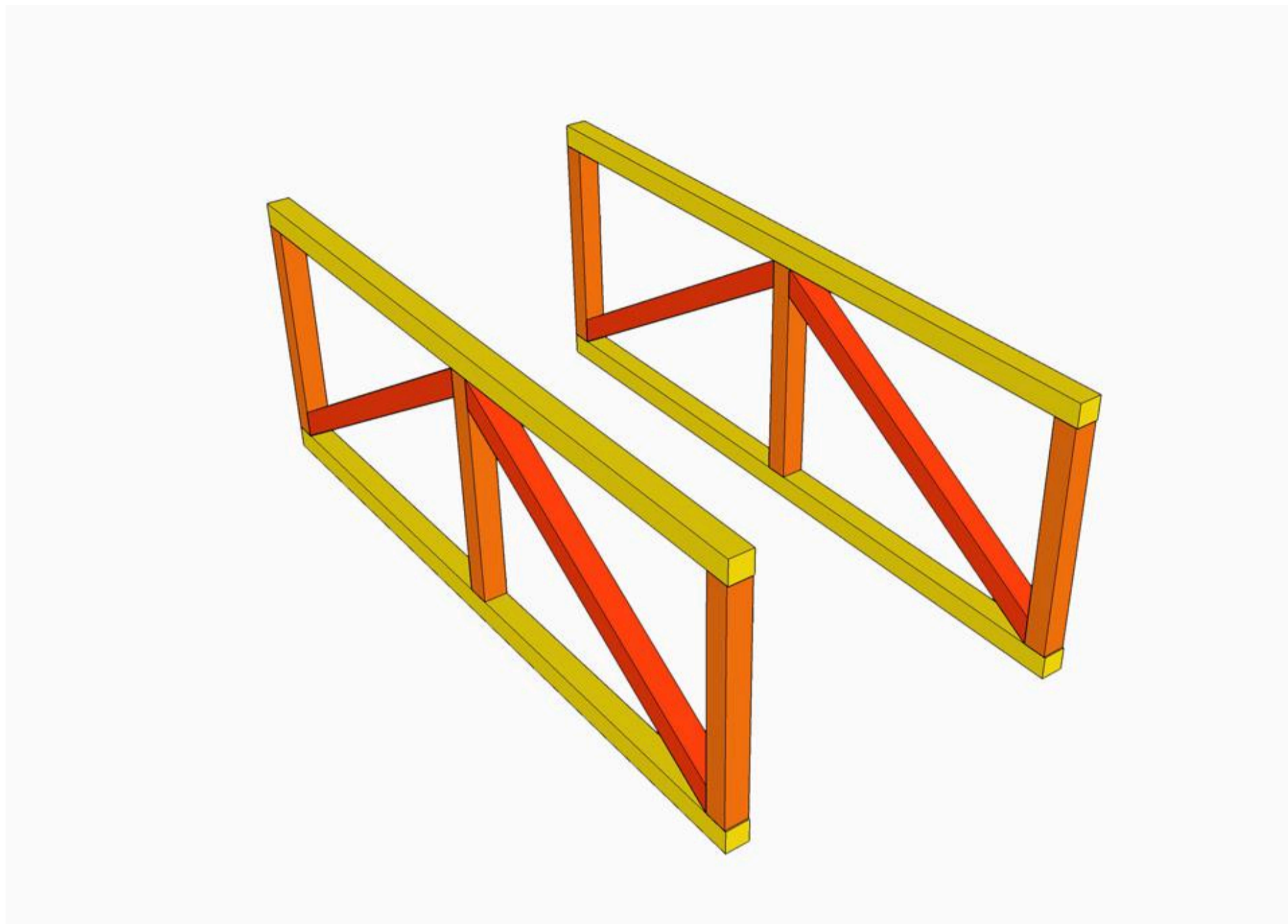
Using wood glue and a cordless nail gun, attach the angled supports to the frame, by toenailing the nails into each end.



3

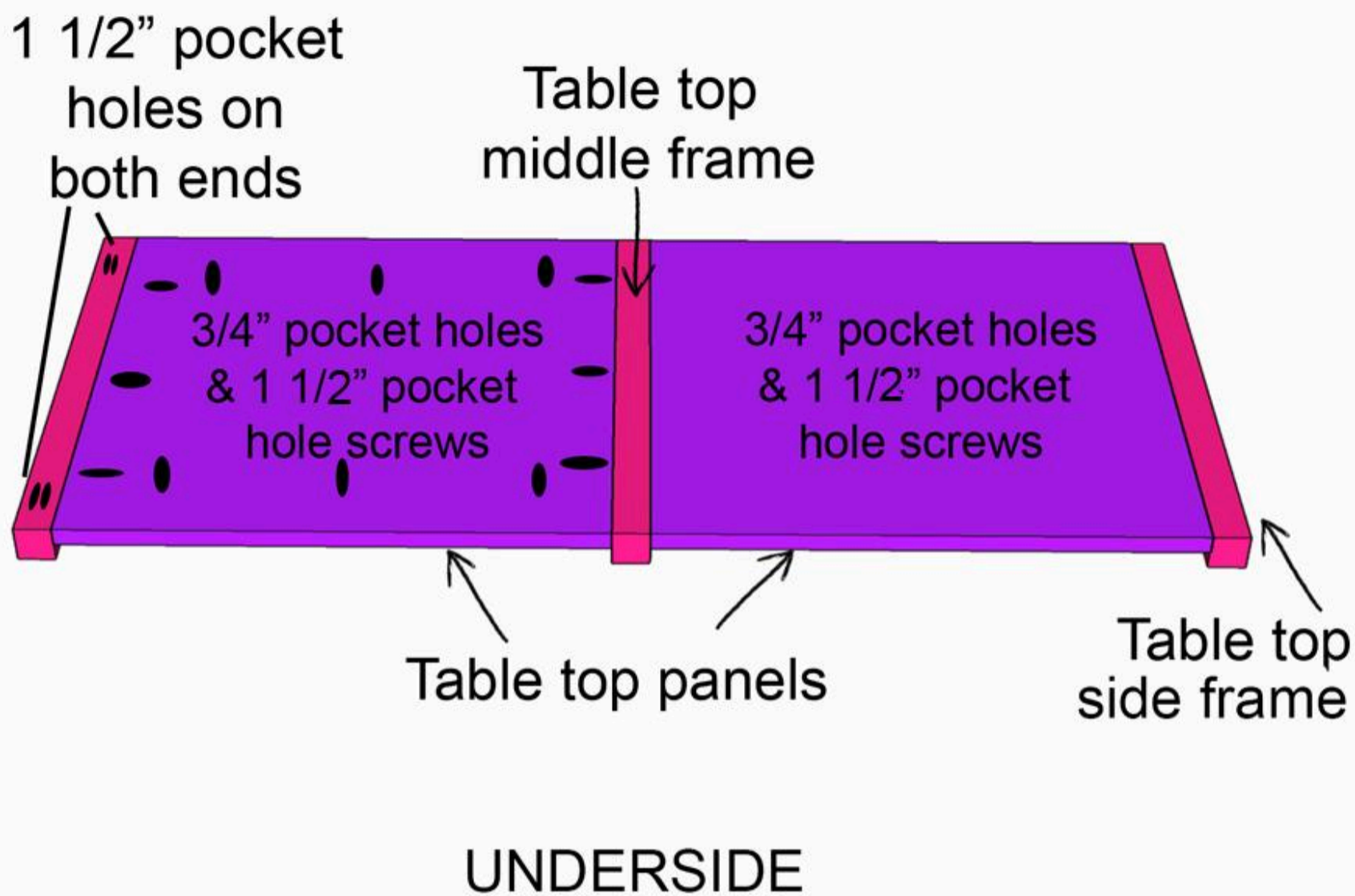
Build Other Side Frame

Repeat step 1-2 to build the opposite side frame.



4**Build Table Top**

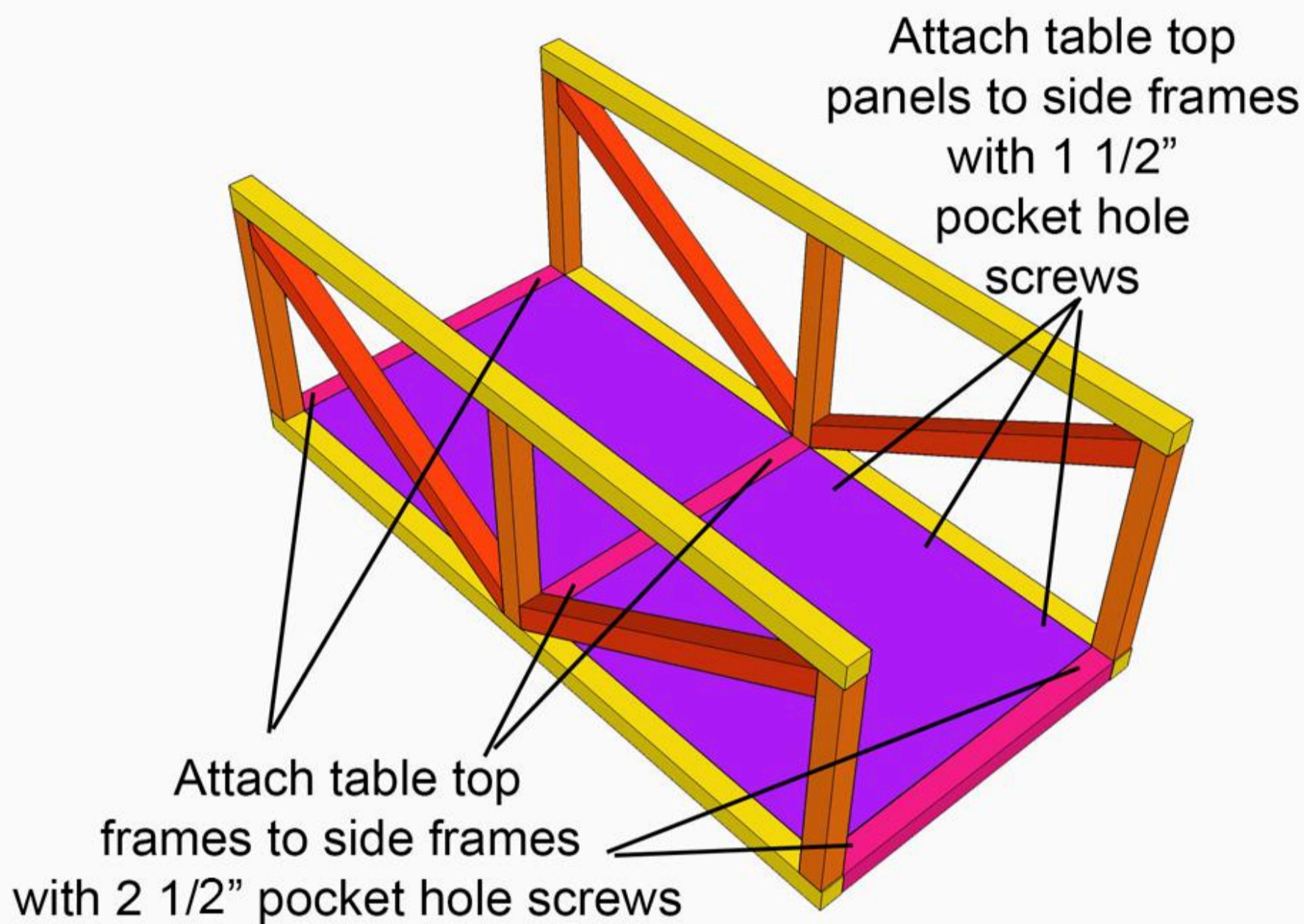
Drill 3/4" pocket holes on all 4 sides of the table top panels. Drill 1 1/2" pocket holes on both ends of the table top frame pieces. Attach the table top panels (3/4" plywood) to the table top frame sides and frame middle using 1 1/2" pocket hole screws. Make sure all the pocket holes are on the underside of the table top, and that you use a 3/4" piece of scrap wood as a spacer underneath the top panels when attaching the screws. The panels should be flush with the top frame pieces.



5

Attach Side Frames to Top

Using wood glue and 2 1/2" pocket hole screws, attach the table top frame pieces to the side length frame pieces. Then attach the panels to the side length frame pieces using 1 1/2" pocket hole screws.



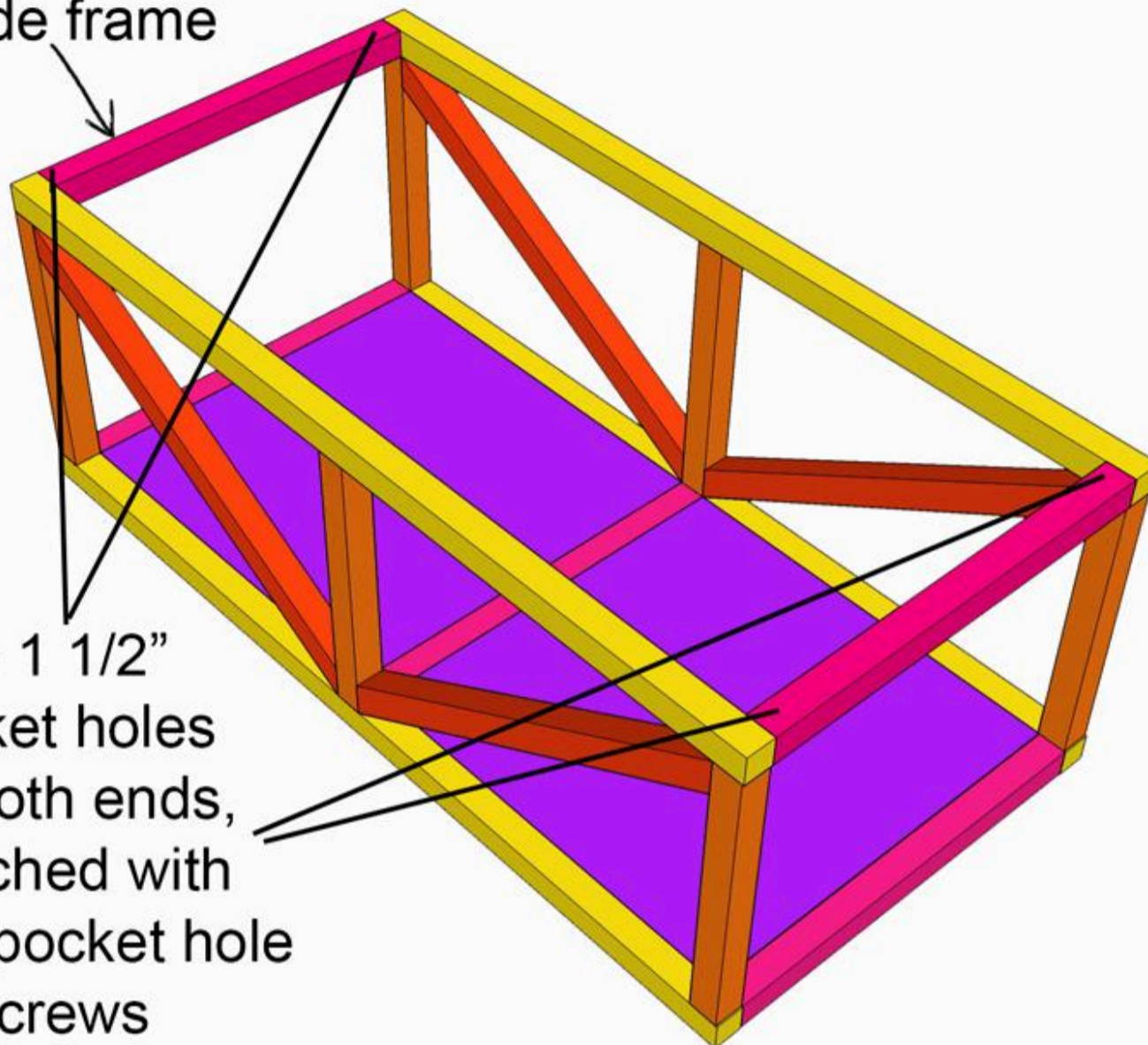
6

Attach Base Width Frame to Sides

Drill 1 1/2" pocket holes on either end of the base width frame pieces (2) and attach them between the two side frames using wood glue and 2 1/2" pocket hole screws.

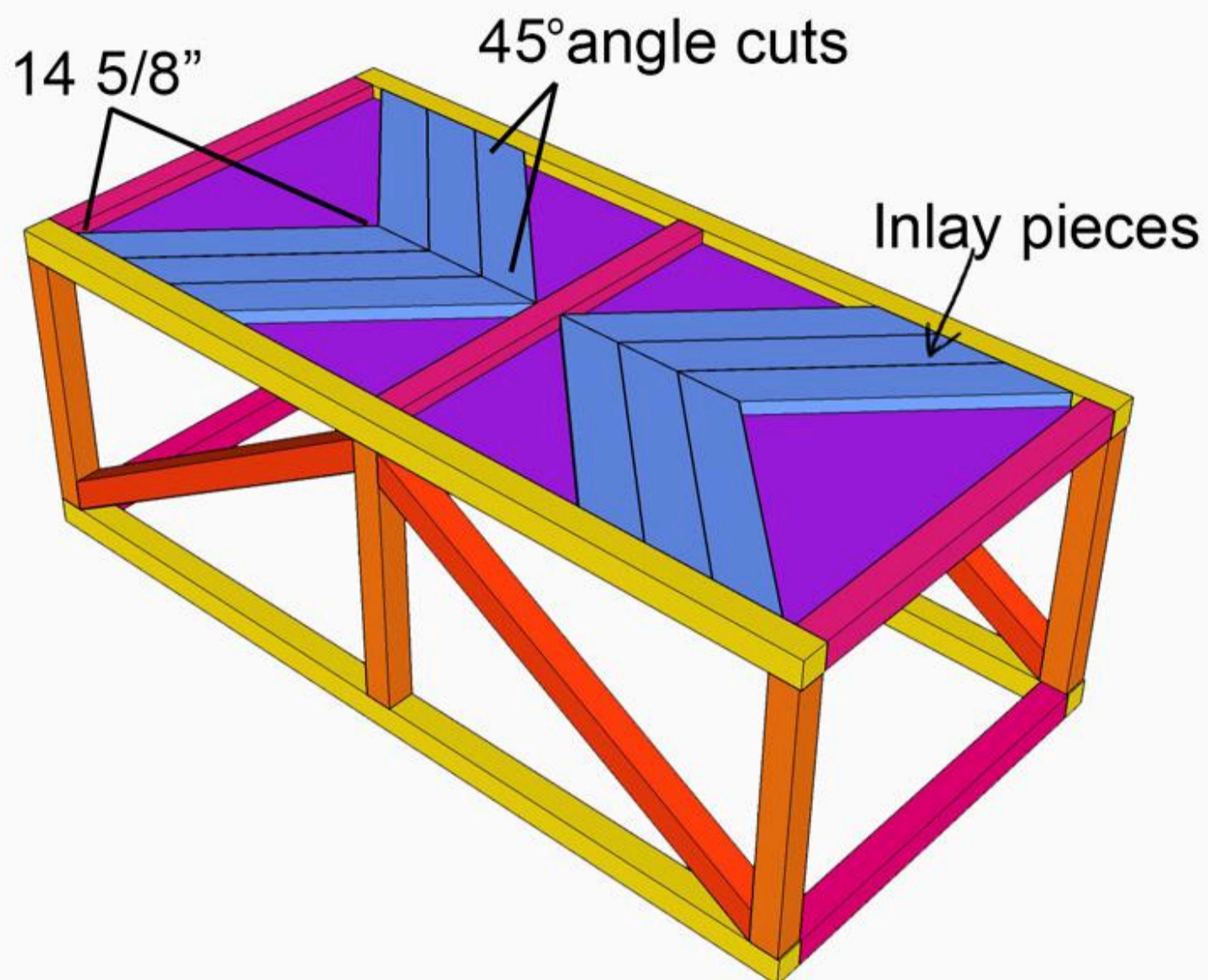
Base side frame

2- 1 1/2"
pocket holes
on both ends,
attached with
2 1/2" pocket hole
screws



7**Dry Fit Wood Inlay Pieces**

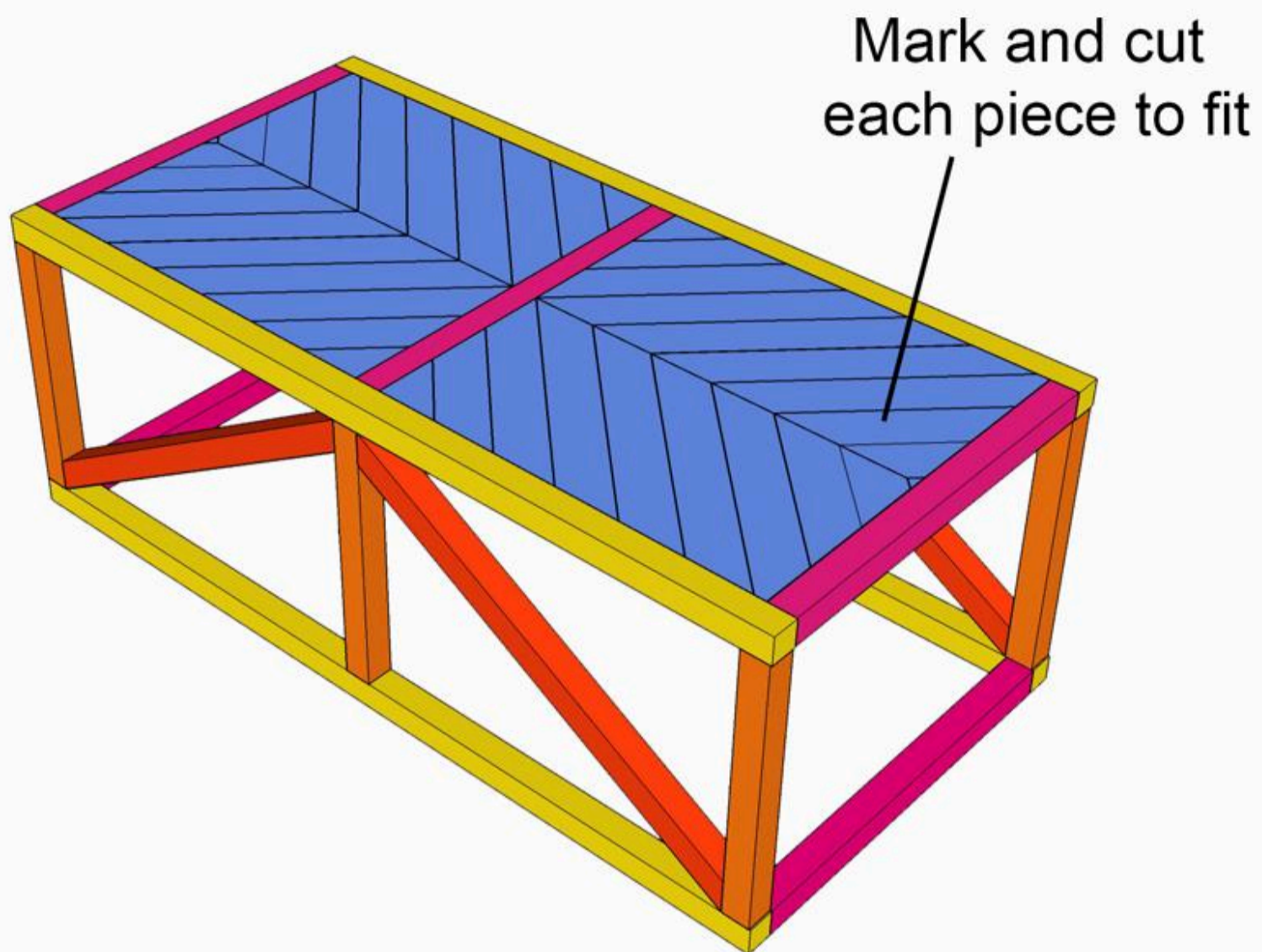
Place the longest 6 pieces of angled inlay pieces on each side of the table top. It is best not to cut the exact lengths for the remaining pieces that fit, until you measure and mark where they will fit. I found it easiest to cut an additional 8-10 lengths of the 14 5/8" pieces where each end is angled, and put it in place, marked with a pen where it needed to be cut (to get a snug fit), then cut a 45 degree angle at those marks. That way, there are less gaps.



8

Nail Down Wood Inlay Pieces

Using wood glue and 1 1/4" nails, attach wood inlay pieces to the table top.



9

Fill holes, Sand, Stain or Paint

Fill cracks and holes with wood filler and let dry. Sand the entire surface with 120 grit sandpaper first, being sure to remove all rough areas on top and sides. Then sand everything smooth with 220 grit sandpaper. If staining, it is recommended to use a wood conditioner before applying stain. I stained the top using Verathane's Sun Bleached oil based wood stain, then applying Annie Sloan Dark Wax on top. I painted the legs of my table using plain white latex paint.

