

Farmhouse End Table

By **Shades of Blue Interiors**

Difficulty

Moderate

A simple farmhouse end table with sturdy X supports on both sides plus a lower shelf will add style and function alongside a sofa for \$30 in materials. Dimensions 24 3/4" tall x 20" deep x 16" wide.





Tools

Kreg Tools



Other Tools

Miter Saw

Tape Measure

Drill (cordless)

Nail Gun

Sander

Materials

Wood Products

- 1 Board , 1x2 , 96"
- 2 Board , 1x3 , 96"
- 1 Board , 1x12 , 24"
- 1 Board , 2x6 , 72"

Hardware & Supplies









- 14 1 1/2" Pocket Hole Screws
- 10 2 1/2" Pocket Hole Screws
- 4 2" Wood Screws
- 1 220 Grit Sandpaper
- 1 Wood Filler
- 1 Minwax Oil Based Stain - Special Walnut
- 1 Valspar Oil Based Stain - Sunbleached
- 1 Minwax Wipe-On Poly
- 1 Wood Glue
- 32 1 1/4" Nails, 18 Gauge

Cut List & Parts

- 8 Angle Supports , 1x2 @ ~12" Longest Side (28 Degree Angle On One End, 62 Degree Angle Other End)
- 2 Base Leg Support , 1x3 @ 16" Longest Side (30 Degree Angle Cut On One End)
- 2 Legs , 1x3 @ 21"
- 2 Top Leg Support , 1x3 @ 15"
- 4 Feet , 1x3 @ 3" Longest Side (15 Degree Angle Cut On One End)
- 2 Table Top Support , 1x3 @ 13"
- 3 Plank Table Top , 1x6 @ 20"
- 1 Bottom Shelf , 1x12 @ 13"

Cut List for Farmhouse End Table



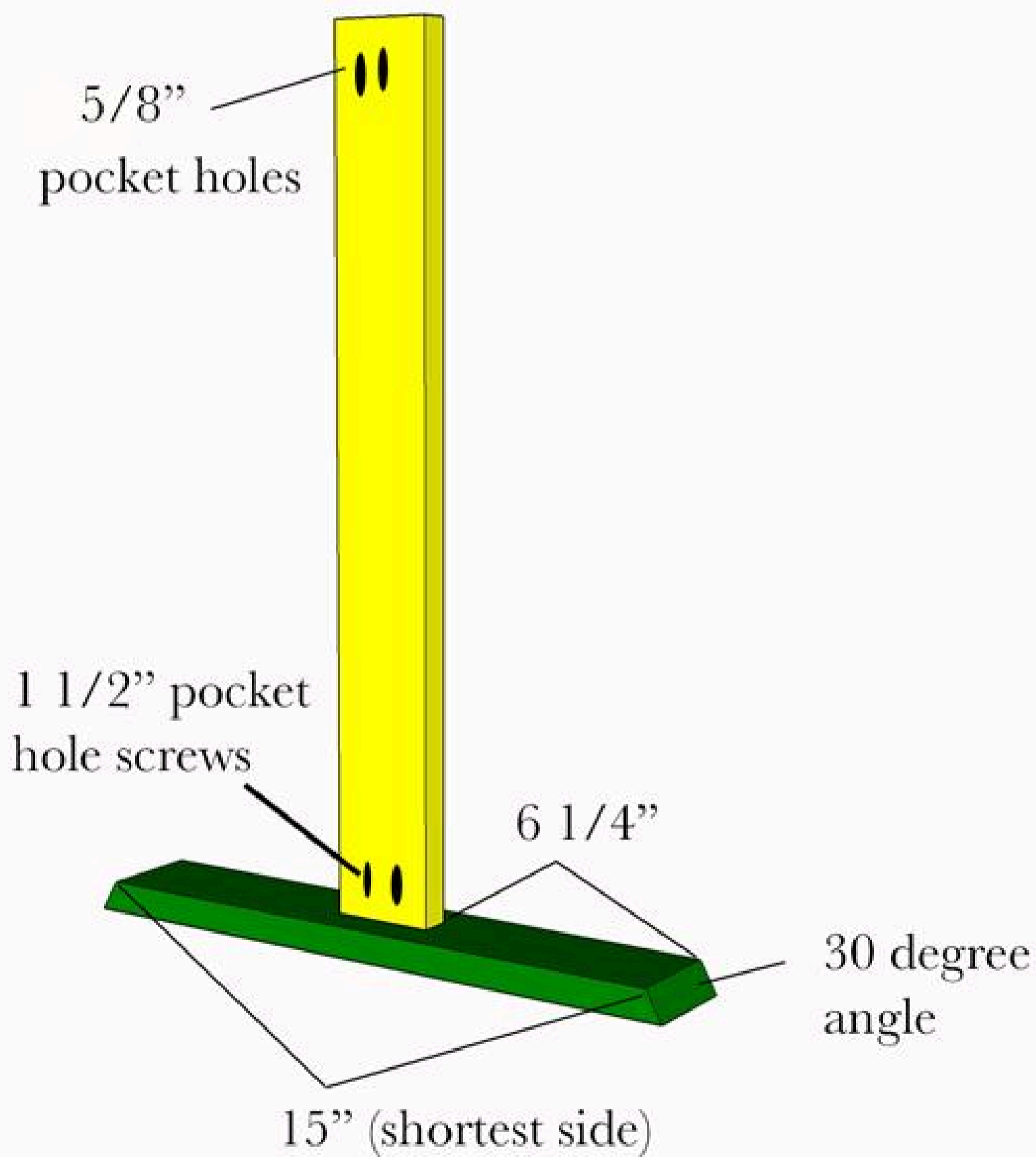
- | | | |
|--------------------------------------------------------------------------------------------------|---------------------------------------------------------------------------------------------------------------------------------------------------|--------------------------------------------------------------------------------------------------------------------------------------------------------------------|
|  1x12 @ 13" |  2- 1x3 @ 21" |  2- 1x3 @ 16" longest side
(30 degree angle on both sides) |
|  3- 1x6 @ 20" |  4- 1x3 @ 3 3/8" longest side
(15 degree angle on one side) |  8- 1x2 @ ~12"
(62 degree cut on one side,
28 degree cut on other side) |
|  2- 1x3 @ 13" |  2- 1x3 @ 15" | |

Directions

1

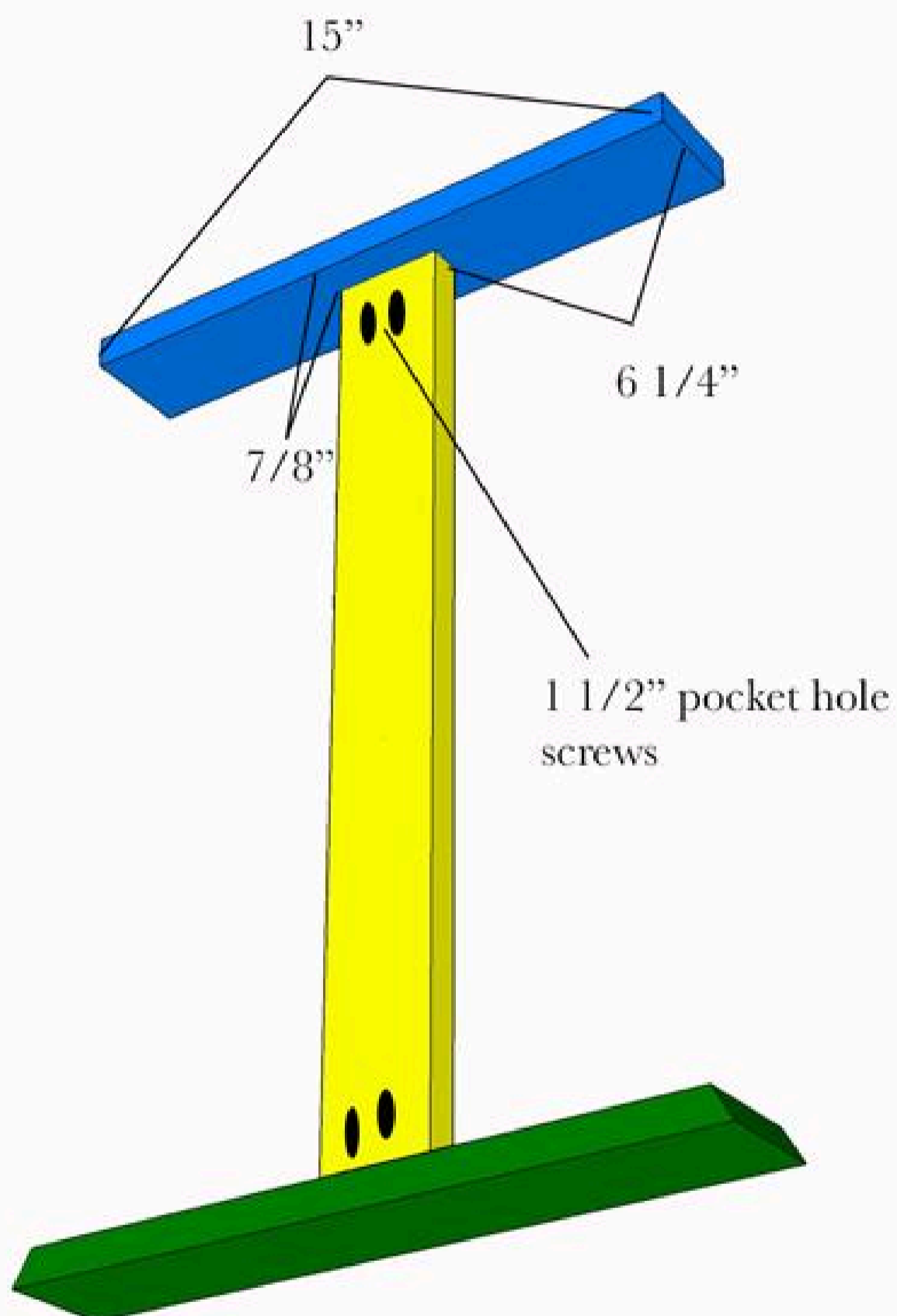
Attach Leg to Base

Drill 2- 5/8" pocket holes on both ends of the 21" long 1x3. On one of the base leg supports, measure and mark 6 1/4" from both ends of the short side. Between those two marks, measure and mark and 7/8" from each side of the width. This will indicate where the leg will need to be attached, completely centered in both directions. Use 1 1/2" pocket hole screws and wood glue to attach the leg to the base leg support with the longest side of the leg support facing down.



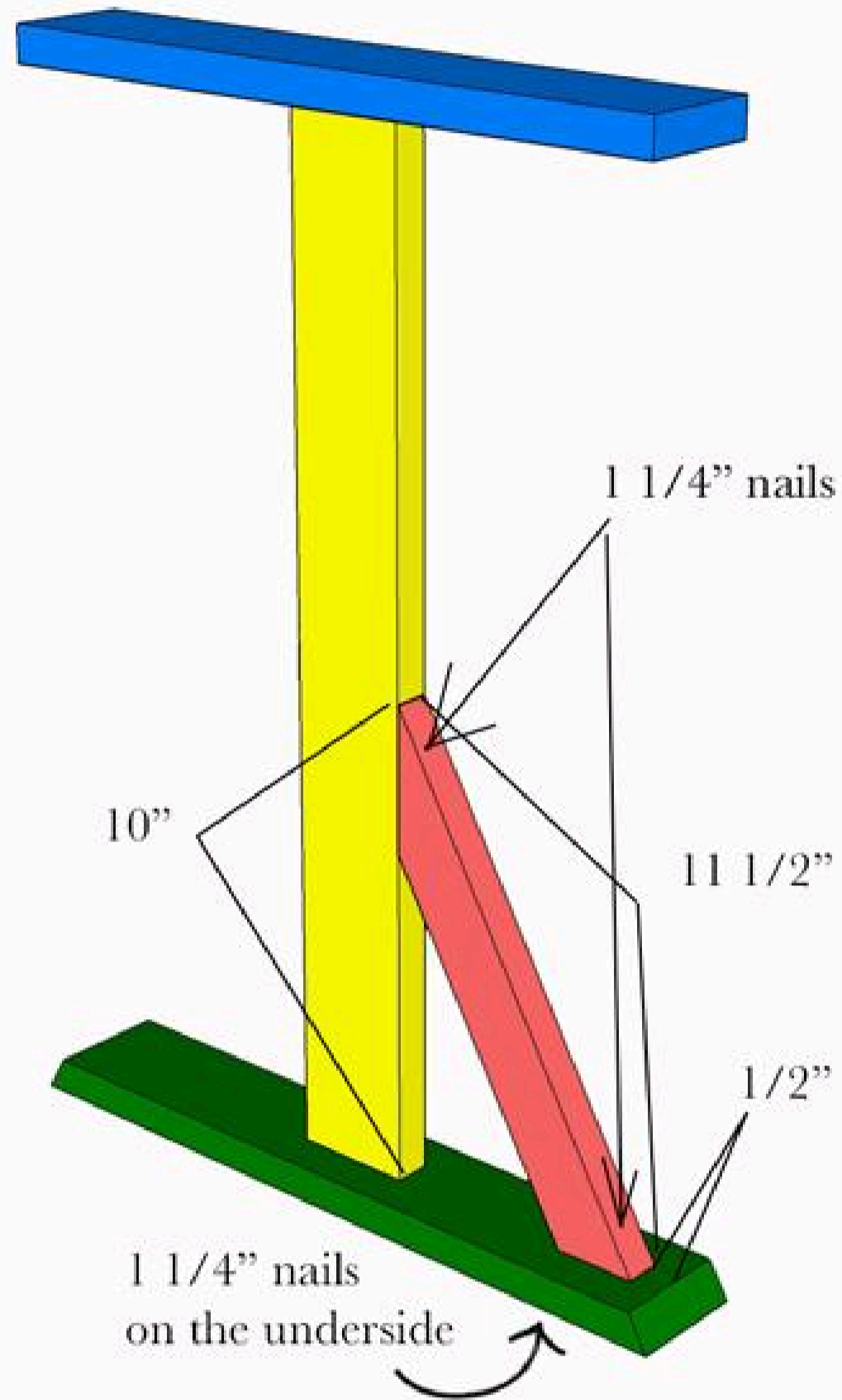
2**Attach Leg to Top Support**

Measure and mark the 15" 1x3 in the same way as was done with the base leg support in step 1. Attach the leg using 1 1/2" pocket hole screws and wood glue.



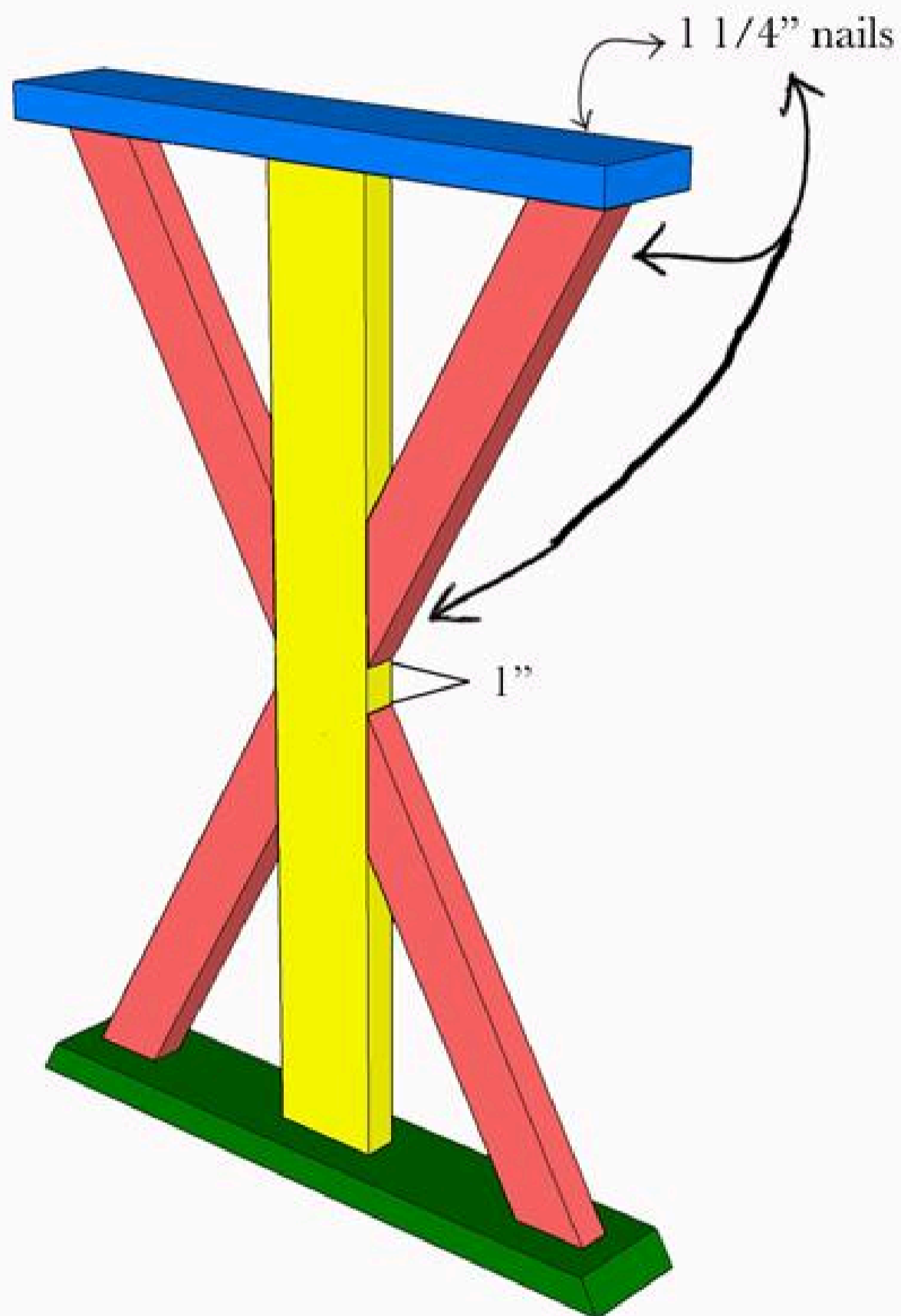
3**Attach Angle Support**

Mark 10" up from the base on the leg. Mark 1/2" centered, from the top end of the base leg support going inward. Place one of the angle supports so that the 62 degree cut end hits at about the 10" height and the 28 degree cut end hits centered at 1/2" from the angled edge of the base leg support. Using wood glue and 1 1/4" nails, shoot 2 nails into each end of the angled support, so that it is driving in at an angle. Drive a couple nails on the underside of the base leg support going into the angled support on the other side.



4**Attach Remaining Angle Supports**

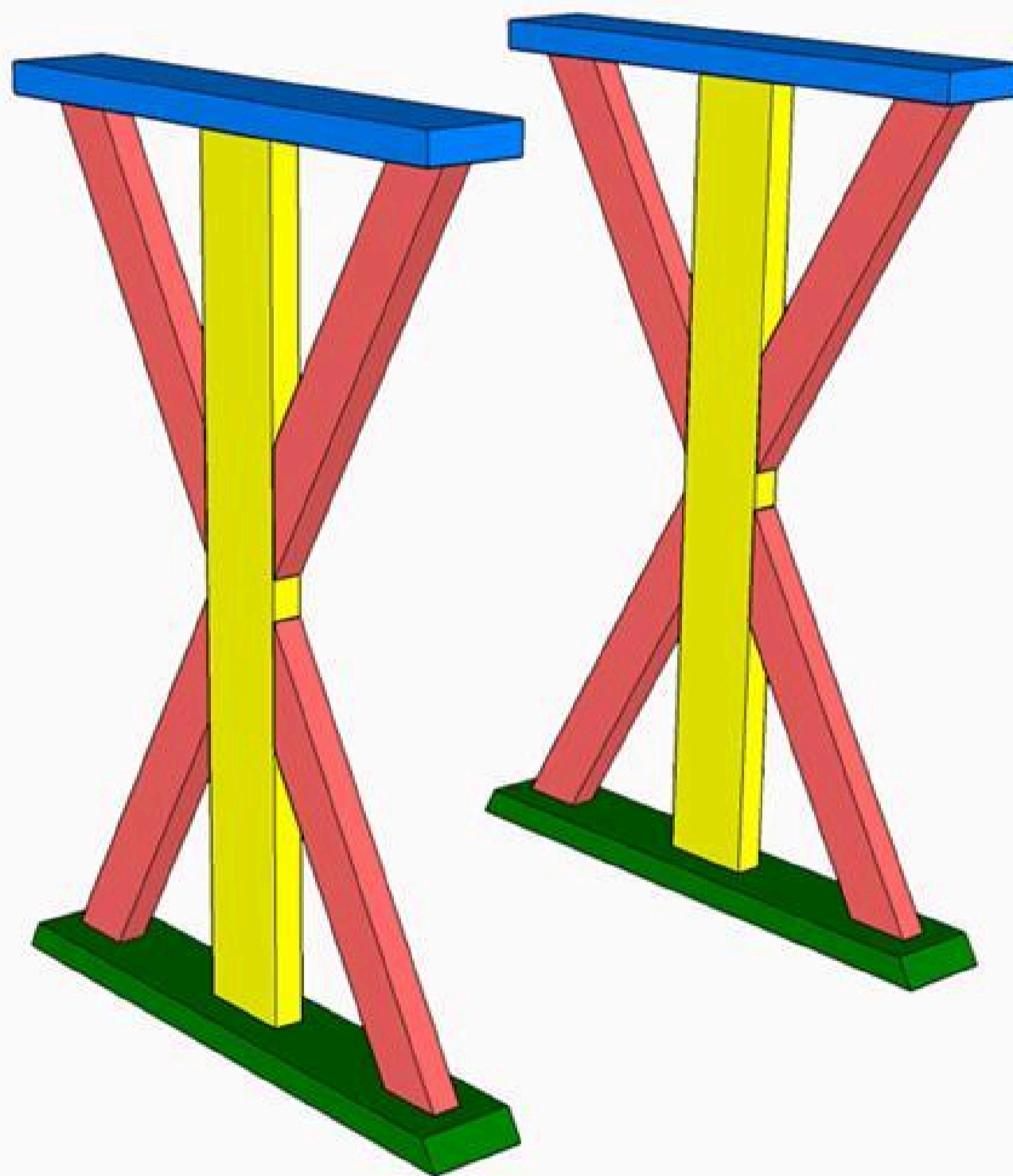
Attach the rest of the angle supports, starting at the base, and then at the top, flipping it over as you attach the angle supports to the leg top support, so that you are always driving the nails at a downward angle.



5

Make Other Leg + Supports

Repeat steps 1-4 for the other leg.

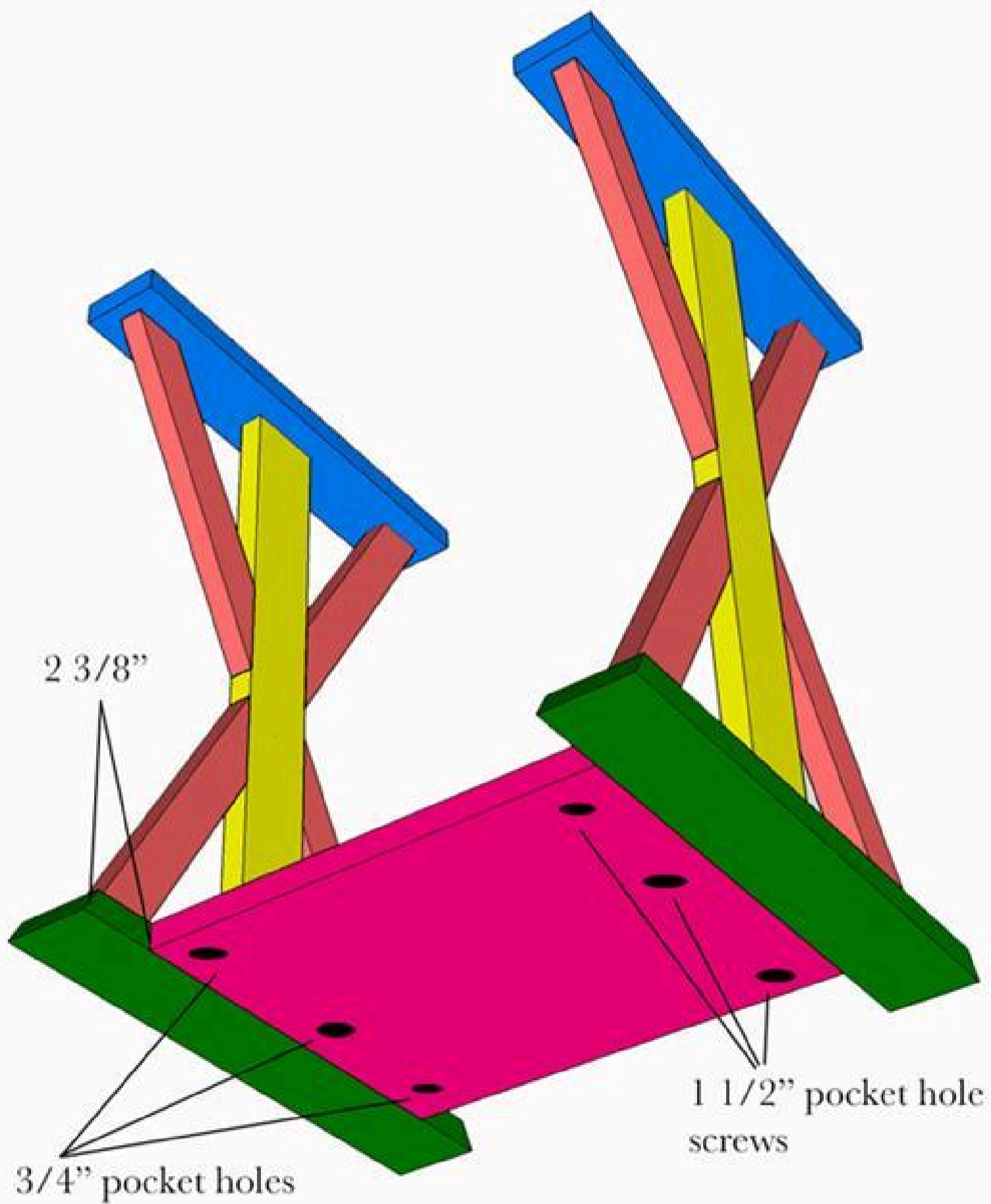


6

Attach Bottom Shelf

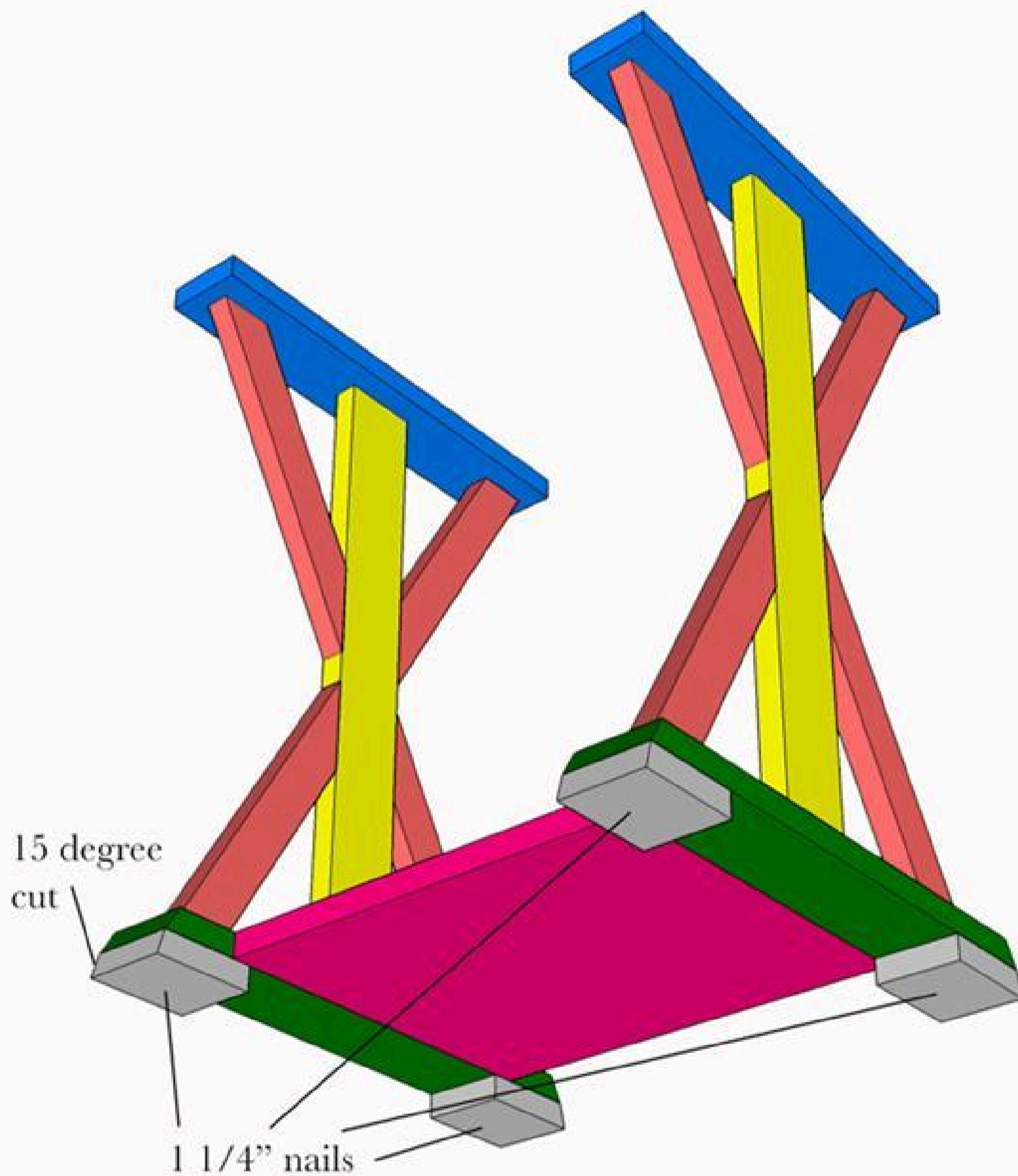
Drill 3- 3/4" pocket holes along the width (the 11 1/4" side) of the 1x12. Attach the 1x12 bottom shelf centered, to both leg base supports using 1 1/2" pocket hole screws and wood glue. Make sure there the shelf ends are attaching at 2 3/8" from either end of the long side of the leg base.

*Tip: In order to get an exact fit, I placed each leg + supports over a sawhorse and used a right angle clamp in the center hole, to keep the shelf in place while I attached the adjacent sides.



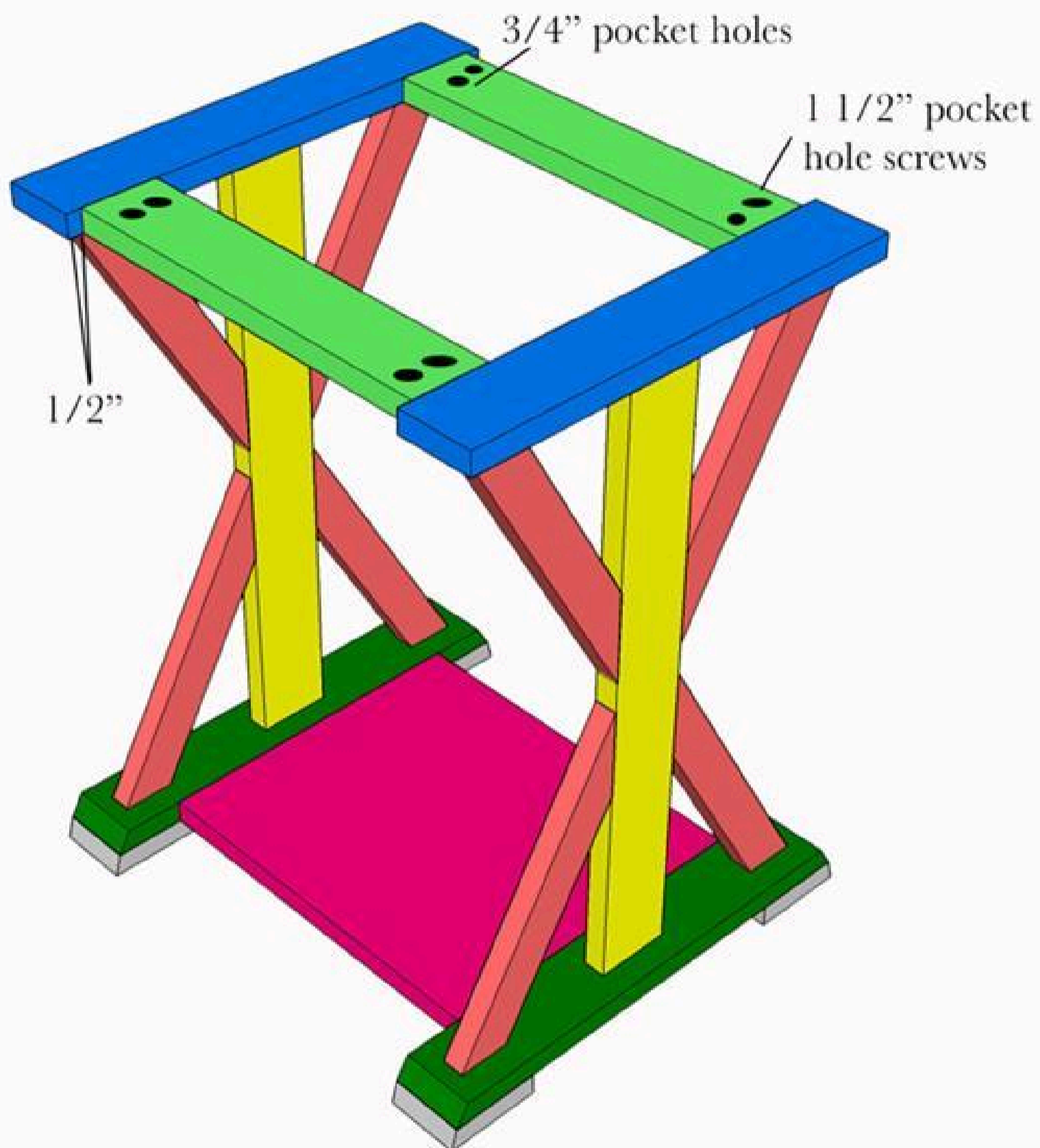
7**Attach Feet**

Attach all 4 feet to each end of the leg bases by using wood glue and 1 1/4" nails with the nail gun. Make sure the 15 degree cut side is facing out, just below the 30 degree cut side of the leg base.



8**Attach Table Top Supports**

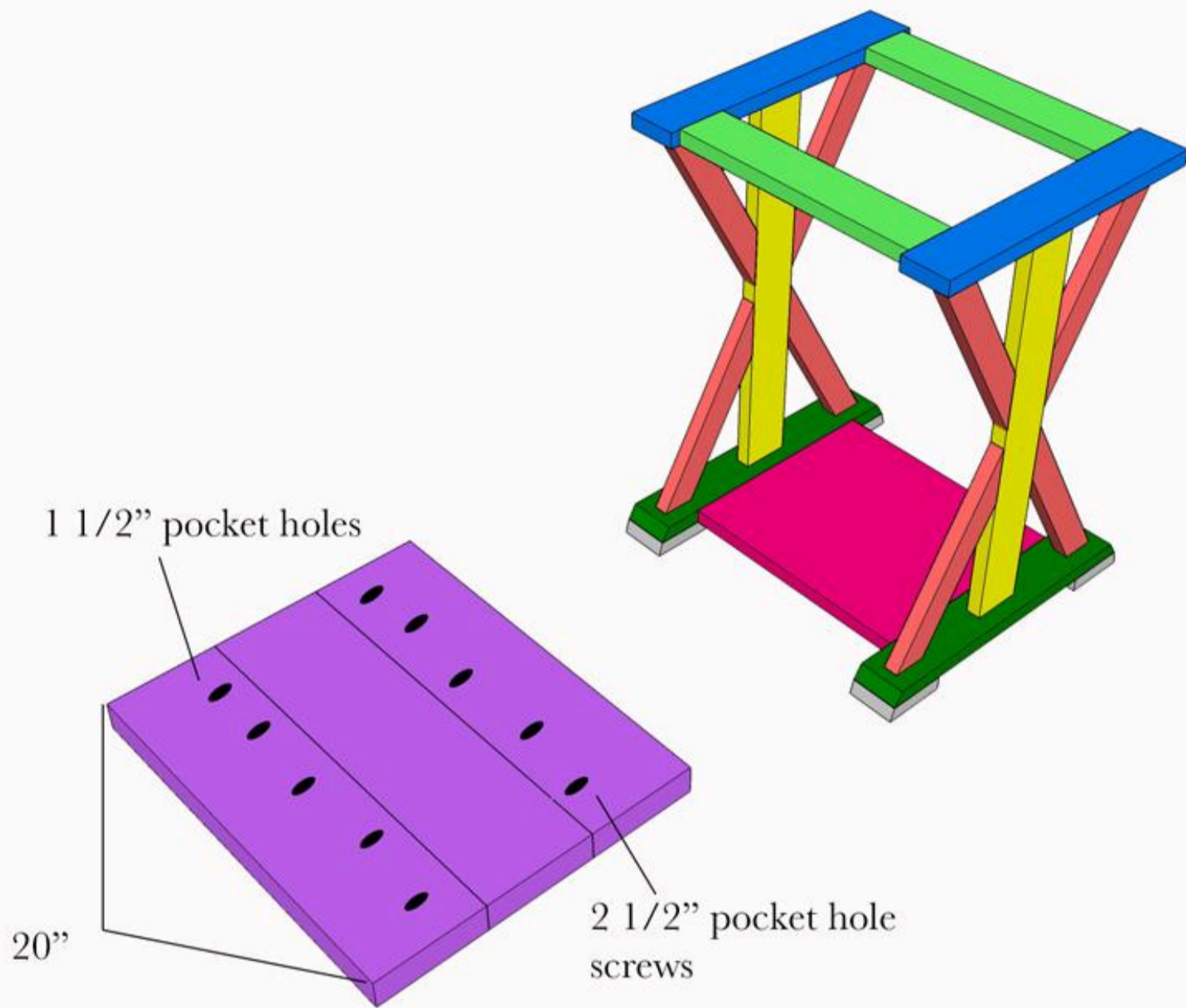
Drill 2- 3/4" pocket holes in both ends of the 13" 1x3s. Attach them between the top of the leg top supports, 1/2" from the ends, using wood glue and 1 1/2" pocket hole screws.



9

Make Planked Table Top

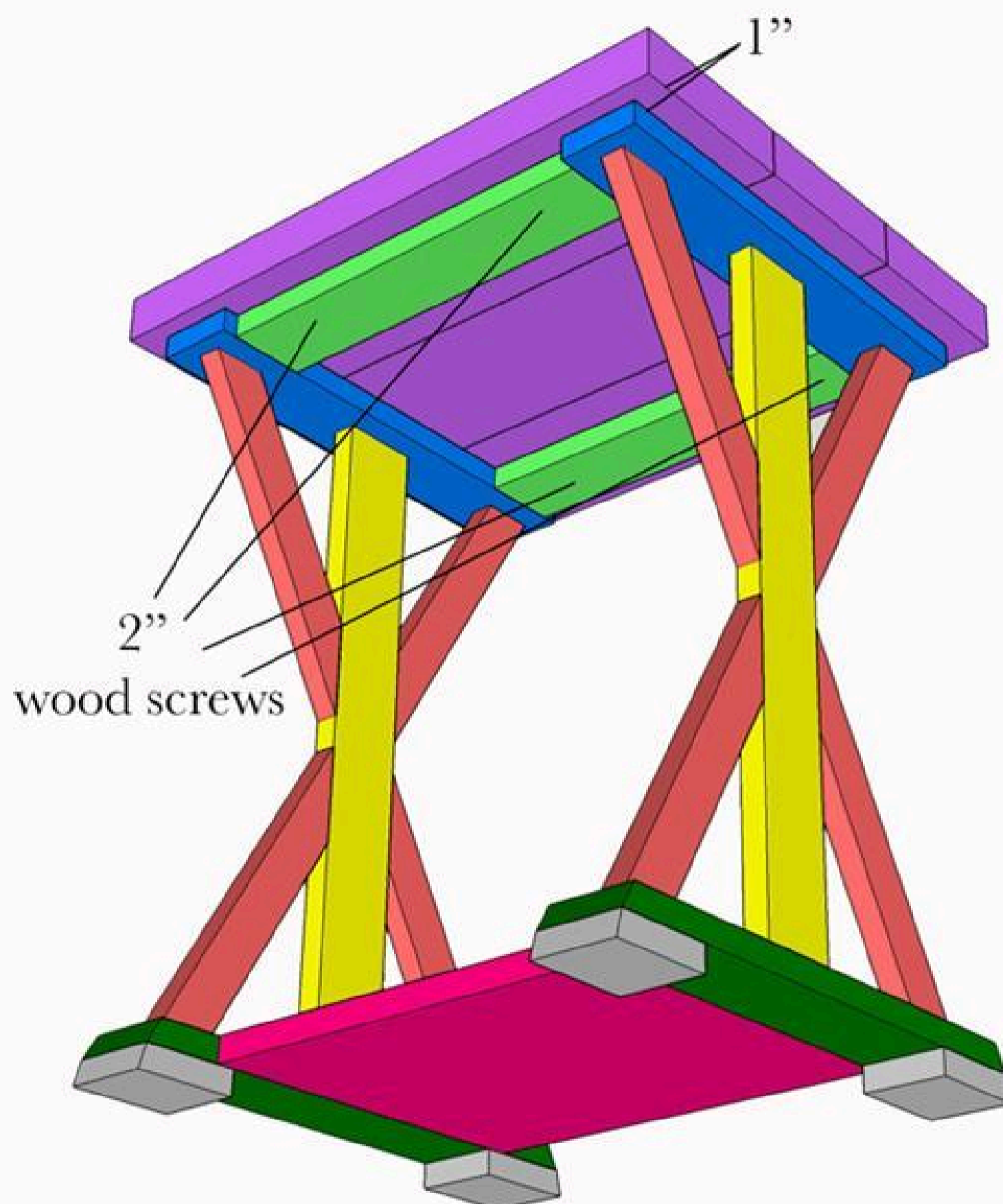
Drill 5- 1 1/2" pocket holes on one side of 2 of the 1x6s. Using clamps and wood glue, drive 2 1/2" pocket hole screws from the outer two 1x6s into the center board, making sure the planks are flush and flat to the ground when attaching the screws.



10

Attach Planked Top to Supports

Place the legs and table top supports upside down on top of the planked table top (pocket hole screws facing up as you attach everything together). Drive 4- 2" wood screws from the the 13" long table top supports, down to the planked 2x6s, one screw for each corner. You might have to pre-drill your holes, depending on the type of wood screw you are using. If you have self-tapping screws, then you won't need to pre-drill holes.



11**Fill Holes, Sand, & Stain**

Fill all cracks, knots, and nail holes with wood filler. Let dry completely, and sand the entire surface of the table with 220 grit sandpaper using an orbital sander. Stain the wood to your choice or if you would like to achieve the same look as pictured in the final product, stain the wood first with Minwax Special Walnut. After about 10 minutes, wipe on Valspar Sunbleached stain, making sure to quickly remove excess. Let the stain dry completely before using a polyurethane top coat like Minwax Wipe-On Poly in Satin.

