

Mod Children's Chair (Land of Nod Knock-off)

By **Reality Daydream**

Difficulty

Easy

Super cute yet sturdy and functional chair for the kiddos!



Tools

Kreg Tools



[Kreg® Pocket-Hole Jig 720](#)

Other Tools

Drill Press

Scroll Saw

Table Saw

Tape Measure

Clamps

Drill (cordless)

Router

Router Table

Sander

Materials

Wood Products

1 Board , 1x4 , 96"

1 Board , 1x8 , 48"

Hardware & Supplies

25 1 1/4" Pocket Hole Screws

1 Wood Glue

Cut List & Parts

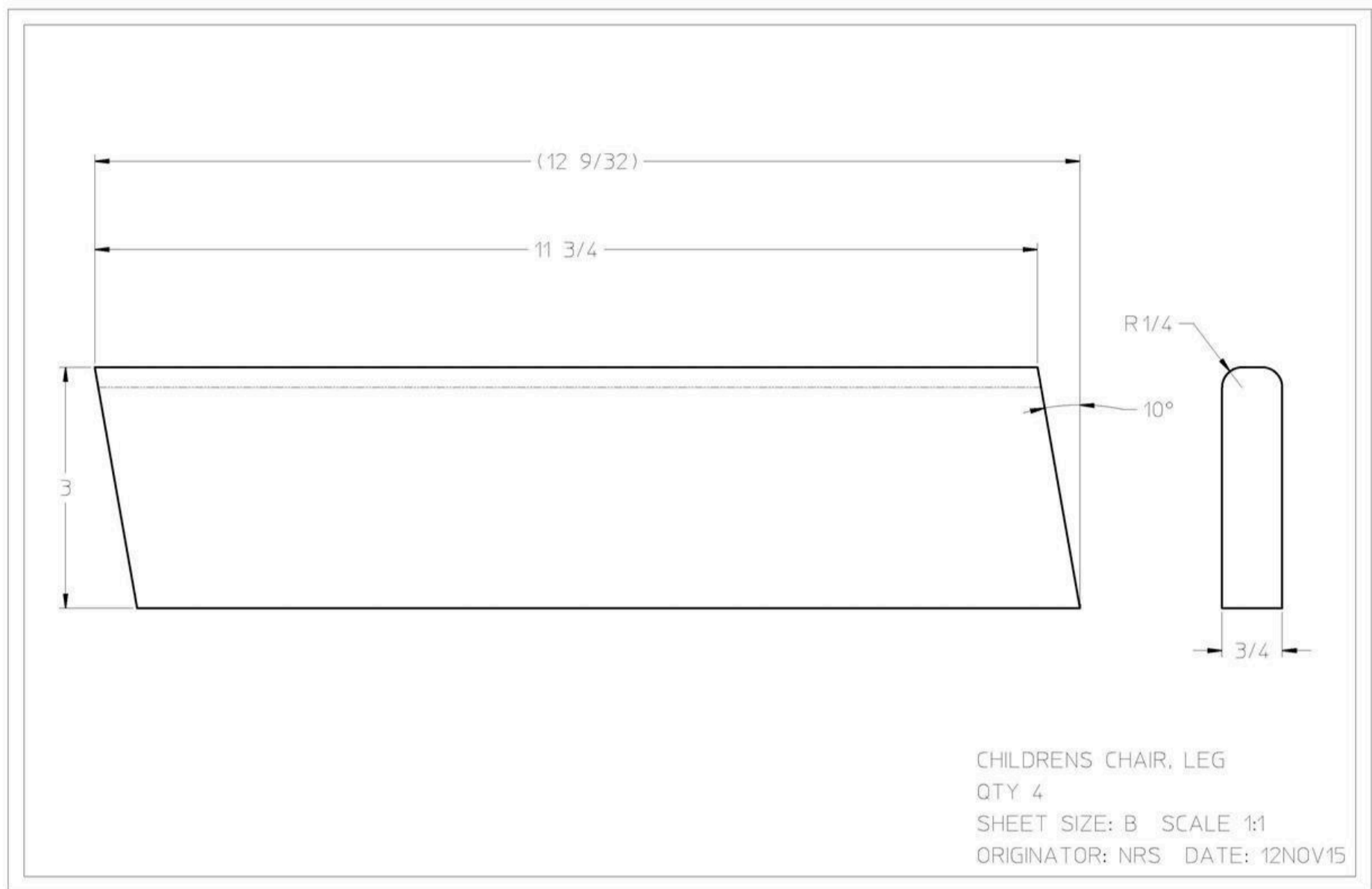
- 4 CHILDREN'S CHAIR, LEG , 3/4" X 3" X 12 3/8"
- 2 CHILDREN'S CHAIR, LEG JOINER , 3/4" X 3" X 6 3/8"
- 1 CHILDREN'S CHAIR, SEAT , 3/4" X 12" X 12 3/8"
- 1 CHILDREN'S CHAIR, BACK , 3/4" X 6 1/4" X 10 3/4"
- 2 CHILDREN'S CHAIR, SEAT BRACE , 3/4" X 1 1/4" X 10 1/2"

Directions

1

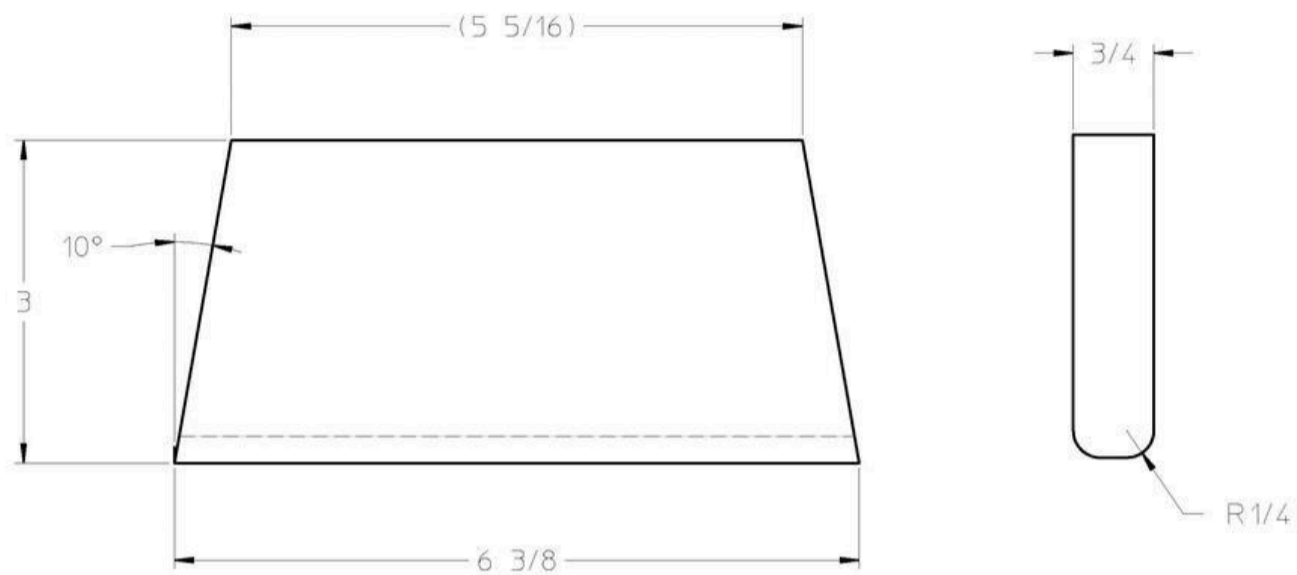
Leg

Cut four legs as shown and route the long outside edge using a 1/4" round-over bit.



2**Leg Joiner**

Cut two leg joiners as shown.

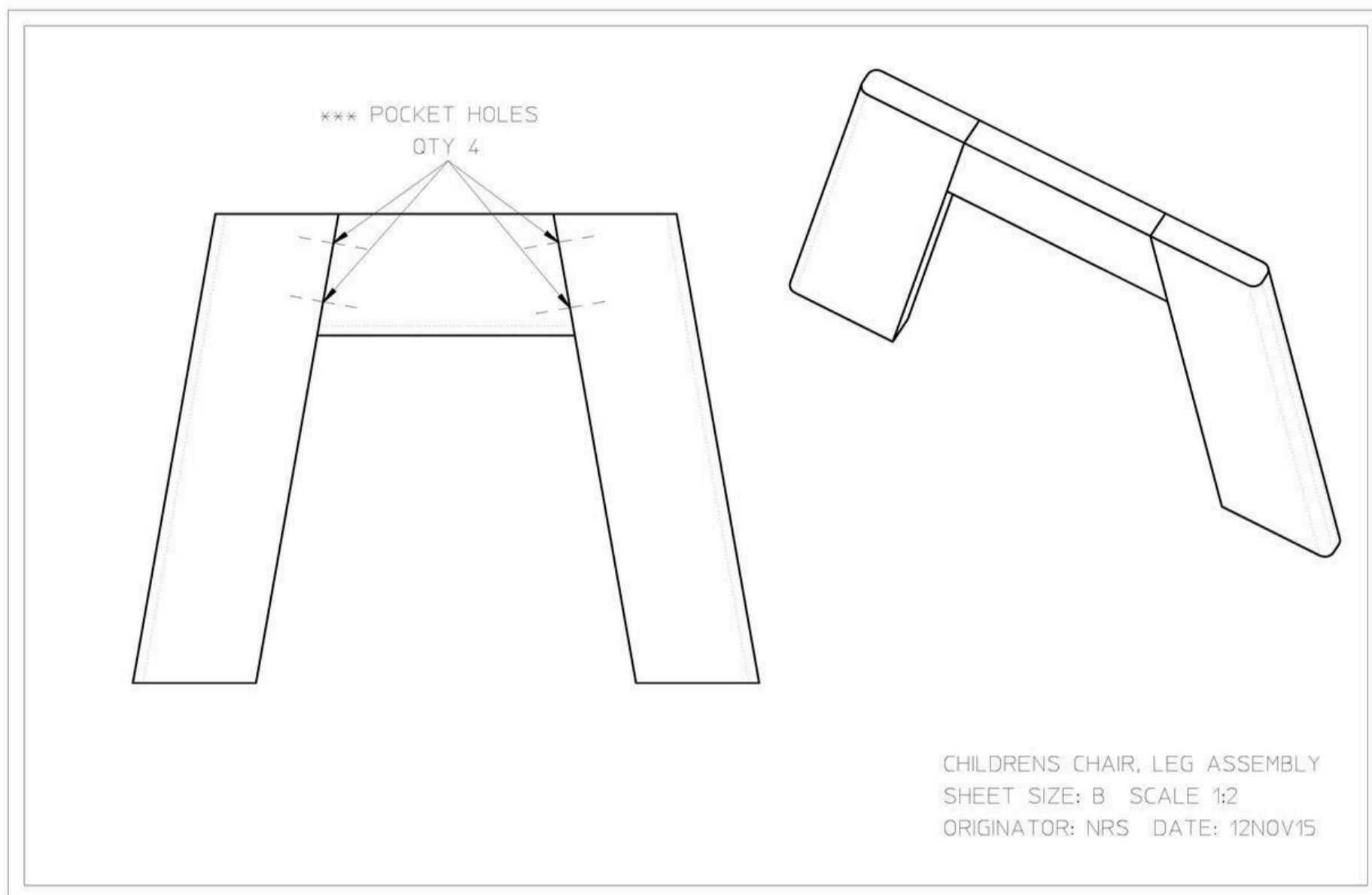


CHILDRENS CHAIR, LEG JOINER
QTY 2
SHEET SIZE: B SCALE 1:1
ORIGINATOR: NRS DATE: 12NOV15

3

Leg Assembly

Drill four pocket holes, glue, clamp and screw. Once cured route the inside edge of the leg and bottom of the leg joiner using a 1/4" round-over bit. Note: everything should be routed at this point except where the seat will be positioned.



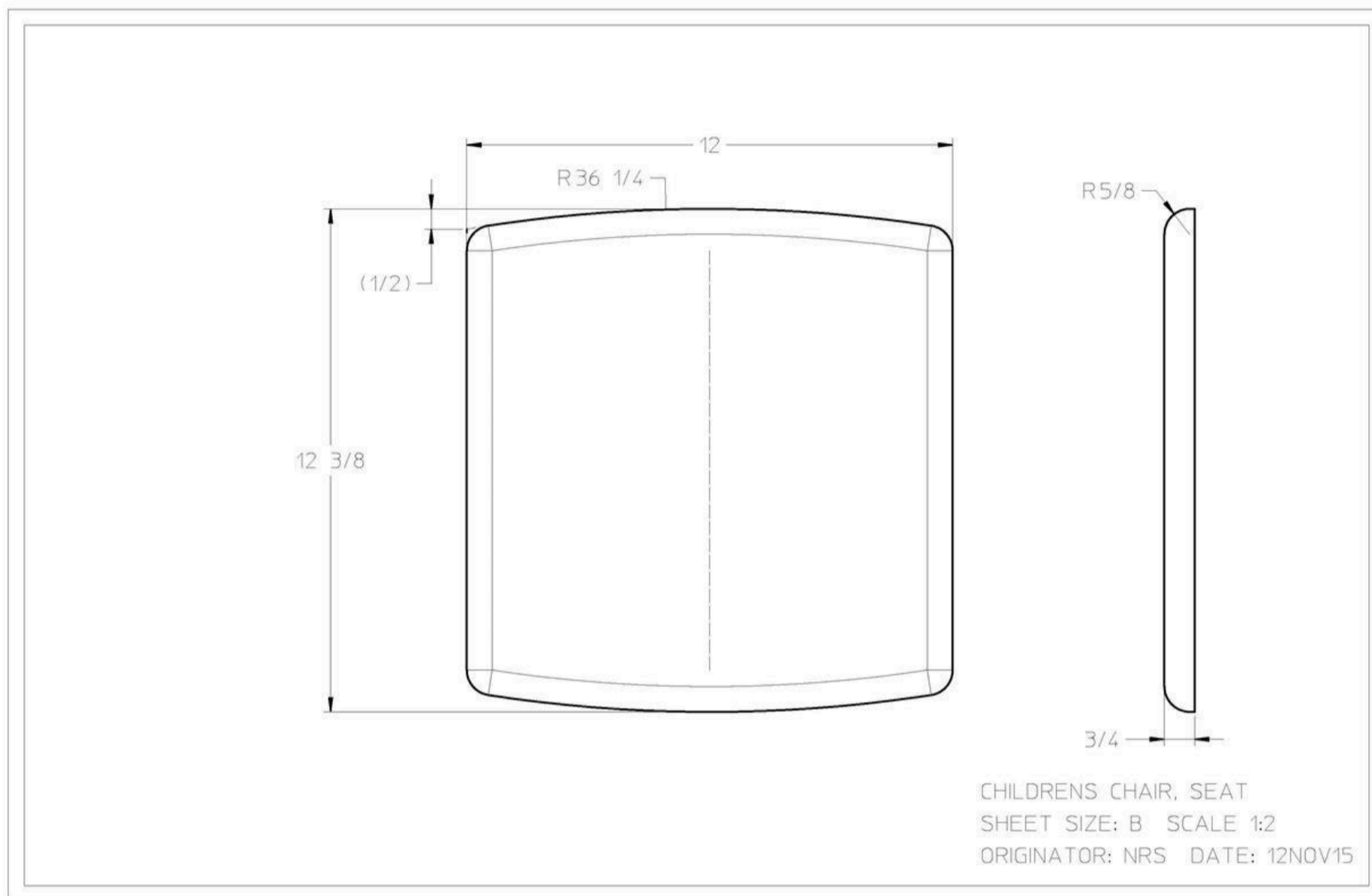
4**Seat**

Cut the seat as shown. If you don't have a board the is 12" wide glue a couple 1x8" boards together.

Mark and cut the 36 1/4" radius located on the front and back of the seat.

Note: I use a thin scrap of wood and flex it to mark the large radius on the front and back of the seat.

Route the top edges of the seat using a 5/8" round-over bit.



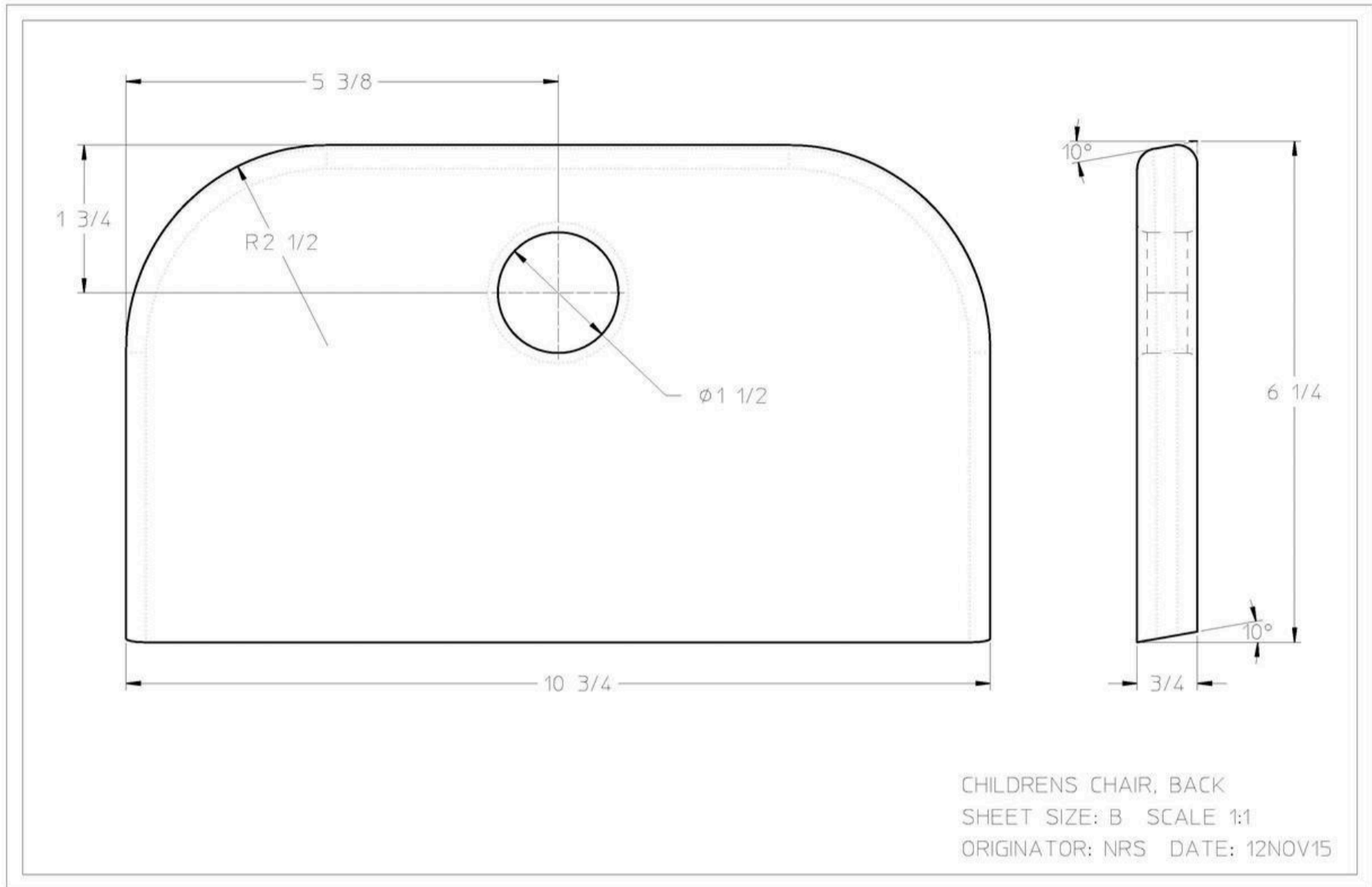
5**Seat Back**

Cut as shown.

Cut 2 1/2" radius corners using a scroll saw

Drill 1 1/2" through hole using a forstner bit and a drill press

Route outside edges with a 1/4" round-over bit

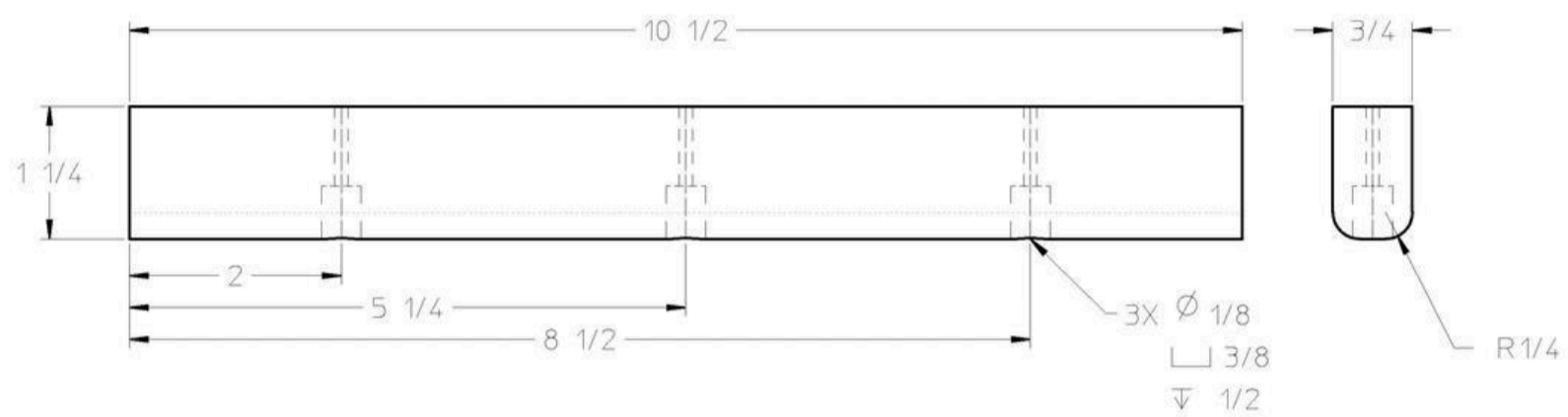


6**Seat Braces**

Cut two braces as shown.

Drill three counter-bores to attach the seat. Kreg's pocket hole drill bit works well for this.

Route bottom edges with a 1/4 round-over bit.



CHILDRENS CHAIR, SEAT BRACE
QTY 2
SHEET SIZE: B SCALE 1:1
ORIGINATOR: NRS DATE: 12NOV15

7

Assembly

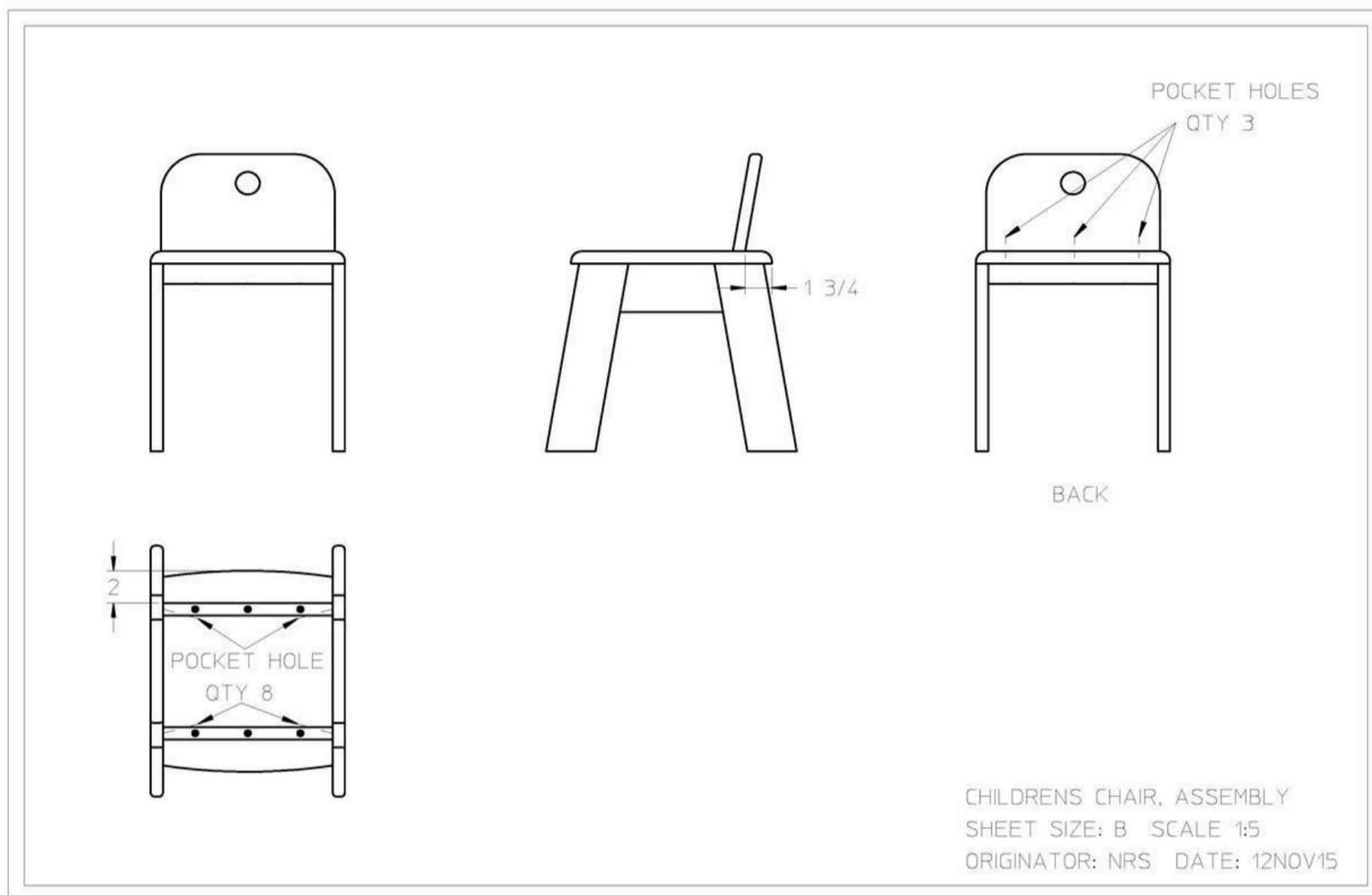
Assemble chair as shown.

Drill 2 pocket on the short edge of each seat brace.

Glue, clamp and screw the braces into the legs.

Glue, clamp and screw the leg assemblies to the seat.

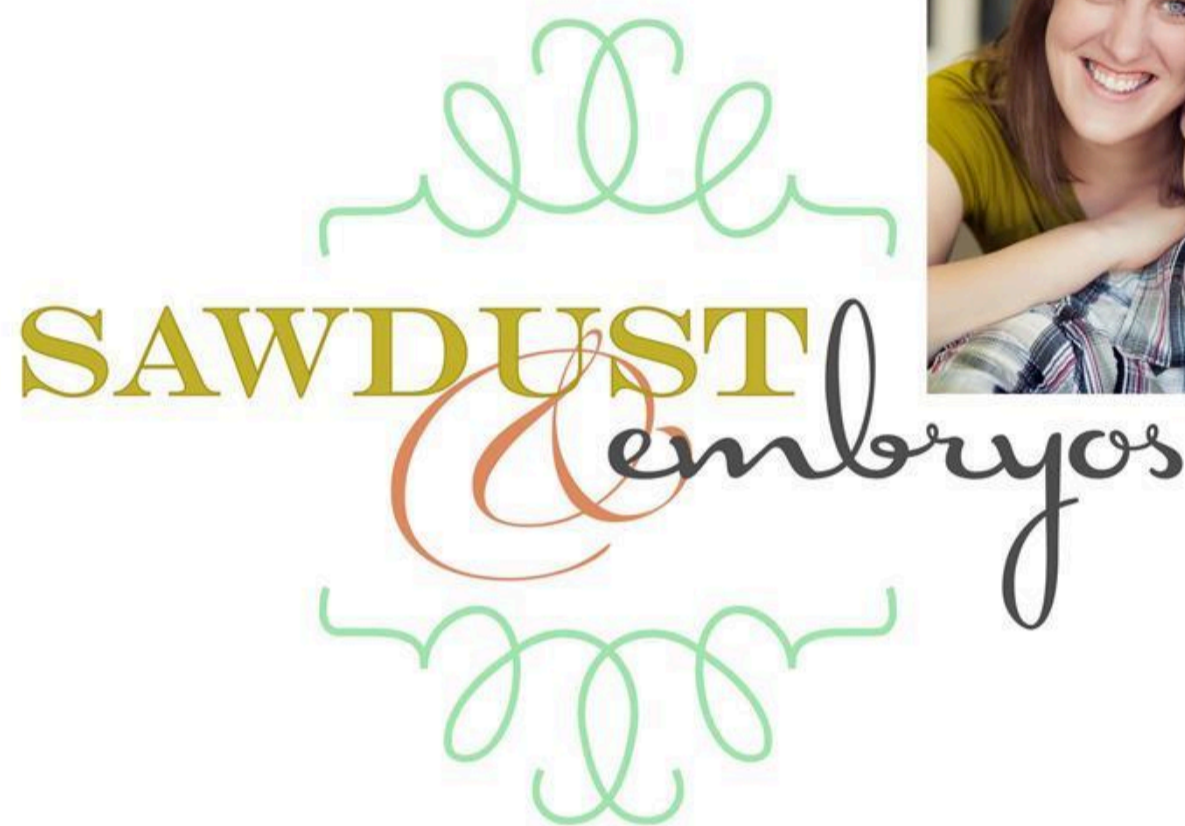
Flip the seat over, glue and screw the back to the seat...



8

Review and CHECK US OUT...

For more information check us out at www.sawdustandembryos.com



www.SawdustAndEmbryos.com