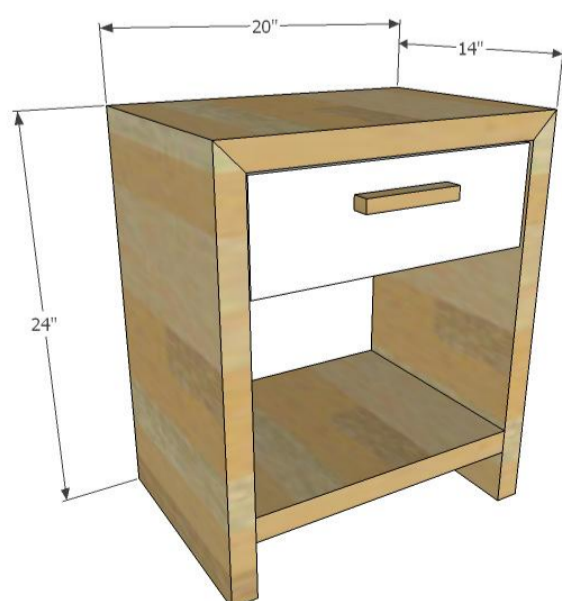
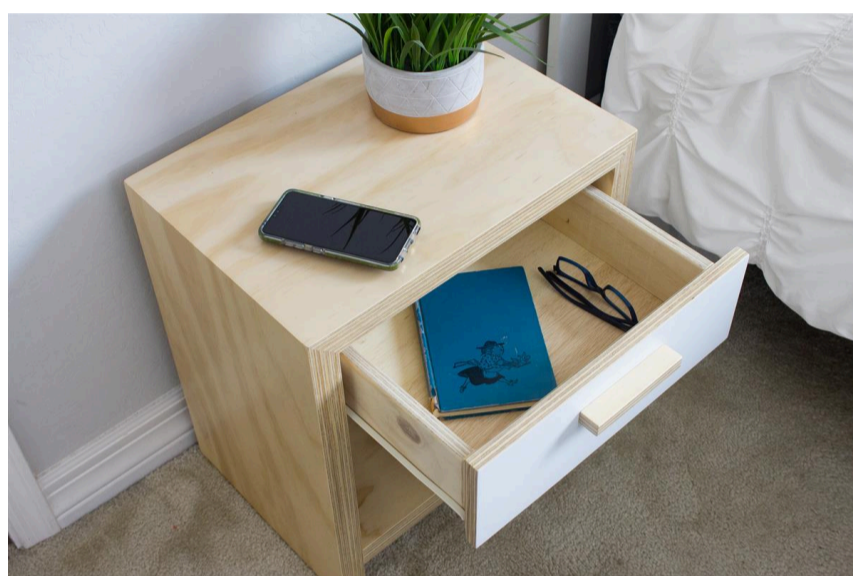


Waterfall Edge Modern Nightstand

By **Pneumatic Addict**

Difficulty
Moderate

Whether you're using an exotic live edge board or inexpensive plywood, this simple one drawer nightstand shows off the beautiful natural grain of the material. The clean mitered corners add to the sleek and modern lines of the piece. Build a pair with just two sheets of 3/4" plywood!



Tools

Kreg Tools



Accu-Cut™



Adaptive Cutting System Saw + Guide Track Kit



Wood Project Clamp - 6"



Kreg® Pocket-Hole Jig 720



Drawer Slide Jig

Other Tools

Square

Tape Measure

Drill (cordless)

Nail Gun

Router

Sander

Materials

Wood Products

1 Plywood , 3/4" Thick , Full Sheet

1 Plywood , 1/4" Thick , Quarter Sheet

Hardware & Supplies

50 2-1/2" Pocket Hole Screws

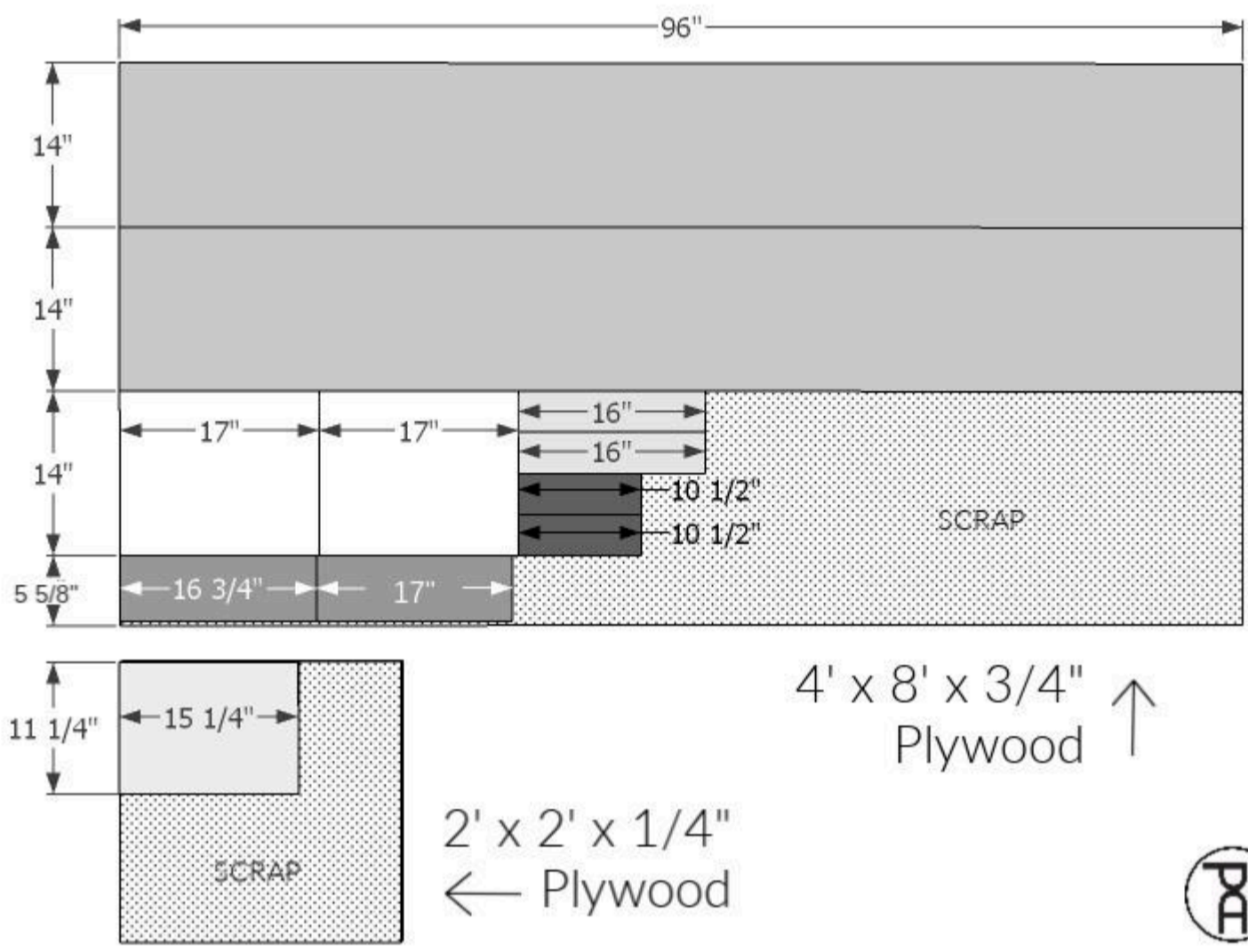
50 1-1/4" Pocket Hole Screws

100 1-1/4" 23-gauge Pins

1 12" Drawer Glides

Cut List & Parts

- 2 Body Panels, 3/4" X 14" X 96"
- 2 Shelf Panels, 3/4" X 14" X 17"
- 1 Back Board, 3/4" X 17" X 5-5/8"
- 1 Drawer Face, 3/4" X 16-3/4" X 5-5/8"
- 2 Drawer Box Side, 3/4" X 3-1/2" X 10-1/2"
- 2 Drawer Box Front/Back, 3/4" X 3-1/2" X 16" Approx.
- 1 Drawer Box Bottom, 1/4" X 11-1/4" X 15-1/4" Approx.
- 1 Scrap Handle, 3/4" X 1" X 5-5/8"

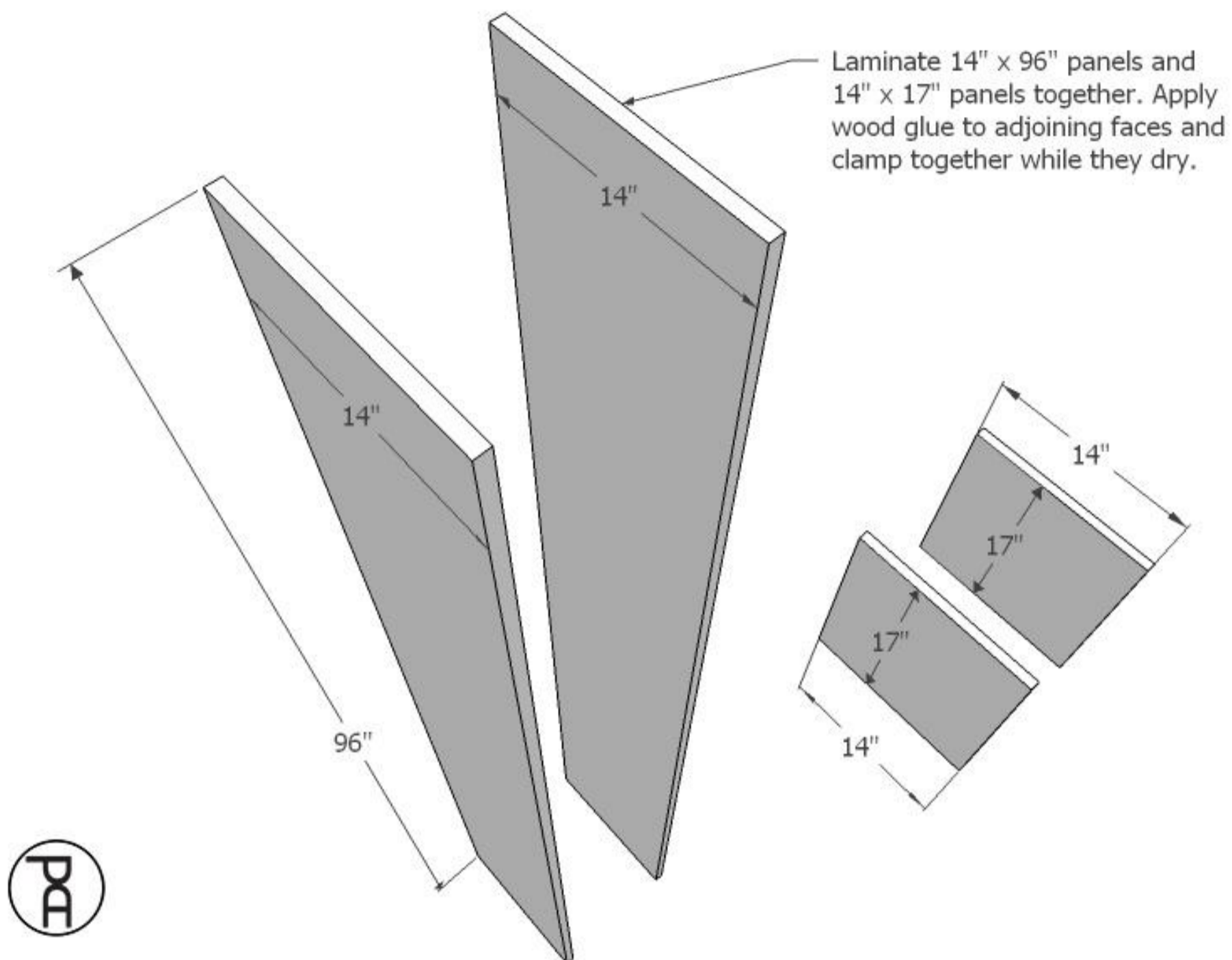


Directions

1

Laminate Panels

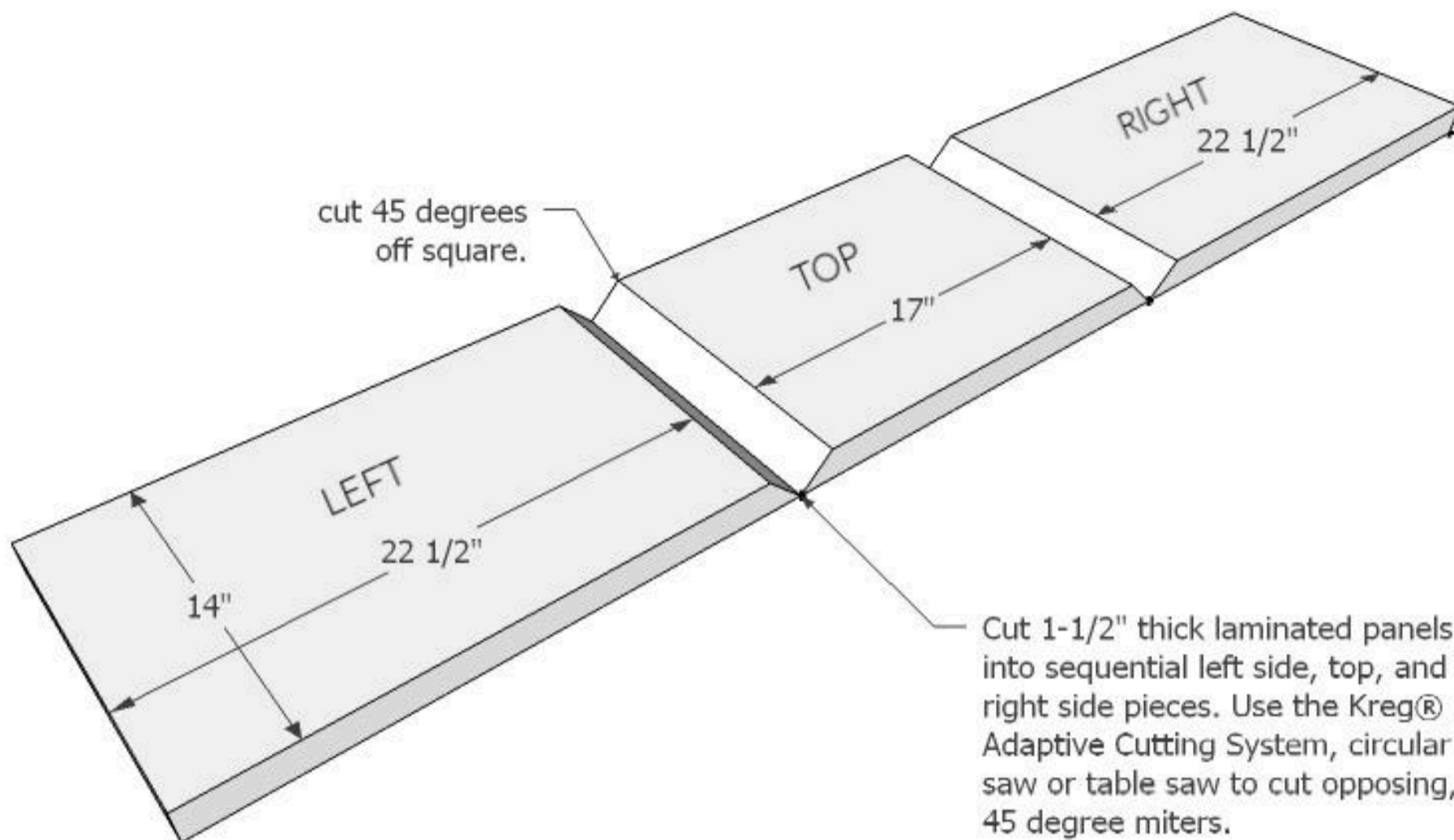
Laminate 14" x 96" plywood pieces and 14" x 17" plywood pieces together to create 1-1/2" thick panels. Apply wood glue to adjoining faces and clamp together while they dry.



2

Miter Panels

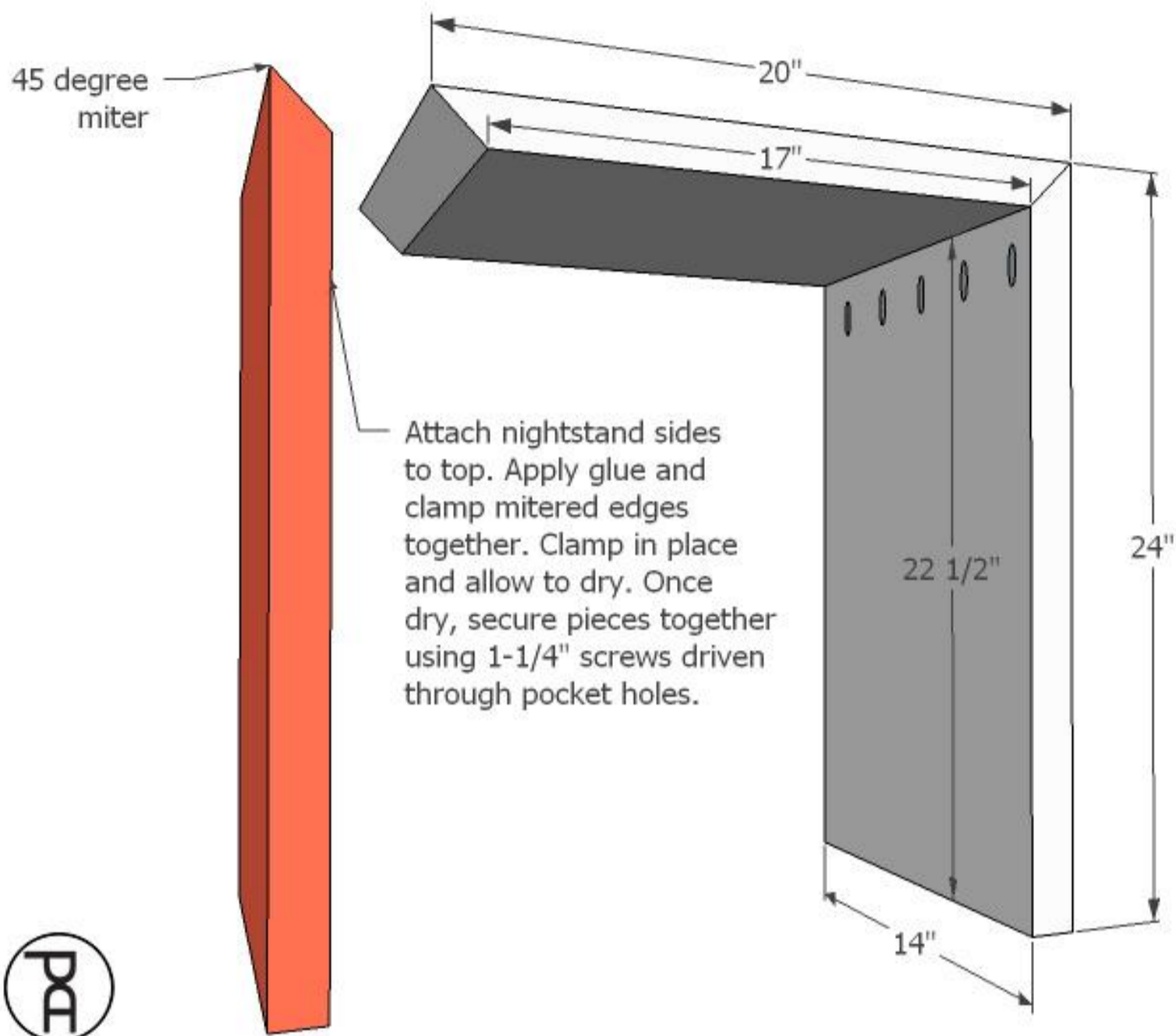
Cut 1-1/2" thick laminated panels into sequential left side, top, and right side pieces. Use the Kreg® Adaptive Cutting System, circular saw or table saw to cross-cut opposing, 45 degree miters. Cut the ends of the leg panels square at 90 degrees.



3

Attach Sides to Top

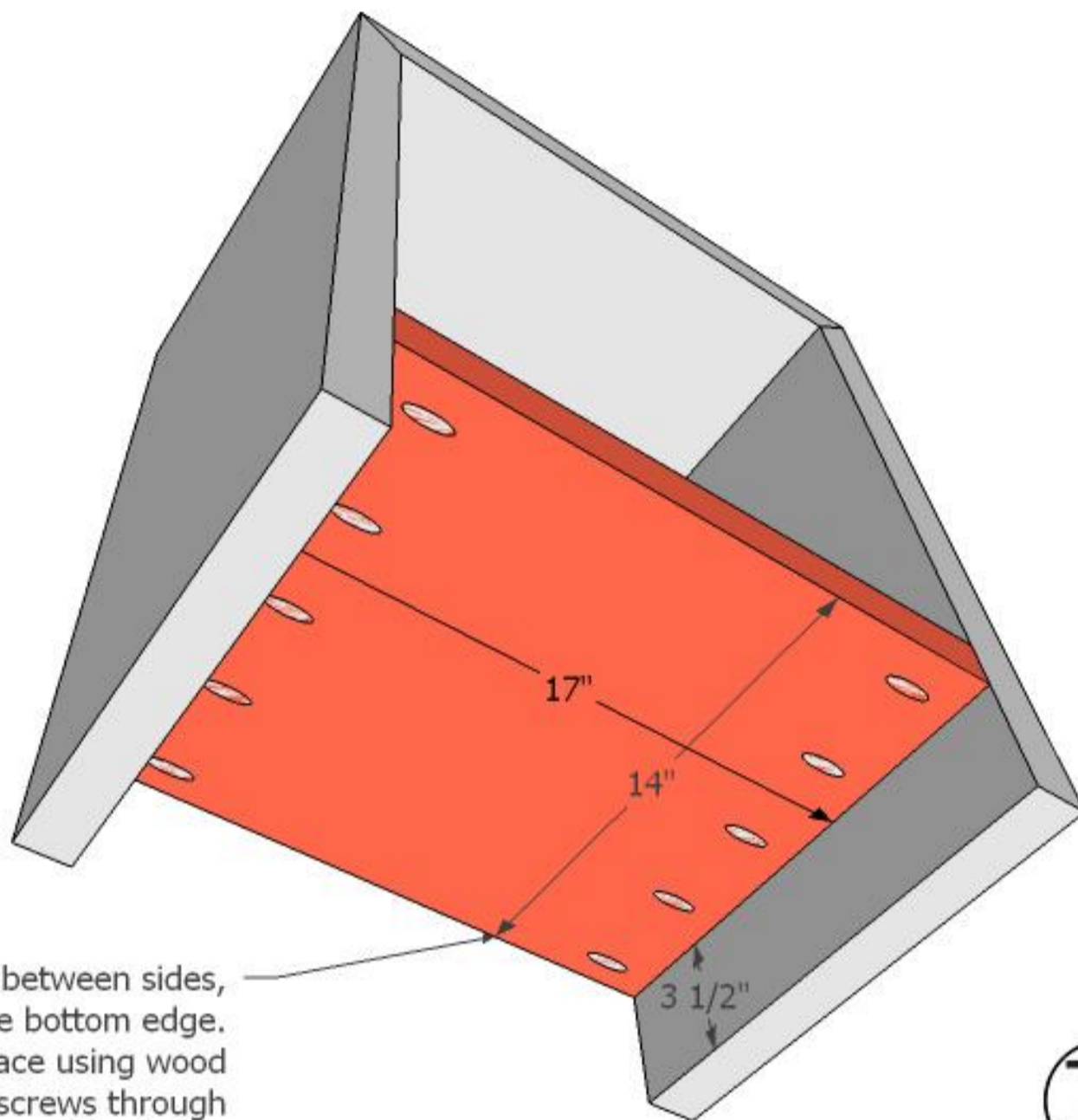
Attach mitered, 1-1/2" thick sides to top. Apply glue and clamp mitered edges together. Clamp in place and allow to dry. Once dry, secure pieces together using 1-1/4" screws driven through pocket holes.



4

Attach Shelf

Space lower shelf between sides, 3-1/2" from the bottom edge. Secure in place using wood glue and 2-1/2" screws through pocket holes.



Space shelf between sides, 3-1/2" from the bottom edge. Secure in place using wood glue and 2-1/2" screws through pocket holes.

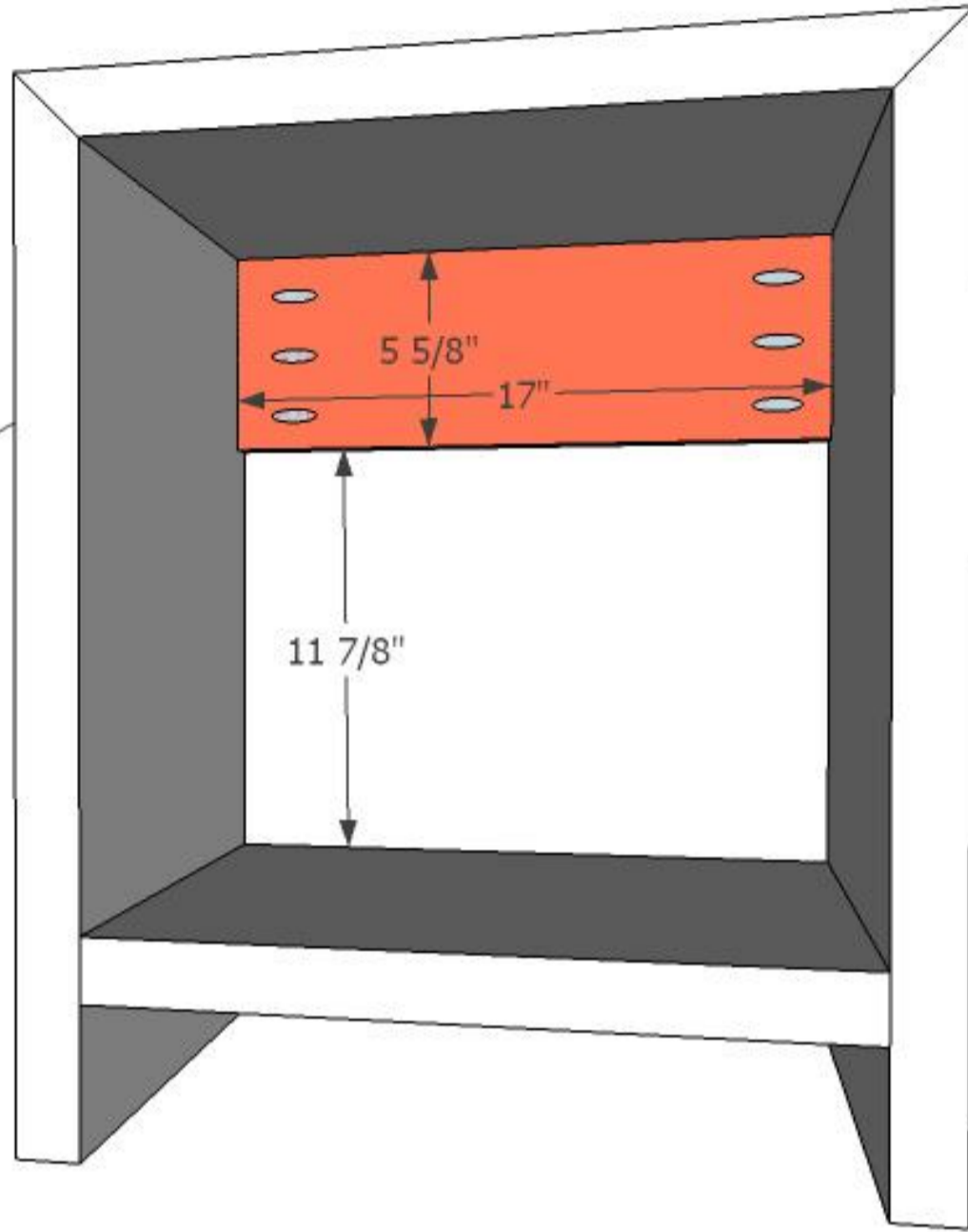


5

Back Board

Insert back board along the top edge of the opening. Secure in place using glue & 1-1/4" screws through pocket holes.

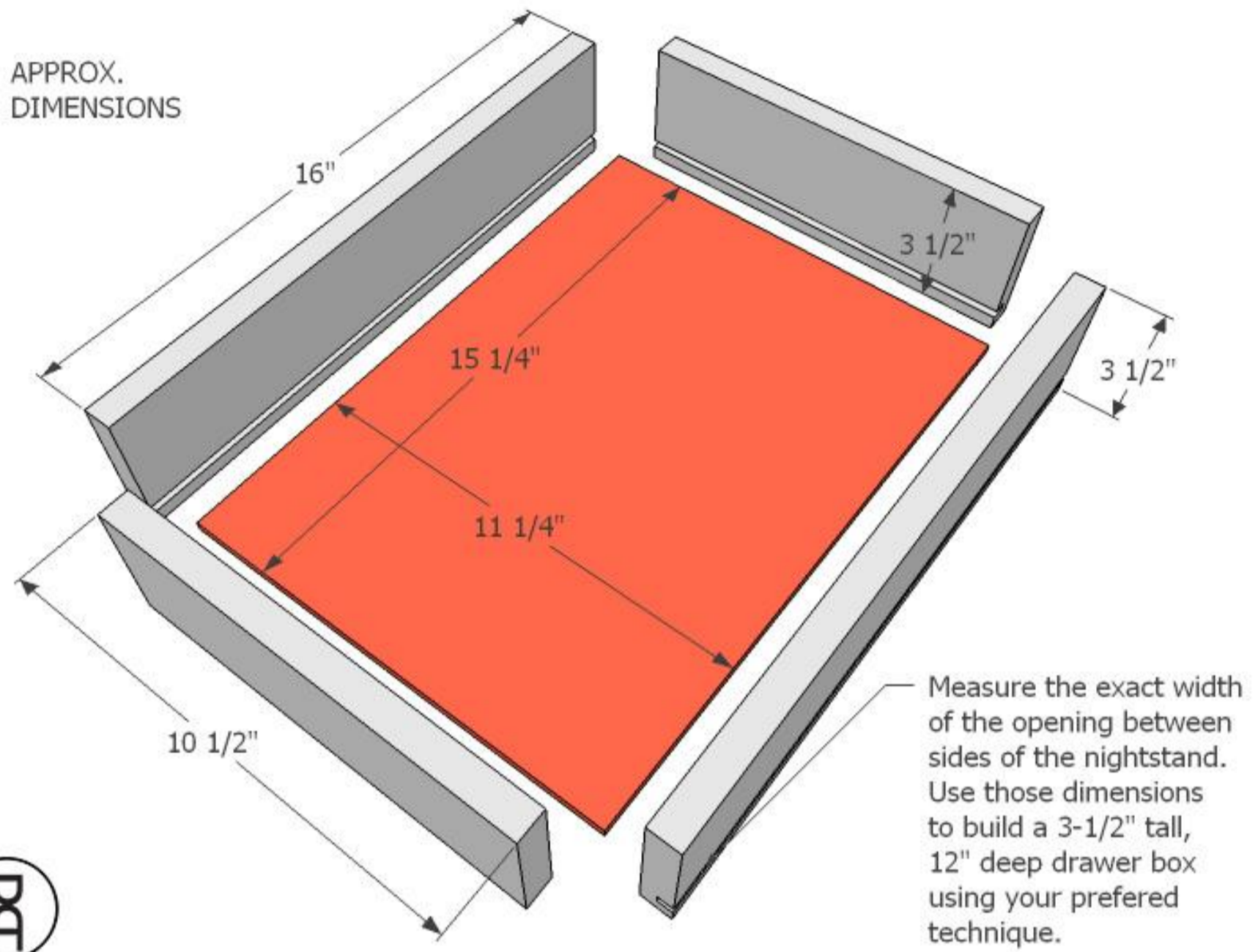
Insert back board along the top edge of the opening. Secure in place using glue & 1-1/4" screws through pocket holes.



6

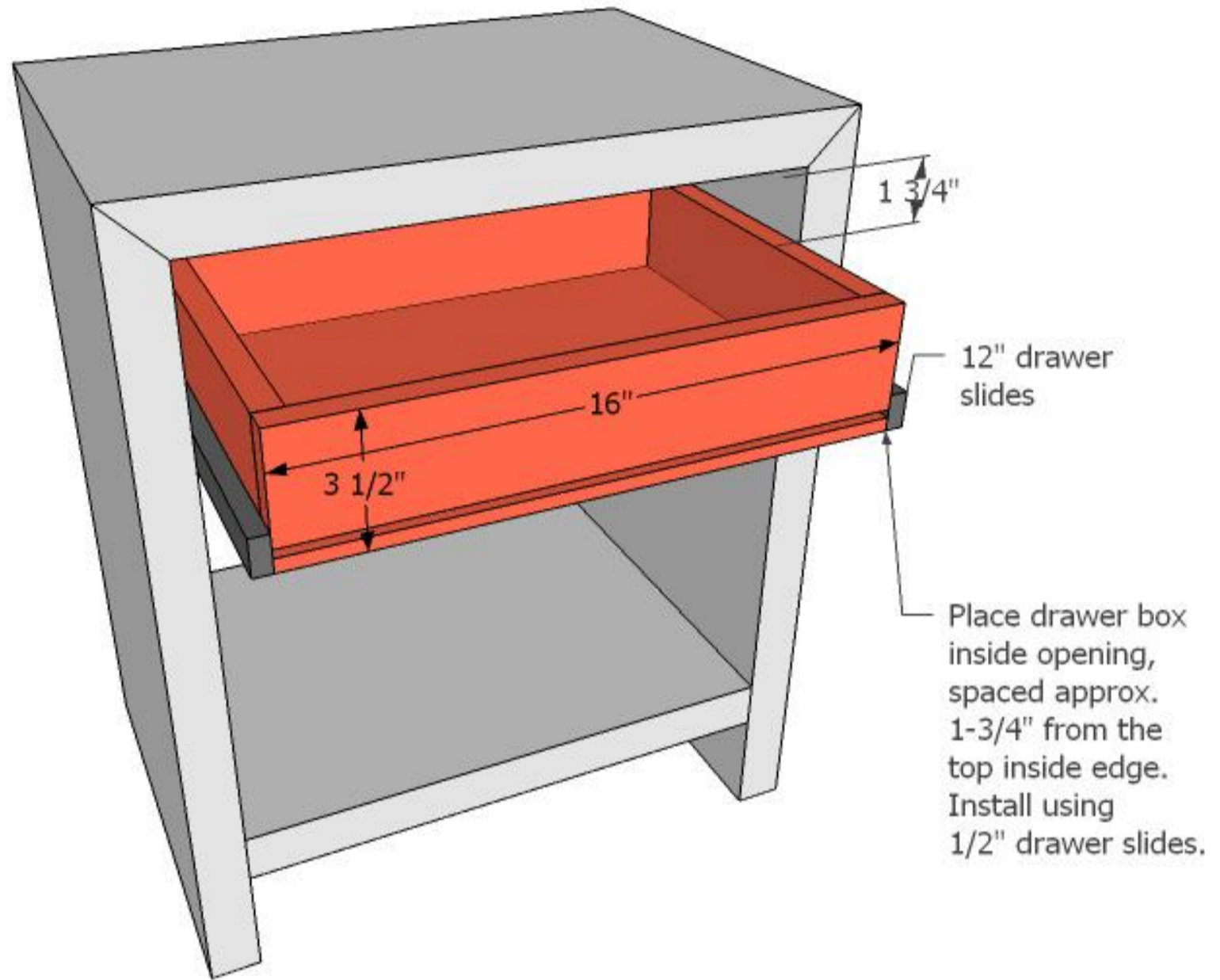
Build Drawer Boxes

Measure the exact width of the opening between sides of the nightstand. Use those dimensions to build a 3-1/2" tall, 12" deep drawer box using your preferred technique.



7**Install Drawers**

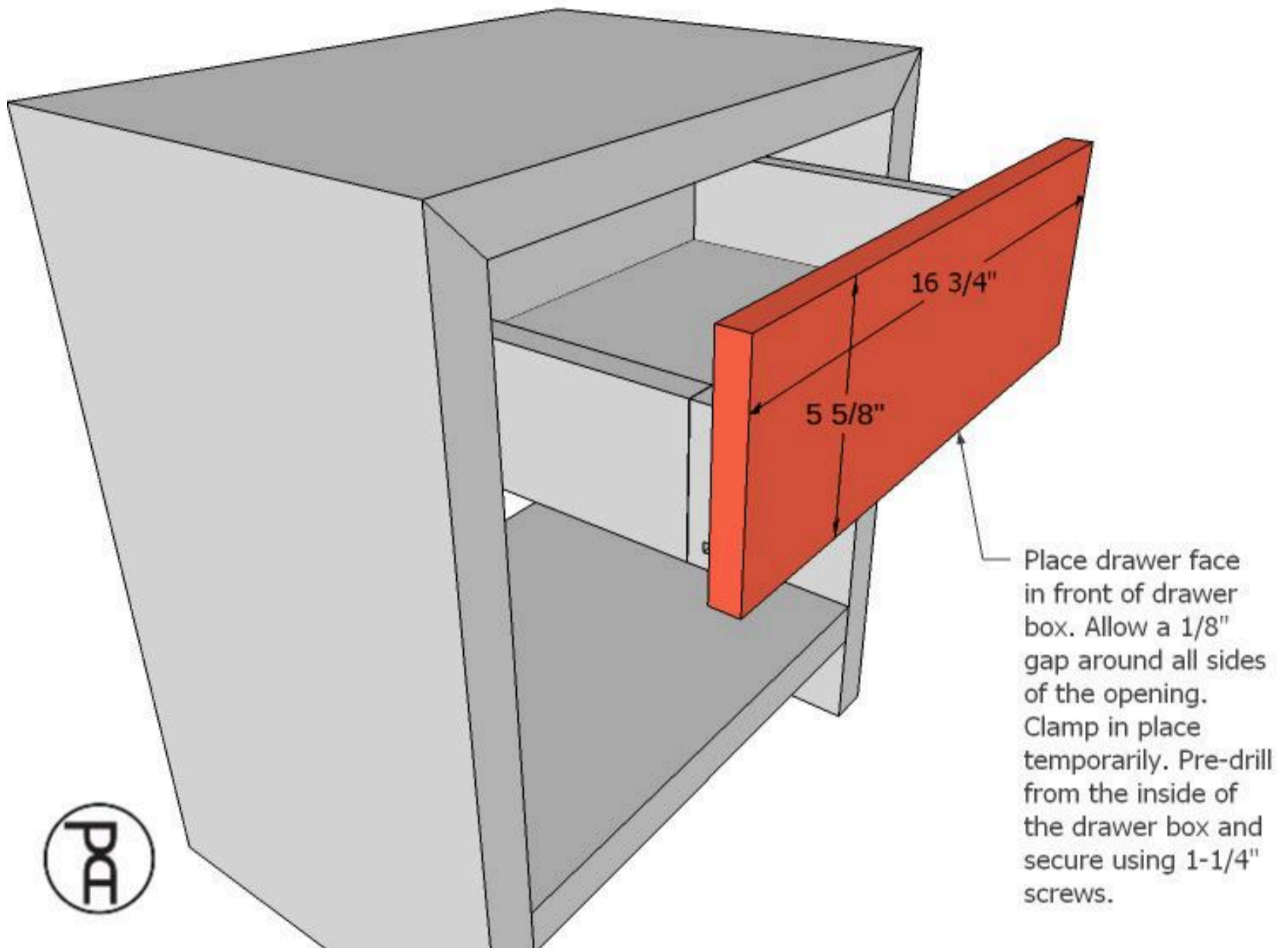
Place drawer box inside opening, spaced approximately 1-3/4" from the top inside edge. Install using 1/2" drawer slides.



8

Add Drawer Face

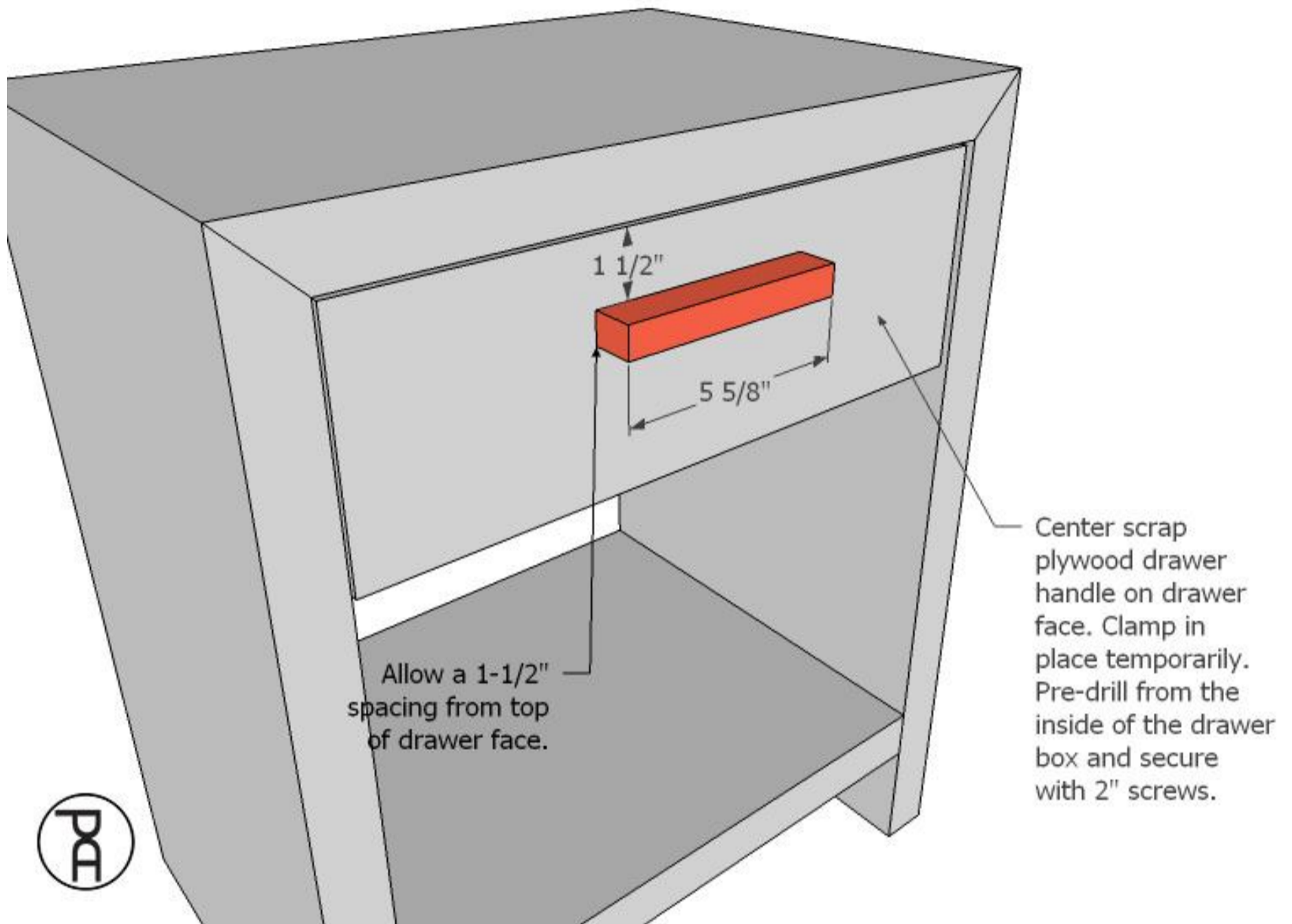
Place drawer face in front of drawer box. Allow a 1/8" gap around all sides of the opening. Clamp in place temporarily. Pre-drill from the inside of the drawer box and secure using 1-1/4" screws.



9

Attach Drawer Handle

Center scrap plywood drawer handle on drawer face. Clamp in place temporarily. Pre-drill from the inside of the drawer box and secure with 2" screws.



10

Watch Build Video

Head to <http://www.pneumaticaddict.com> or <https://youtube.com/pneumaticaddict> to watch the build video and pick up some tips and tricks I learned as I completed this project.

