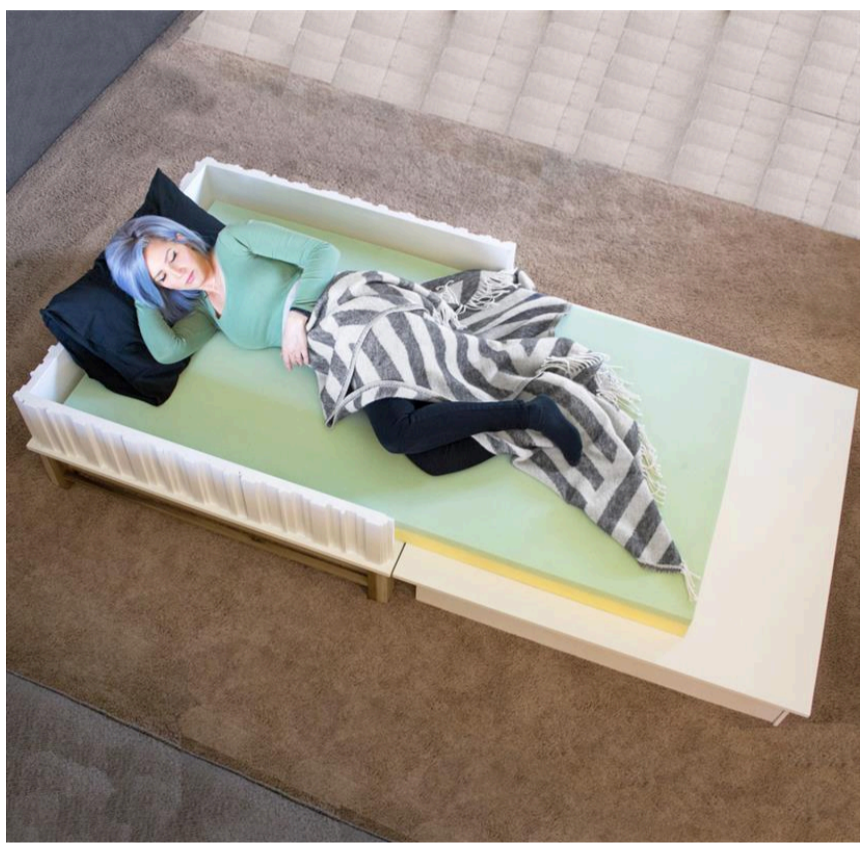


Fold-Out Coffee Table Bed

By **Pneumatic Addict**

Difficulty
Moderate

A coffee table which opens up to reveal and support a standard sized twin mattress! A twin-XL in fact! A great way to turn functional furniture into hidden storage space. A smart option for small spaces and overnight guests.



Tools

Kreg Tools



Accu-Cut™



Kreg® Pocket-Hole Jig 720

Other Tools

Circular Saw (cordless)

Miter Saw

Clamps

Drill (cordless)

Impact Driver

Nail Gun

Sander

Shop Vacuum

Workbench

Materials

Wood Products

- 2 MDF , 3/4" Thick , Full Sheet
- 1 MDF , 1/4" Thick , Quarter Sheet
- 1 MDF , 1/2" Thick , Quarter Sheet
- 1 Board , 1x3 , 96"
- 1 Board , 1x3 , 48"
- 8 Dowel , 3/4" Square Dowel , 48"

Hardware & Supplies

- 50 1/14" Pocket Hole Screws
- 16 3" , #8 Wood Screws
- 5001" , 23 Gauge Brads

Cut List & Parts

- 2** Top & Bottom , 3/4" X 45" X 45"
- 2** Face Boards , 3/4" X 8-1/4" X 42-1/2"
- 4** Side Boards , 3/4" X 8-1/4" X 41"
- 3** Full-length Leg Pieces , 3/4" X 2-1/2" X 48"
- 8** Stretchers , 3/4" X 3/4" X 39"

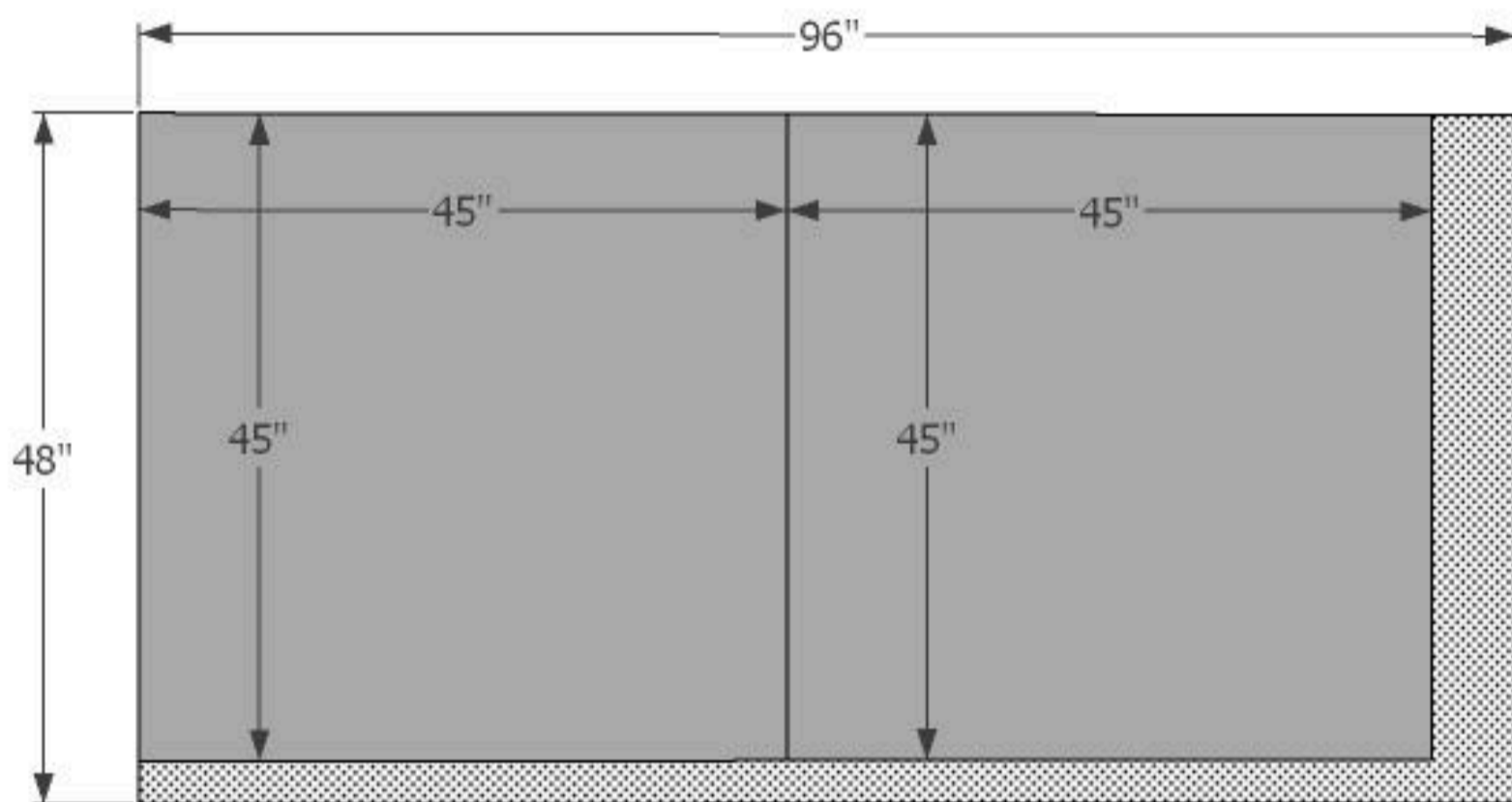
Directions

1

Cut Top and Bottom

Cut two, 45" x 45" squares from 3/4" thick plywood or MDF

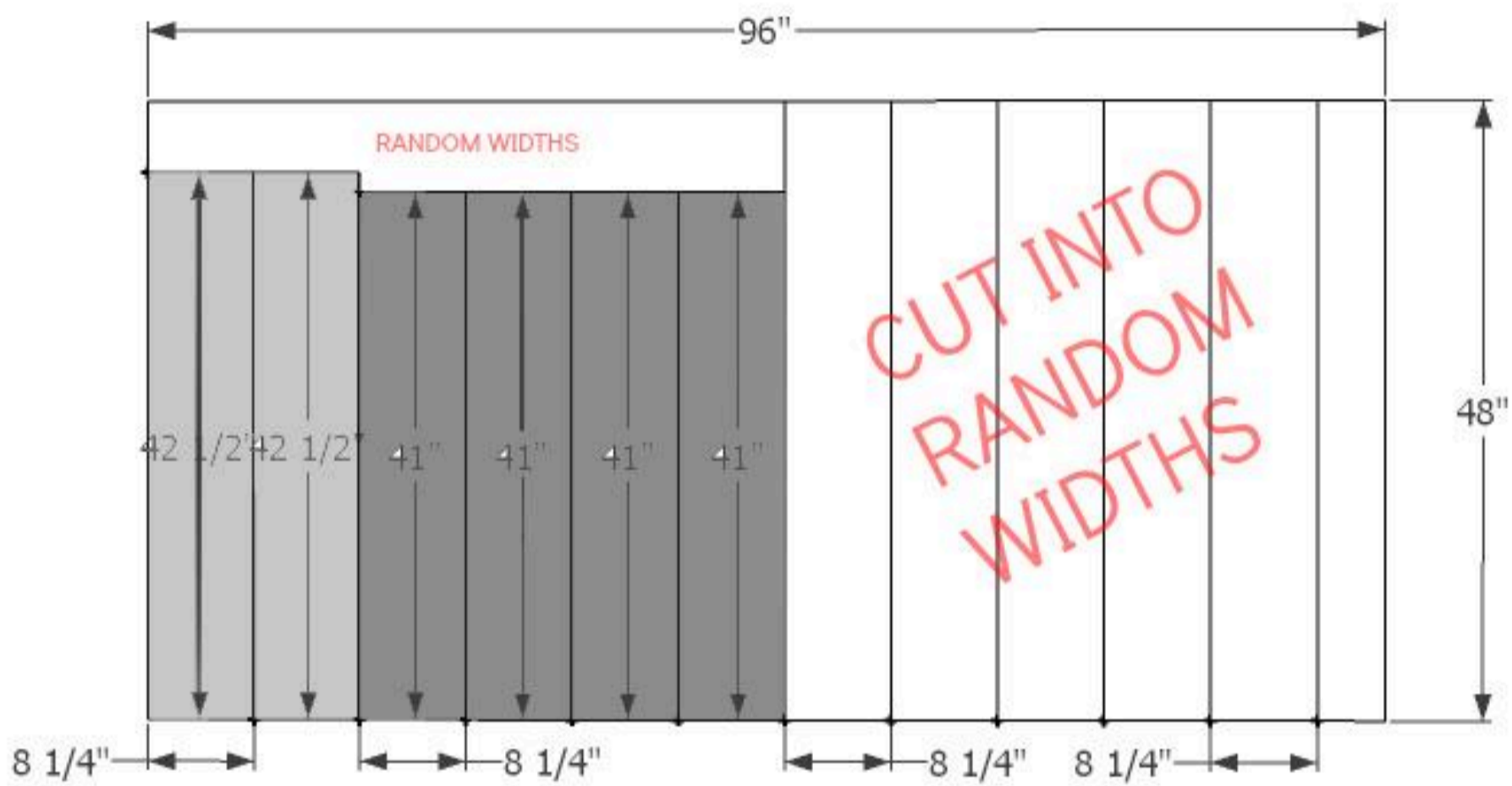
3/4" PLYWOOD



2**Cut Sides and Faces**

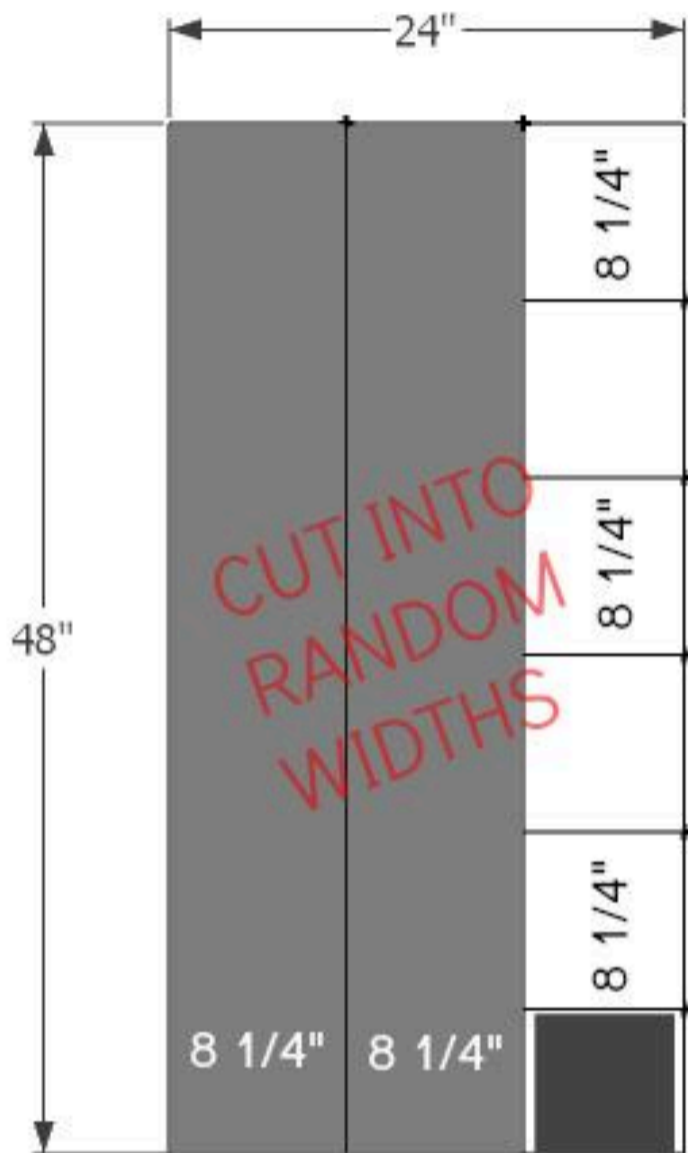
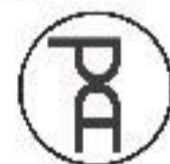
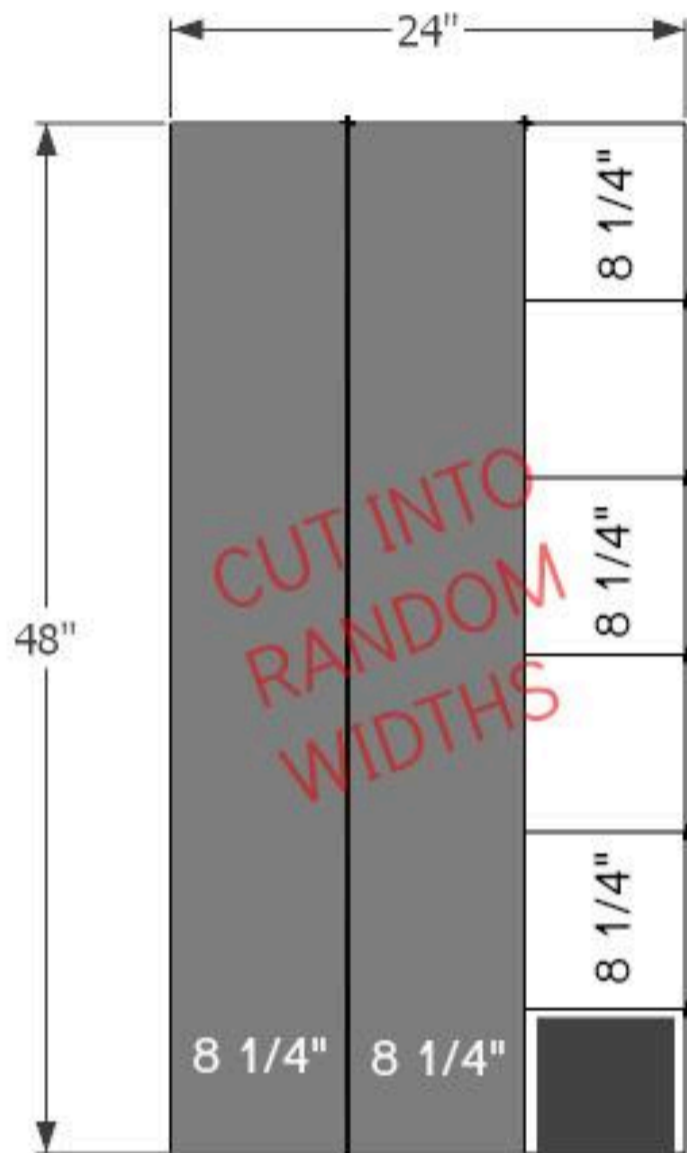
Cut two, 8-1/4" x 42-1/2" face panels and four, 8-1/4" x 41" sides panel from 3/4" thick plywood or MDF. Cut the remaining scrap into 8-1/4" lengths of material and various, random widths.

3/4" PLYWOOD



3**Cut Veneer Pieces**

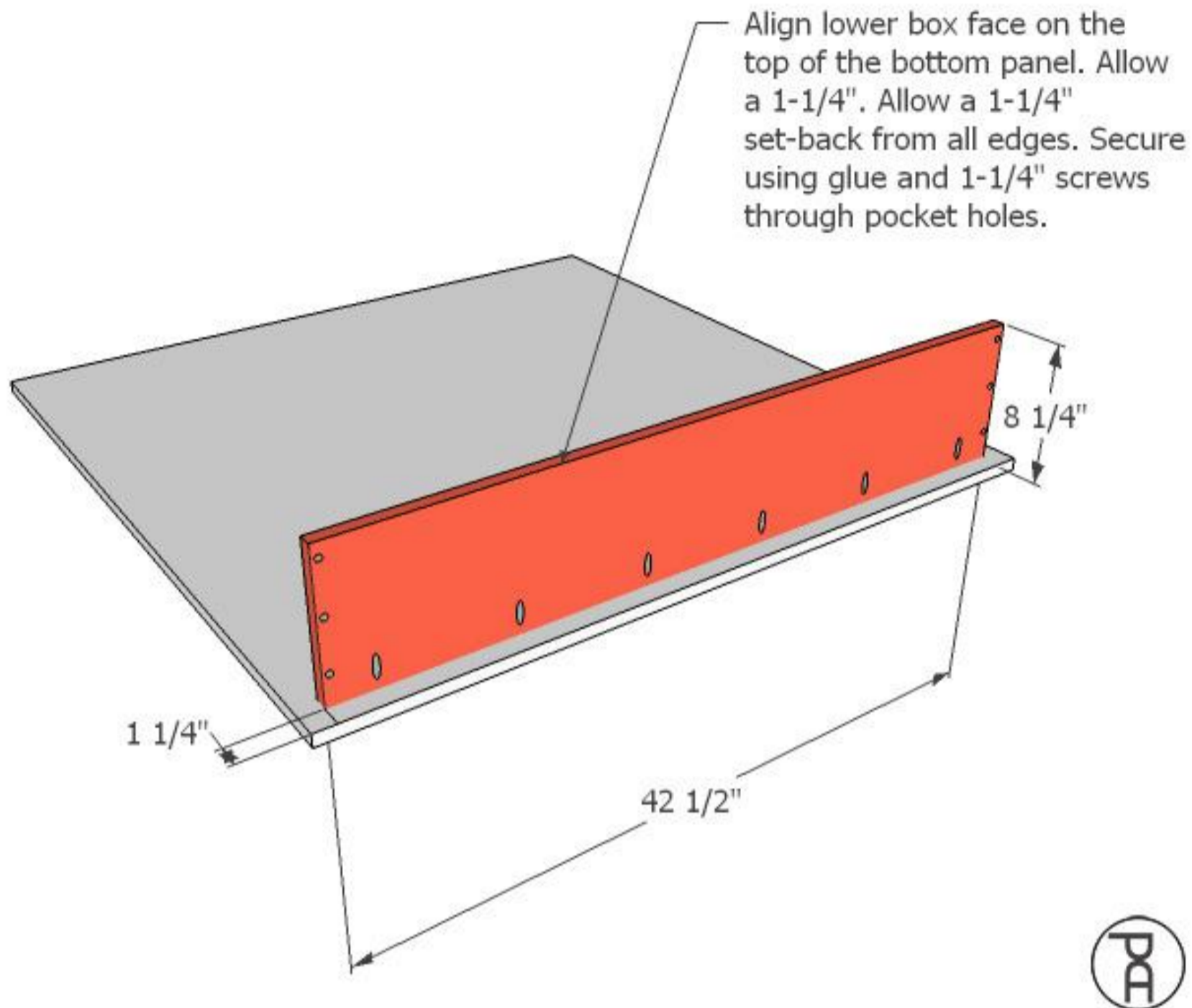
Cut an entire 2' x 4' x 1/4" plywood or MDF "hobby panel" AND an entire 2' x 4' x 1/2" plywood or MDF "hobby panel" into 8-1/4" lengths, at random widths.

1/4" PLYWOOD**1/2" PLYWOOD**

4

Lower Box Face

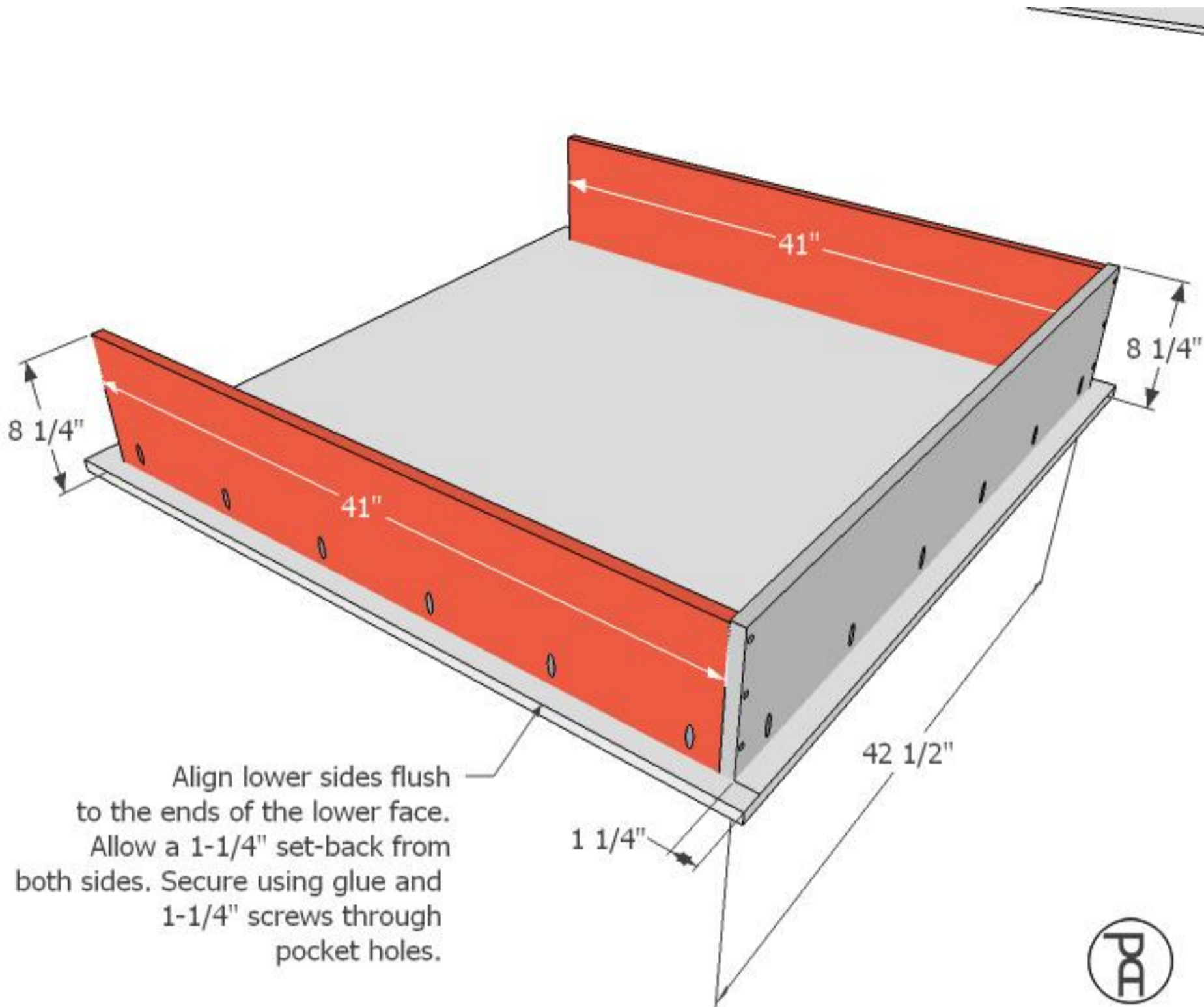
Align the lower box face on the top of the bottom panel. Allow a 1-1/4" set-back from all edges. Secure in place using glue and 1-1/4" screws through pocket holes.



5

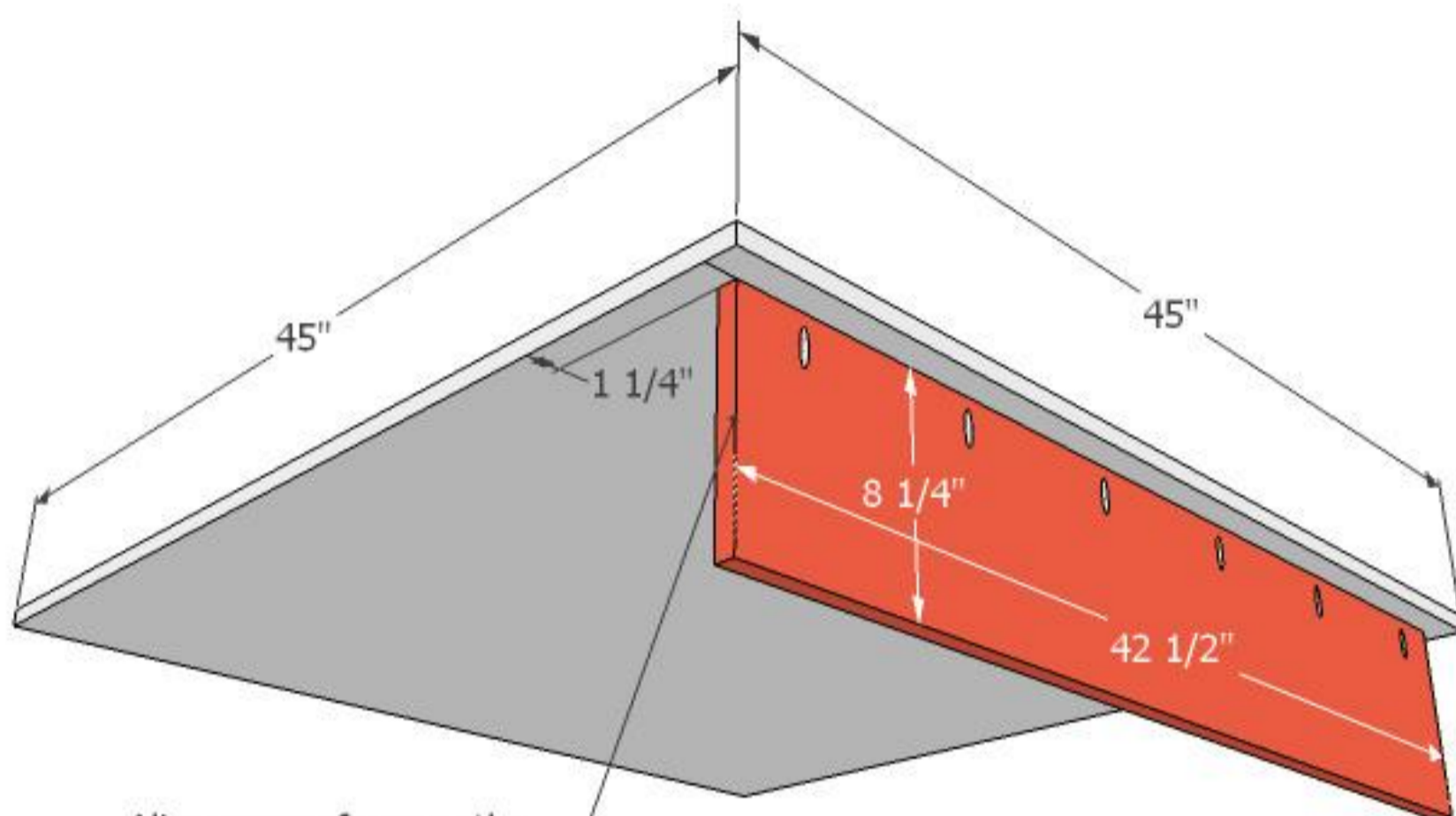
Lower Box Sides

Align the lower sides flush to the ends of the lower face. Allow a 1-1/4" set-back from both sides. Secure in place using glue and 1-1/4" screws through pocket holes.



6**Upper Box Face**

Align the upper face on the underside of the Top. Allow a 1-1/4" set-back from all edges. Secure in place using glue and 1-1/4" screws through pocket holes.



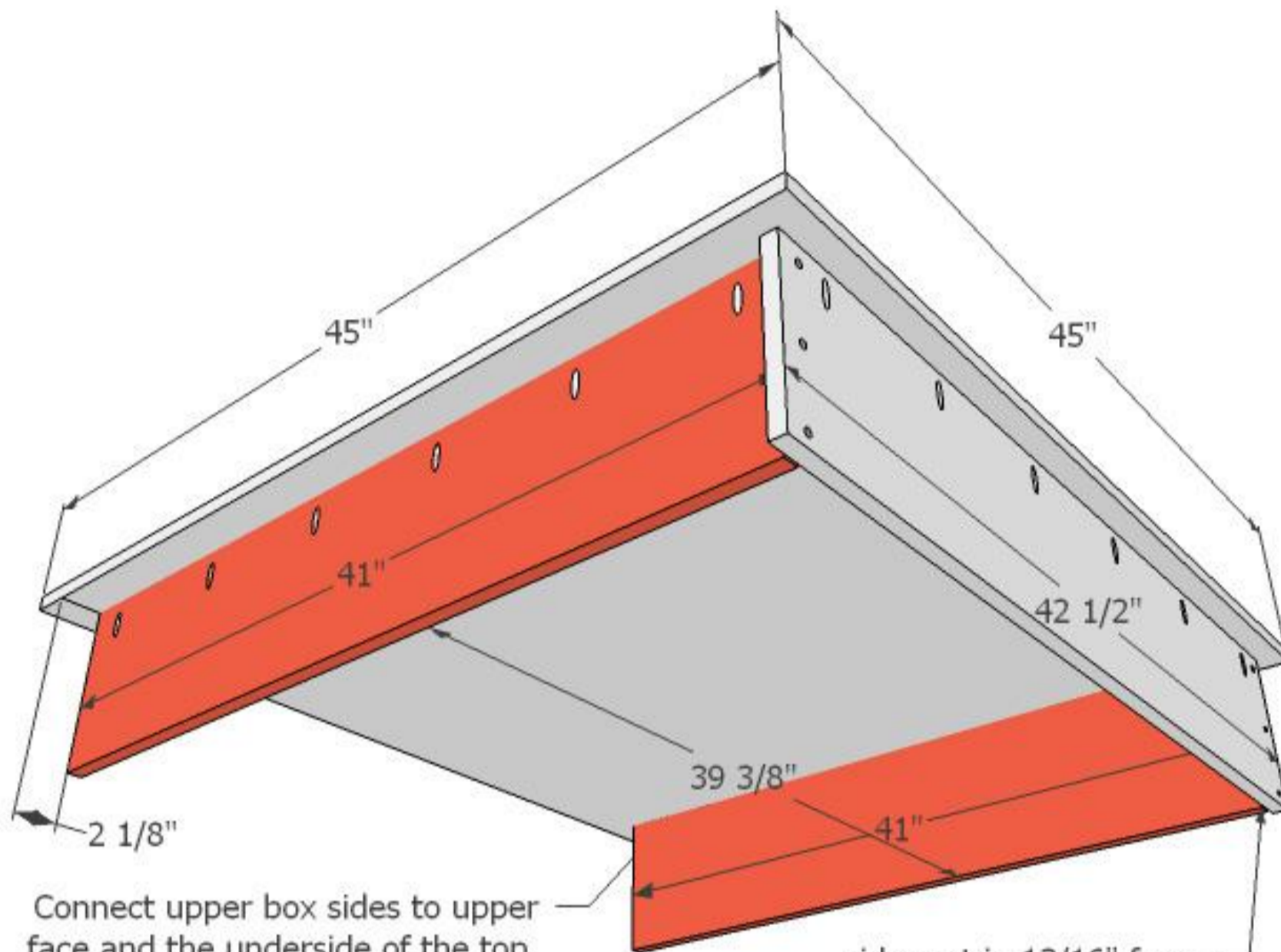
Align upper face on the underside of the Top. Allow a 1-1/4" set-back from all edges. Secure using glue and 1-1/4" screws through pocket holes.



7

Upper Box Sides

Connect the upper box sides to upper face and the underside of the top. Allow a 2-1/8" set-back from top edges. Secure in place using glue and 1-1/4" screws through pocket holes, as well as 2-1/2" screws driven from the face. The sides will be set in 13/16" from the ends of the face board.



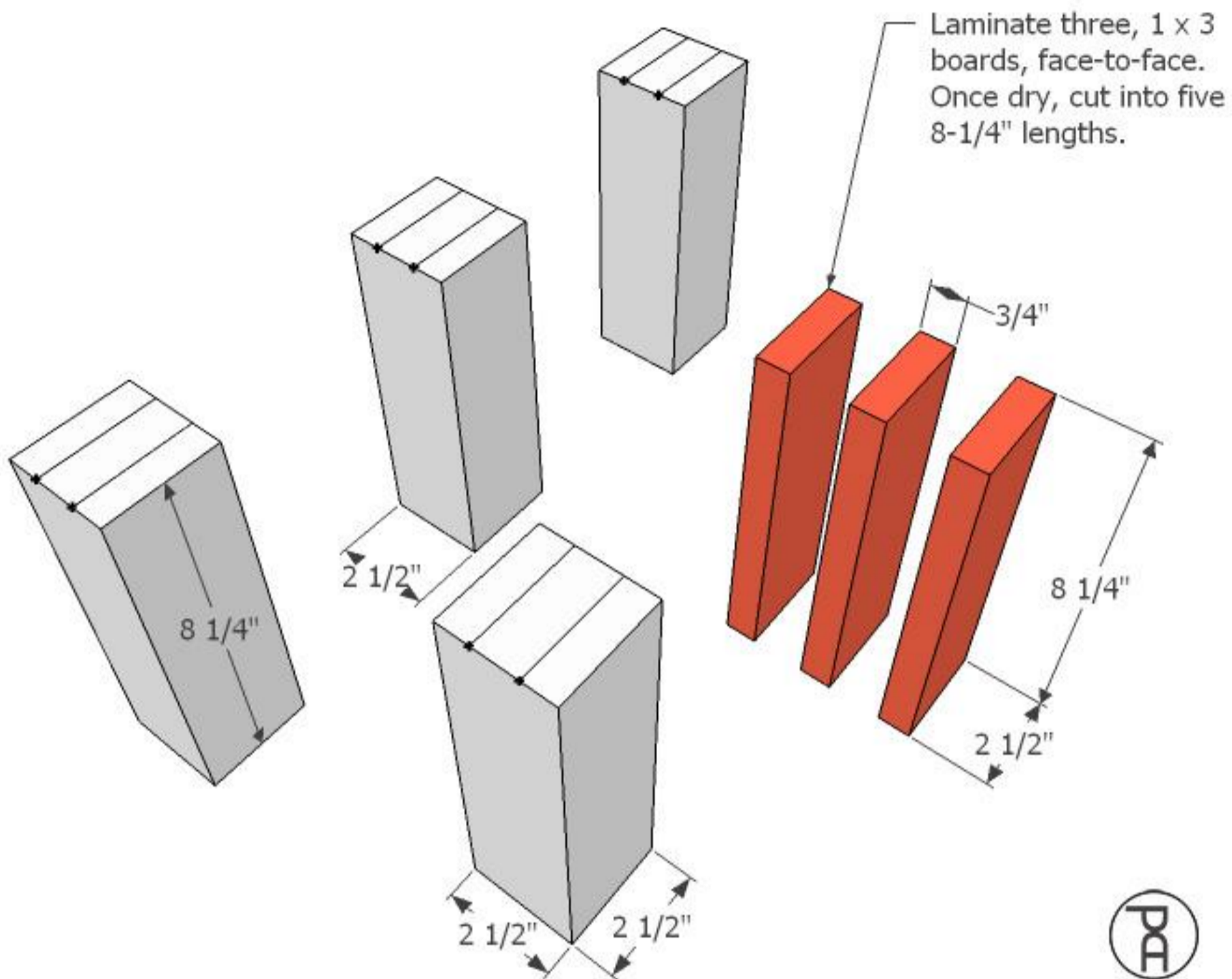
Connect upper box sides to upper face and the underside of the top. Allow a 2-1/8" set-back from top edges. Secure using glue and 1-1/4" screws through pocket holes, as well as 2-1/2" screws driven from the face.

sides set in 13/16" from the edge of the face.



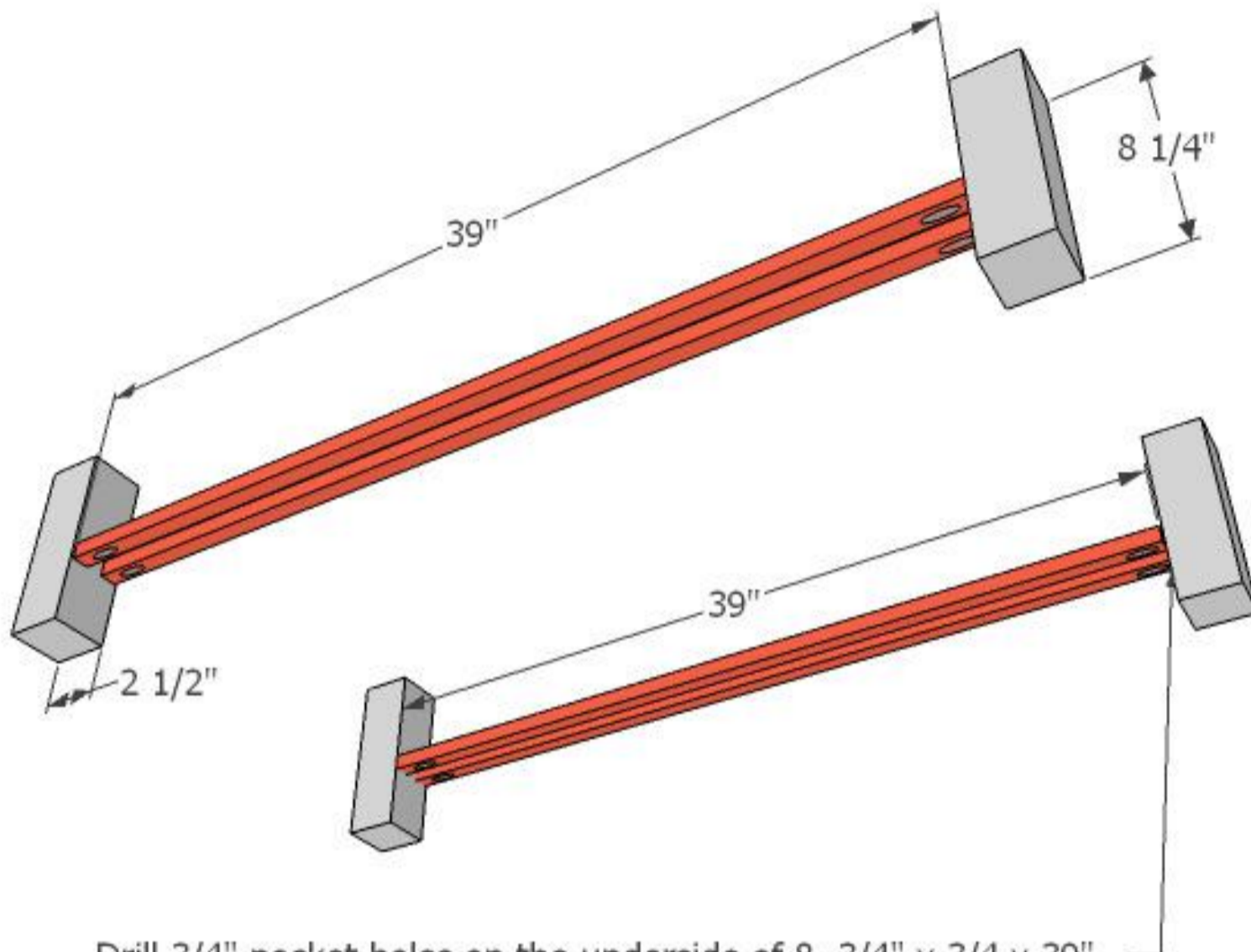
8**Build Legs**

Laminate (glue together) three, 1 x 3 boards, face-to-face. Once dry, cut into five, 8-1/4" lengths. It is much easier to glue and clamp full-length boards together and allow to dry before cutting into shorter lengths.



9**Connect Legs**

Drill $\frac{3}{4}$ " pocket holes on the underside of 8, $\frac{3}{4}$ " x $\frac{3}{4}$ " x 39" dowels. Connect pairs of legs together, using the dowels as double, side-by-side stretchers. Create a $\frac{1}{2}$ " space between stretchers. Align the bottom face of stretchers 3" from the bottom of each leg. Secure in place using glue and 1- $\frac{1}{4}$ " screws.



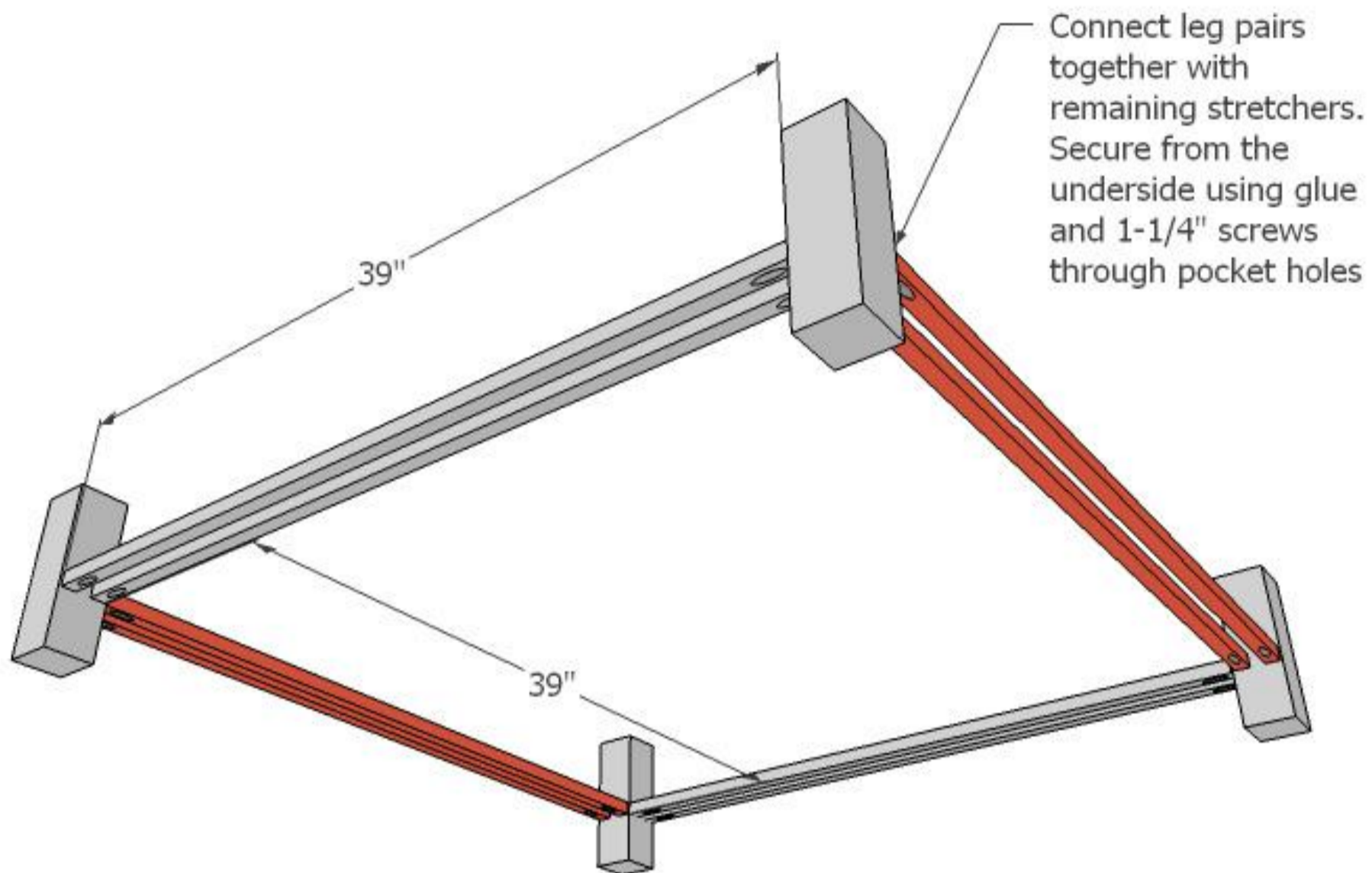
Drill $\frac{3}{4}$ " pocket holes on the underside of 8, $\frac{3}{4}$ " x $\frac{3}{4}$ " x 39" dowels. Connect pairs of legs together, using the dowels as double, side-by-side stretchers. Create a $\frac{1}{2}$ " space between stretchers. Align the bottom face of stretchers 3" from the bottom of each leg. Secure using glue and 1- $\frac{1}{4}$ " screws.



10

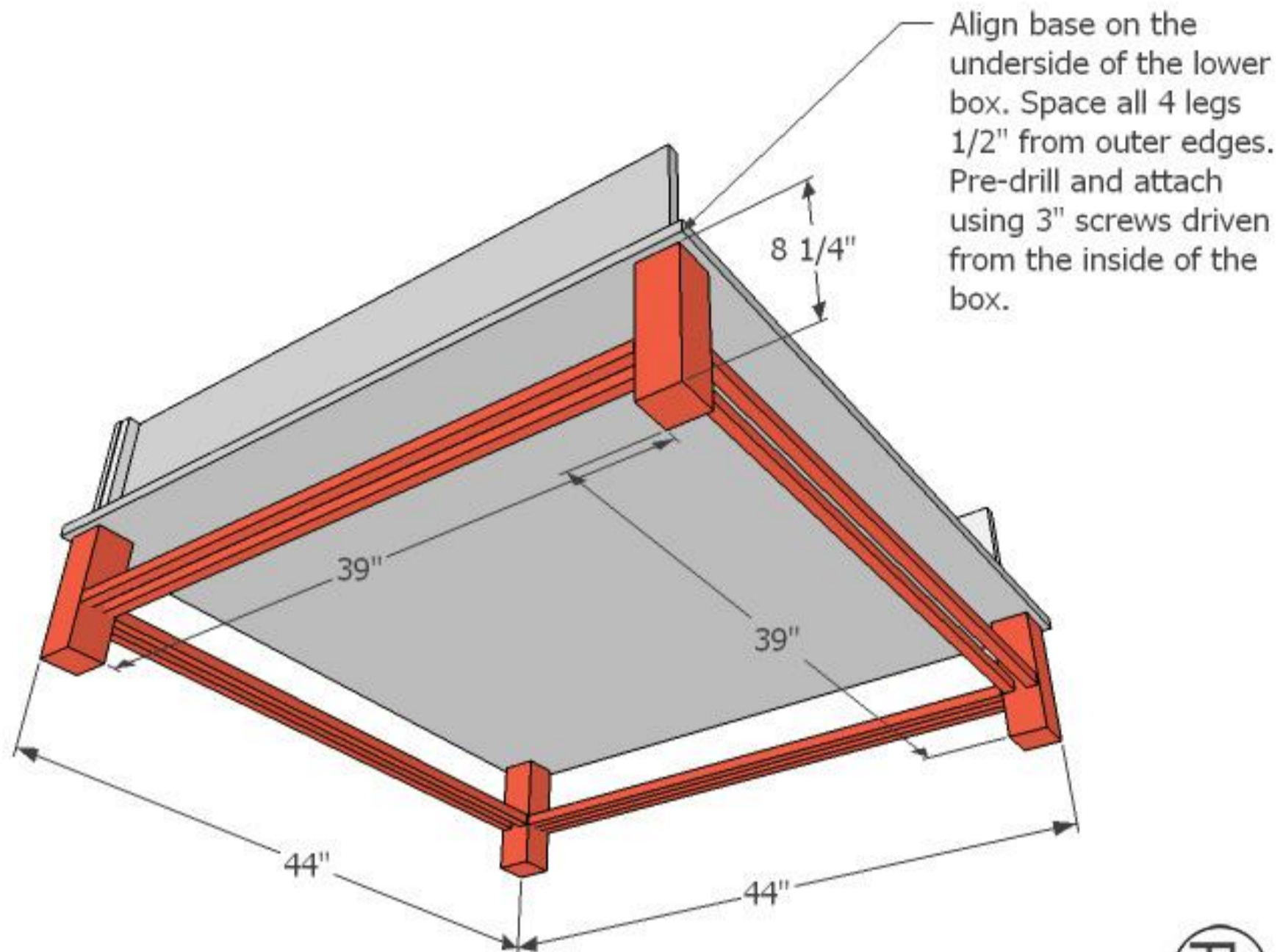
Stretchers

Connect leg pairs together with remaining stretchers. Secure in place from the underside using glue and 1-1/4" screws through 3/4" pocket holes



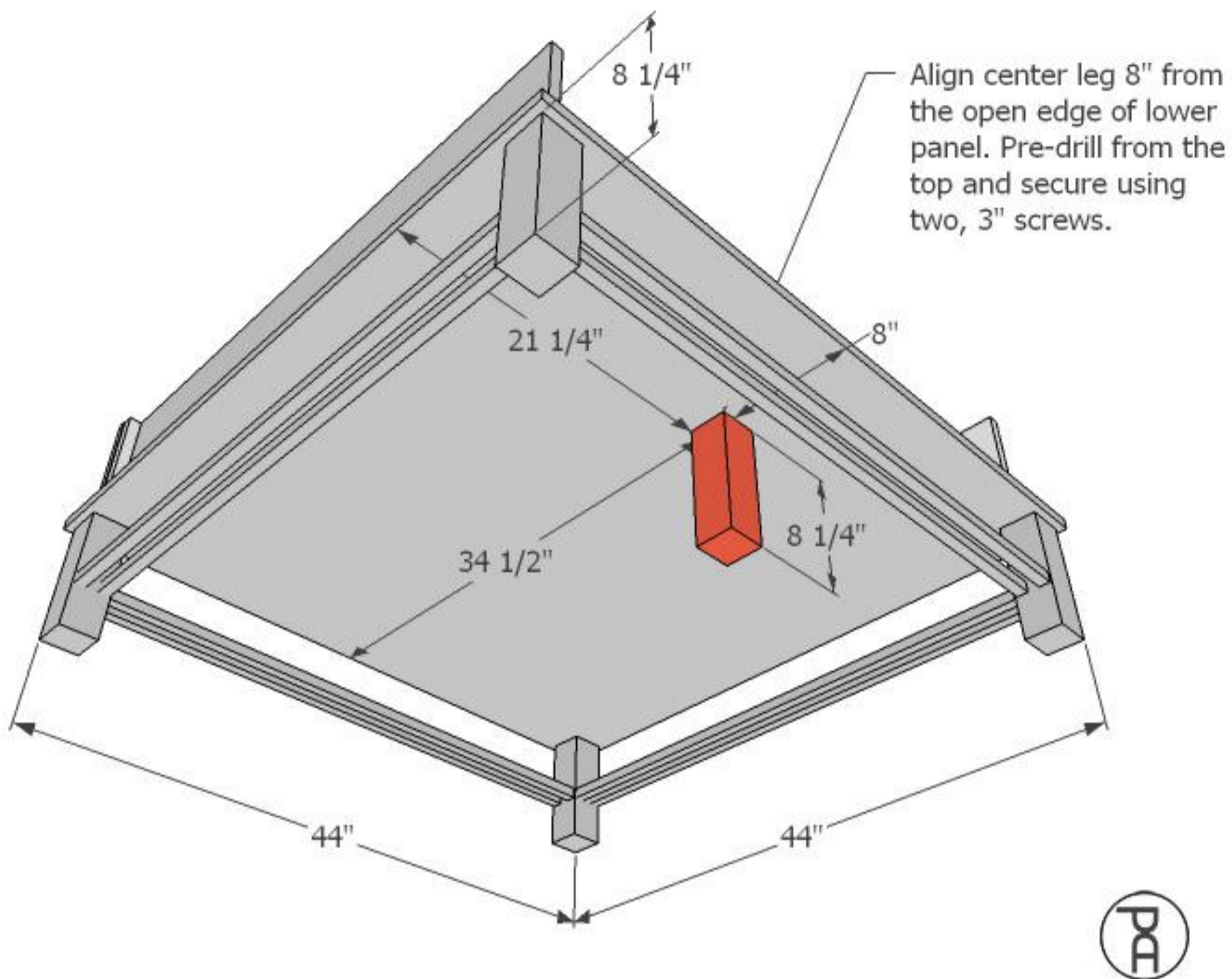
11**Attach Base**

Align the table base (legs and stretchers) on the underside of the lower box. Space all 4 legs 1/2" from outer edges. Pre-drill into the top of the legs and attach using 3" screws driven from the inside of the box.



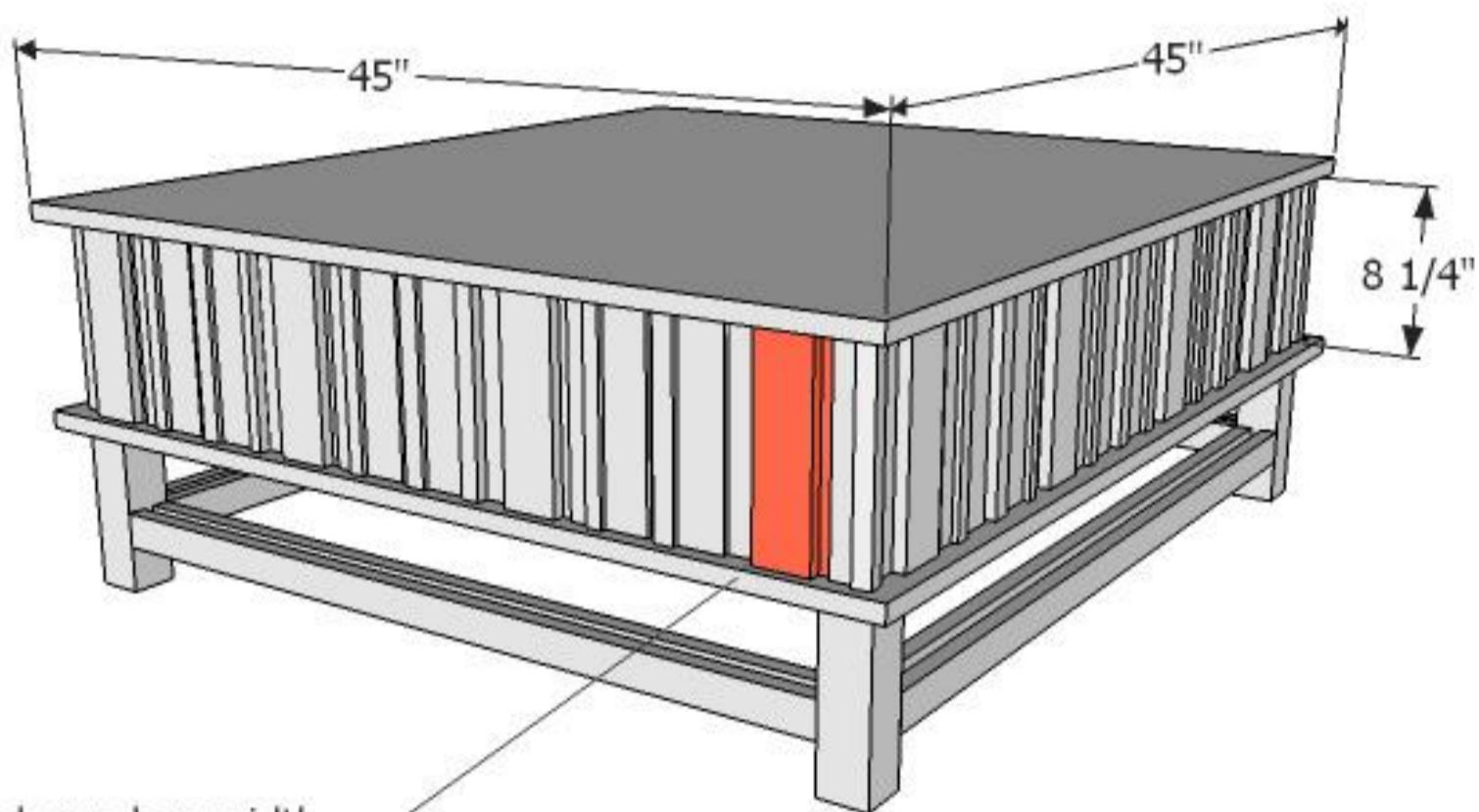
12**Center Leg**

Align the center leg 8" from the open side of the lower box panel. Pre-drill into the top of the leg and secure using two, 3" screws.



13**Add Veneer Pieces**

Place the upper portion of the box on top of the lower box. Attach random-width, 8-1/4" long veneer pieces to the lower face, sides, and upper face. Alternate the pattern of widths and thicknesses to create a random look. Secure in place using glue and 1", 23 gauge brads.

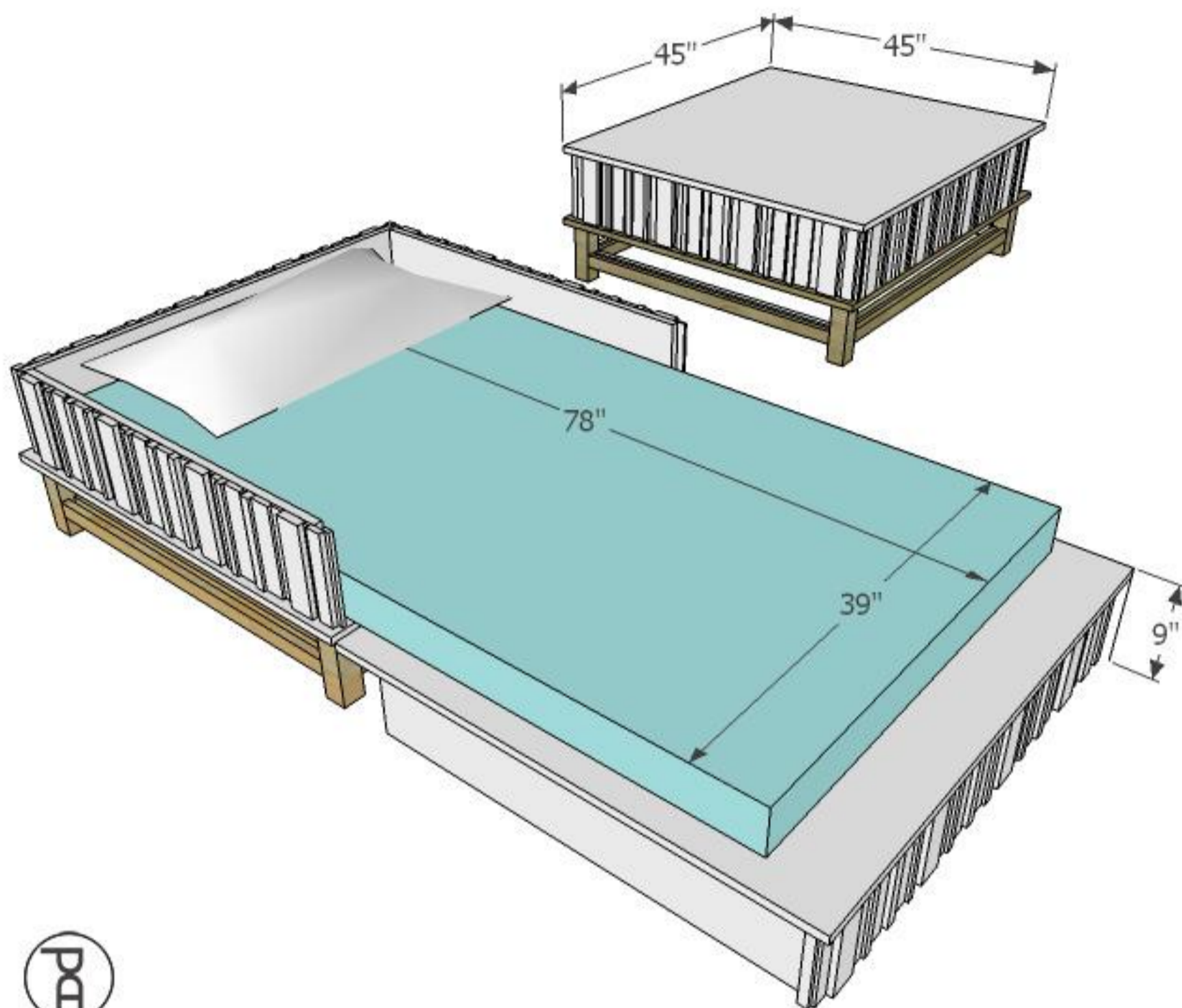


Attach random-width, 8-1/4" veneer pieces to the lower face, sides, and upper face. Secure using glue and 1" 23 gauge brads.



14**Finish and Add Mattress**

Sand the entire surface with 220-grit sand paper. Remove dust and paint or finish however you'd like. I recommend using an all-foam mattress. The inside of the box will accommodate a twin-XL mattress, folded in half.



15

More Tips and Ideas

Head to PneumaticAddict.com or [YouTube.com/pneumaticaddict](https://www.youtube.com/pneumaticaddict) for more plans, tips and DIY tricks.

