

Coffee Bar or Kitchen Island Shelf

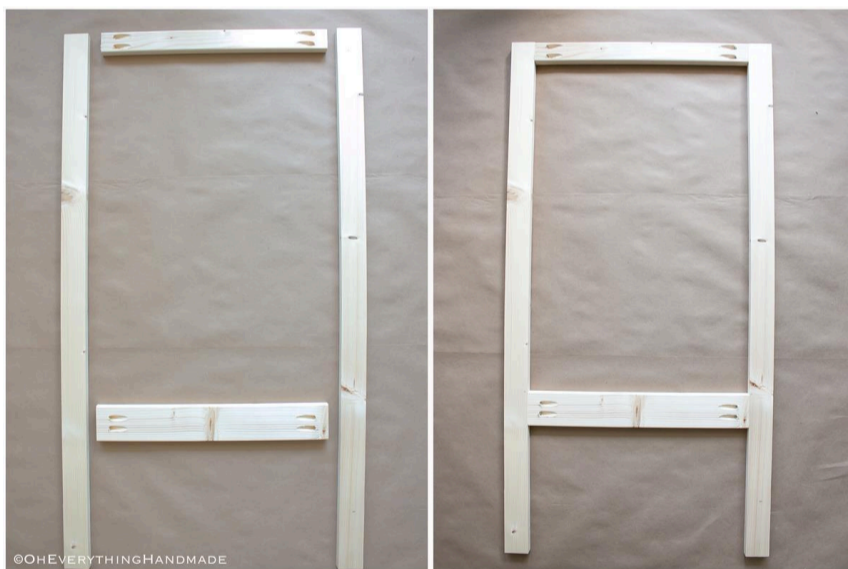
By **Oh Everything Handmade**

Difficulty

Easy

This shelf is 38" high by 13" wide and it's multipurpose function allows you to use it as a coffee bar or kitchen island. It's made exclusively out of framing lumber and is a quick project for beginner level builders.







Tools

Kreg Tools



Other Tools

Miter Saw

Table Saw

Tape Measure

Materials

Wood Products

- 2 Board , 8ft , 1x2"
- 1 Board , 6ft , 1x1 1/2"
- 1 Board , 6ft , 1x2 1/2"
- 1 Board , 12ft , 1x3 1/2"

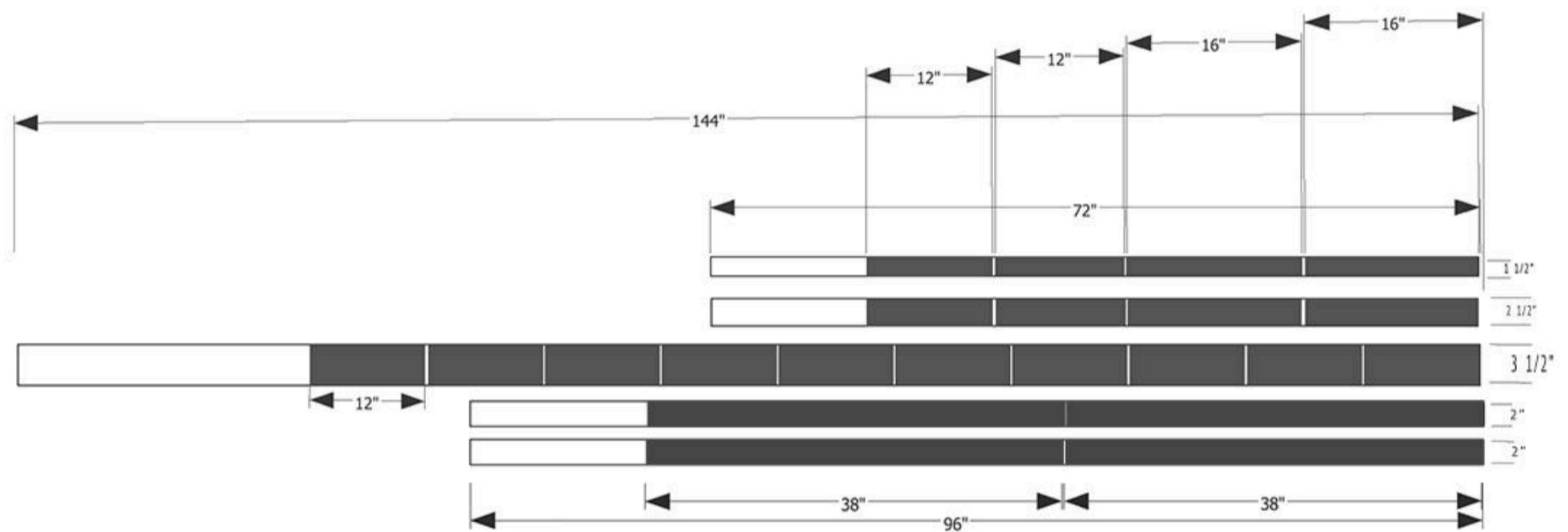
Hardware & Supplies

- 1 Wood Glue
- 52 1 1/4" Pocket Hole Screws
- 1 1 Cup Miss Mustard Seed's Milk Paint (Ironstone)
- 1 Miss Mustard Seed - Clear Furniture Wax
- 1 Brush
- 1 Sandpaper (220 Grit Or Higher)

Cut List & Parts

- 4 Legs, 3/4" X 1 3/4" X 38"
- 2 Long Top Board, 3/4" X 1 1/2" X 16"
- 2 Short Top Board, 3/4" X 1 1/2" X 12"
- 2 Long Bottom Board, 3/4" X 2 1/2" X 16"
- 2 Short Bottom Board, 3/4" X 2 1/2" X 12"
- 10 Shelf Boards Top And Bottom, 3/4" X 3 1/2" X 12"

CUTLIST VIA *oh everything handmade*



©OHEVERYTHINGHANDMADE

Directions

1

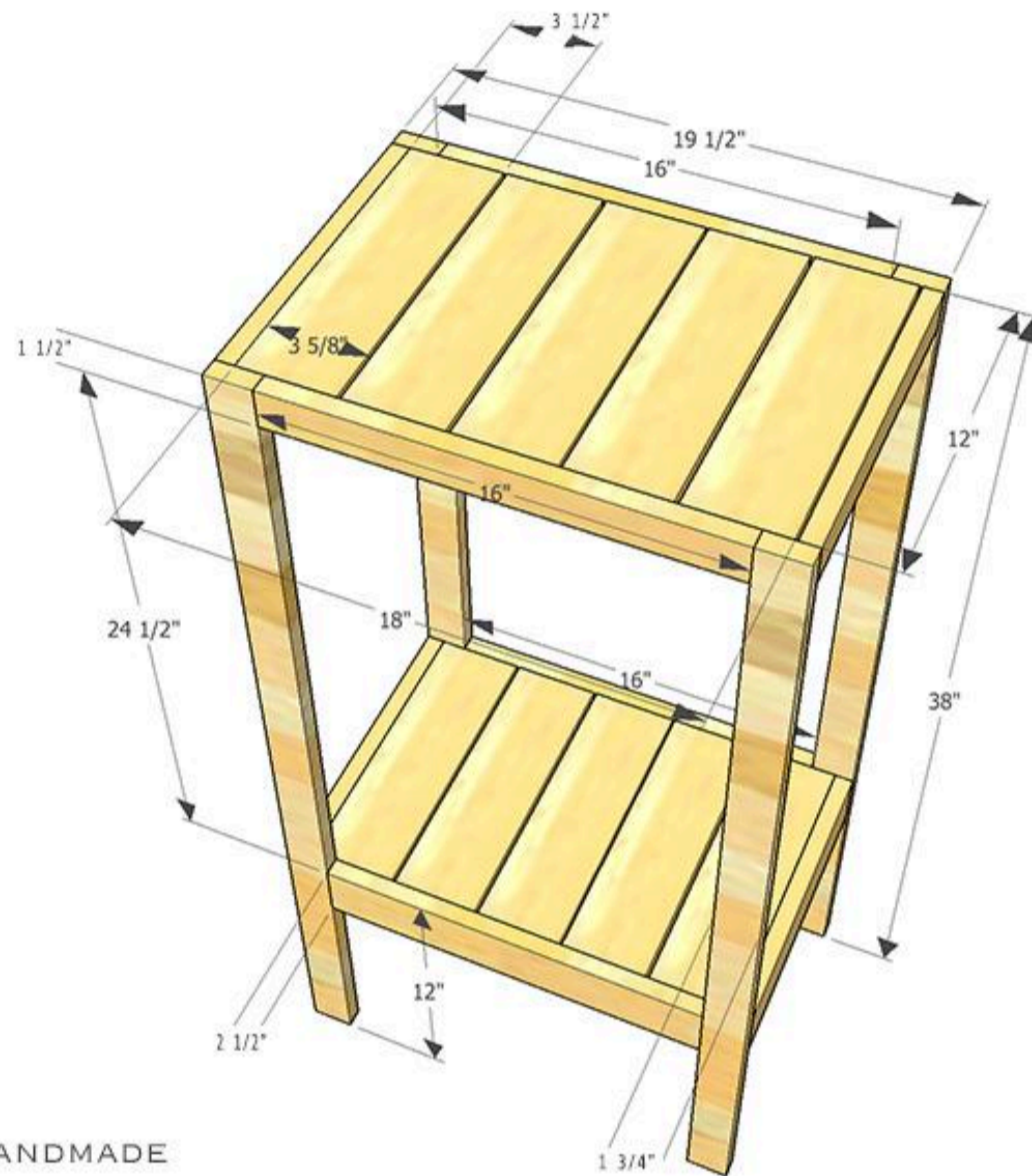
Step 1: Measure and cut

Make your cuts for the shelf:

2"x8' (4) @ 38" | 2.5"x6' (2) @ 16" and (2) @ 12" | 1.5"x6' (2) @ 16" and (2) @ 12" | 3.5"x12' (10) @ 12"

*Tip: I trimmed the edges of both lumber pieces for the legs (1" x 2" x 8") to achieve a crisp finish.

NOTE: Please note that all 1" lumber measures 3/4".

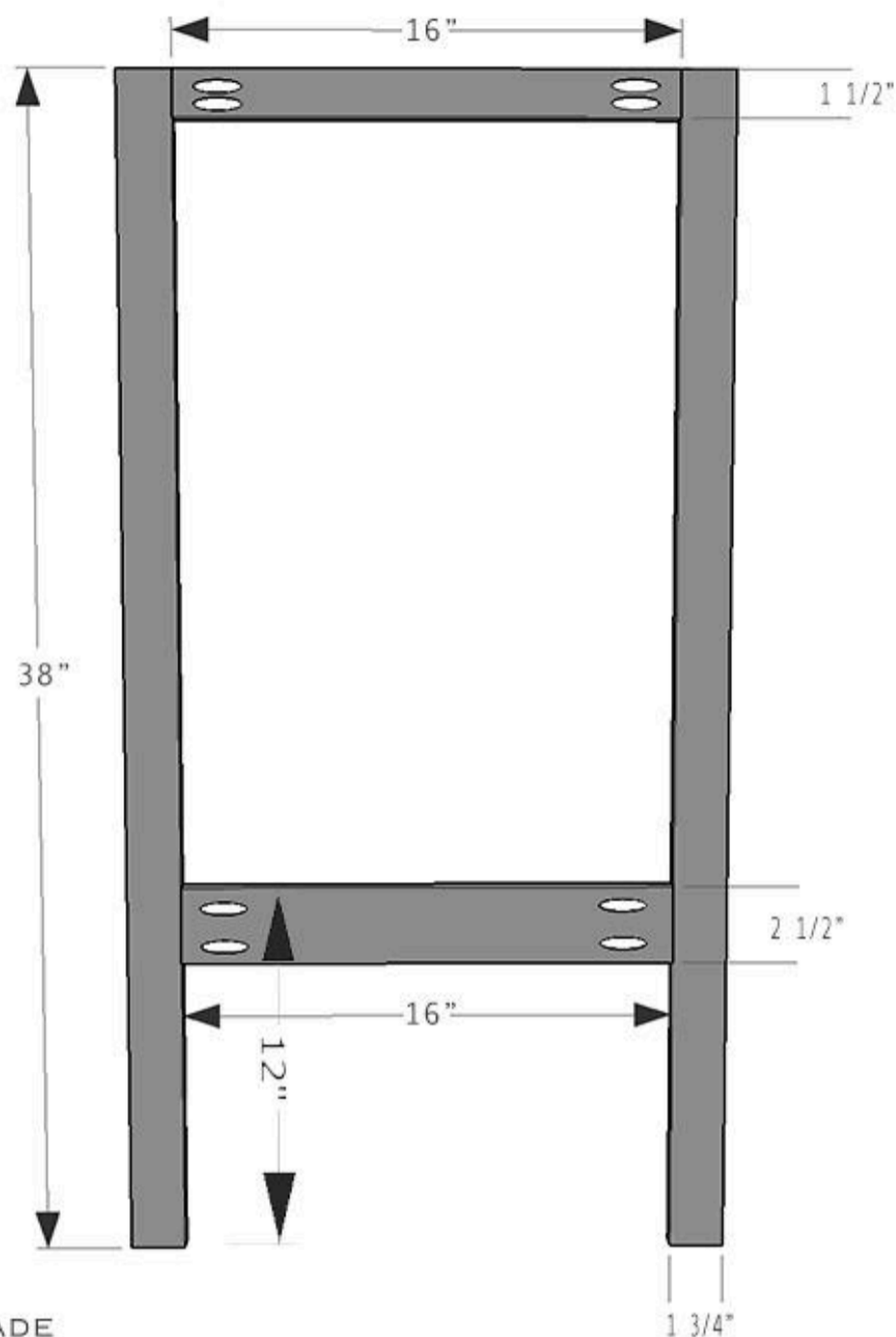


©OHEVERYTHINGHANDMADE

2

Step 2: Assemble the Legs

Lay out all four of the 38" pieces for the legs, connecting two legs with the 1 1/2 x 16" on the top and the 2 1/2 x 16" piece 12" from the bottom up. Mark where the pocket holes should go with a carpenter's pencil and drill 3/4" pocket holes using your Kreg Jig. Assemble the legs using 1 1/4" pocket hole screws and wood glue.

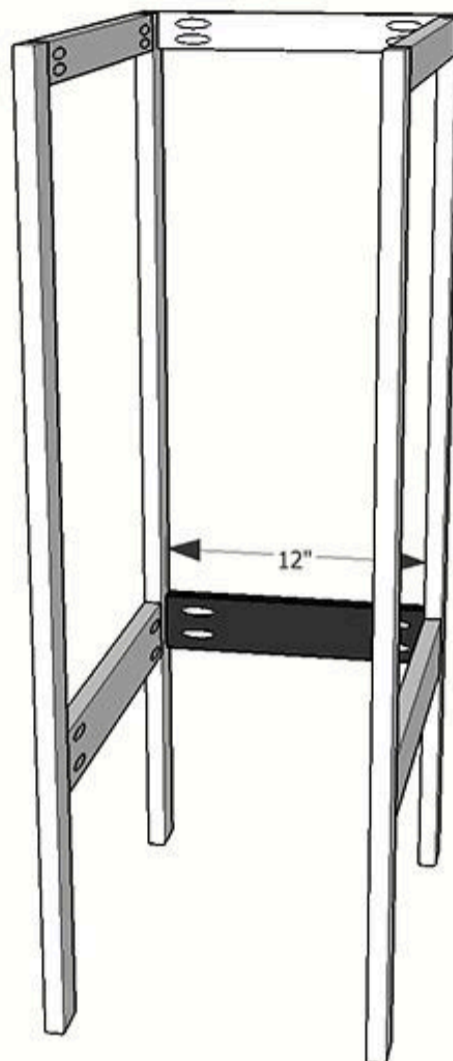


©OHEVERYTHINGHANDMADE

3

Step 3: Attach the side Boards

Pre-drill pocket holes with the Kreg Jig for 3/4" material into the ends of the 2 1/2 x 12" cuts. Attach 2 1/2 x 12"s to the leg frames using 1 1/4" pocket screws.



©OHEVERYTHINGHANDMADE

4

Step 4: Attach bottom & top Shelf

Drill pocket screw holes for 3/4" material with the Kreg Jig along the ends of the 3/4"x3 1/2"x12" boards.

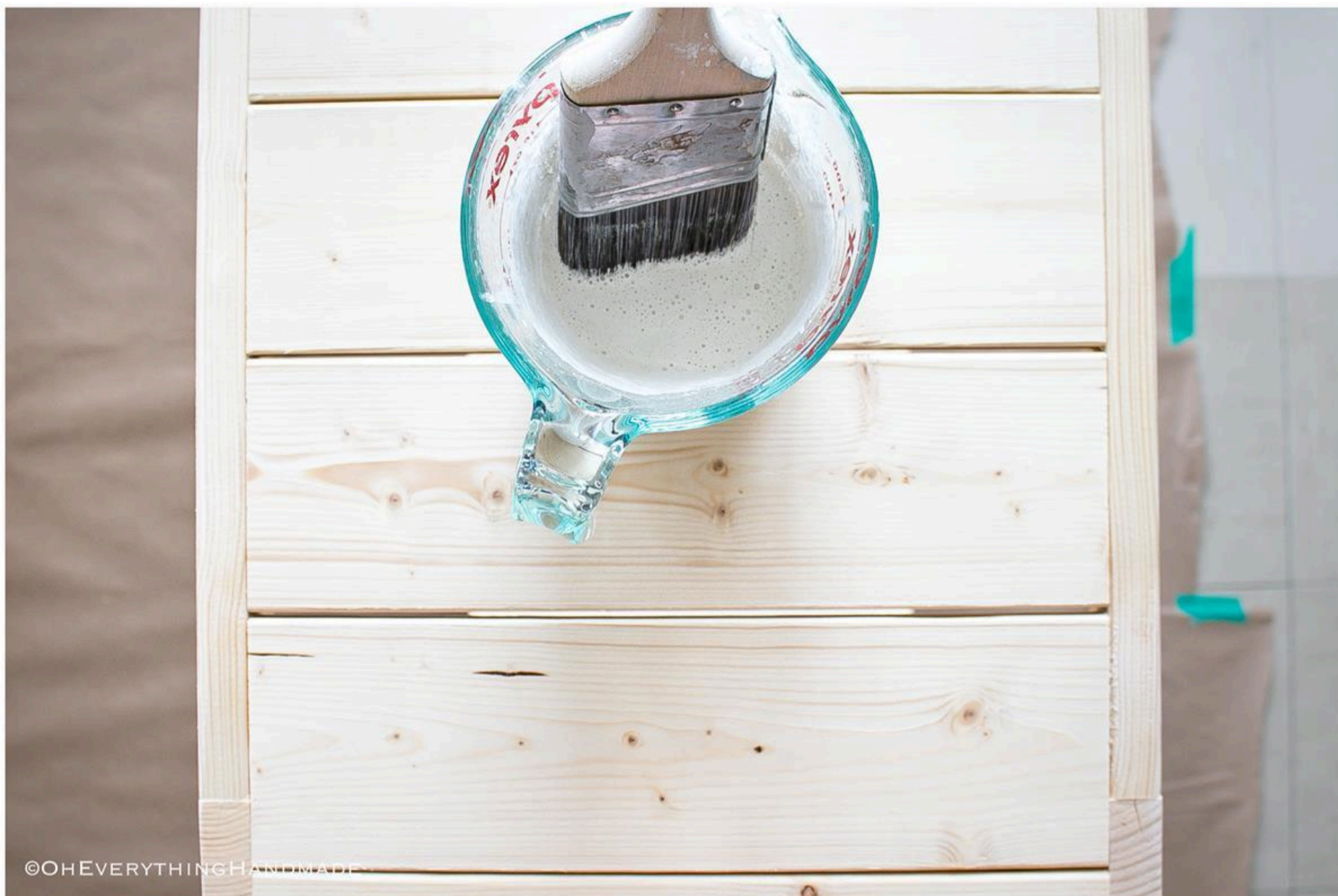
Attach the boards to the edge of the base with 1 1/4" pocket hole screws, leaving 1/4" gap between each board (see image for reference)



5**Finish as desired**

Sand the shelf until smooth and fill any visible pocket holes if desired. For the shelf, I used Miss Mustard Seed's Milk Paint (color: Ironstone) followed by Miss Mustard Seed's Wax.

I applied four thin, coats of milk paint and let it completely dry. Then sanded lightly by hand using 220 grit sand paper.



©OHEVERYTHINGHANDMADE