

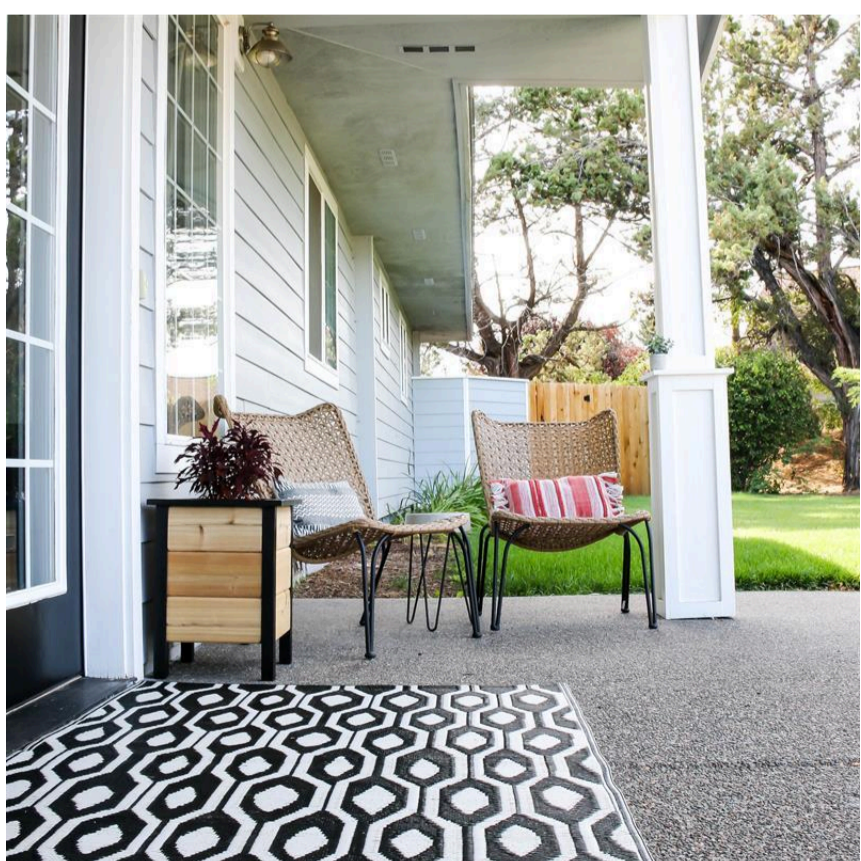
Planter Boxes

By **Making Manzanita**

Difficulty

Easy

Learn how to make these easy DIY planter boxes for your front porch using the Kreg Pocket-Hole Jig 720. The black painted legs and trim add a modern style with extra contrast.



Tools

Kreg Tools



[Kreg® Pocket-Hole Jig 720](#)

Other Tools

Miter Saw

Square

Tape Measure

Clamps

Impact Driver

Stapler

Sander

Air Compressor

Materials

Wood Products

1 Board , 1x4 , 96"

1 Board , 2x6 , 96"

1 Board , 2x6 , 120"

1 Board , 2x2 , 96"

Hardware & Supplies

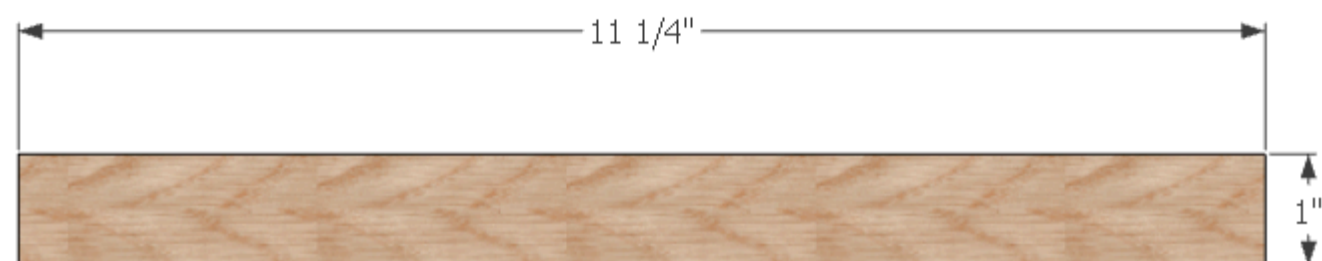
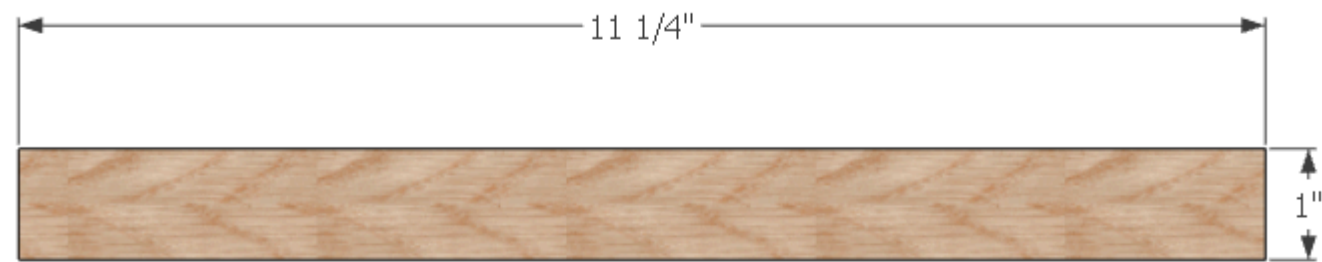
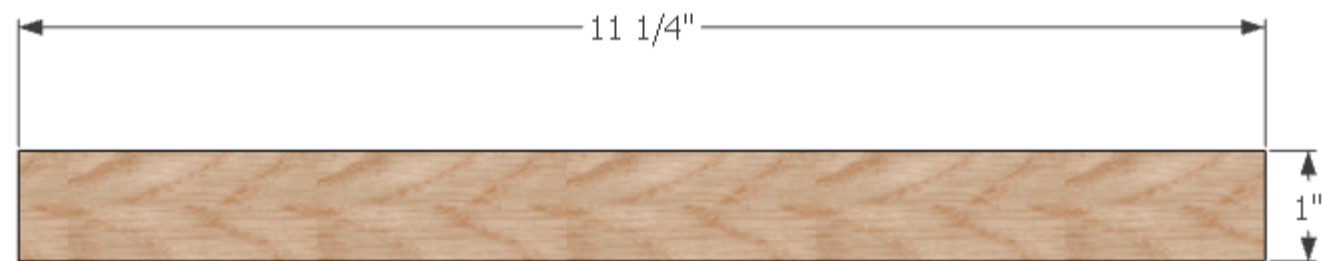
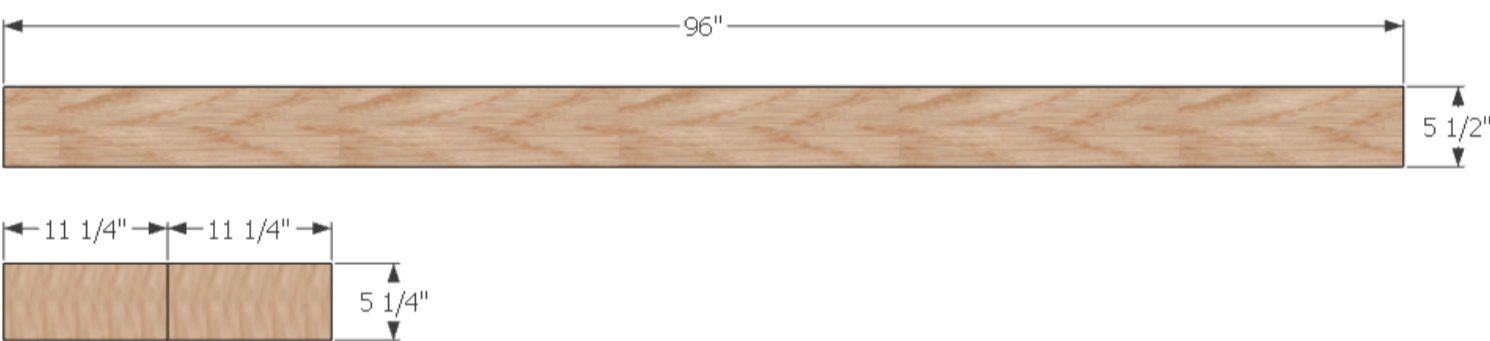
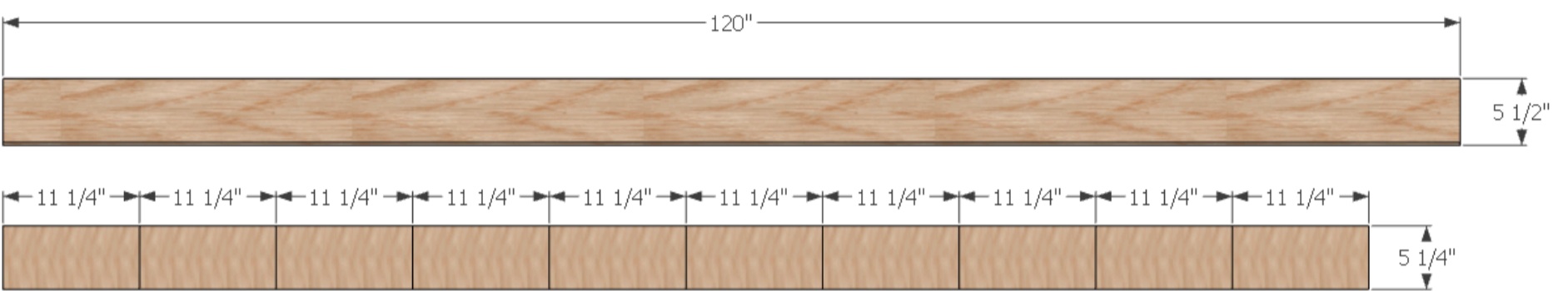
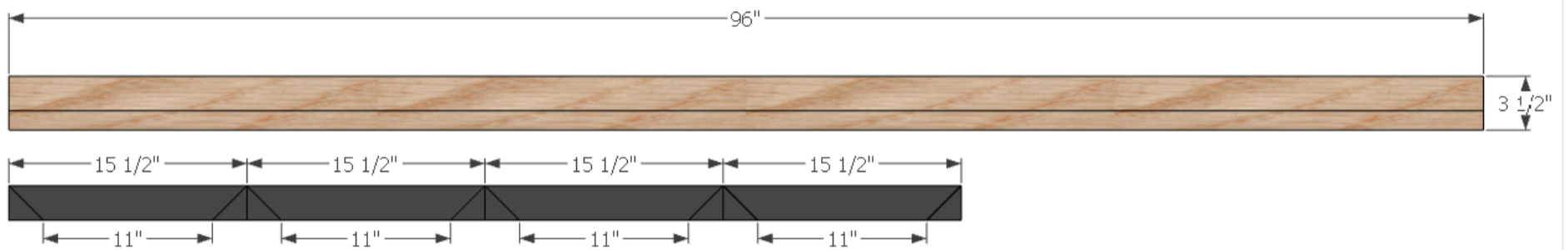
100 Kreg Blue-Kote WR Pocket Screws (1 1/2")

1 Quart Black Exterior Paint

1 Plastic Wood X Wood Filler

Cut List & Parts

- 4 Top Trim , 0.6875" X 3" X 15 1/2" With 45 Degree Angles At Each Corner
- 12 Side Pieces , 1 1/2" X 5 1/4" X 11 1/4"
- 4 Legs , 1 1/2" X 1 1/2" X 20"
- 3 Slats On Inside , 1" X 1" X 11 1/4"



Directions

1

Cut wood to size

Cut wood to size using miter saw. Refer to attached plans for cut list with sizes.

Sand any wood that will be painted with orbital hand sander.



2

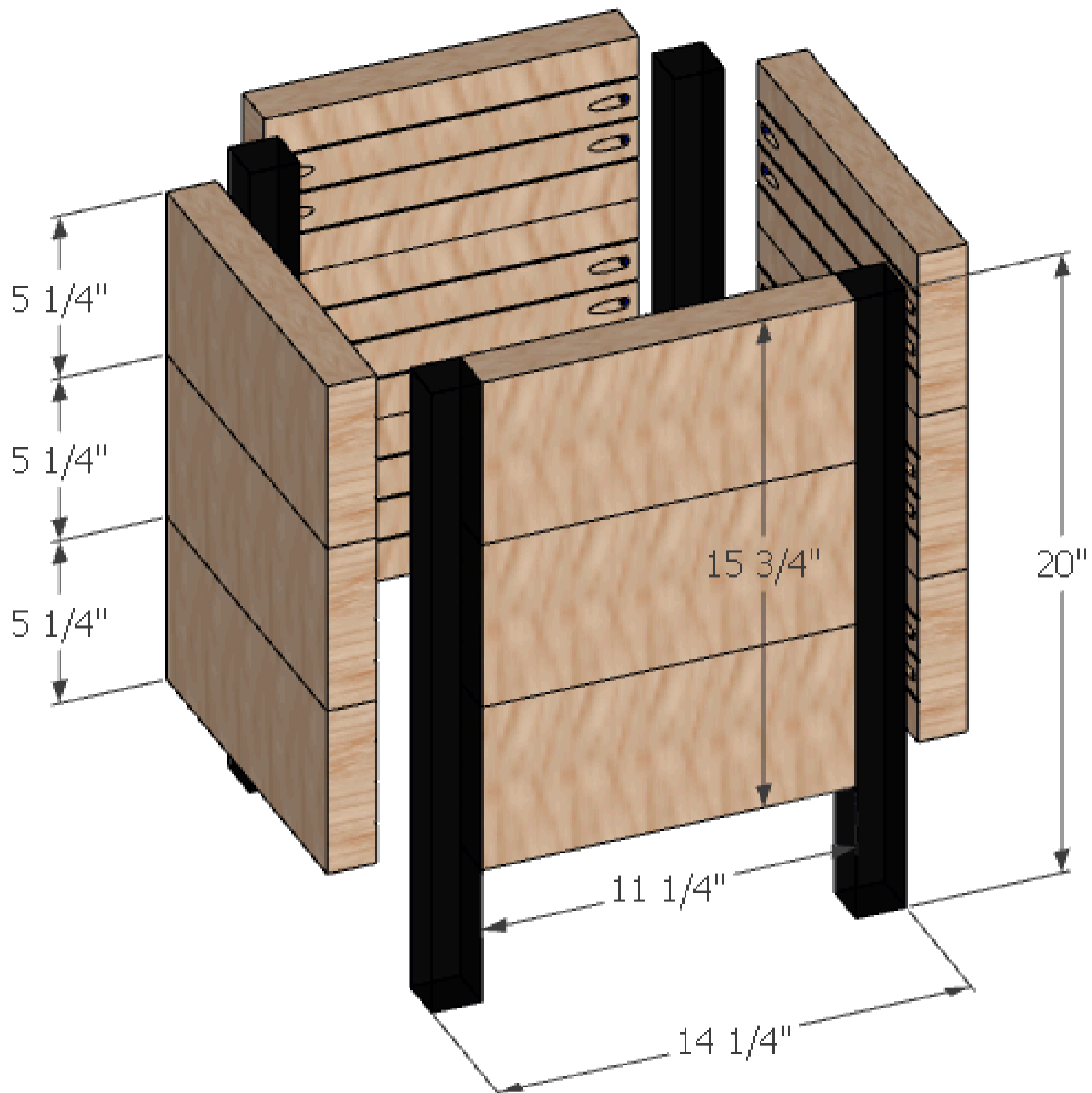
Drill pocket holes

Using the Kreg Jig system, drill 2 pocket holes on the edges of each side piece.



3**Assemble sides**

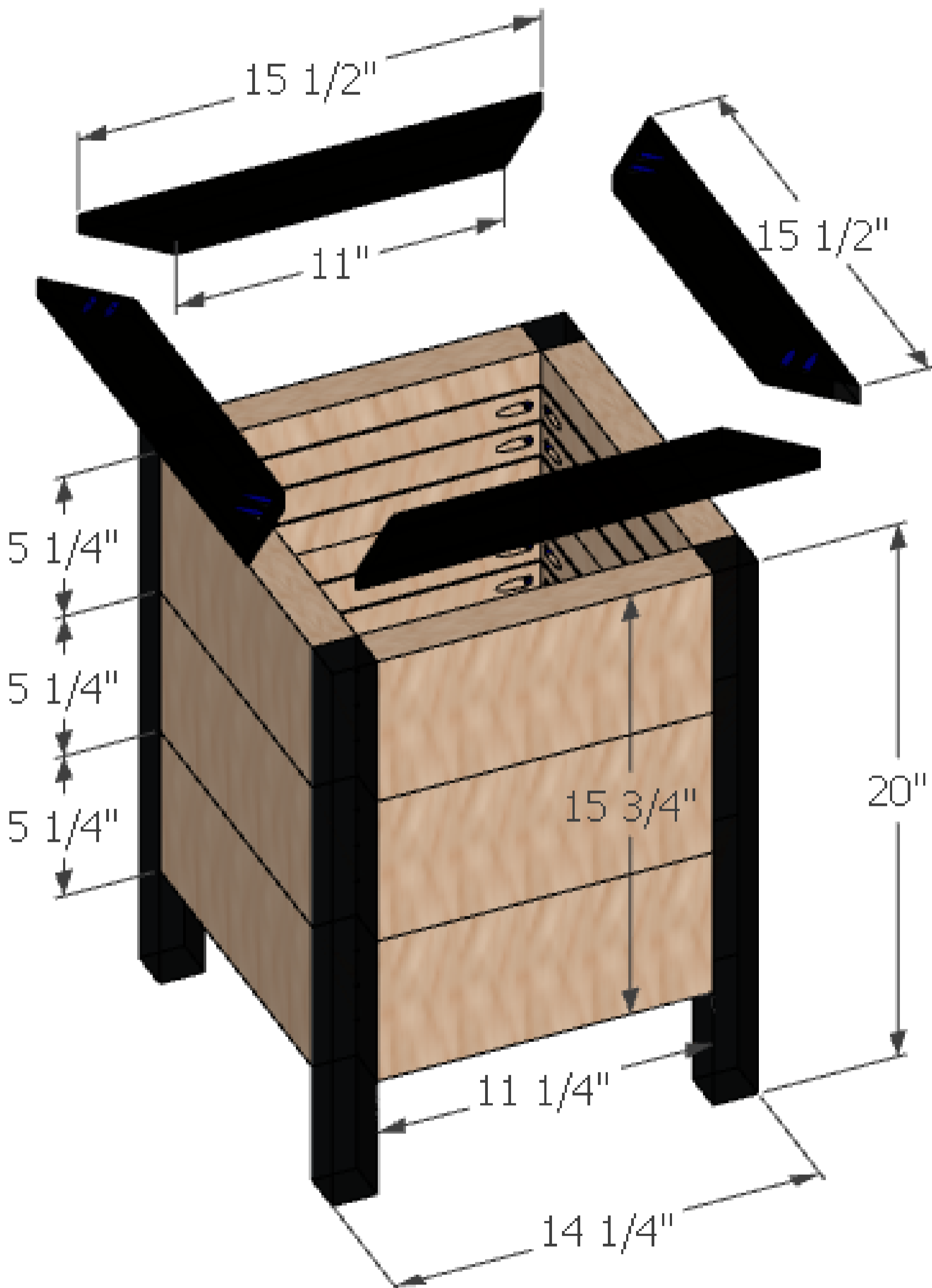
Put sides together into box by attaching to legs. Prepaint legs before assembly if desired.



4

Add top trim

The trim is made from cedar that is three inches side and cut at 45 degree angles at the corners and connected with pocket holes on the underside. Prepaint the pieces black if desired and attach with staple gun from the top. Fill all holes with wood filler, sand and repaint black.



5**Add slats**

The planter pots will sit directly onto the slats so it is easy to swap out seasonally. We attached the slats (1 inch pieces of cedar) 11 inches from the top of the planter.

