

Outdoor Plant Wall

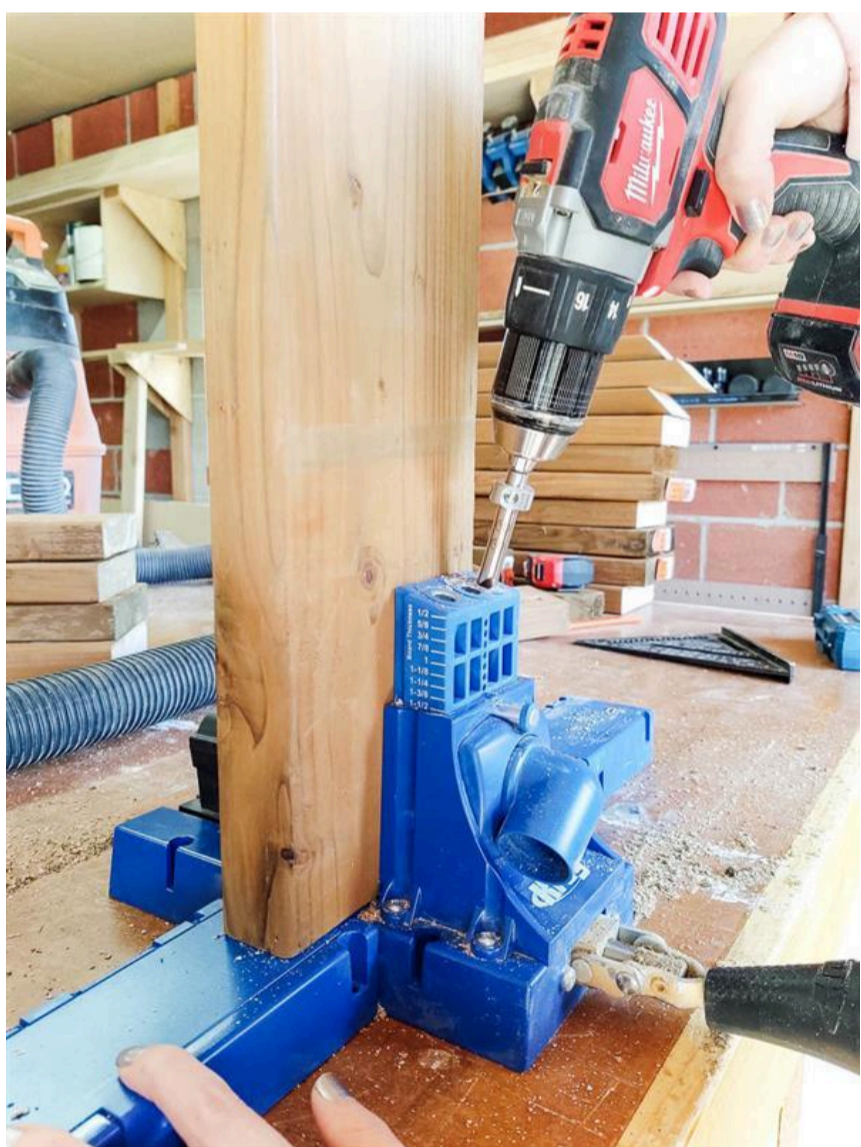
By **Making Manzanita**

Difficulty

Easy

This DIY outdoor plant wall is perfect for Spring and Summer! This easy build incorporates pocket hole joinery and is mounted on the exterior of your house to spruce up your backyard or add more curb appeal in your front yard. Mount terra cotta plants and add succulents or even start an herb garden!





Tools

Kreg Tools



[Kreg® Pocket-Hole Jig 720](#)

Other Tools

Miter Saw

Square

Tape Measure

Impact Driver

Sander

Shop Vacuum

Tape Measure

Materials

Wood Products

4 Pressure Treated Wood , 2x4 , 72"

6 Pressure Treated Wood , 2x6 , 72"

Hardware & Supplies

1 Wagner FLEXio 3000 Paint Sprayer

1 Primer

1 Quart Of Exterior Paint

1 Paint Brush

9 Terra Cotta Pots (6 Inch)

1 Mix Of Perlite, Cactus Soil And Succulent Rock Mixture

9 Succulents

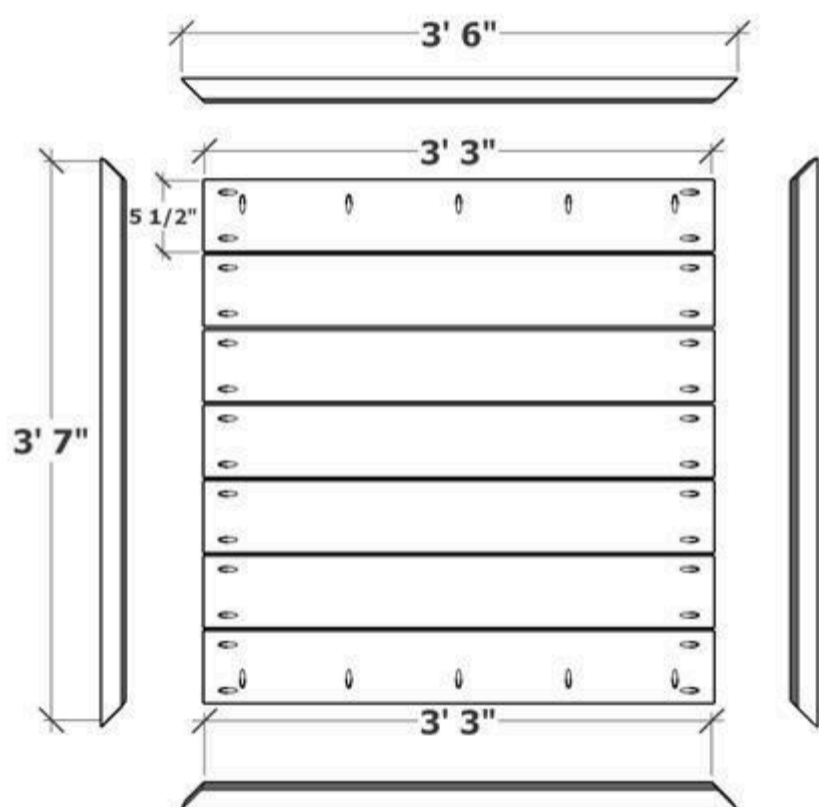
9 Planter Pot Hooks

24 2 1/2" Blue Coated Outdoor Kreg Screws

16 2 1/2" Exterior Construction Screws (For Corners)

Cut List & Parts

- 7 Slats, 1 1/2" X 5 1/2" X 39"
- 2 Top & Bottom Frame, 1 1/2" X 3 1/2" X 42" With 45 Degree Mitered Edges
- 2 Side Frame, 1 1/2" X 3 1/2" X 43" With 45 Degree Mitered Edges



Directions

1

Cut wood

Cut wood down to size according to the cut list with a miter saw.



2

Drill pocket holes

Drill pocket holes on the end of each slat (2 on each end). On one top slat and one bottom slat drill 5 pocket holes horizontally to screw into the top and bottom frame.



3**Assemble outdoor plant wall**

Assemble outdoor plant wall. Start by attaching all slats to one of the side pieces of the frame spacing them evenly with 1/4" space in between each slat. Next, add the top and bottom of the frame and lastly add the other side piece of the frame. On the mitered corners of the frame, add two screws through each outside corner (4 total screws in each corner).



4

Sand

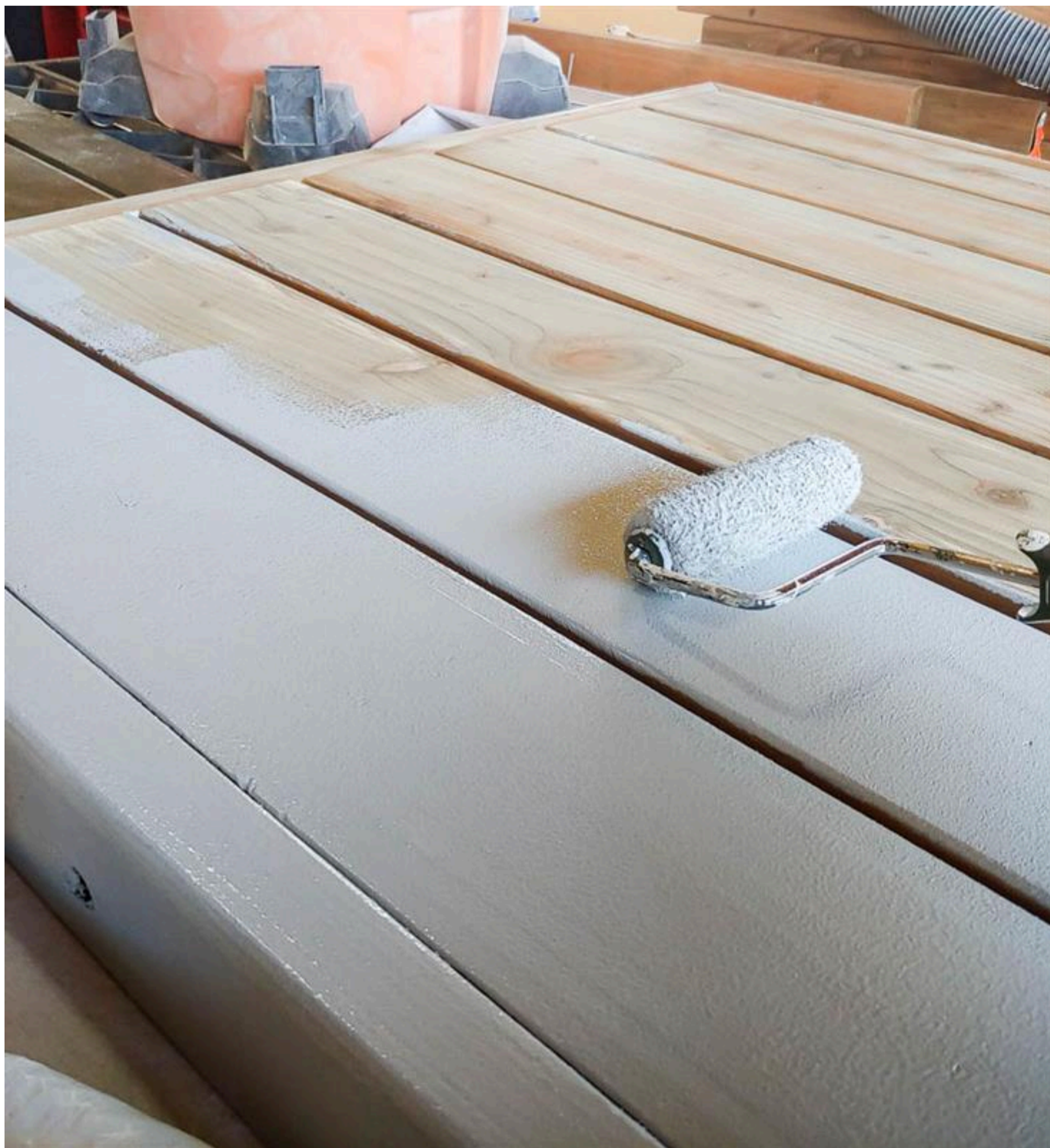
Sand entire structure lightly with orbital sander starting with 80 grit sandpaper on any uneven pieces (we had some due to warping) and working up to 150 grit sand paper.



5

Prime

Roll on primer onto entire structure.



6

Paint

Paint entire structure with exterior paint. We used a paint sprayer, which made it easy to get into the cracks and corners.



7

Add Planter Hooks

Mark spaces for 9 planters so they are evenly spaced on your plant wall and attach the planter pot hooks.



8**Plant Succulents**

Plant your succulents in terra cotta planters with cactus soil, Perlite and succulent rock mix to provide adequate drainage.



9

Hang plant wall

Hang plant wall on your wall. Our exterior is brick, so we drilled two angled holes at the correct height and added steel rods and secured with 100% silicone. The plant wall hangs directly onto the steel rods.

