

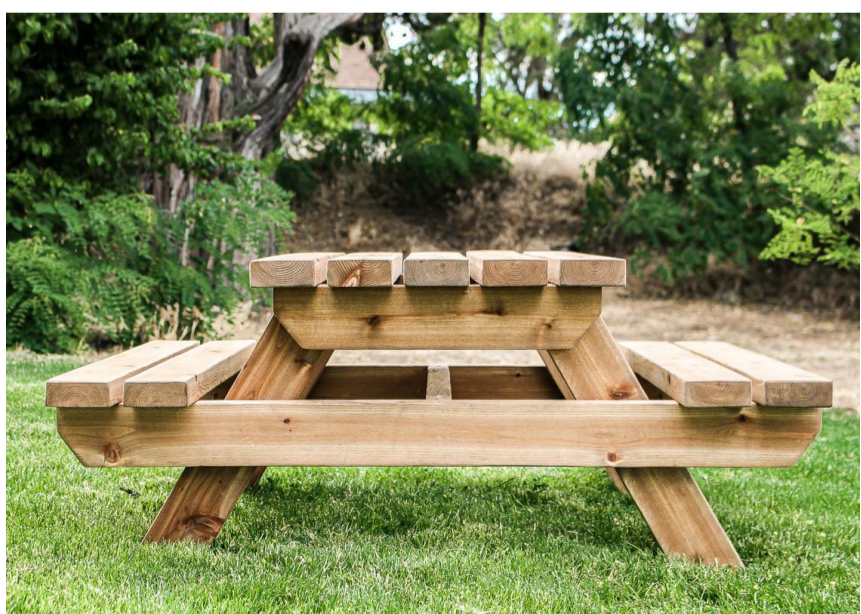
Kids Picnic Table

By **Making Manzanita**

Difficulty

Easy

If you have toddlers, make them their own outdoor wooden picnic table with pocket hole joinery this summer!! They will love eating snacks at the table while taking a break from outdoor play. It also makes a great place for the little ones to sit while you have outdoor dinner parties!





Tools

Kreg Tools



[Kreg® Pocket-Hole Jig 720](#)

Other Tools

Circular Saw (cordless)

Miter Saw

Tape Measure

Clamps

Impact Driver

Sander

Shop Vacuum

Materials

Wood Products

10 Board , 2x4 , 96"

Hardware & Supplies

36 2 1/2" Blue-Kote Pocket Hole Screws

1 Teak Oil + Stain (WATCO Brand, Hazelnut Color)

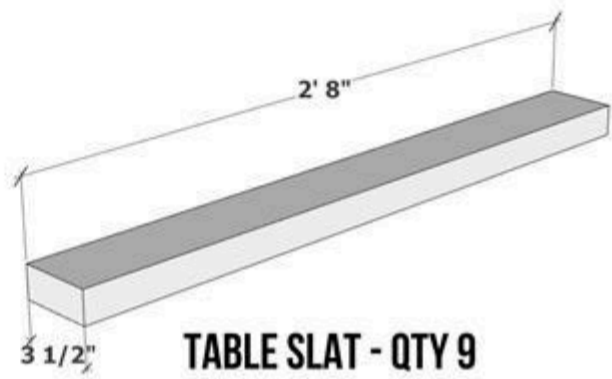
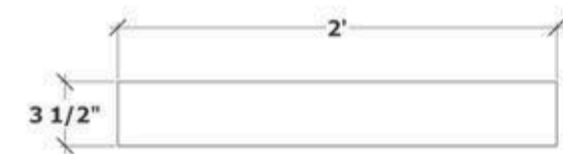
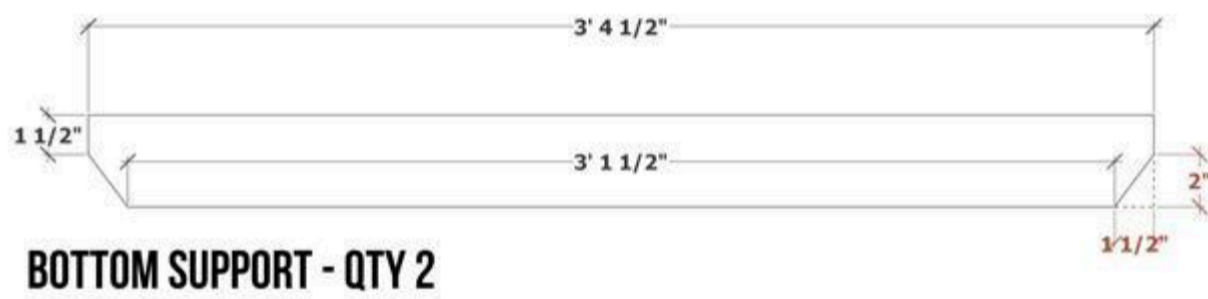
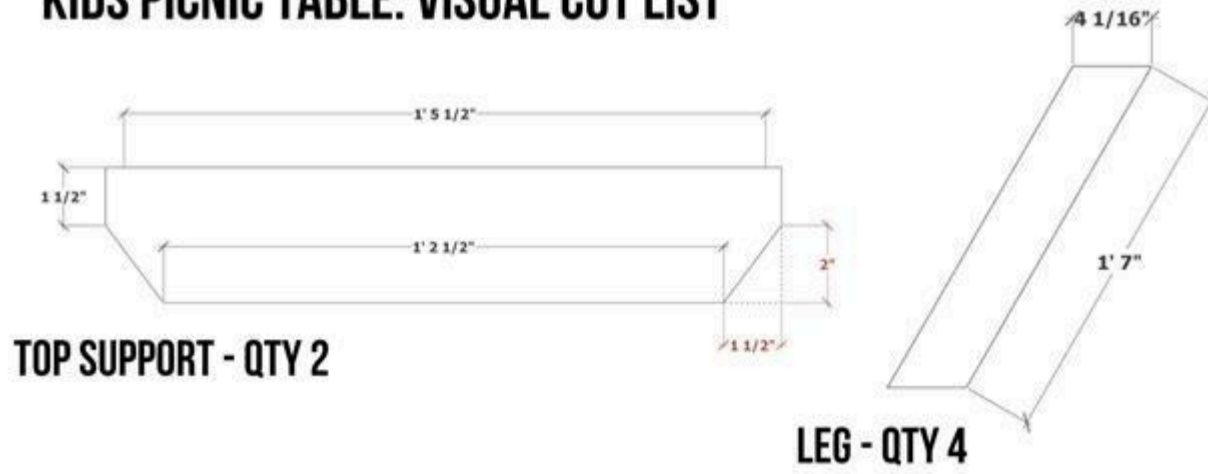
36 2 1/2" Construction Screws

1 150 Grit Sandpaper

Cut List & Parts

- 2 Top Support , 1 1/2" X 3 1/2" X 1' 5 1/2" With Notches On Corners As Shown
- 2 Bottom Support , 1 1/2" X 3 1/2" X 3' 4 1/2" With Notches On Corners As Shown
- 1 Middle Support , 1 1/2" X 3 1/2" X 2'
- 4 Legs , 1 1/2" X 3 1/2" X 1' 7" With 30 Degree Angled Cuts At Shown
- 9 Table Slats , 1 1/2" X 3 1/2" X 2' 8"

KIDS PICNIC TABLE: VISUAL CUT LIST



(c) Making Manzanita - For Personal Use Only

Directions

1

Cut wood down to size

Follow along with the free woodworking plans provided for your visual cut list in the Extras Tab or see the Cut list tab for more details.

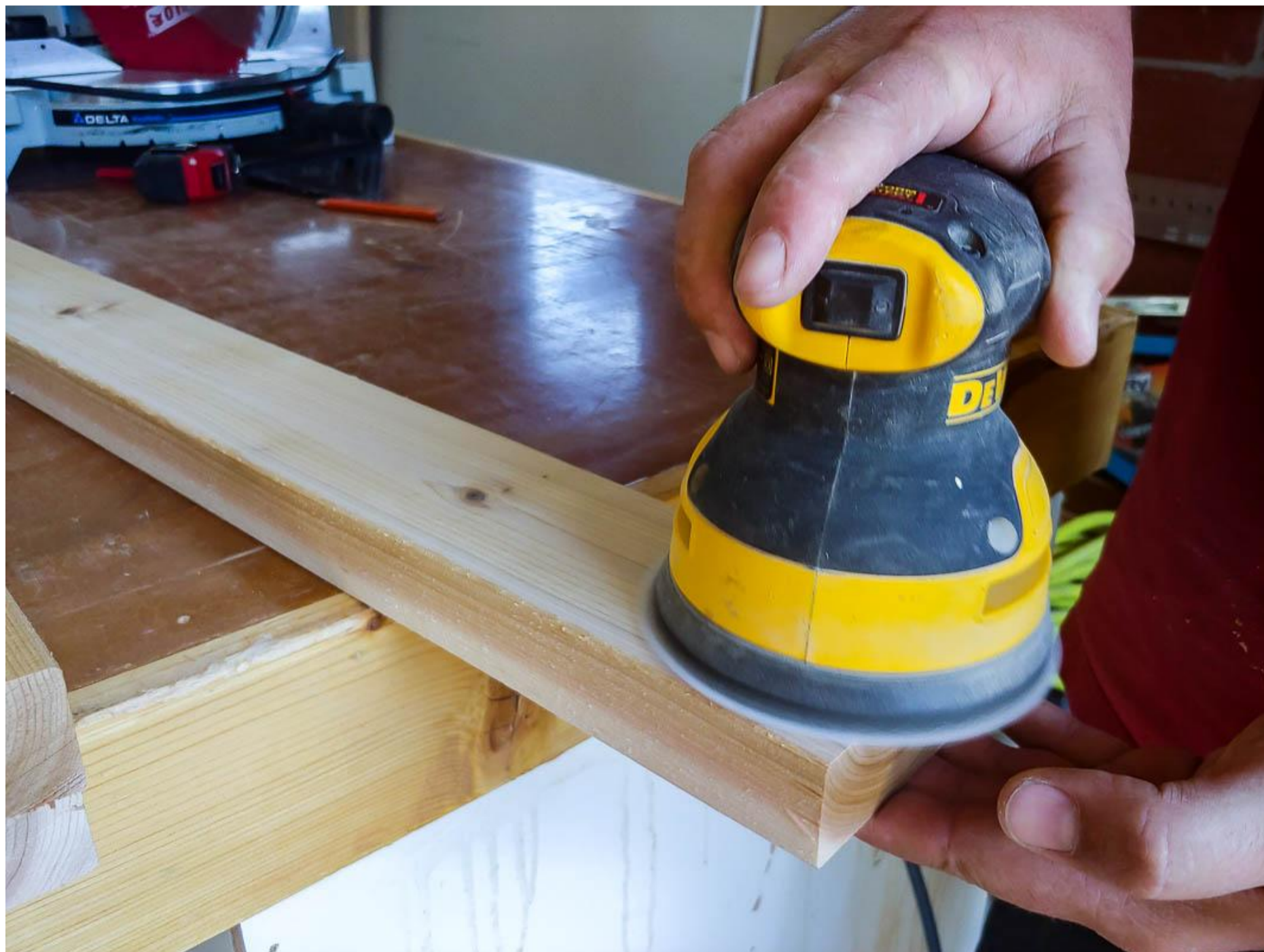
There are several angled cuts that will also need to be cut, which are all detailed in the plans/cut list. To do the angled cuts we drew a line and cut with circular saw.



2

Sand wood

Next move on to sanding the wood very smooth with 150 grit sandpaper on an orbital sander. Also, take the time to round the edges and corners to your sander to give it a more comfortable feel.



3

Drill pocket holes

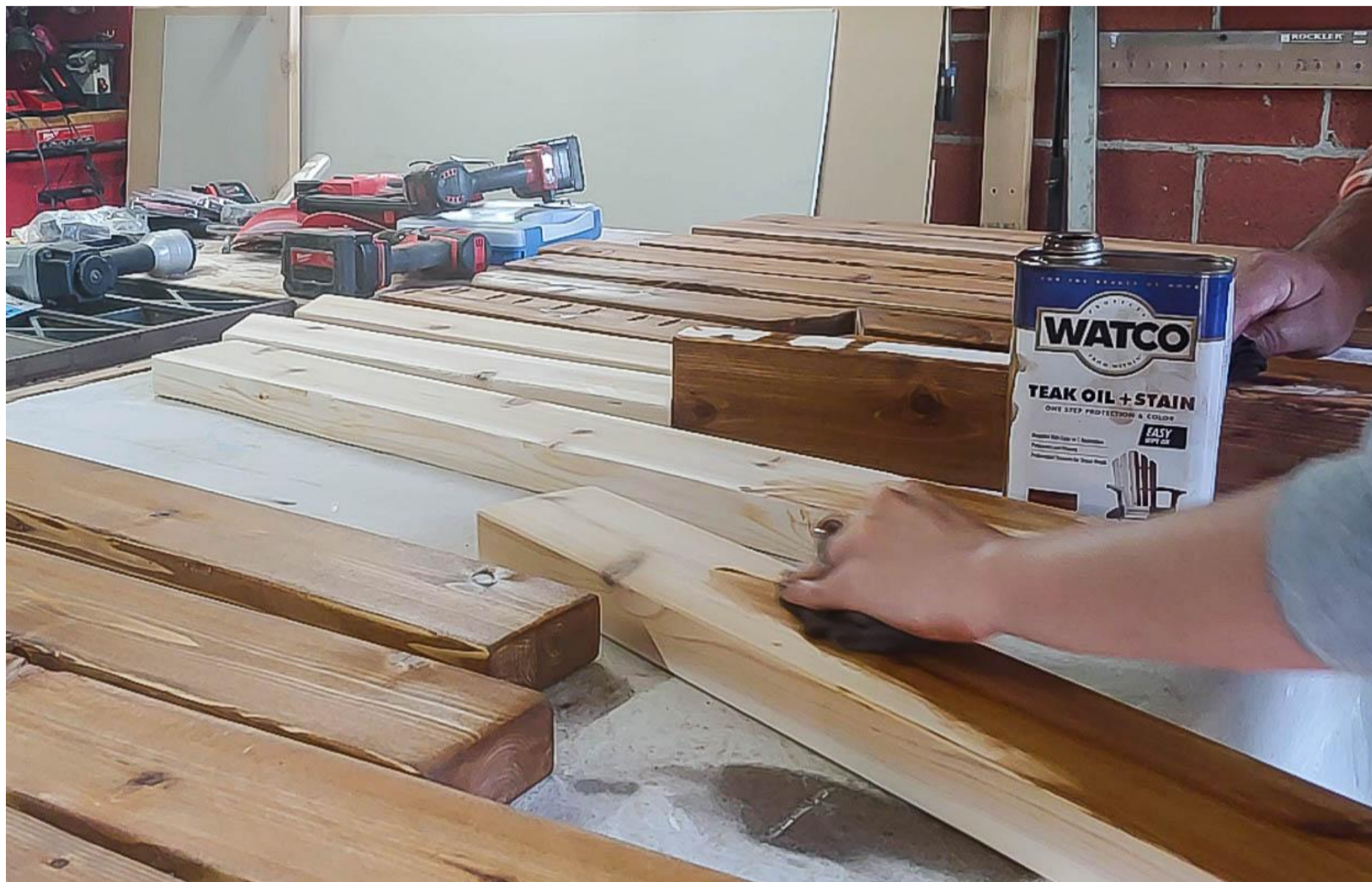
Using your Kreg pocket hole jig, drill the pocket holes where shown on the woodworking plans.



4

Stain wood

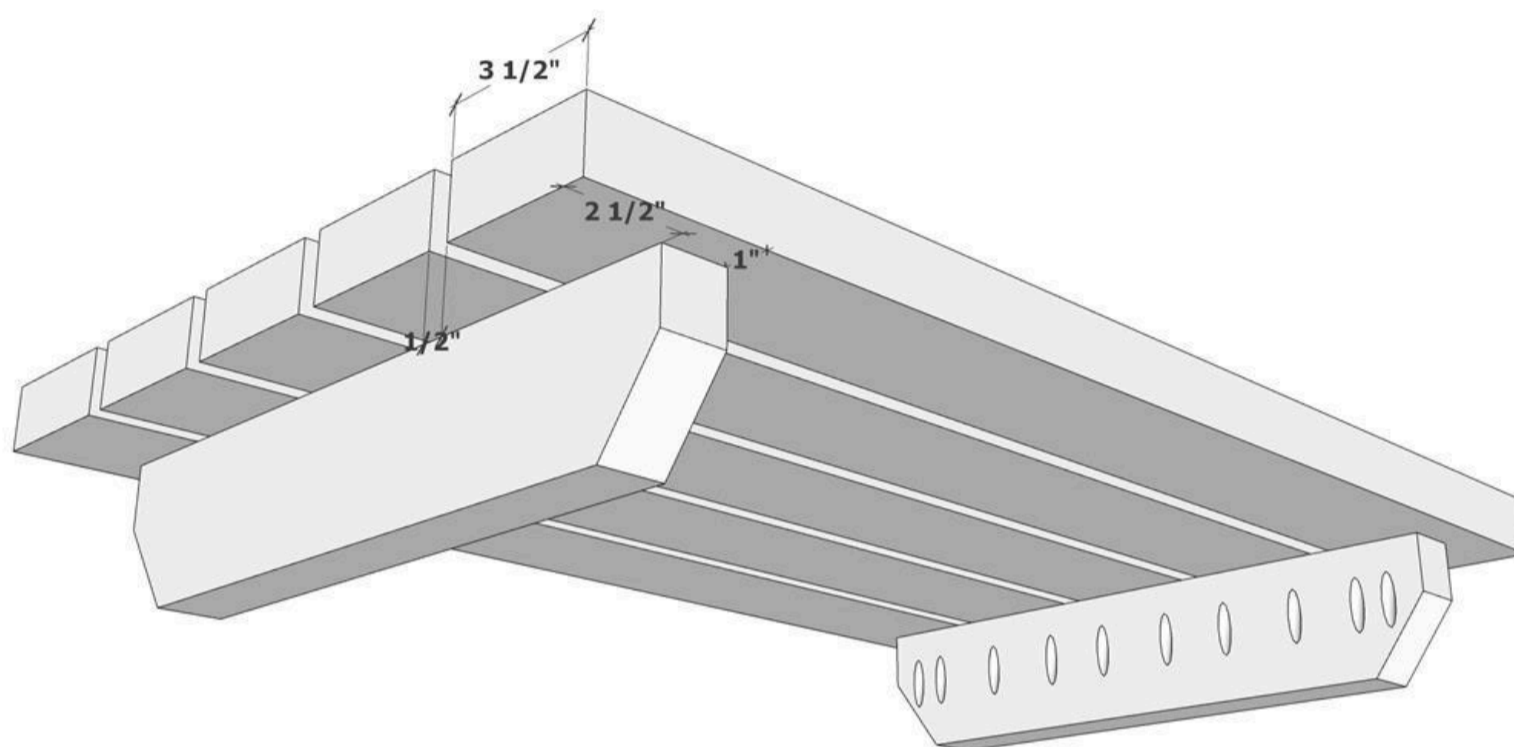
We chose to use a teak oil stain on our wood, which is great for outdoor use. We used WATCO Teak Oil + Stain in the Hazelnut color.



5**Assemble top.**

First start by putting the top together first.

Lay the table slats on a flat surface spaced 1/2" apart. Lay top support on one end and screw 2 1/2" pocket hole screws into pocket holes. Repeat with the other support on the opposite end.

**6****Assemble legs.**

Next you'll want to put on the legs. The legs connect on the inside to the top support in each corner. Pre-drill 4 pilot holes where the leg will connect and secure with 2 1/2" construction screws.

7**Attach bottom support.**

Once all the legs are attached you'll can move on to attaching the bottom support on the legs for the seats. Measure as shown in woodworking places and check to make sure it is level before securing. Secure the bottom support the same way you did with the top support pieces with four 2 1/2" construction screws.



8**Secure bench slats.**

Secure two table slats on each side for benches, spaced 1/2 inch apart with 2 1/2" pocket hole screws into the pocket hole guides as previously drilled.

9**Add middle support.**

Using 2 1/2" construction screws driven at a slight angle into bottom support, secure the middle support to the table. We used one construction screw on top and one on bottom on each end.
