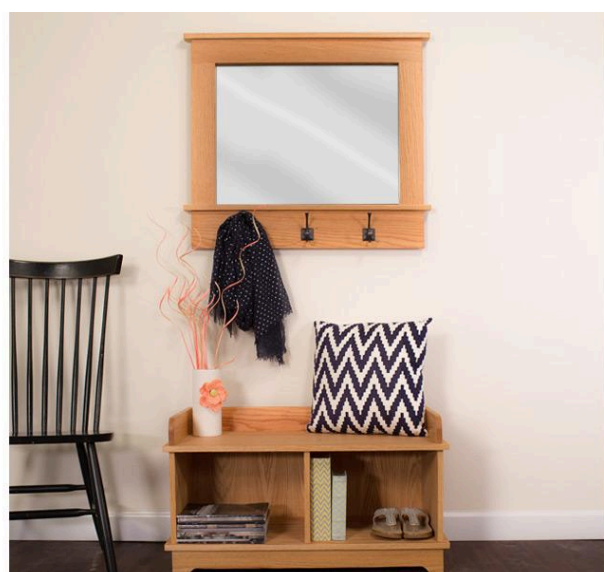
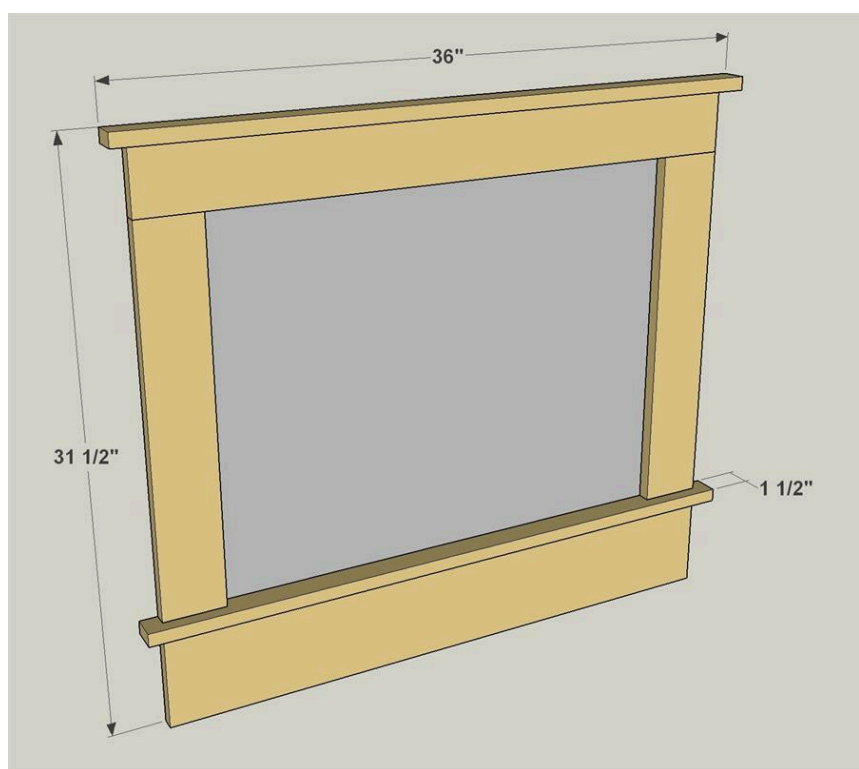


Wall-Mounted Mirror

By **Kreg Tool**

Difficulty
Moderate

This great-looking mirror is perfect for a hallway or entryway, or just about anywhere that you'd like to add some functional style. The mirror's great looks may only be surpassed by how simple it is to build.



Tools

Kreg Tools



[Kreg® Pocket-Hole Jig 720](#)

Other Tools

Miter Saw

Drill (cordless)

Sander

Materials

Wood Products

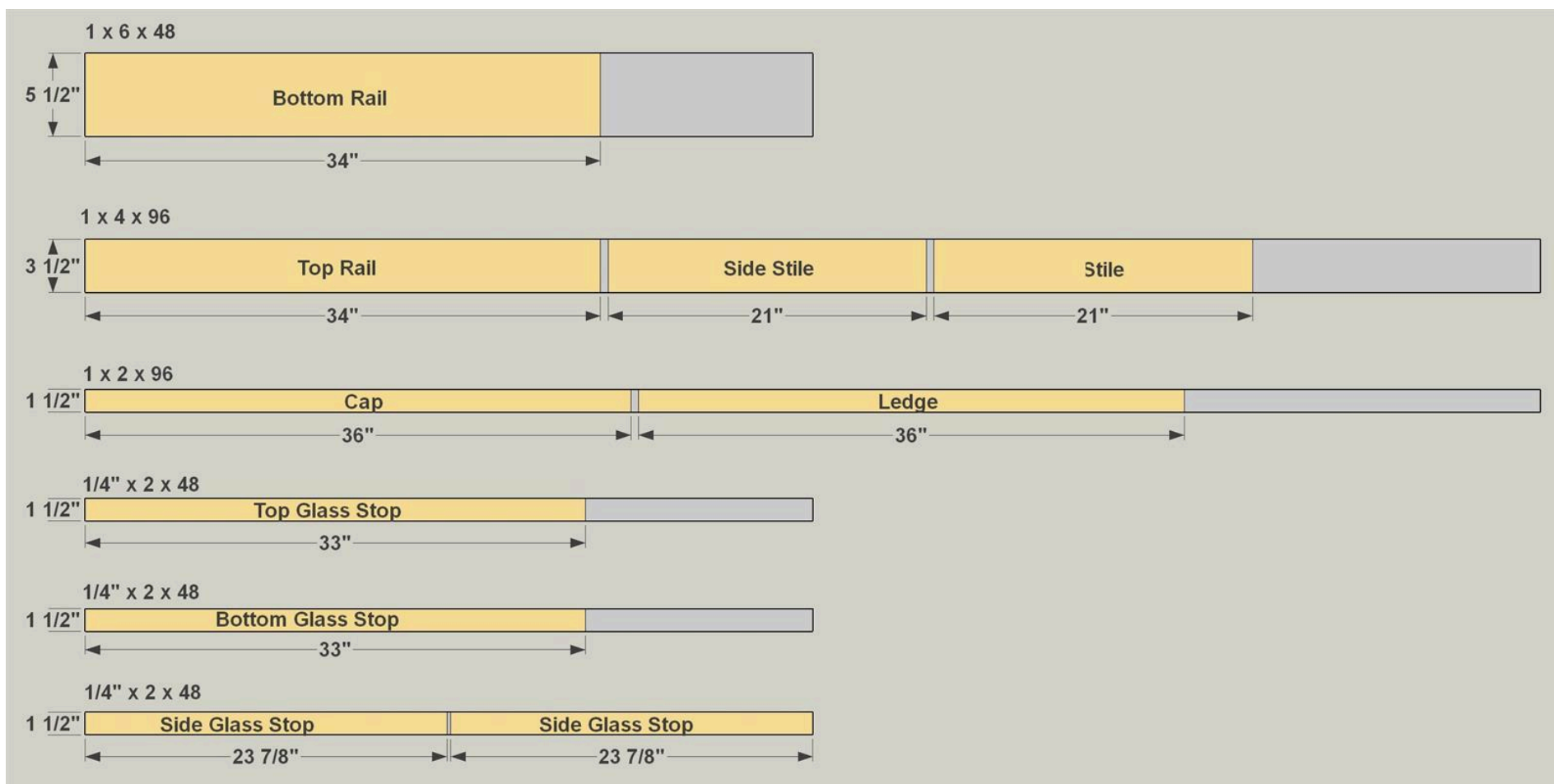
- 1 Board , 1x6 , 48"
- 1 Board , 1x4 , 96"
- 1 Board , 1x2 , 96"
- 3 Board , 1/4" X 2 , 48"

Hardware & Supplies

- 22 1 1/4" Fine-thread Pocket-hole Screws
- 1 1/4" (6mm) X 24" X 30" Mirror (Flat Or Beveled, No Backing)
- 25 5/8" Brad Nails
- 8 Glass Retainers/Clips
- 2 Large D-Ring Picture Hangers
- 3 Coat Hooks
- 1 Wood Glue

Cut List & Parts

- 1 Bottom Rail, 3/4" X 5 1/2" X 34"
- 1 Top Rail, 3/4" X 3 1/2" X 34"
- 2 Side Stiles, 3/4" X 3 1/2" X 34"
- 1 Cap, 3/4" X 1 1/2" X 36"
- 1 Ledge, 3/4" X 1 1/2" X 36"
- 2 Top/Bottom Stop, 1/4" X 1 1/2" X 33"
- 2 Side Stop, 1/4" X 1 1/2" X 23 7/8"

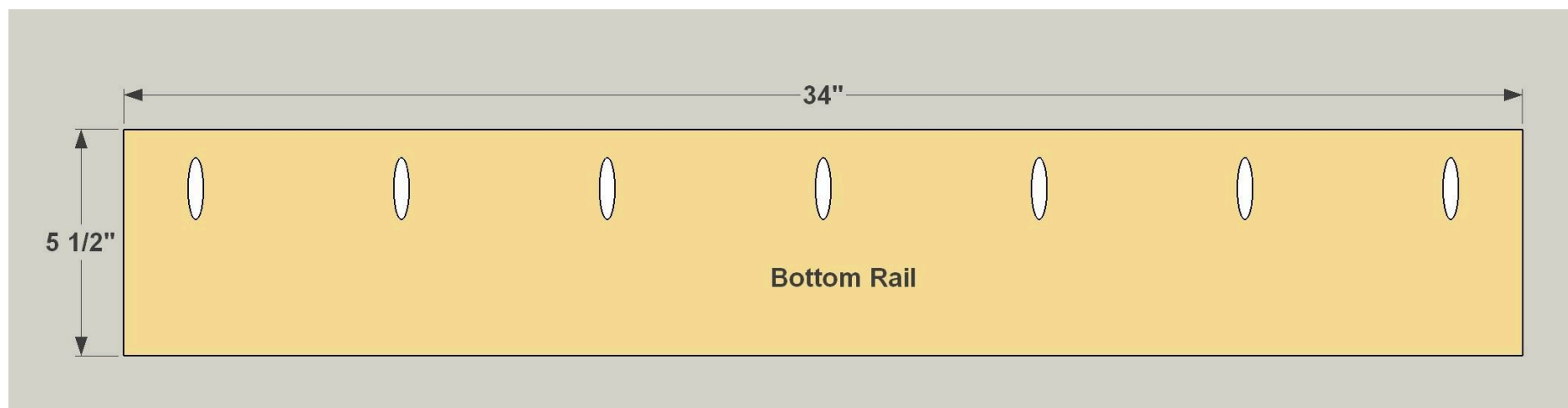


Directions

1

Make the Bottom Rail

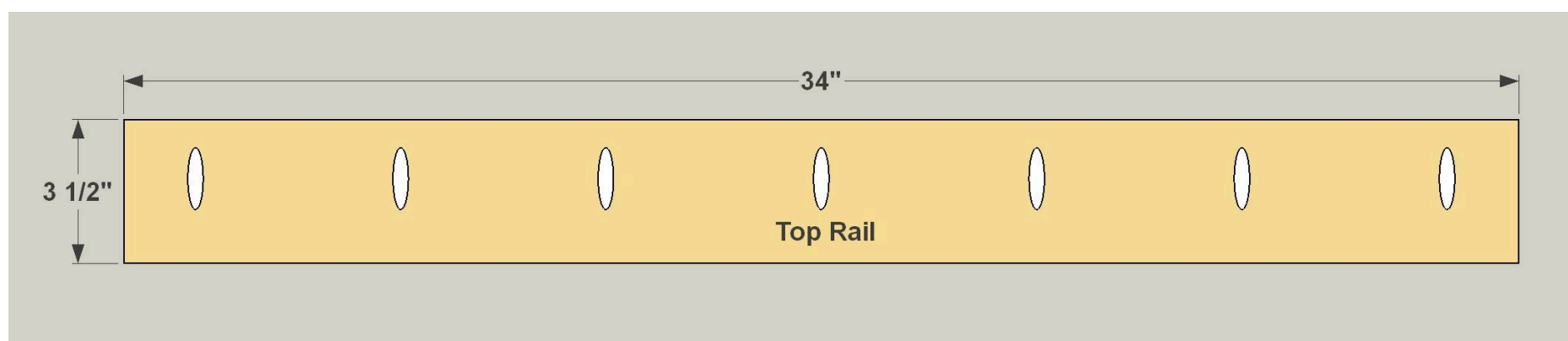
Cut a Bottom Rail to length from a 1x6 board, as shown in the cutting diagram. Then, with your pocket hole jig set up for 3/4" material, drill pocket holes in the back face of the Bottom Rail, as shown.



2

Make the Top Rail

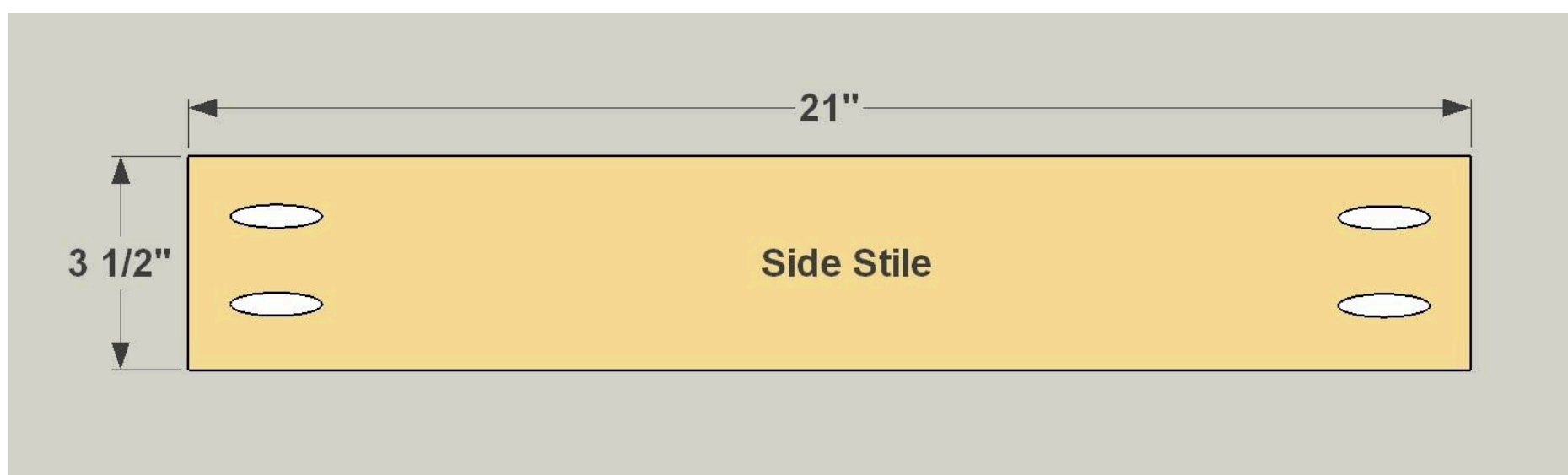
Cut a Top Rail to length from a 1x4 board, as shown in the cutting diagram. Then, with your pocket hole jig set up for 3/4" material, drill pocket holes in the back face of the Top Rail, as shown.



3

Make a Pair of Side Stiles

Cut two Side Stiles to length from a 1x4 board, as shown in the cutting diagram. Then, with your pocket hole jig set up for 3/4" material, drill pocket holes in the back face of the Side Stiles, as shown.



4

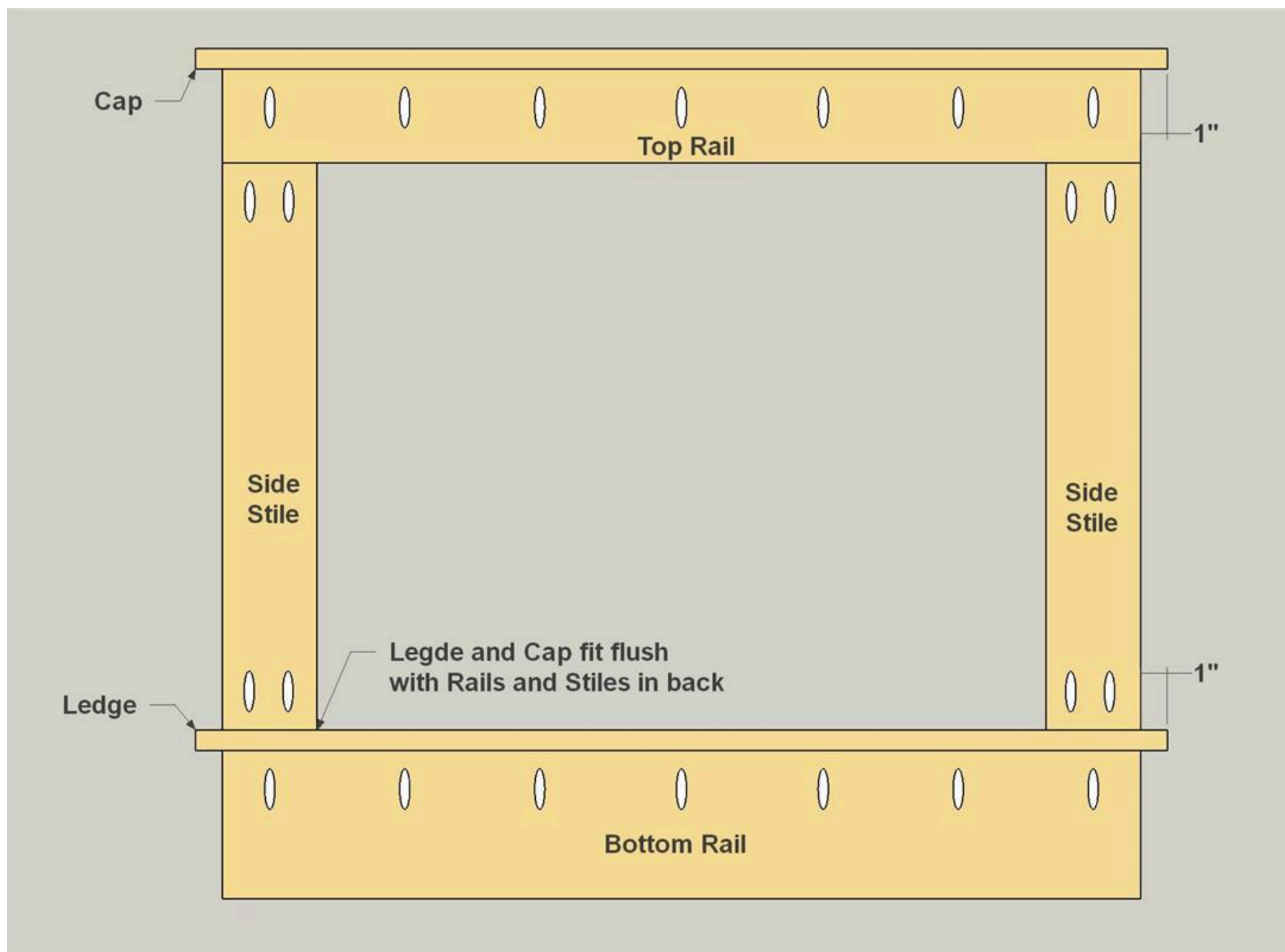
Cut the Cap and Rail

Cut one Cap and one Ledge to length from a 1x2 board, as shown in the cutting diagram. Then sand all the parts you've made to prepare them for assembly.

5

Assemble the Mirror Frame

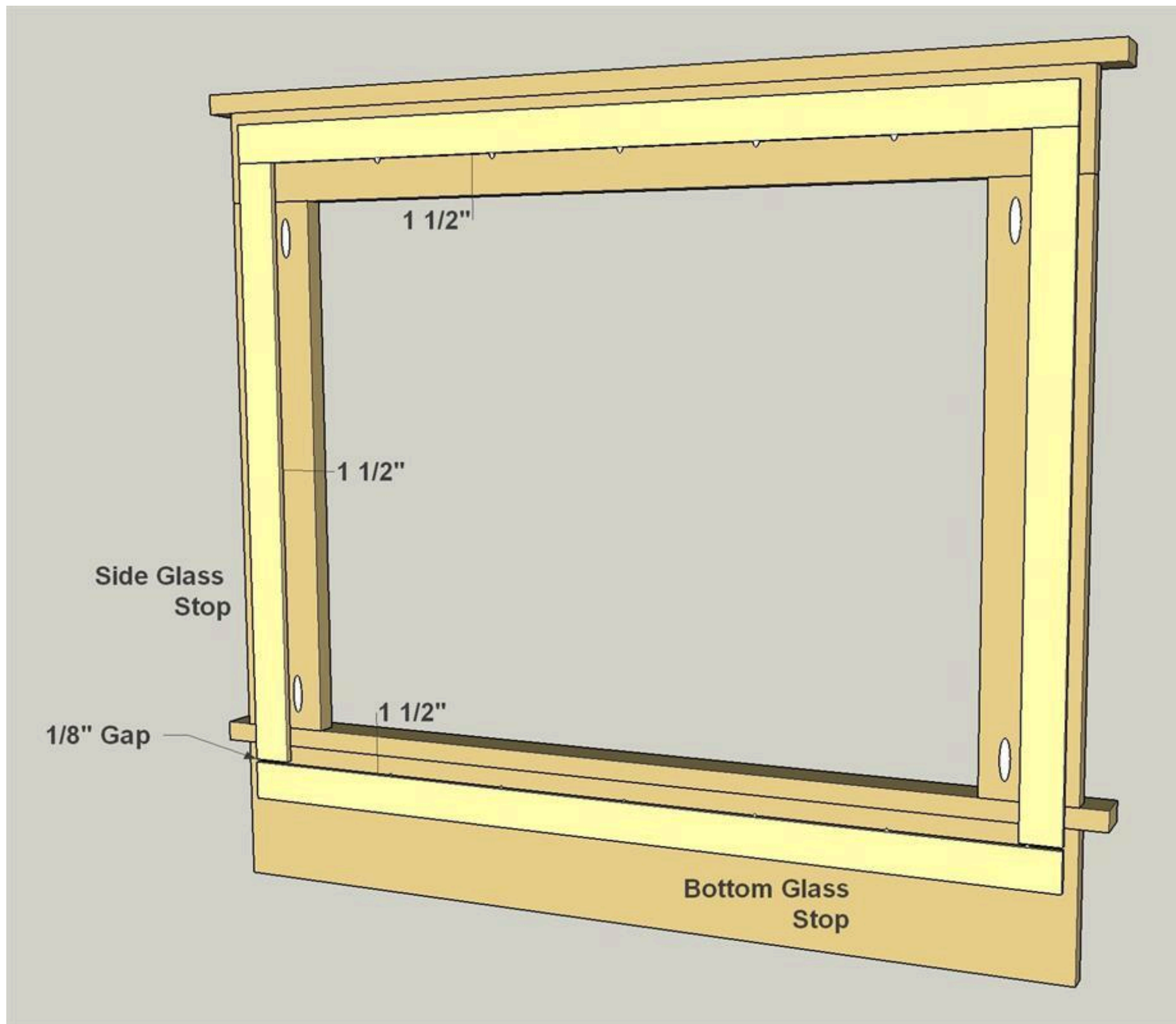
Cut one Cap and one Ledge to length from a 1x2 board, as shown in the cutting diagram. With the parts complete, you can assemble the frame using 1 1/4" fine-thread pocket-hole screws. Note that the Cap and Ledge sit flush with the Rails and Stiles in back, and that the Cap and Ledge also overhang equally on both ends.



6

Add Glass Stops

Cut one Top Glass Stop, one Bottom Glass Stop, and two Side Glass Stops to length from a 1/4"-thick board, as shown in the cutting diagram. Then attach them to the back of the frame. To do this, lay the mirror in position, and then place the Stops around it to verify their positions. Remove the mirror, and then attach the Stops using glue and 5/8" brad nails.



7

Mount the Mirror and Hooks

To complete your mirror, add the stain, finish, or paint of your choice. Then secure the mirror to the stops with glass retainers, and screw on a pair of D-ring hooks for mounting your project to the wall.