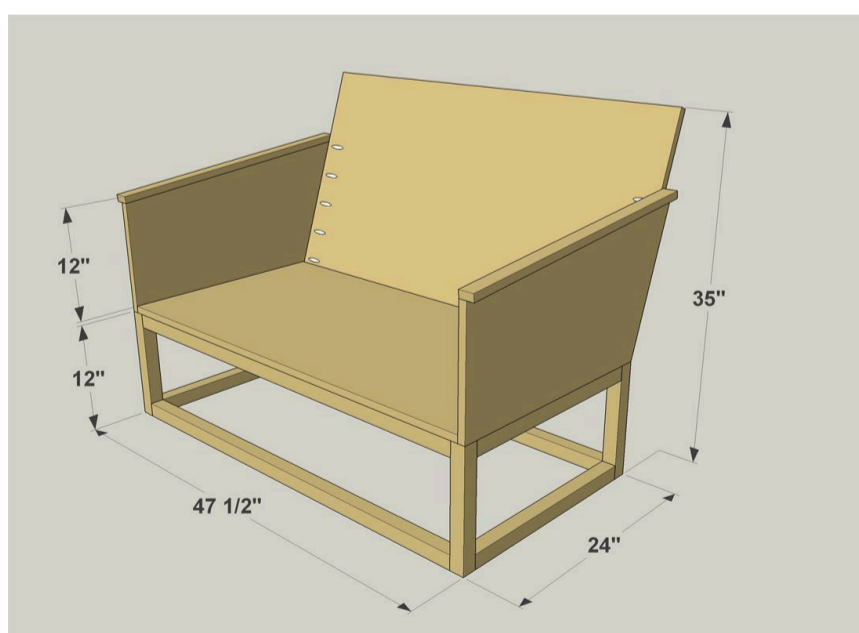


Sunroom Loveseat

By **Kreg Tool**

Difficulty
Moderate

Turn your sunroom or porch into a comfortable place to hang out with this love seat. With indoor/outdoor cushions, it's perfect for a covered porch or patio, or for a three-season porch. Plus, you can build it easily using one sheet of plywood, a few boards, and a set of off-the-shelf cushion.



Tools

Kreg Tools



[Kreg® Pocket-Hole Jig 720](#)

Other Tools

Circular Saw (corded)

Miter Saw

Tape Measure

Drill (cordless)

Hammer

Sander

Materials

Wood Products

1 Board , 1x2 , 72"

5 Board , 2x2 , 72"

1 Plywood , 3/4" Thick , Full Sheet

Hardware & Supplies

25 1 1/4" Exterior Pocket Hole Screws

32 2 1/2" Exterior Pocket Hole Screws

12 1 1/2" Brad Nails

6 2" Wood Screws

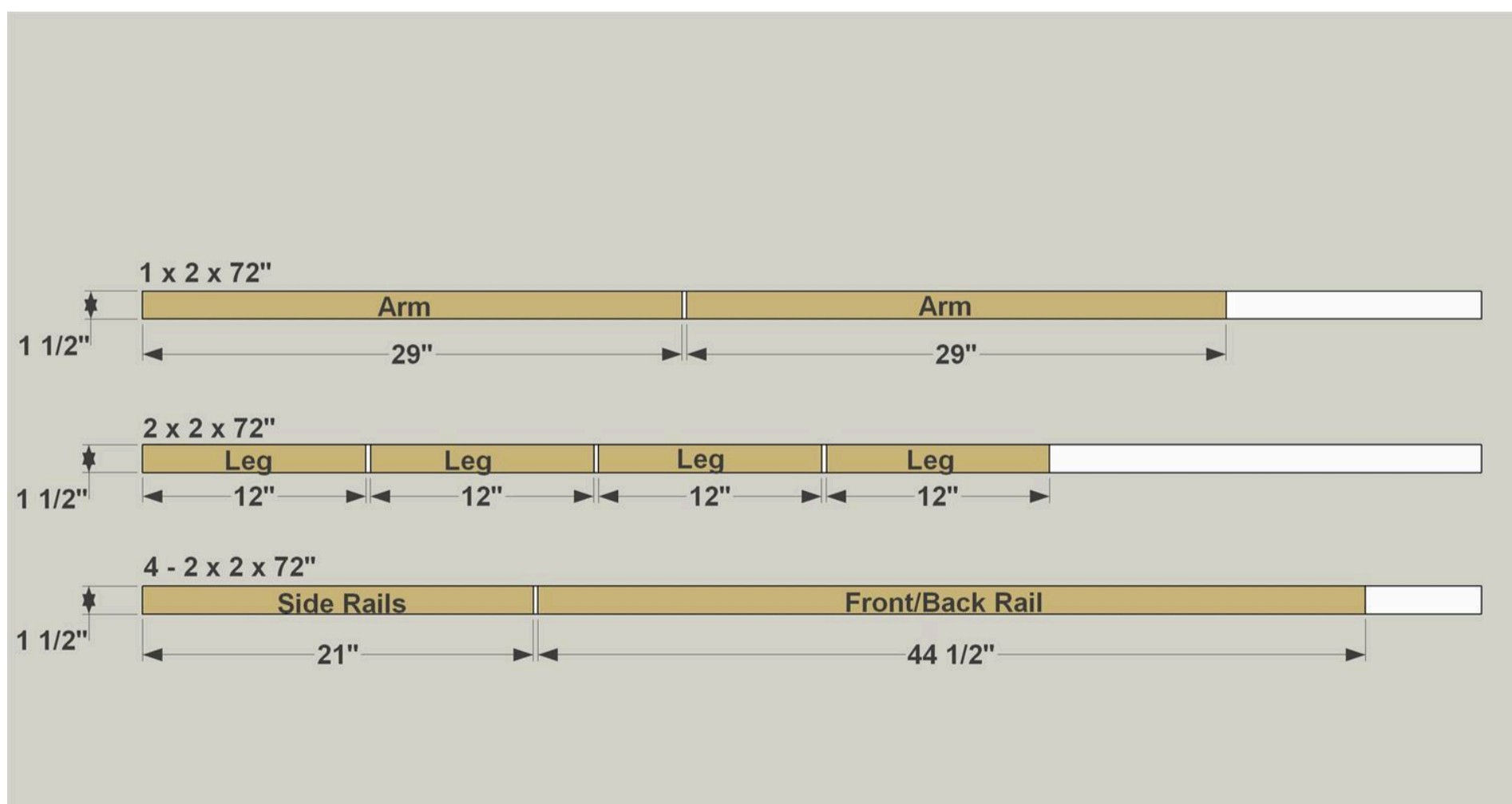
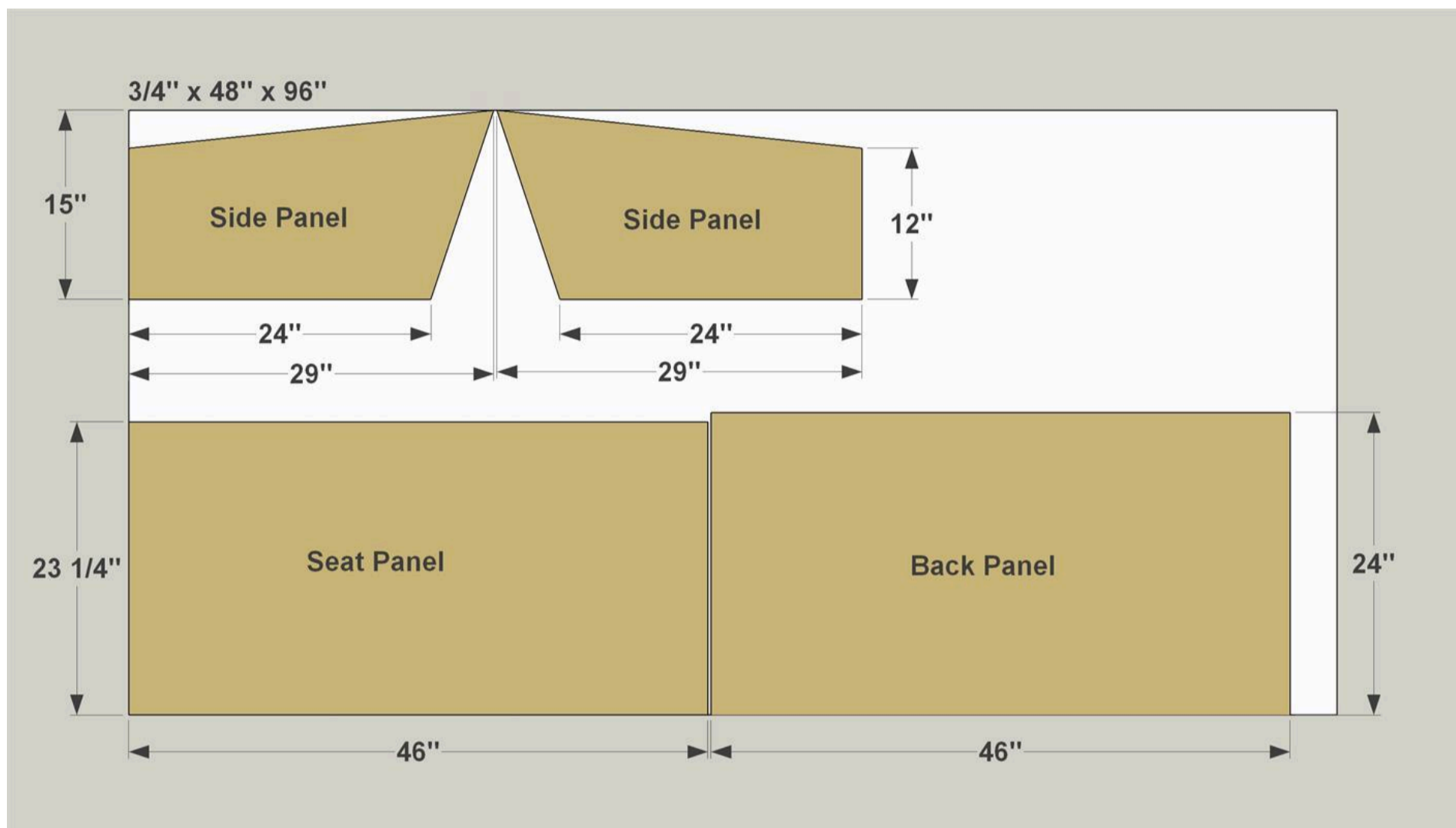
2 24" X 24" Outdoor Cushions With Backs

1 Exterior Wood Glue

4 Deep Seat Cushions, Approximately 23" X 23"

Cut List & Parts

- 2 Side Panels , 3/4" Ply X 15" X 29"
- 1 Back Panel , 3/4" Ply X 24" X 46"
- 1 Seat Panel , 3/4" Ply X 23 1/4" X 46"
- 2 Arms , 3/4" X 1 1/2" X 29"
- 4 Legs , 1 1/2" X 1 1/2" X 12"
- 4 Side Rails , 1 1/2" X 1 1/2" X 21"
- 4 Front/Back Rails , 1 1/2" X 1 1/2" X 46"

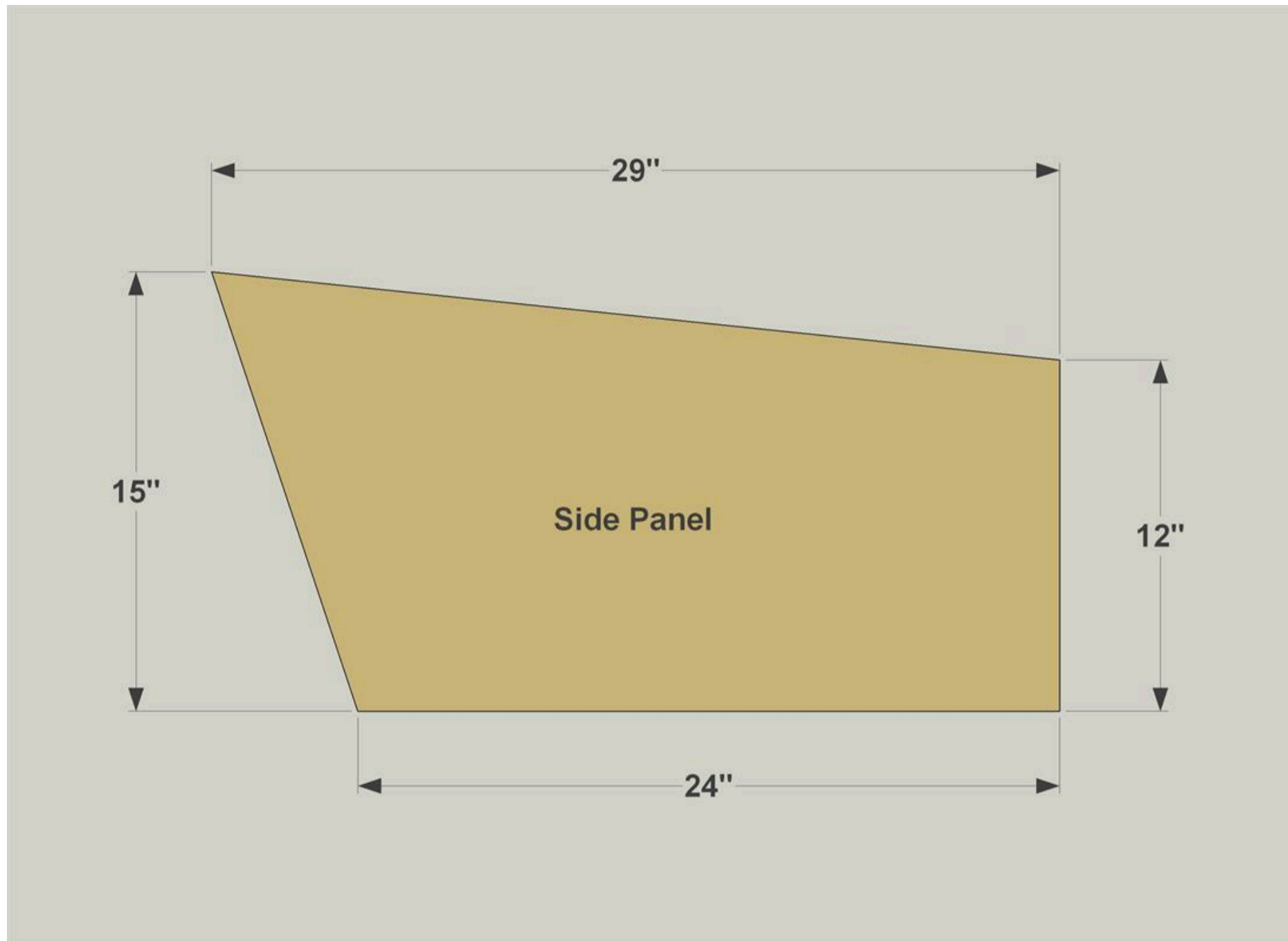


Directions

1

Make a Pair of Side Panels

Cut two Side Panels from 3/4" plywood, as shown in the cutting diagram. The easiest way to do this is to cut a long rectangle first, then lay out the angles, and cut the pieces to final shape.



2**Make the Back Panel**

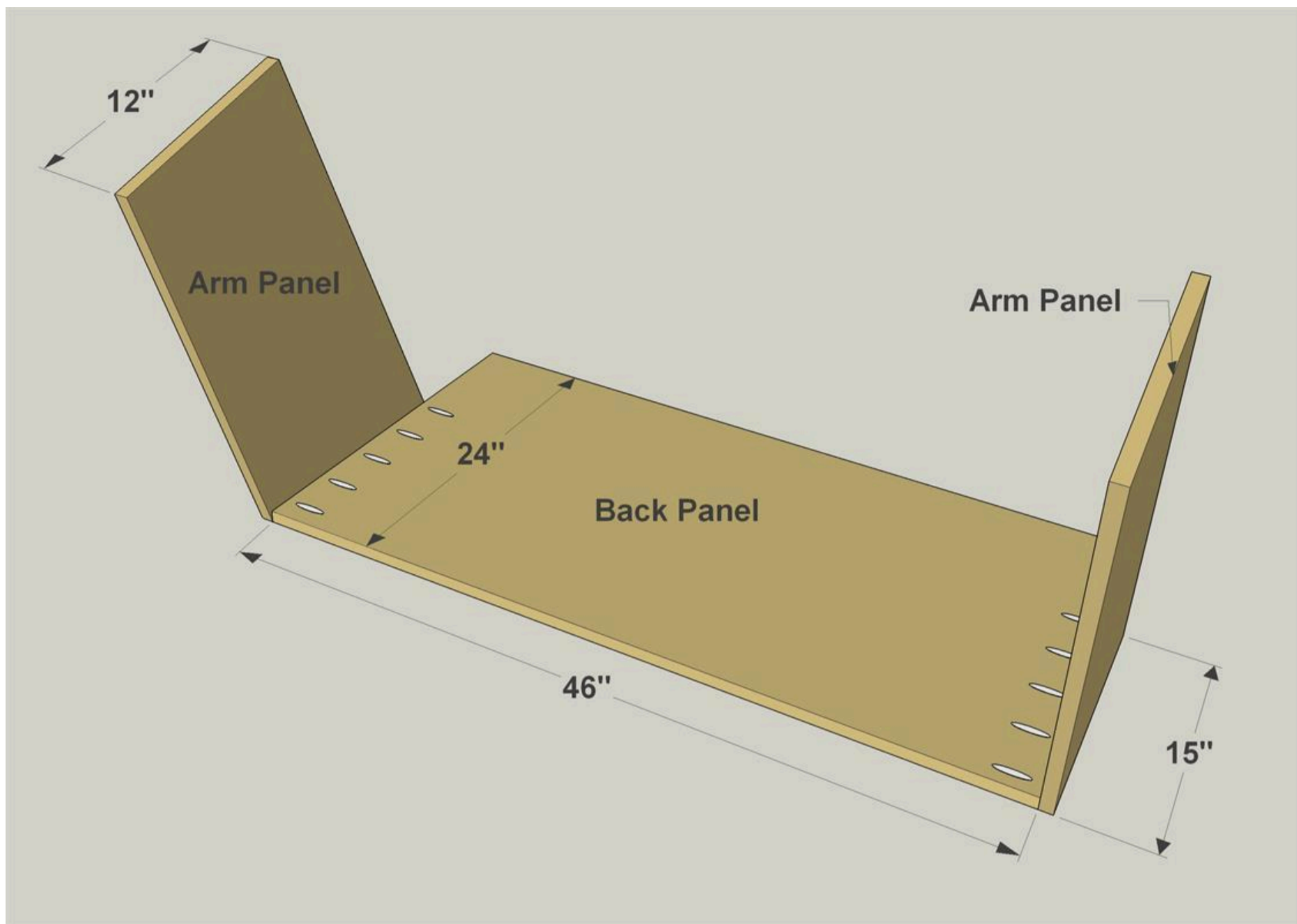
Cut the Back Panel to size from 3/4" plywood, as shown in the cutting diagram. Then, with your pocket hole jig set up for 3/4" material, drill pocket holes where shown.



3

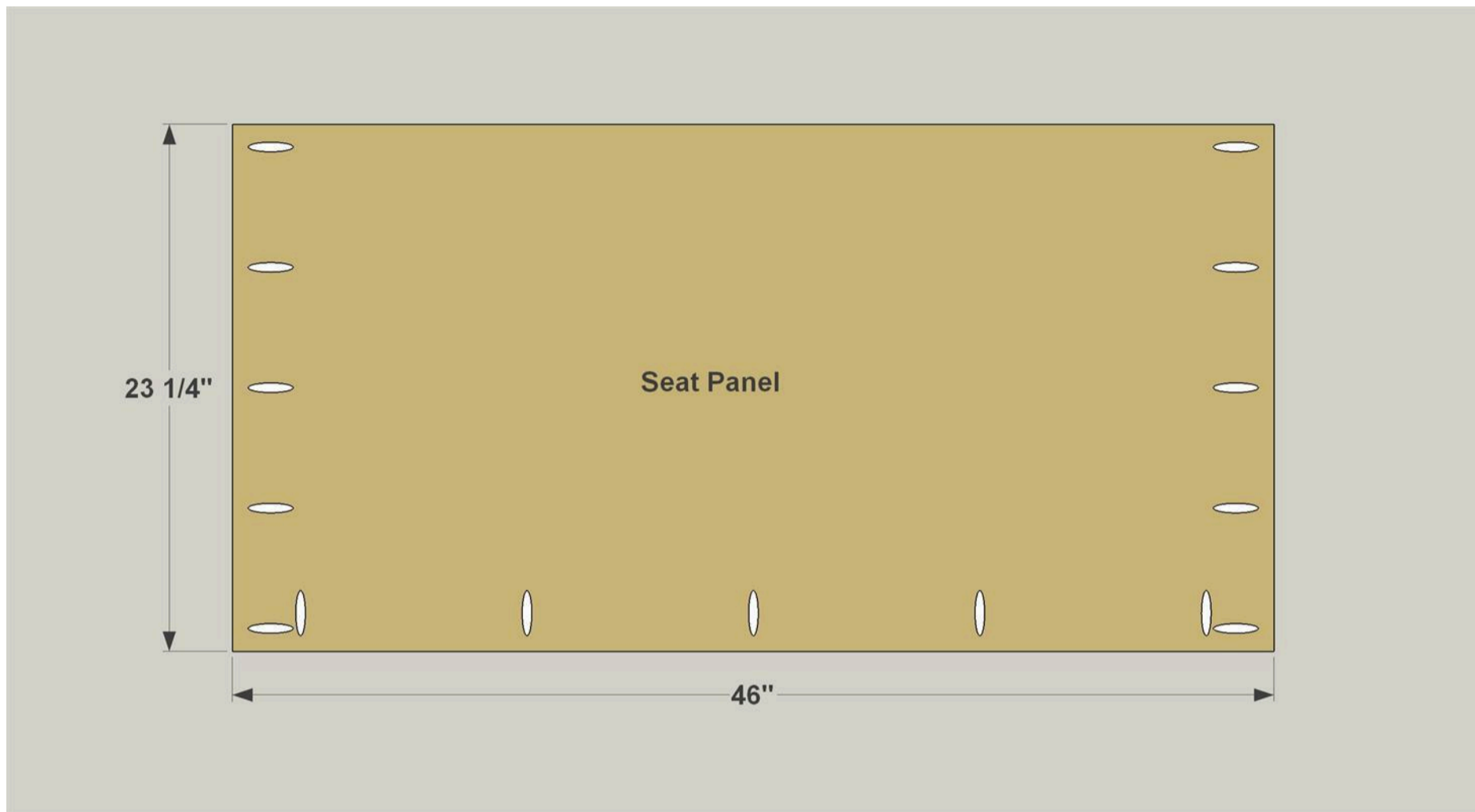
Attach the Back to the Sides

Attach the Side Panels to the Back Panel using 1 1/4" exterior pocket holes screws, as shown.



4**Make a Seat Panel**

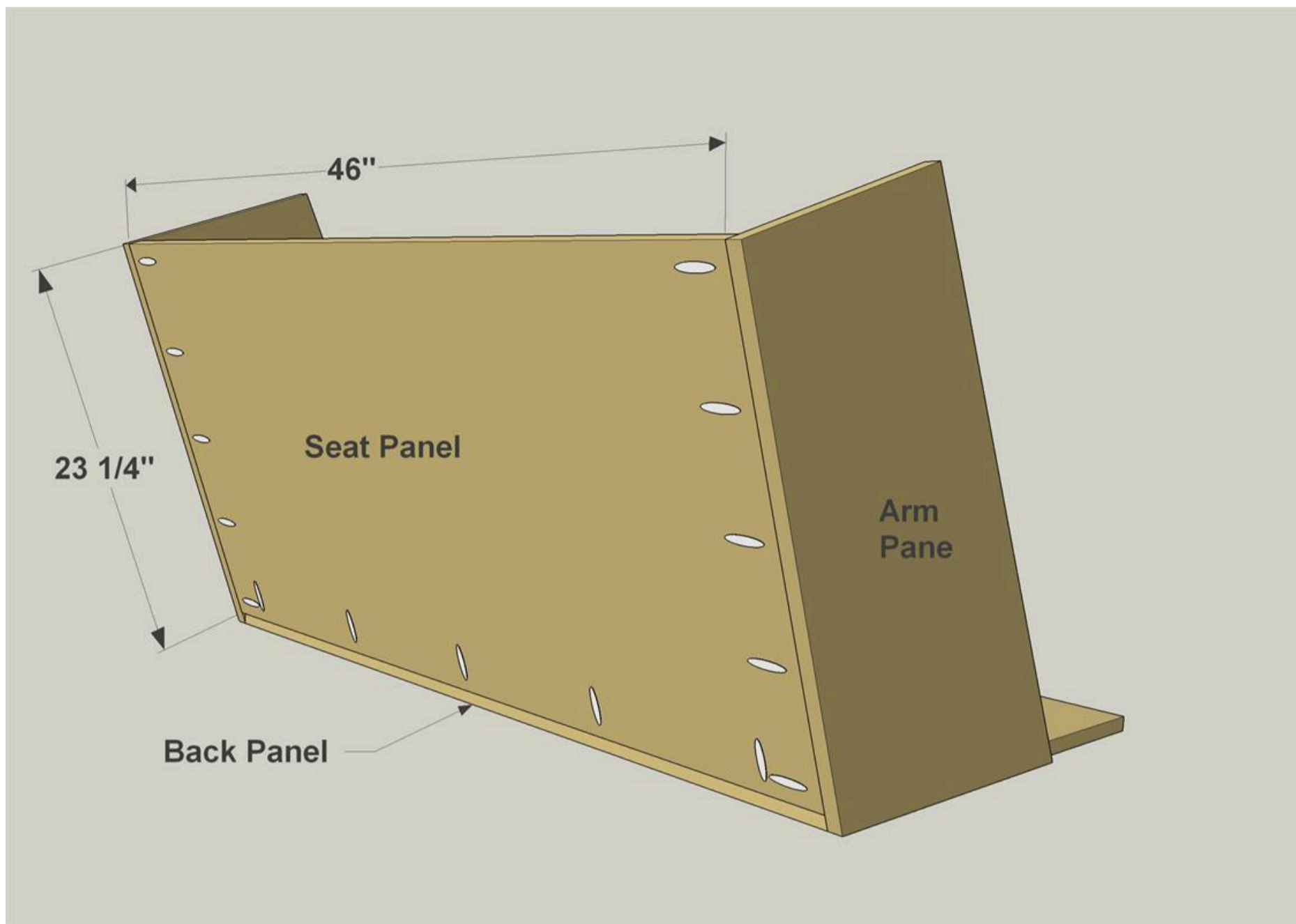
Cut the Seat Panel to size from 3/4" plywood, as shown on the cutting diagram. With your pocket hole jig set up for 3/4" material, drill pocket holes where shown.



5

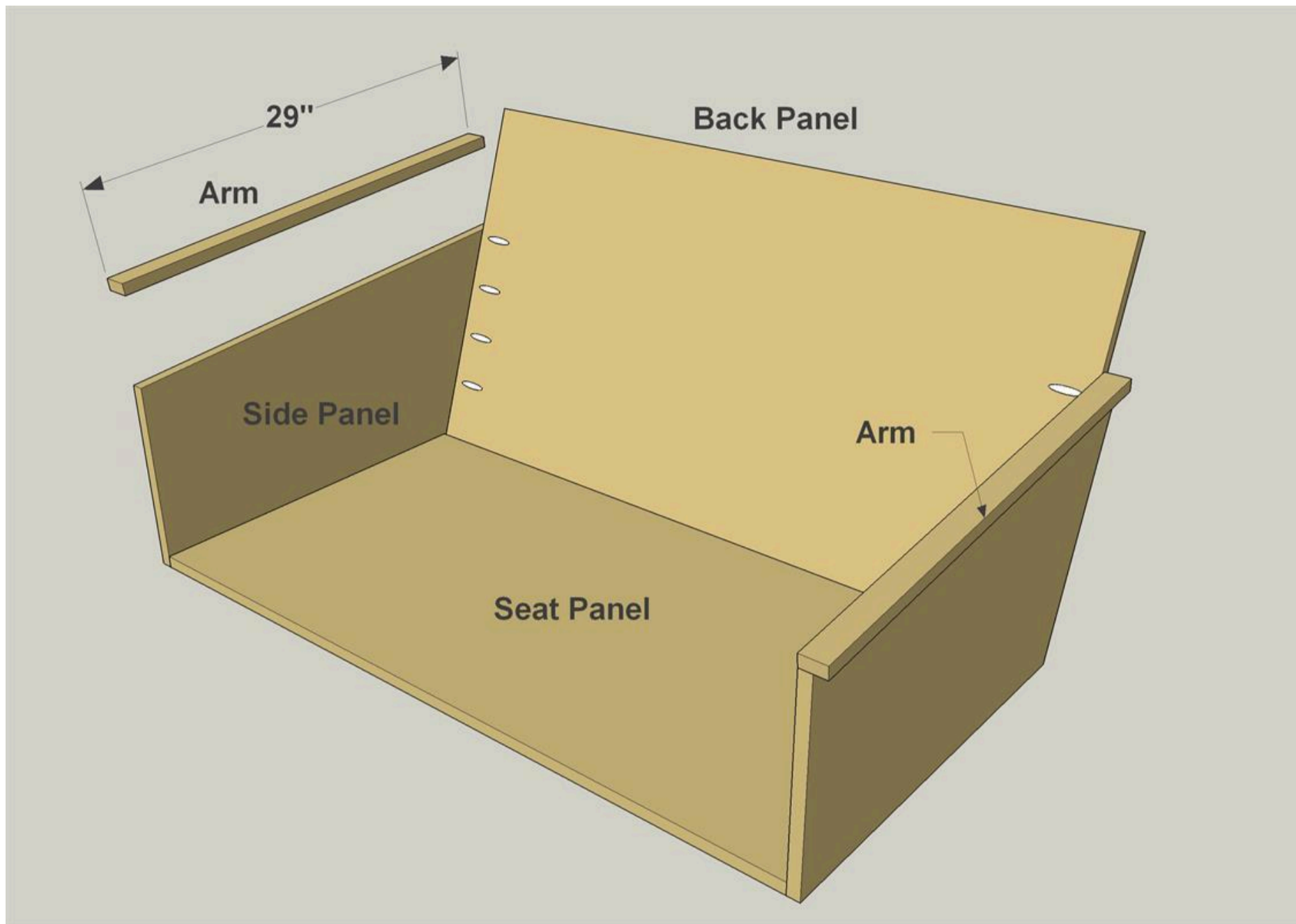
Attach the Seat Panel

Lay the Side/Back assembly on its back. Secure the Seat Panel using 1 1/4" pocket hole screws.



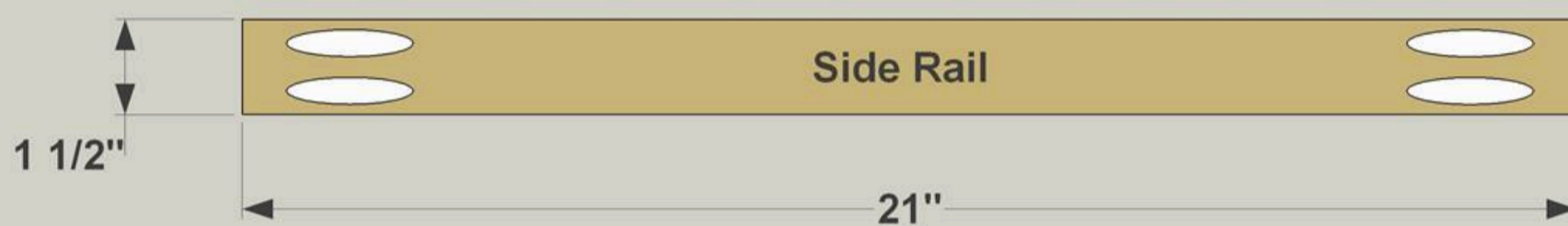
6**Create a Pair of Arms**

Cut two arms from a 1 x 2 board, as shown in the cutting diagram. Then attach the Arms to the Side Panels, as shown, using exterior-rated wood glue and brad nails.



7**Make Legs and Side Rails**

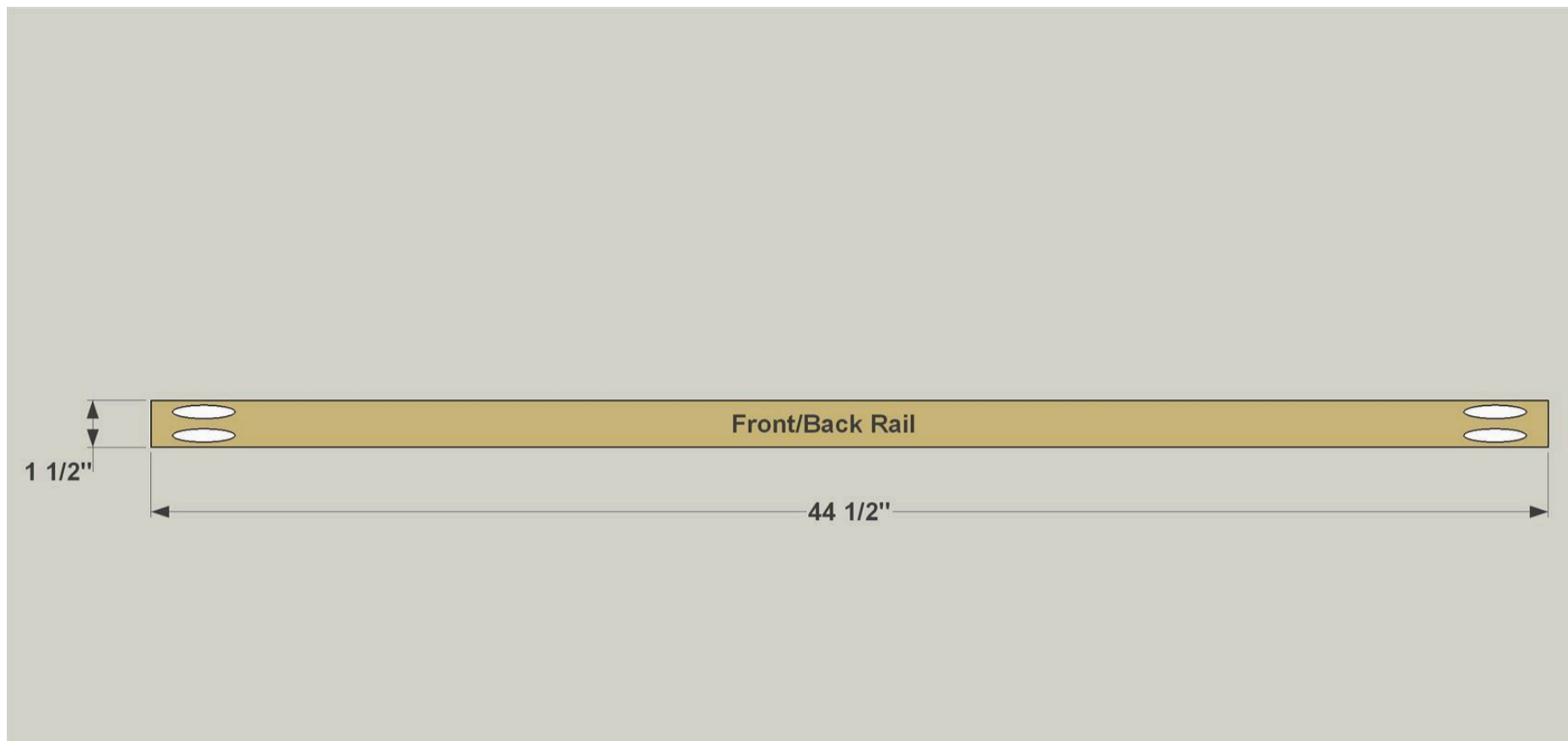
Cut four Legs and to length from a 2 x 2 board, as shown in the cutting diagram, and then set them aside. Then cut four Side Rails to length. With your pocket hole jig set up for 1 1/2" material, drill pocket holes where shown in the Side Rails.



8

Make Front and Back Rails

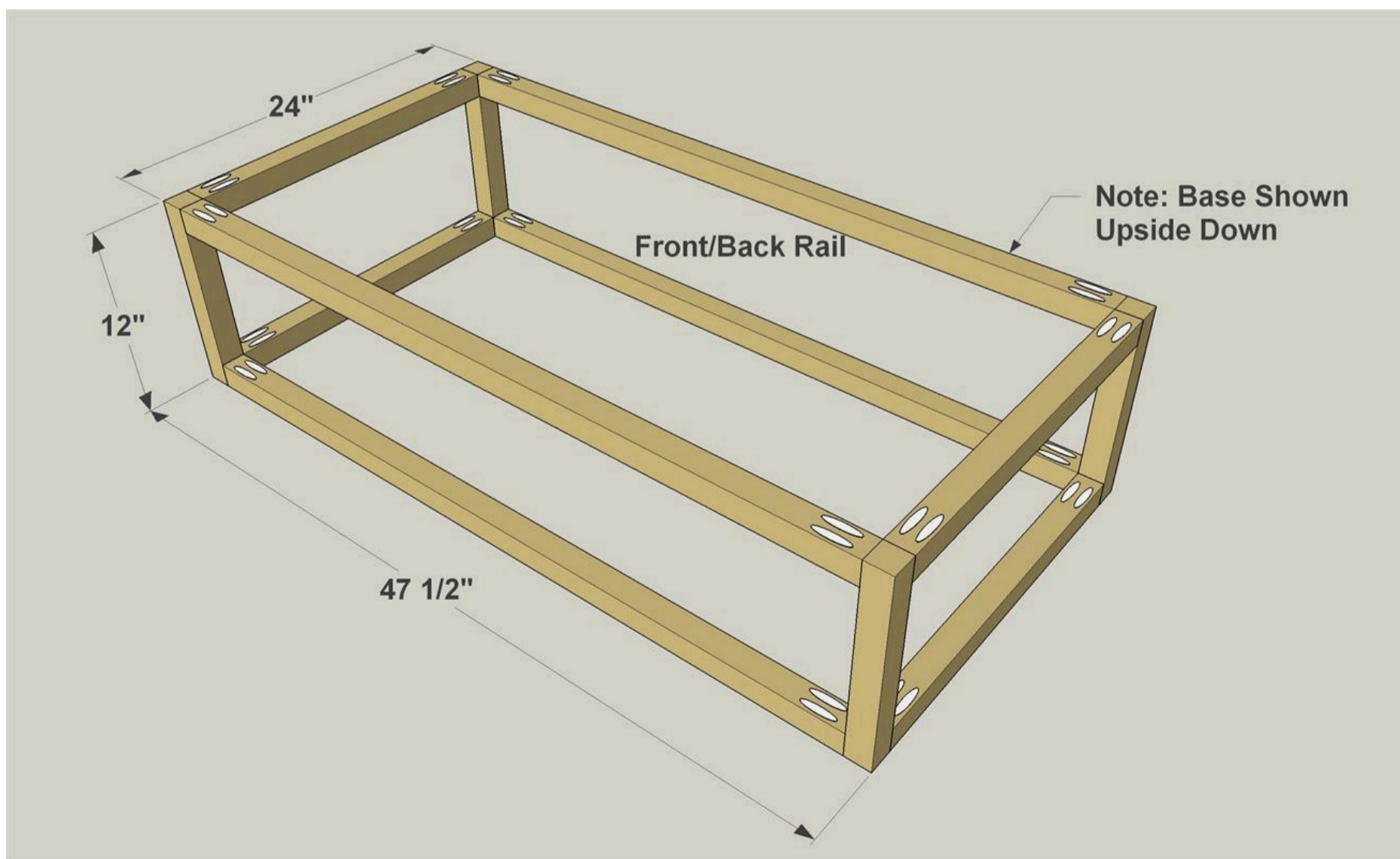
Cut four Front/Back Rails to length from a 2 x 2 board, as shown in the cutting diagram. With your pocket hole jig set for 1 1/2" thick material, drill pocket holes where shown in the Front/Back Rails.



9

Assemble the Base

Attach the Side Rails to the Legs with 2 1/2" exterior pocket hole screws to create two assemblies. Then join these assemblies by attaching the Front and Back Rails using 2 1/2" exterior pocket hole screws. Note the pocket holes are all on the same side of the base parts. This will be the bottom.



10**Paint and Do Final Assembly**

Sand and paint the Base and the Seat separately then secure the base to the Seat with glue and 2" wood screws. Use two screws through each upper Front/Back Rail, and one through each upper Side Rail. Drill pilot holes through the Rails before you drive the screws.
