

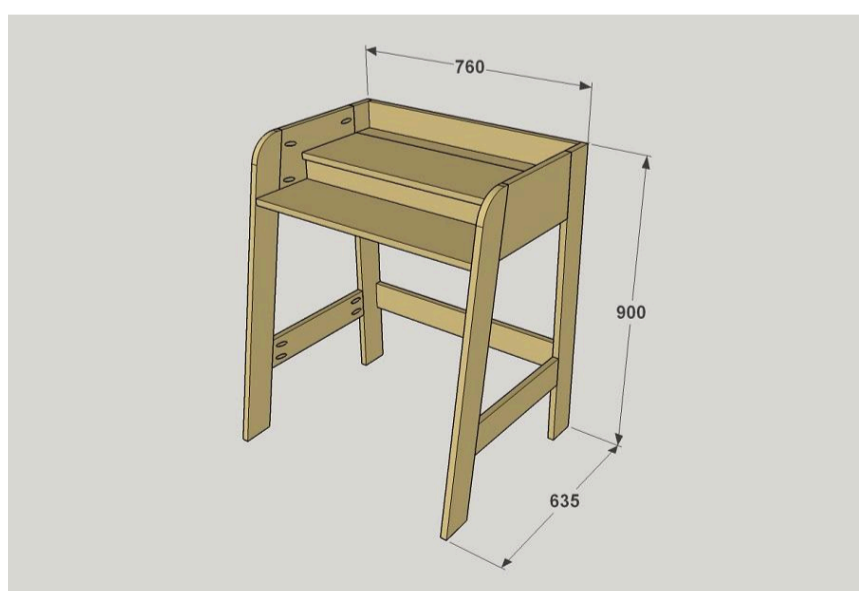
# Simple Desk with Style – Metric

By **Kreg Tool**

**Difficulty**

Easy

This desk provides a great workspace in a compact package. Thanks to the folding lid, you can leave your laptop and working materials in place on the desk, but cover them up when they're not in use. On top of being functional, the desk also offers a unique look that's surprisingly easy to create.



# Tools

## Kreg Tools



Rip-Cut™



Kreg® Pocket-Hole Jig 720

## Other Tools

Circular Saw (corded)

Jigsaw

Miter Saw

Tape Measure

Drill (cordless)

Iron

Sander

# Materials

## Wood Products

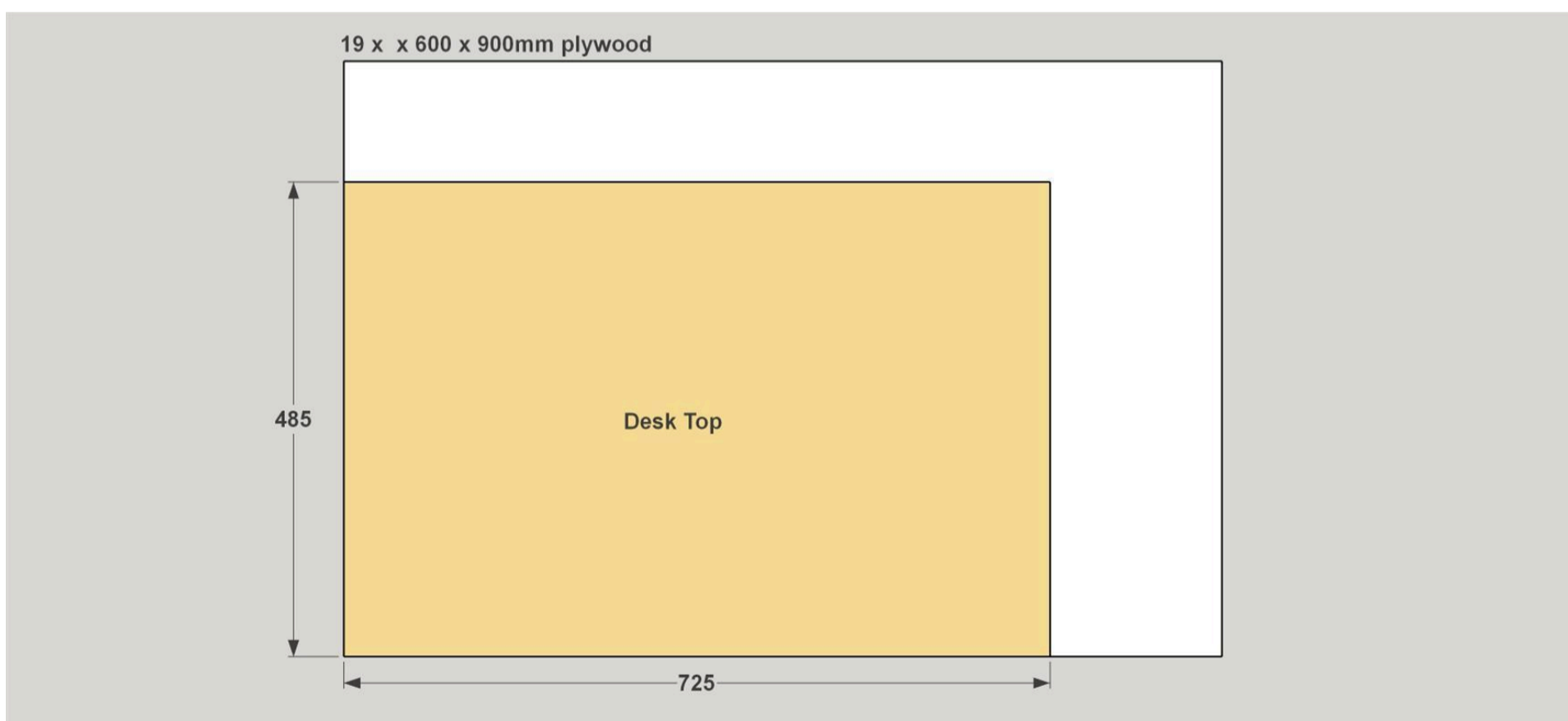
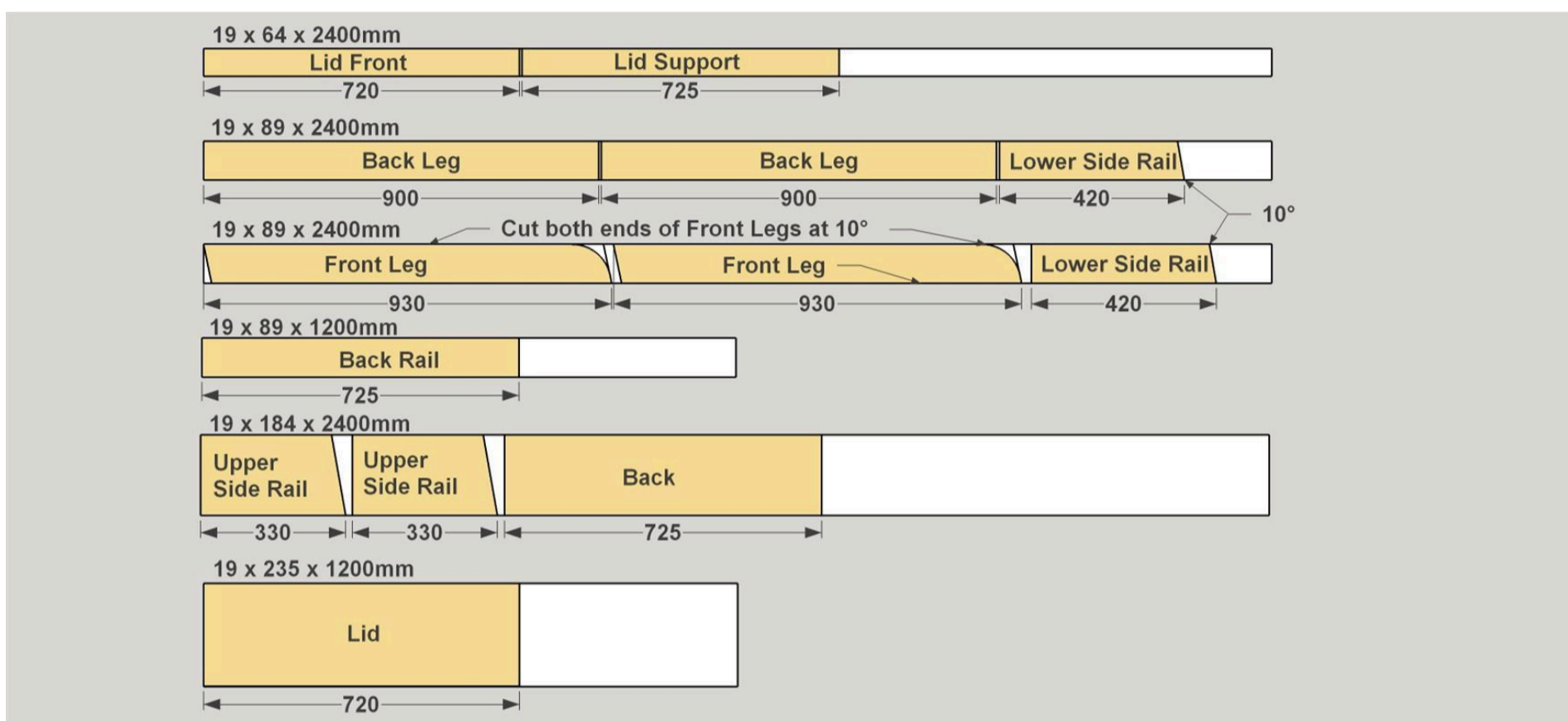
- 1 Board , 19mm X 64mm , 2400mm
- 2 Board , 19mm X 89mm , 2400mm
- 1 Board , 19mm X 89mm , 1200mm
- 1 Board , 19mm X 184mm , 2400mm
- 1 Board , 19mm X 235mm , 1200mm
- 1 Plywood , 19mm-thick , 600mm X 900mm

## Hardware & Supplies

- 32 Kreg 32mm Coarse-thread Pocket-hole Screws
- 16 Kreg Paint-grade Pocket-hole Plugs
- 2 Full-inset, Partial-wrap Hinges For 19mm Cabinet Door
- 1 Iron-on Edgebanding
- 1 Wood Glue

# Cut List & Parts

- 2 Front Leg , 19 X 89 X 930mm
- 2 Back Leg , 19 X 89 X 900mm
- 2 Upper Side Rail , 19 X 184 X 330mm
- 2 Lower Side Rail , 19 X 89 X 420mm
- 1 Back , 19 X 184 X 725mm
- 1 Back Rail , 19 X 89 X 725mm
- 1 Lid , 19 X 235 X 720mm
- 1 Lid Front , 19 X 64 X 720mm
- 1 Lid Support , 19 X 64 X 725mm
- 1 Desk Top , 19 Ply X 485 X 725mm



# Directions

1

## Cut Legs to Size

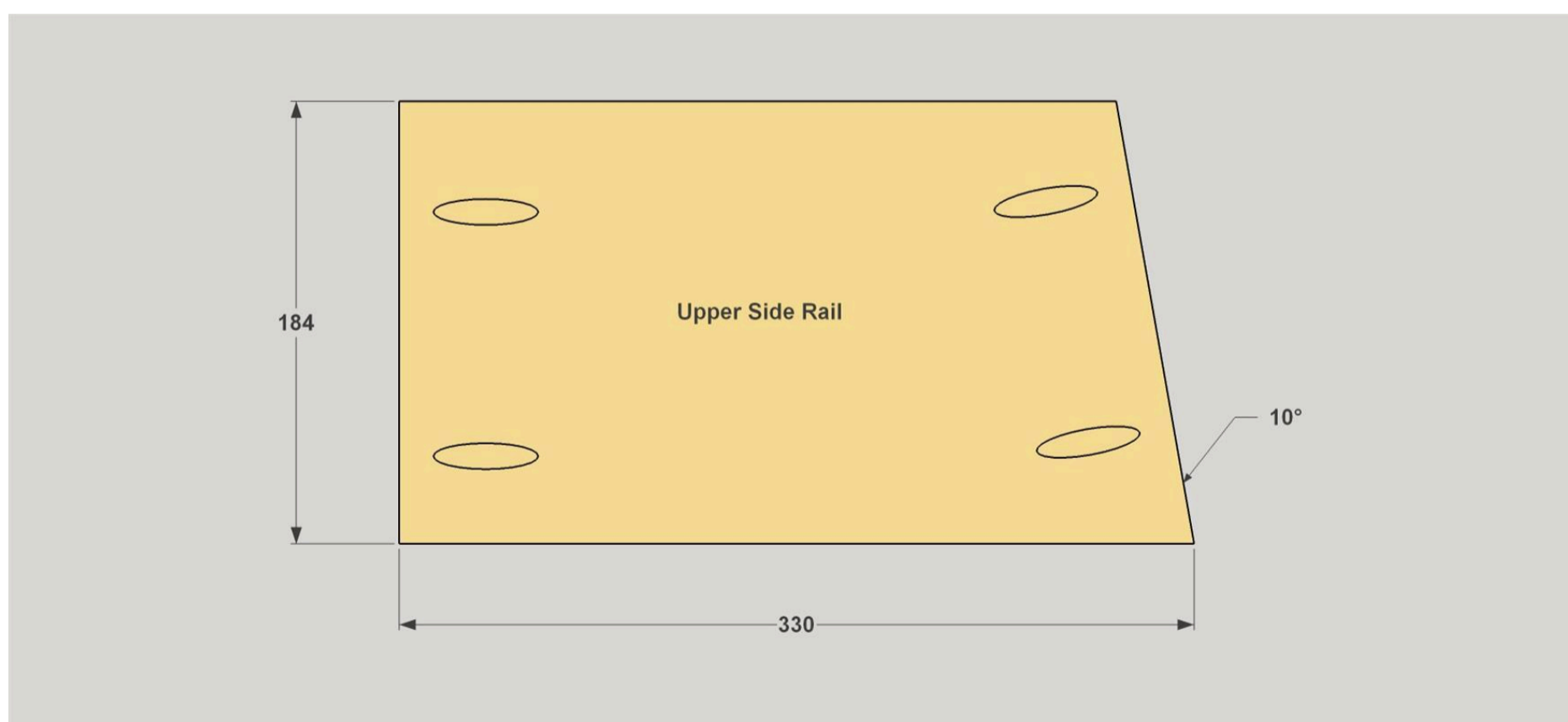
Cut two Back Legs to length from a 19x89mm board, as shown in the cutting diagram. Then cut two Front Legs to length. Note that both ends of the Front Legs are cut at parallel 10° angles. Then, use a quart can to lay out the radius on the Front Legs, and cut it to shape with a jig saw.



2

## Cut a Pair of Upper Rails

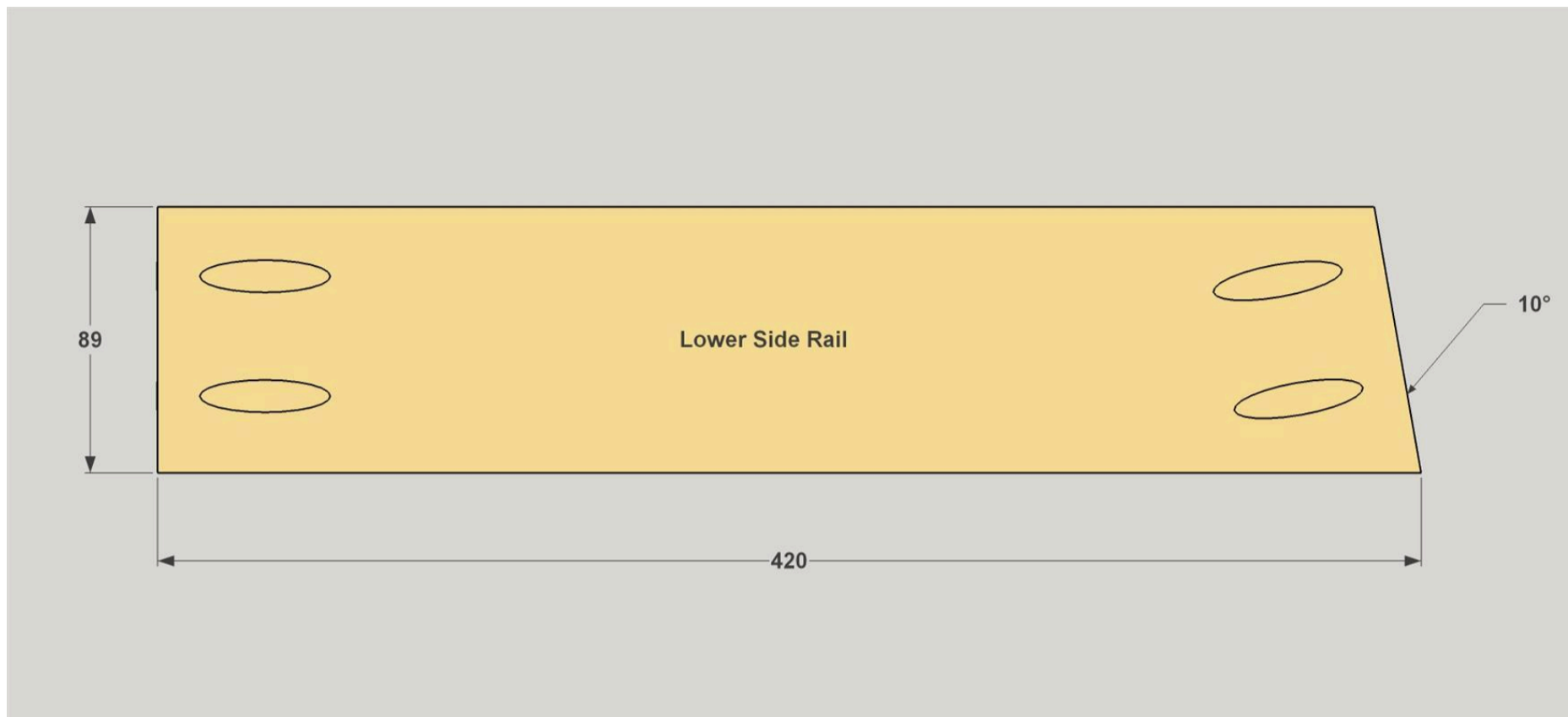
Cut two Upper Side Rails from a 19x184 board. Note that one end is cut at a 10° angle. Then, with your pocket-hole jig set up for 19mm material, drill pocket holes where shown.



### 3

#### Cut a Pair of Lower Rails

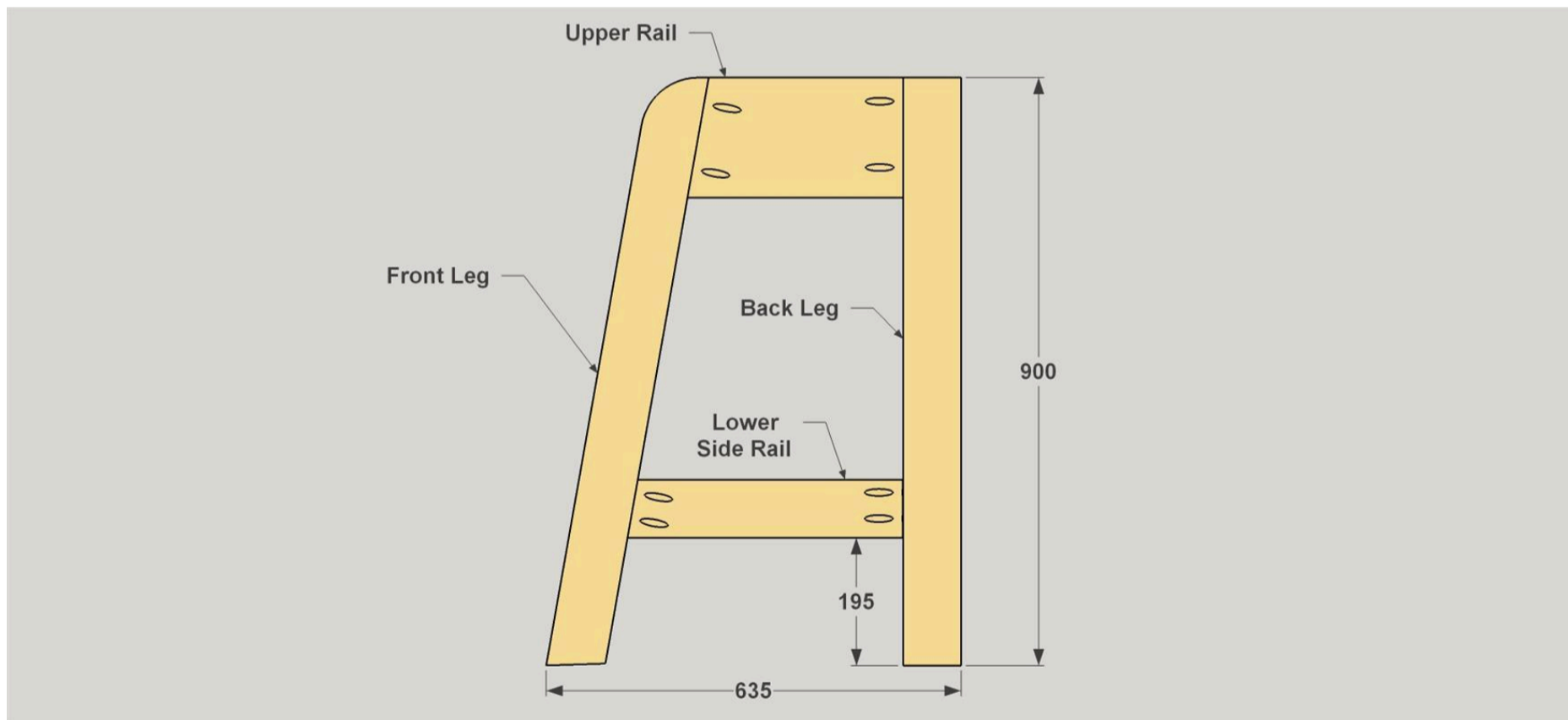
Cut two Lower Side Rails from a 19x89mm board. Note that one end is cut at a 10° angle. With your pocket-hole jig set up for 19mm material, drill pocket holes where shown.



### 4

#### Assemble the Sides

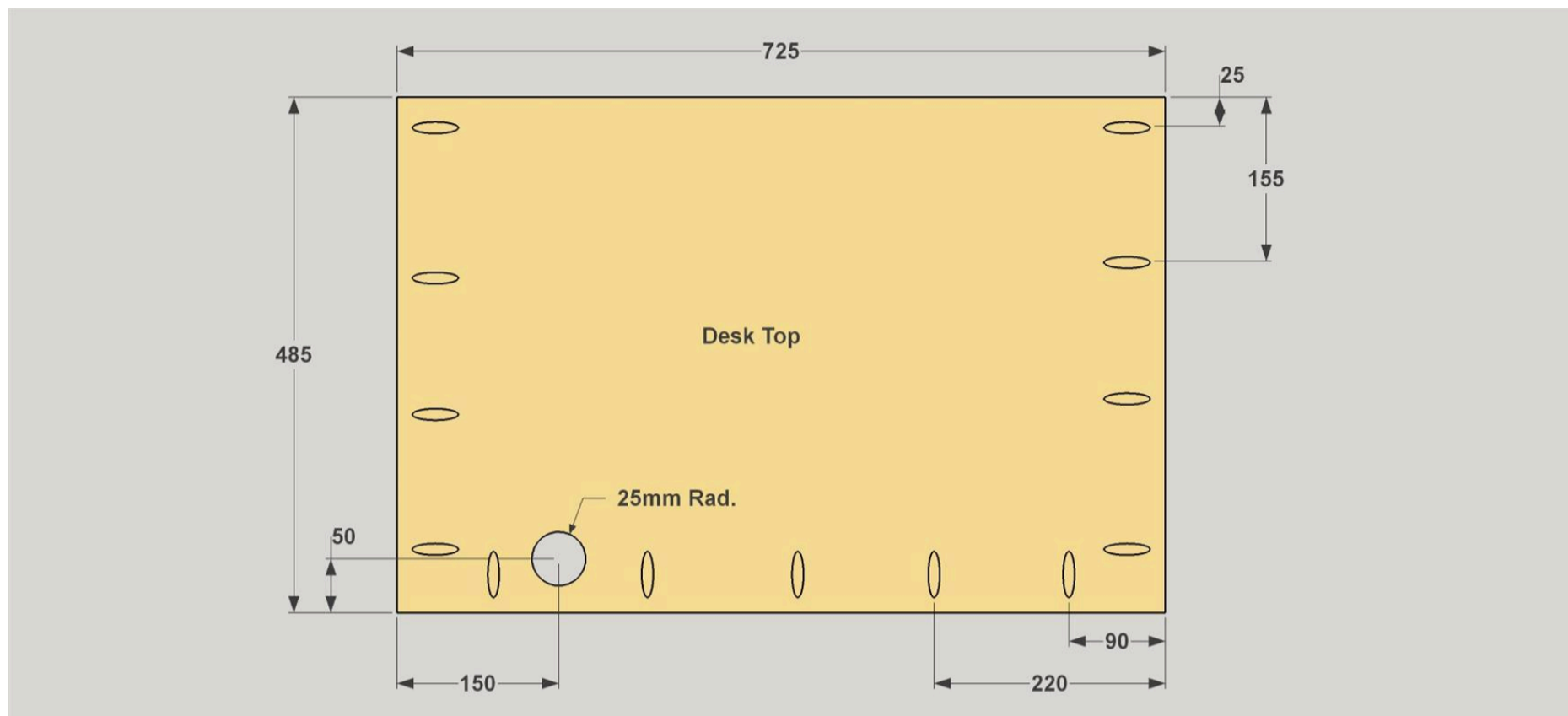
Now you can attach the Legs to the Rails using 32mm coarse-thread pocket-hole screws, as shown. Glue pocket-hole plugs into the holes, and then sand the plugs smooth.



## 5

### Make a Desk Top

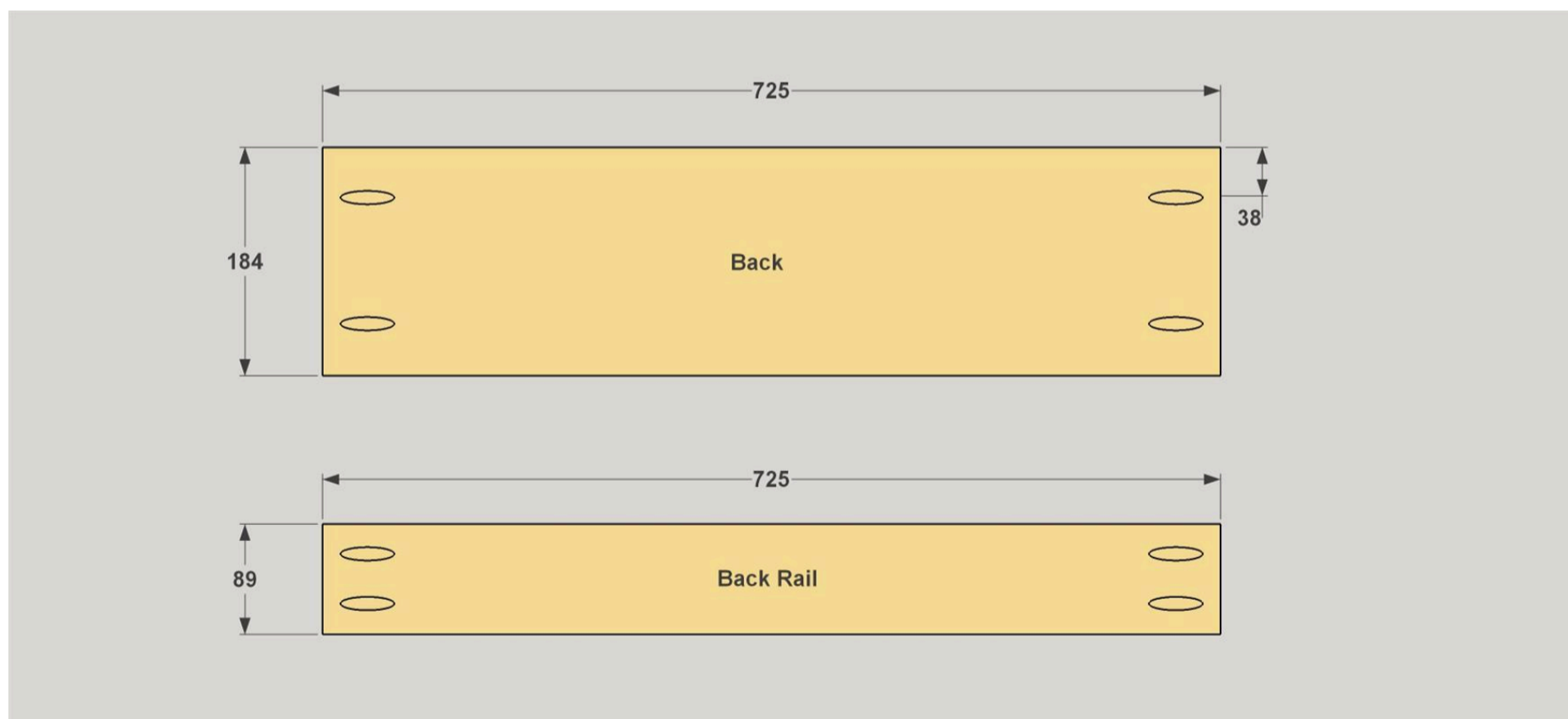
Cut a Desk Top to size from a quarter-sheet of 19mm plywood. With your pocket-hole jig set up for 19mm material, drill pocket holes where shown. Also drill a 50mm hole near the back edge for power cords to pass through. Apply iron-on edgebanding to the front edge of the Top, as well.



## 6

### Add a Back and Back Rail

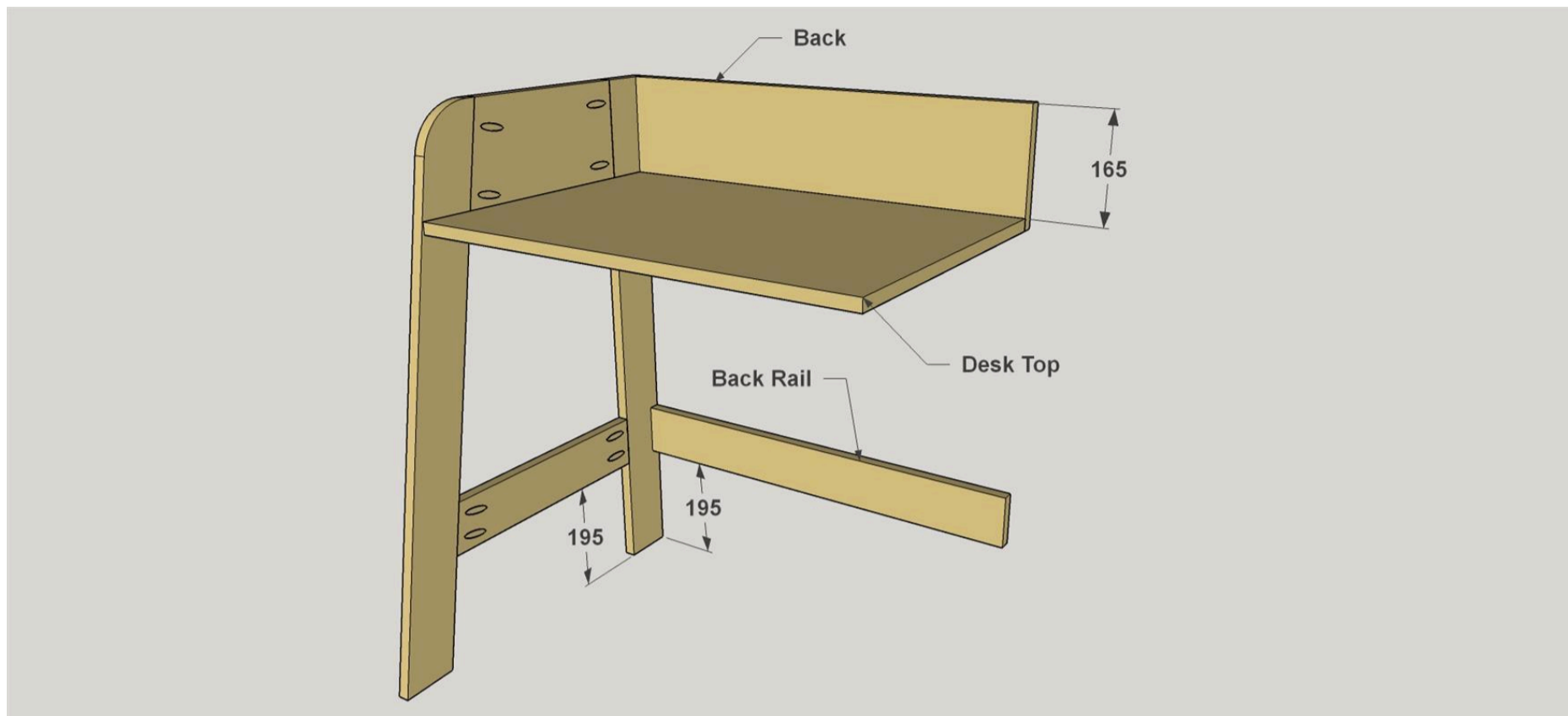
Cut a Back to length from a 19x184 board, and a Back Rail to length from a 19x89mm board, as shown in the cutting diagram. With your pocket-hole jig set up for 19mm material, drill pocket holes where shown.



# 7

## Attach the Back and Desk Top

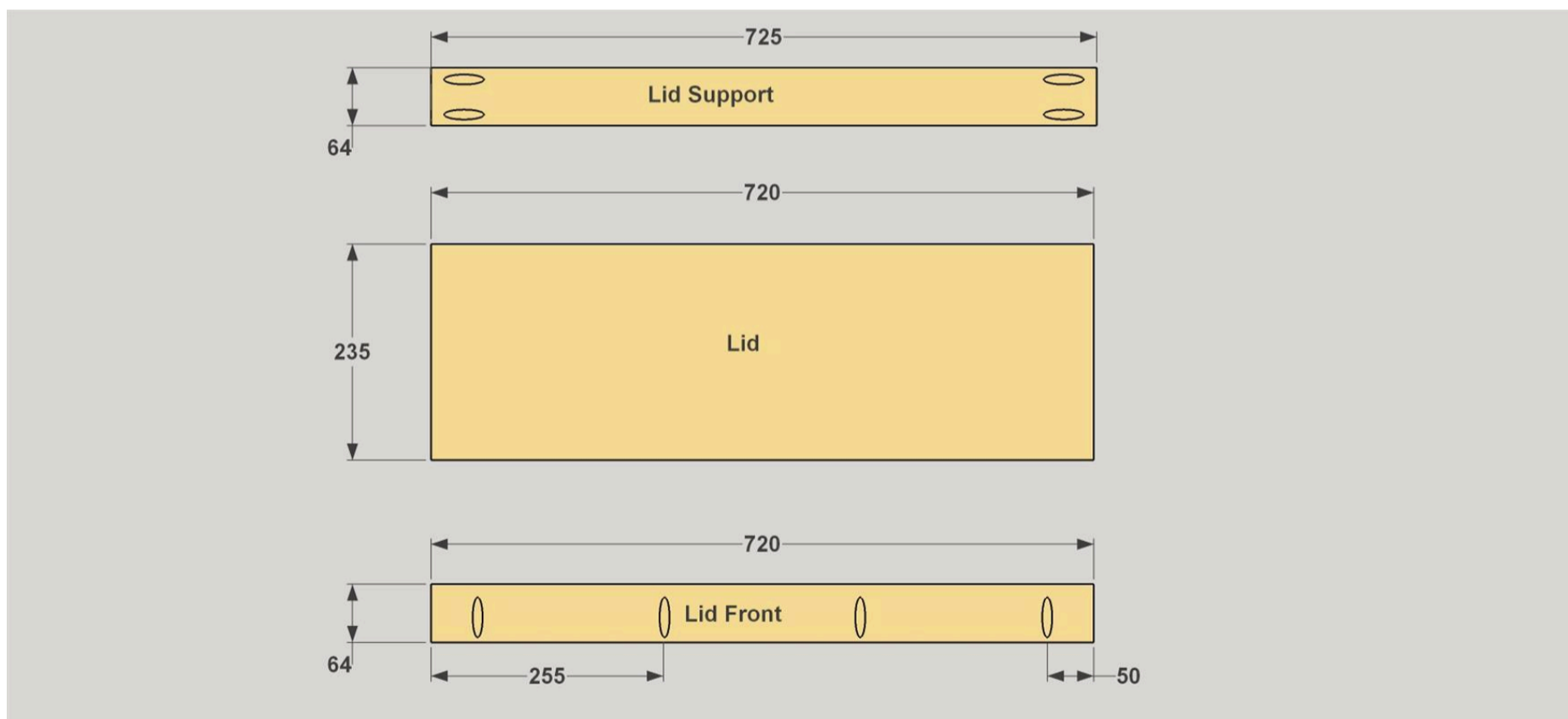
Attach the Back to the Desk Top using 32mm coarse-thread pocket-hole screws, then attach these pieces to one of the side assemblies. Also attach the Back Rail, aligning it with the Lower Side Rail.



# 8

## Make the Lid Parts

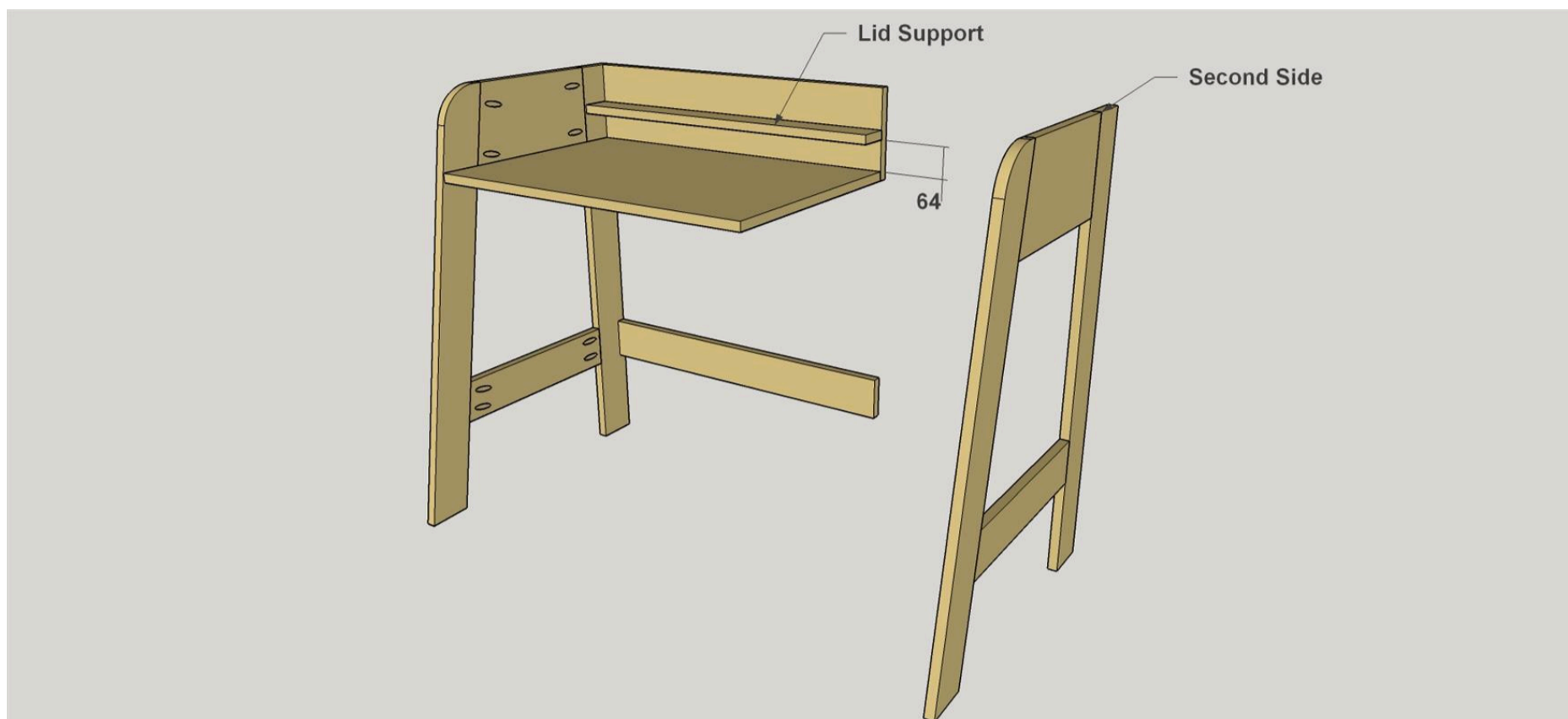
Cut a Lid to length from a 19x235mm board, as shown in the cutting diagram. Also cut a Lid Front and a Lid Support to length from a 19x64mm board. Then drill pocket holes, as shown, with your pocket-hole jig set up for 19mm material.



9

### Bring in Support and a Side

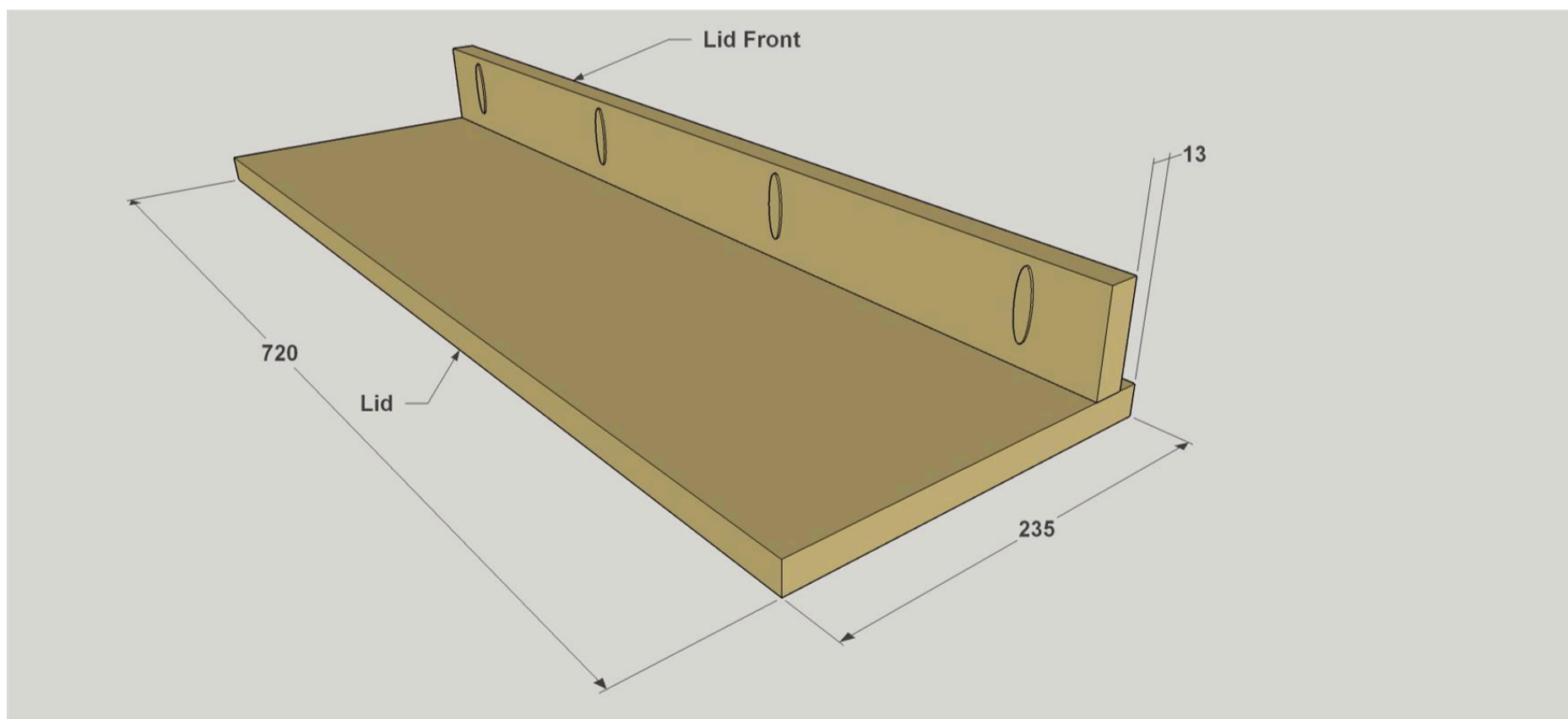
Now you can attach the Lid Support using 32mm coarse-thread pocket-hole screws. Then bring in the other side assembly and secure it.



10

### Assemble the Lid

Attach the Lid Front to the Lid using 32mm coarse-thread pocket-hole screws. Note that the Lid front is set back 13mm from the edge of the Lid.





**11****Install the Lid, then Paint**

To complete construction of your desk, install a pair of hinges on the Lid, and connect them to the Lid Support. Then you can paint, stain, or finish the desk and put it to work.

