

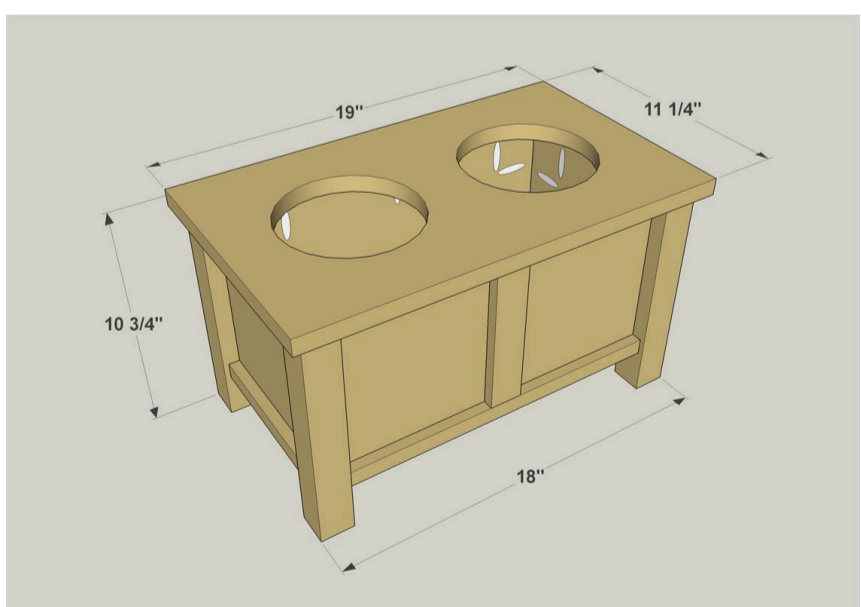
Raised Dog Bowl Stand

By **Kreg Tool**

Difficulty

Easy

Elevate your dog's dining experience with a raised stand for its food and water bowls. The stand holds two 6" dog bowls at a convenient height for larger dogs. You can build one for your furry friend with just a few pine boards, a few tools, and some paint or stain.



Tools

Kreg Tools



Other Tools

Jigsaw

Miter Saw

Tape Measure

Compass

Drill (cordless)

Sander

Materials

Wood Products

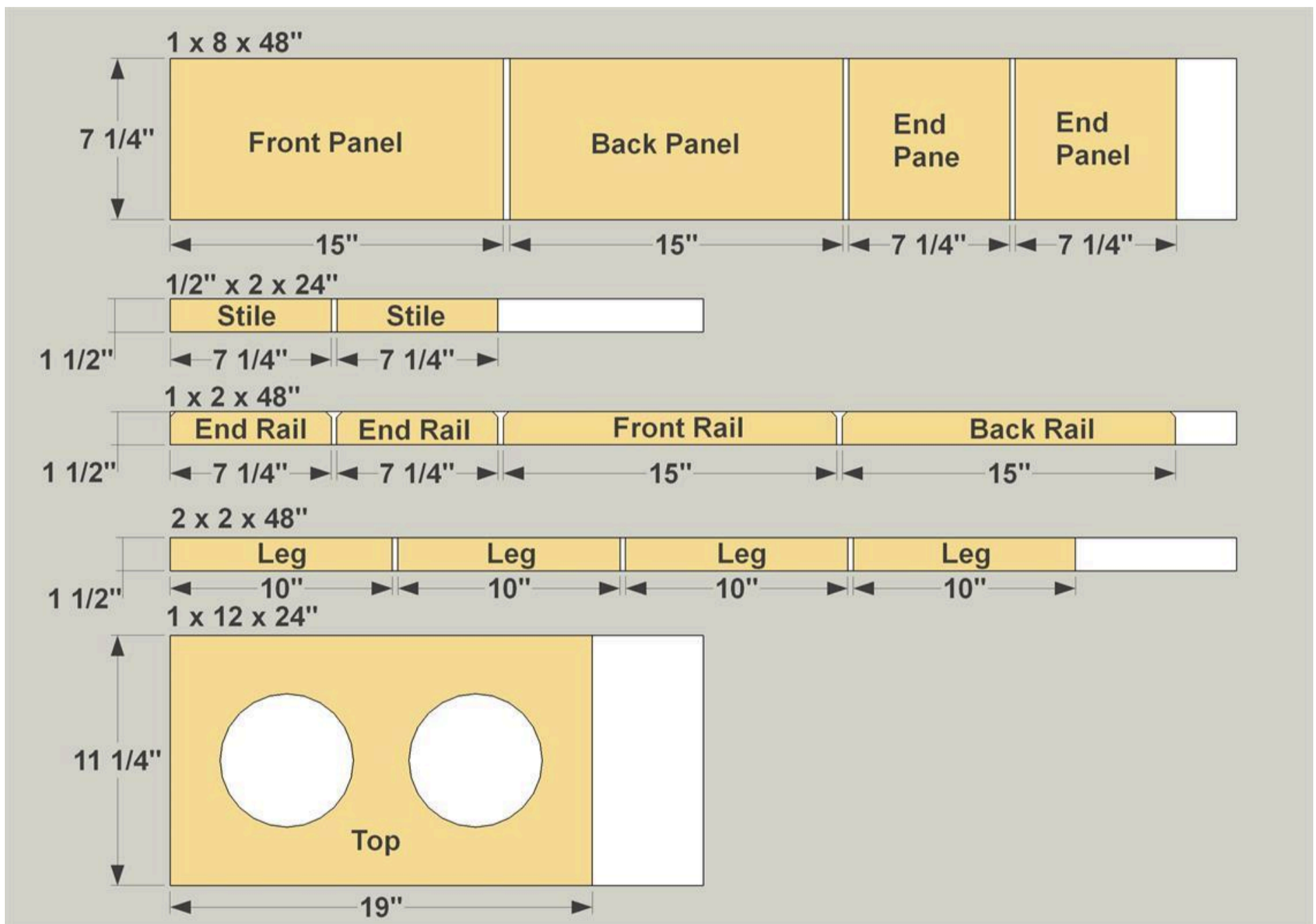
- 1 Board , 1x8 , 48"
- 1 Board , 2x2 , 48"
- 1 Board , 1/2" X 2 (1 1/2" Actual Width) , 48"
- 1 Board , 1x12 , 24"

Hardware & Supplies

- 26 1 1/4" Coarse-thread Pocket Hole Screws
- 2 6"-diameter Dog Bowls
- 1 Wood Glue

Cut List & Parts

- 2 End Panel , 3/4" X 7 1/4" X 7 1/4"
- 4 Leg , 1 1/2" X 1 1/2" X 10"
- 2 End Rail , 3/4" X 1 1/2" X 7 1/4"
- 1 Front Panel , 3/4" X 7 1/4" X 15"
- 1 Back Panel , 3/4" X 7 1/4" X 15"
- 1 Front Rail , 3/4" X 1 1/2" X 15"
- 1 Back Rail , 3/4" X 1 1/2" X 15"
- 2 Stile , 1/2" X 1 1/2" X 7 1/4"
- 1 Top , 3/4" X 11 1/4" X 19"

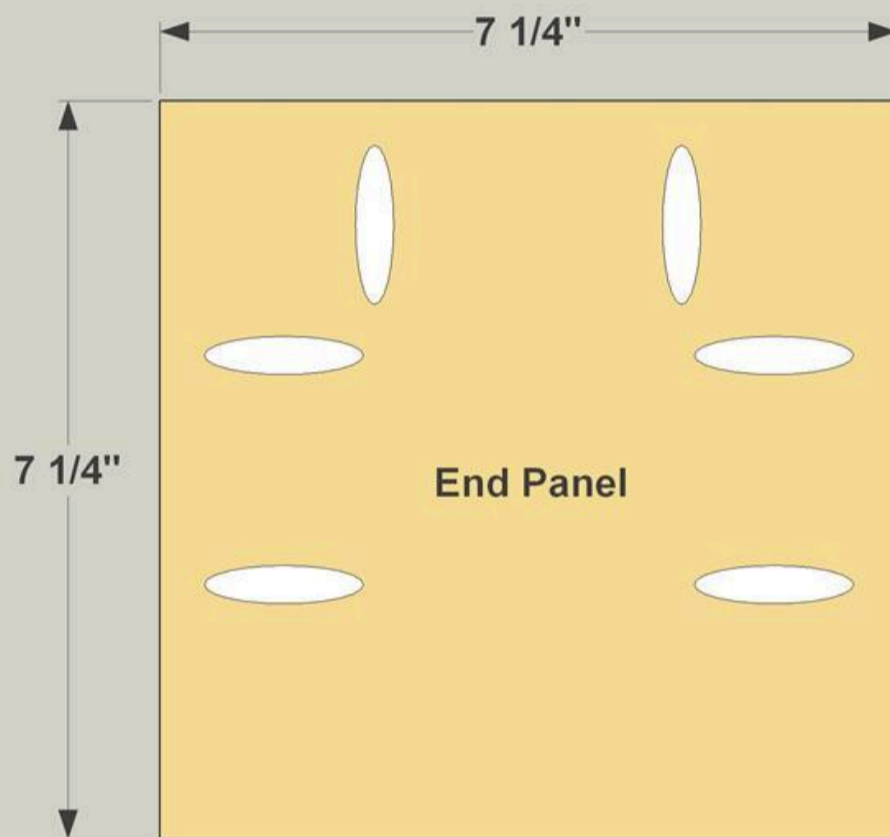


Directions

1

Make a Pair of End Panels

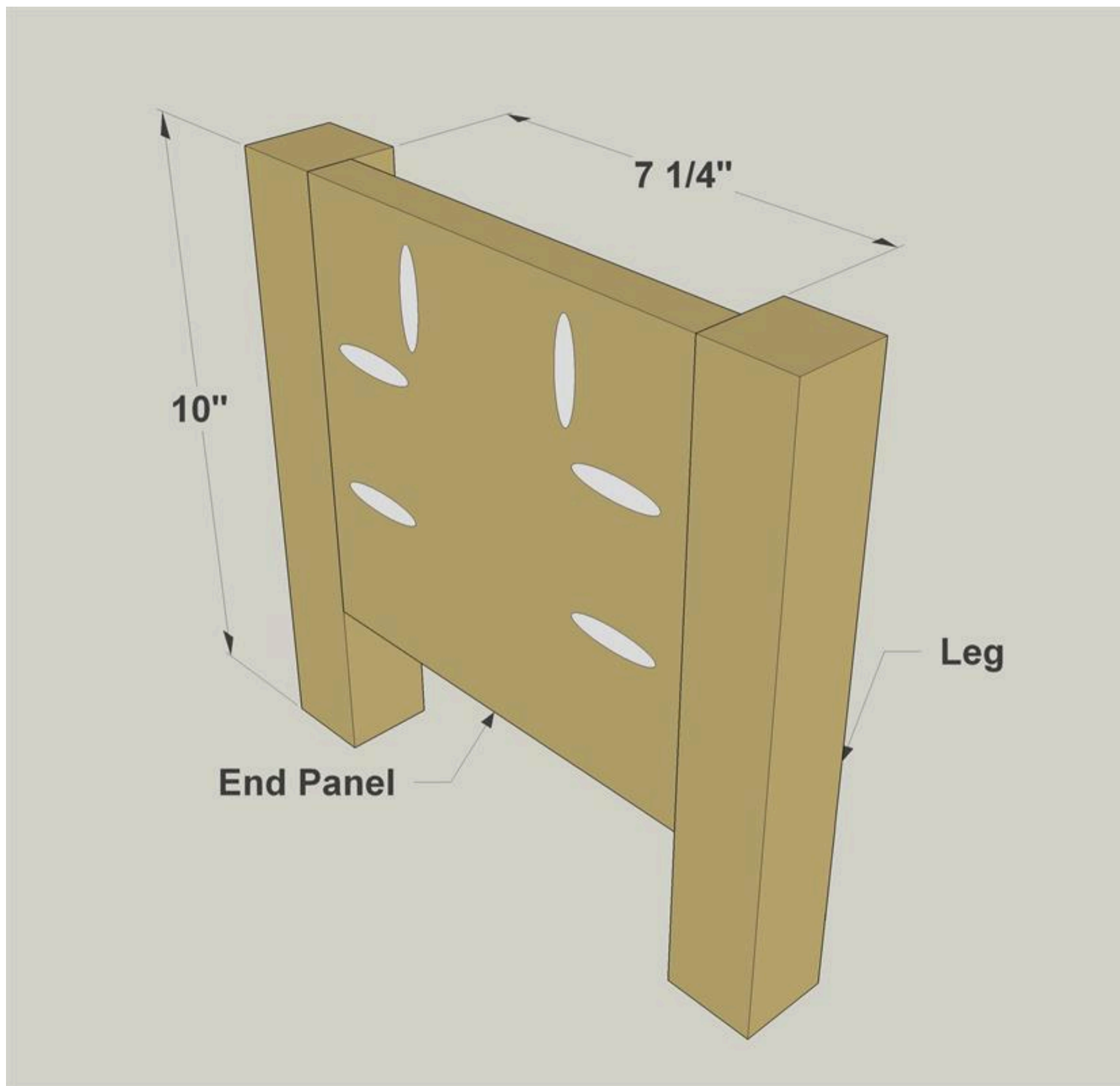
Cut two End Panels to length from a 1x8 board, as shown in the cutting diagram. Then, with your pocket-hole jig set up for 3/4" material, drill pocket holes where shown.



2

Attach the End Panels to the Legs

Cut four Legs to length from a 2x2 board, as shown in the cutting diagram. Secure two Legs to each End Panel with 1 1/4" pocket hole screws as shown.



3**Make the End Rails**

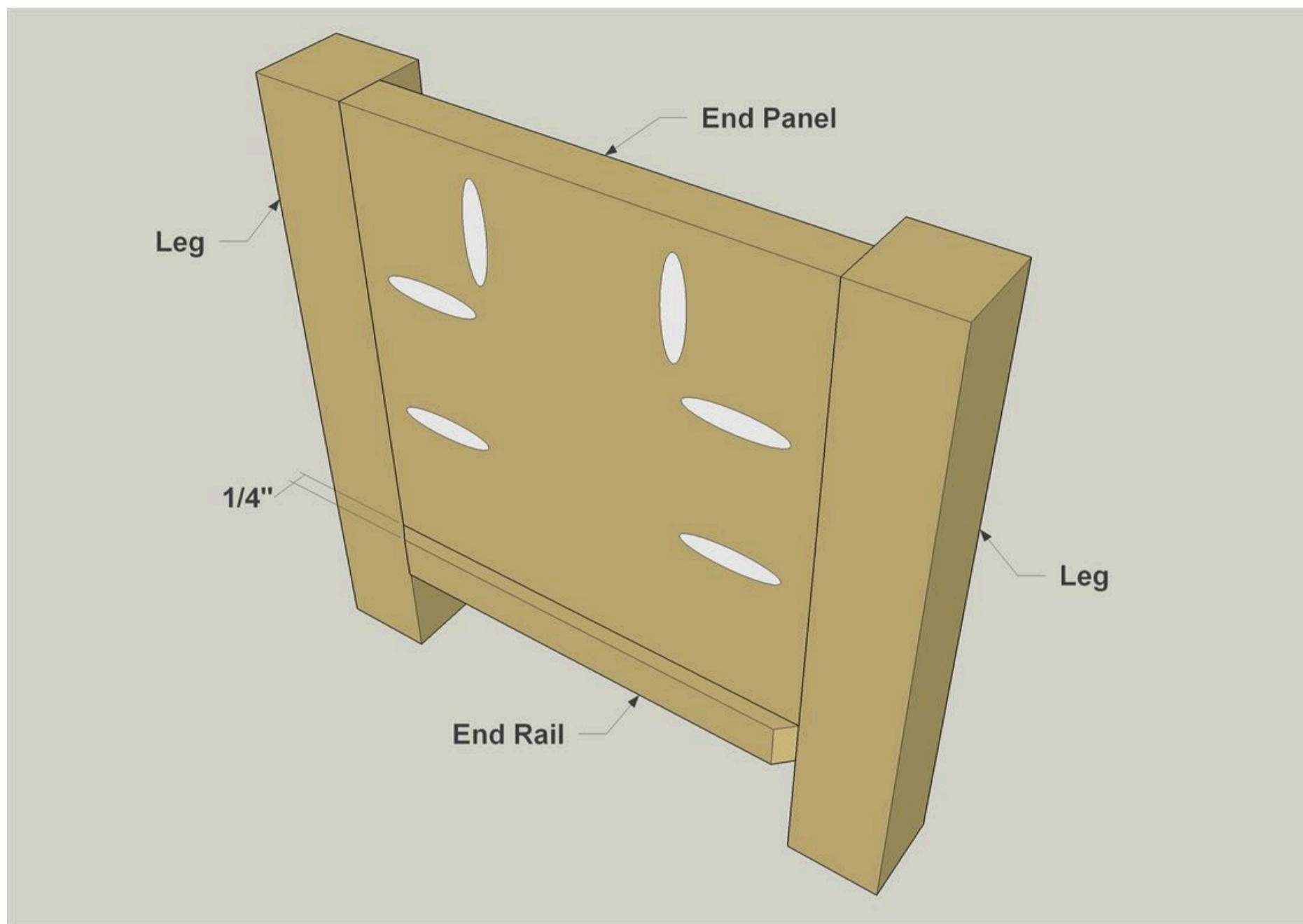
Cut two End Rails to length from a 1x2 board, as shown in the cutting diagram. Then, using a jig saw or a miter saw set at 45°, cut off two corners on each Rail, as shown.



4

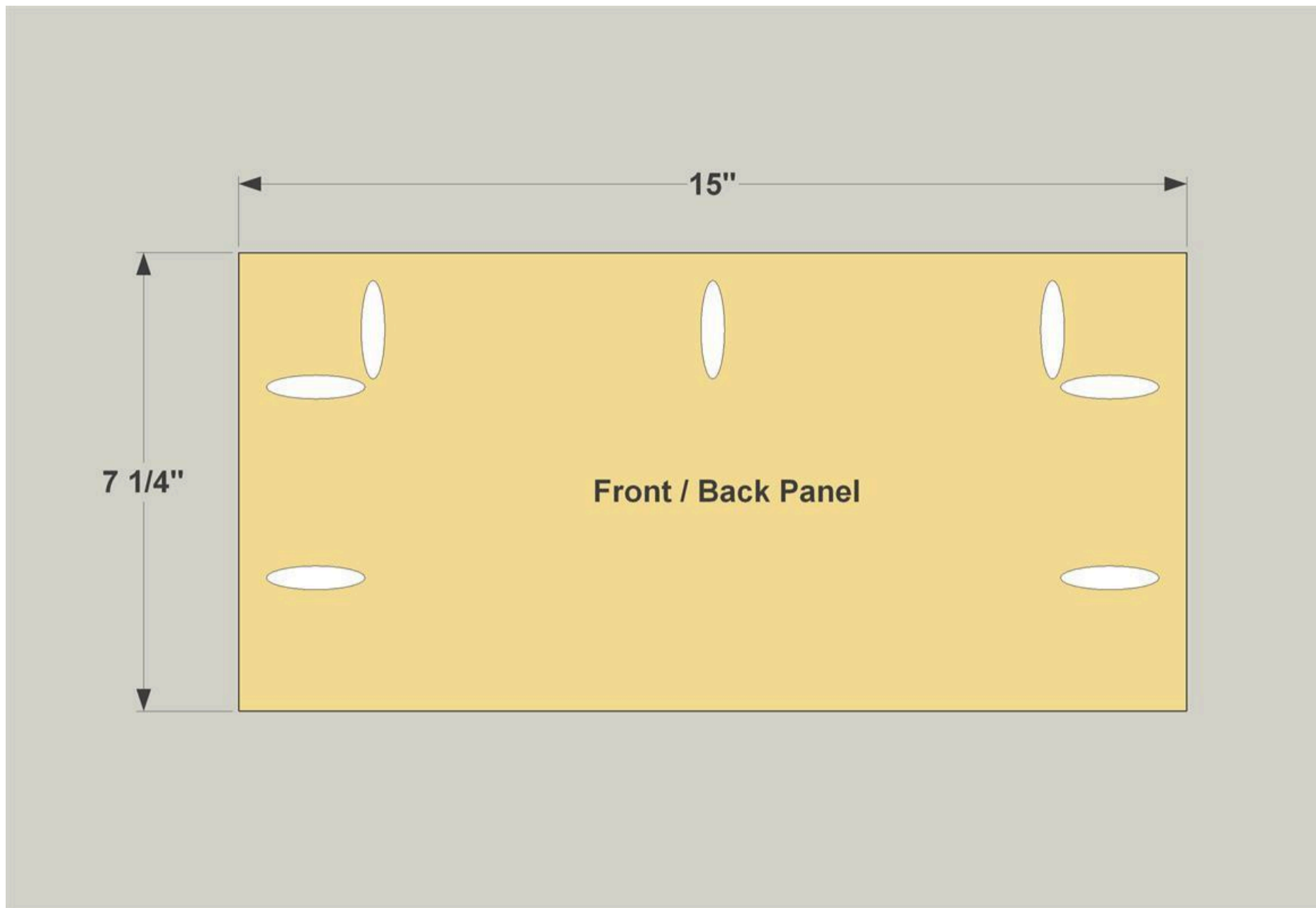
Attach the End Rails

Glue and clamp Each End Rail to the bottom of each End Panel so that the End Rails are offset 1/4" toward the inside face of the End Panels, as shown.



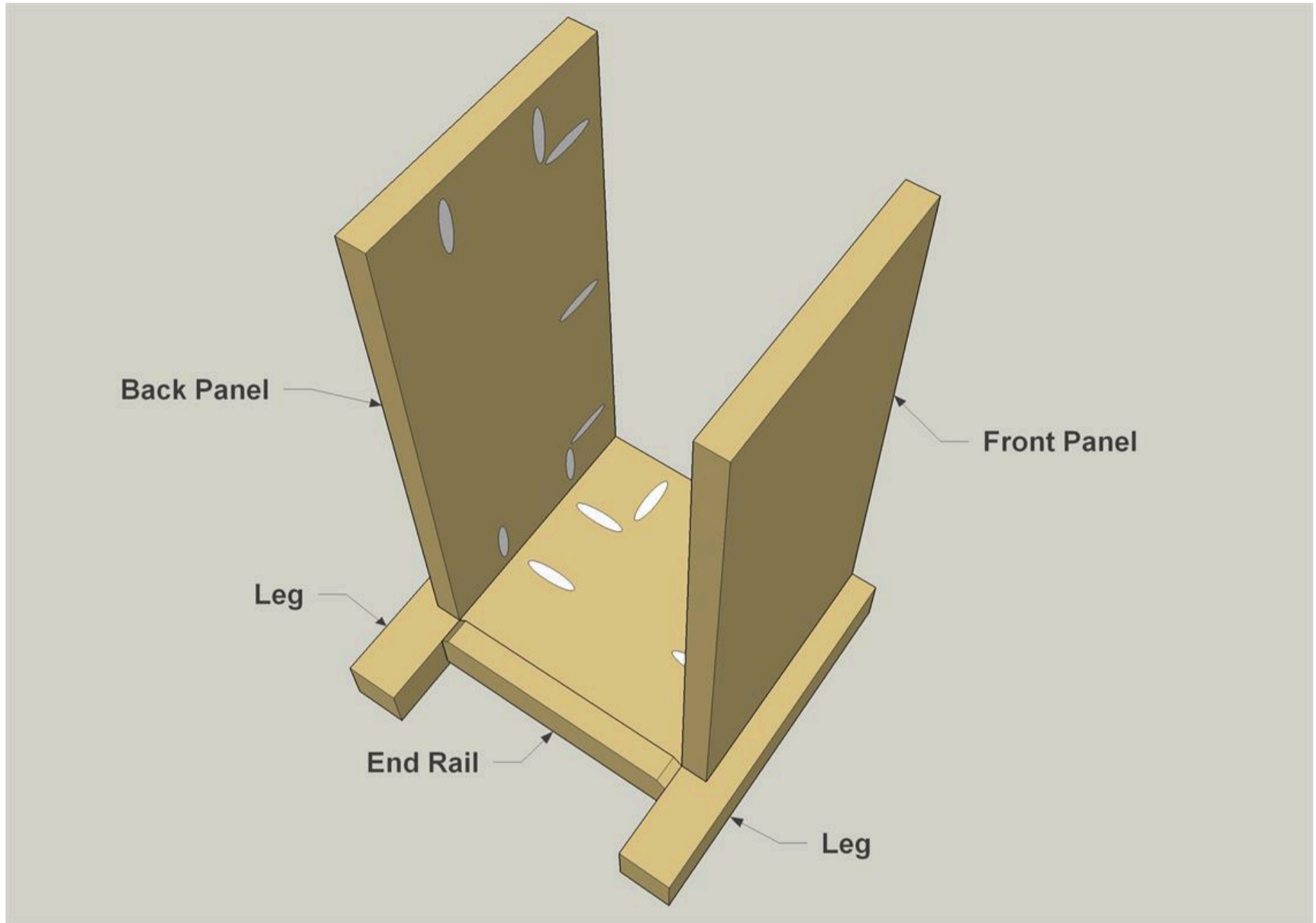
5**Make Front and Back Panels**

Cut one Front Panel and one Back Panel to length from a 1x8 board, as shown in the cutting diagram. Then, with your pocket-hole jig set up for 3/4" material, drill pocket holes in these panels, as shown.



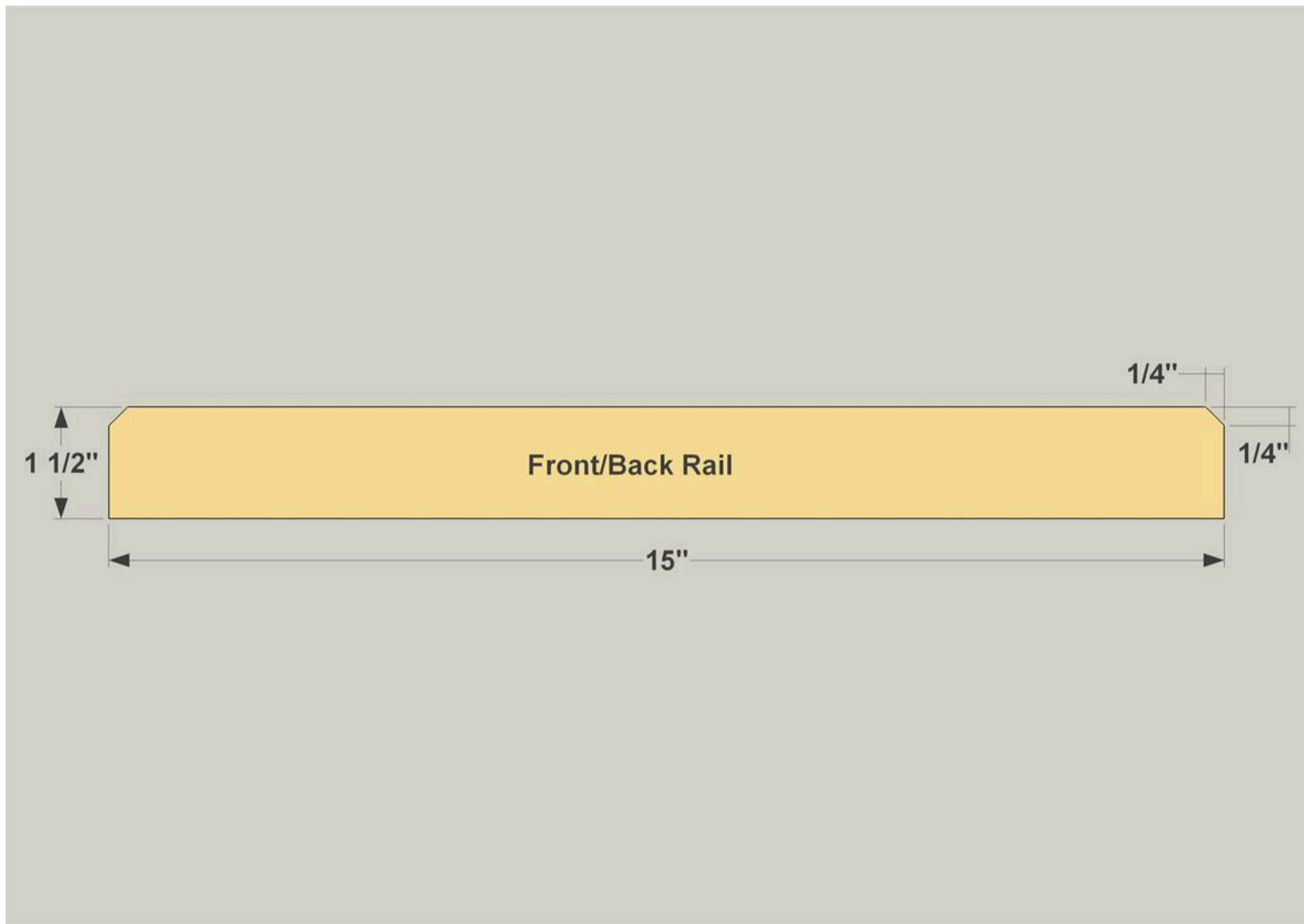
6**Attach the Front Back Panels**

Attach the Front Panel and Back Panel to one end assembly using 1 1/4" pocket hole screws, as shown. Then secure the second end assembly in place.



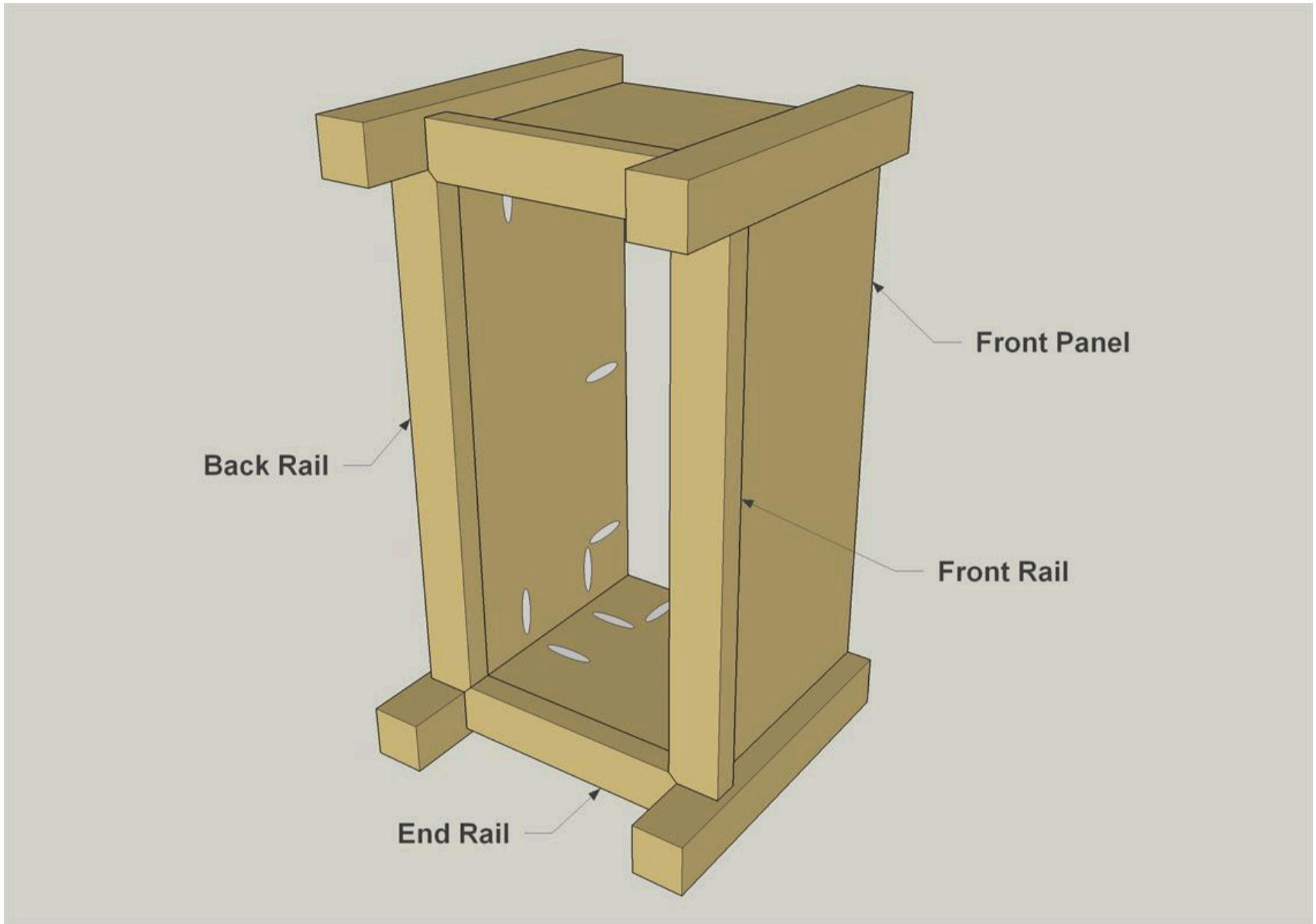
7**Make Front and Back Rails**

Cut one Front Rail and one Back Rail to length from a 1x2 board, as shown in the cutting diagram. Then, using a jig saw or a miter saw set at 45°, cut off two corners on each Rail, as shown.



8**Attach the Front and Back Rails**

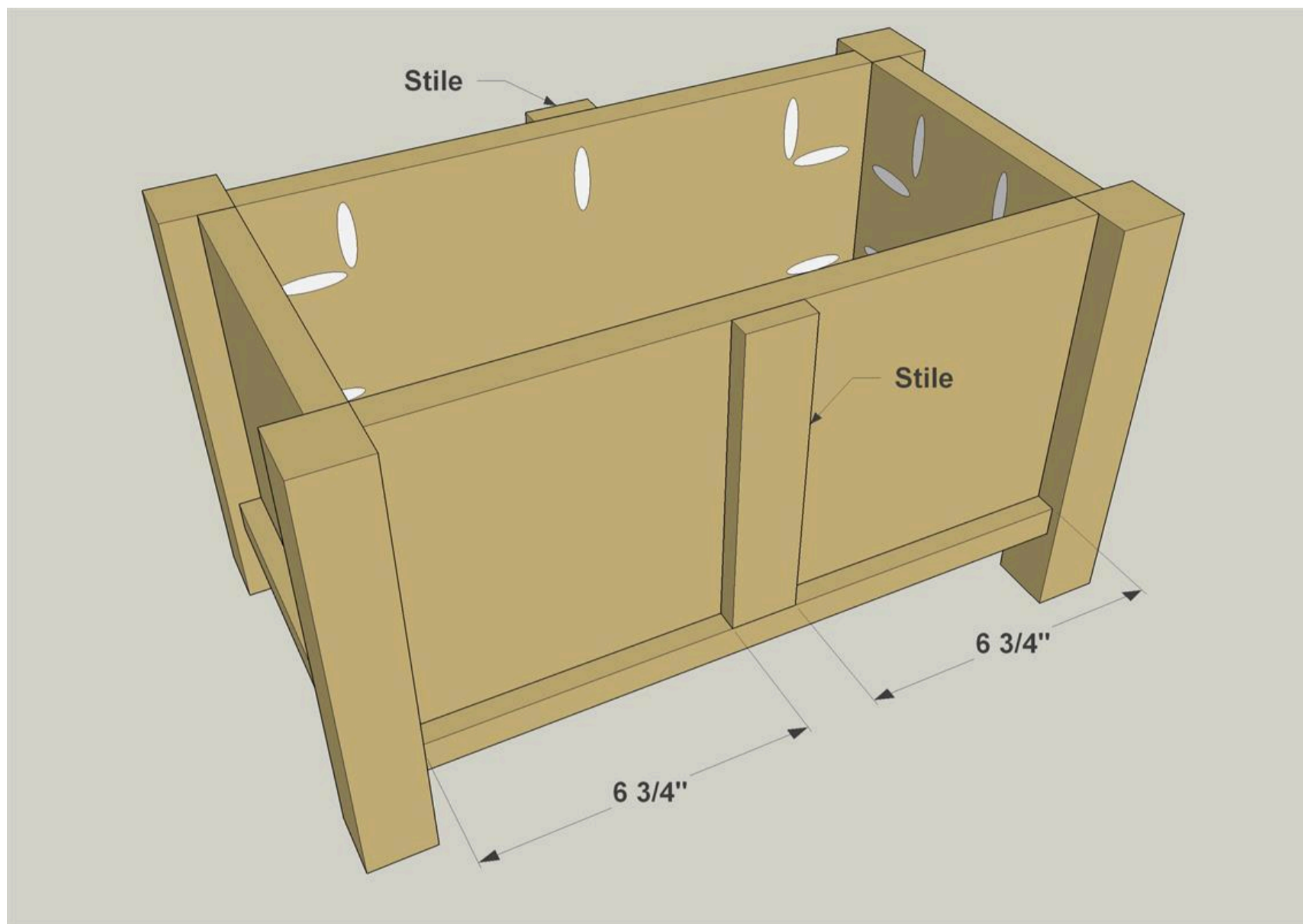
Glue and clamp the Front and Back Rails in place, as shown. To position them, make sure that the cut-off corners meet with the cut-off corners on the End Rails.



9

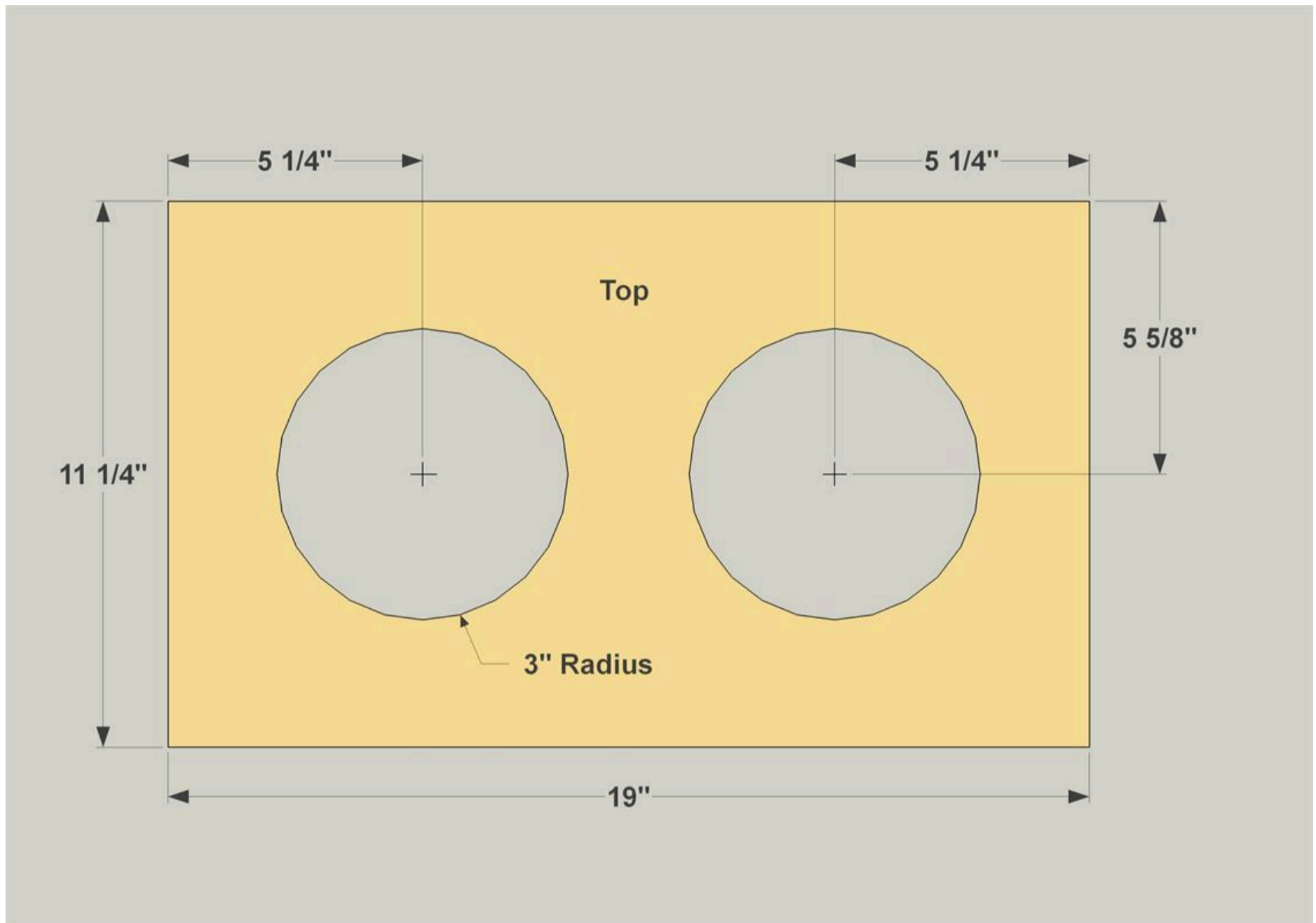
Add a Pair of Stiles

Cut two Stiles to length from a 1/2" x 2" board (1 1/2" actual width), as shown in the cutting diagram. Then glue and clamp the Stiles to the Front and Back Panels where shown.



10**Make the Top**

Cut the Top to length from a 1x12 board, as shown in the cut diagram. Use a compass to lay out holes for the bowls, as shown. Make sure to get your bowls first so that you can verify their size. After laying out the holes, drill a 3/8" starter hole just inside each marked circle. Use a jigsaw to cut out the circles. Just insert the blade in the starter hole, and then cut. Sand the openings smooth when you are done.



11**Attach the Top**

Attach the Top to the base using 1 1/4" pocket hole screws, as shown. Then you can sand the project, and apply the paint or stain of your choice.

