

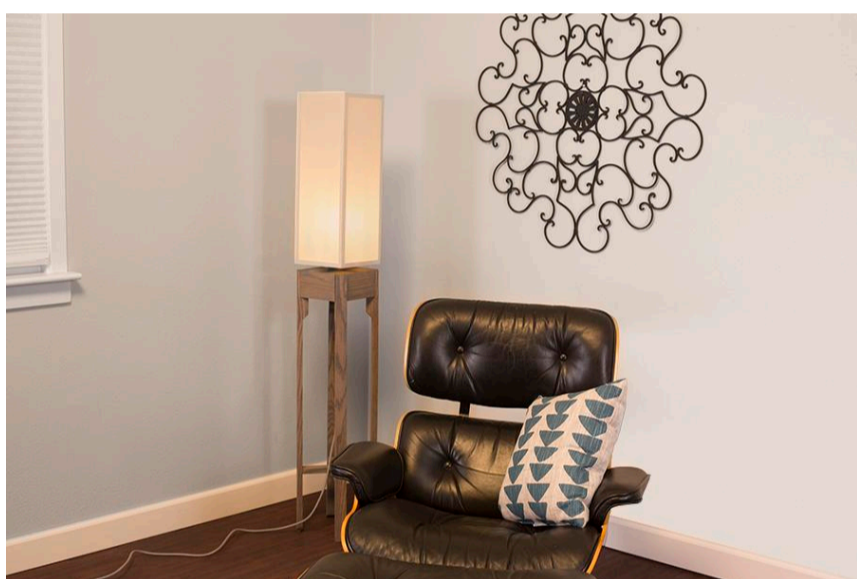
# Floor Lamp

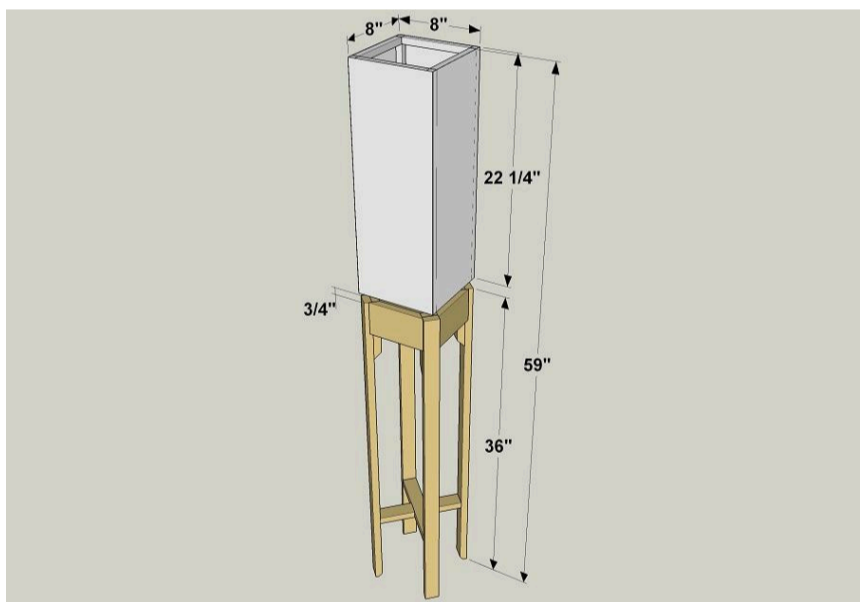
By **Kreg Tool**

Difficulty

Moderate

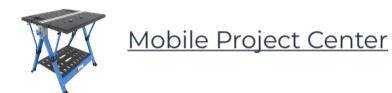
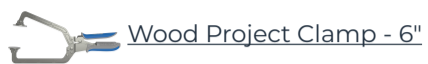
You can create your own lighting, and make it beautiful. It's easier than you think, and this floor lamp proves it. You can make the lamp base from a few boards (we chose oak). Even the shade is easy. Just cut and glue some square dowels to make a frame, then cut light diffuser film and apply it.





# Tools

## Kreg Tools



## Other Tools

Miter Saw

Square

Tape Measure

Utility Knife

Drill (cordless)

Right-Angle Drill Attachment

Sander

# Materials

## Wood Products

2 Board , 1x2 , 96"

1 Board , 1x4 , 36"

1 Plywood , 3/4" Thick , 24" X 24"

5 Square Dowel , 5/8" X 5/8" , 36"

## Hardware & Supplies

28 1 1/4" Fine-thread Pocket Hole Screws

1 6" Lamp Nipple

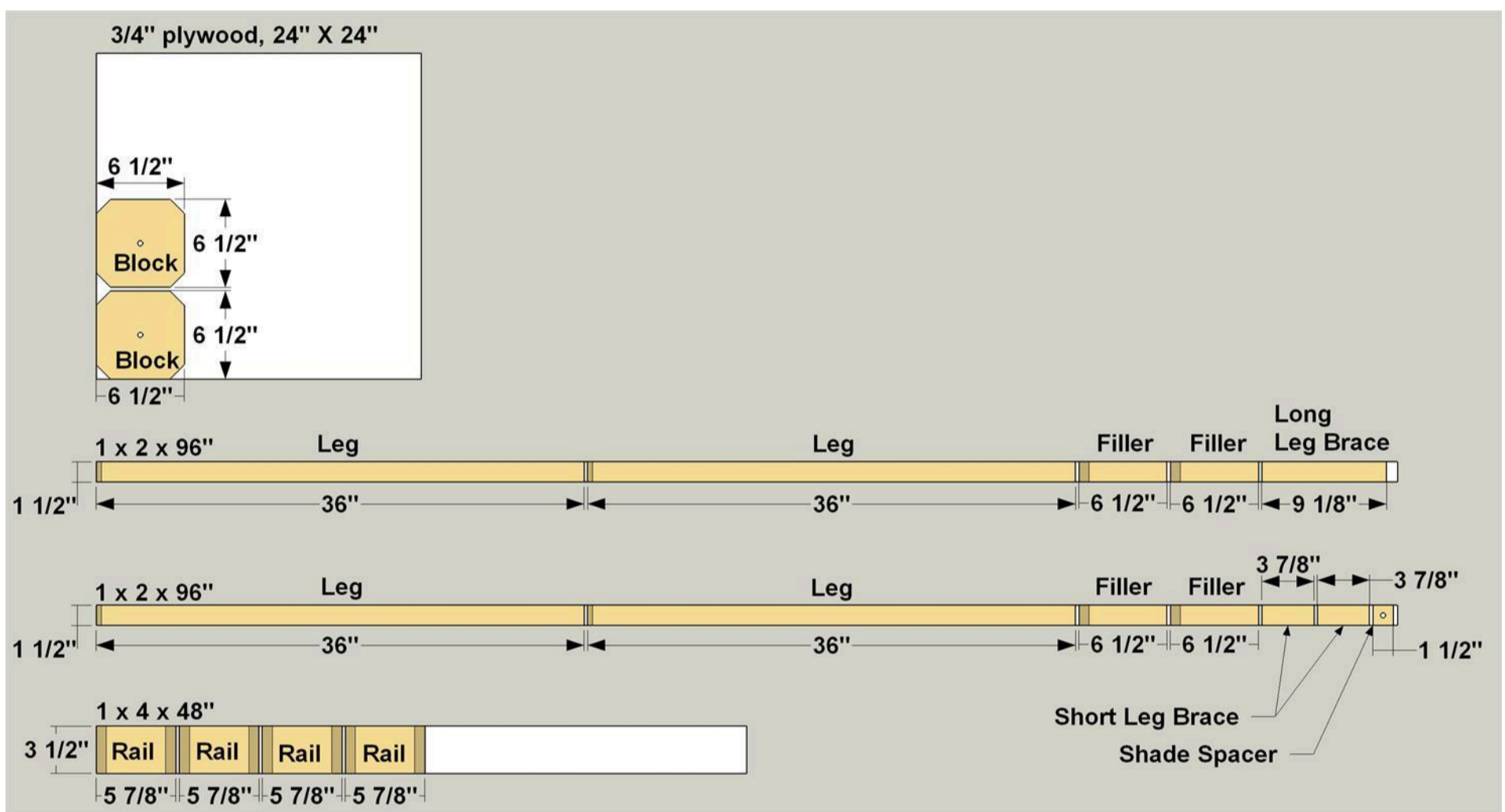
1 Porcelain Light Cord Set

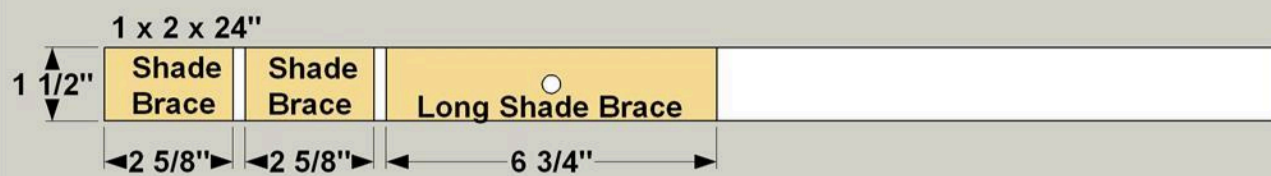
1 Double-Stick Fabric Tape

1 12" X 36" Light Diffuser Roll

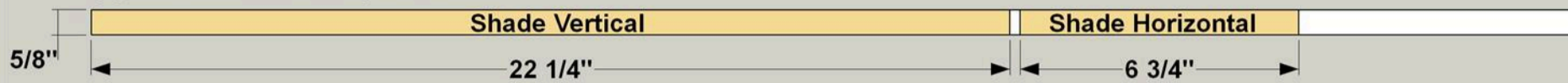
# Cut List & Parts

- 4 Leg, 3/4" X 1 1/2" X 36"
- 4 Leg Filler, 3/4" X 1 1/2" X 6 1/2"
- 2 Top/Bottom Block, 3/4" Ply X 6 1/2" X 6 1/2"
- 1 Long Leg Brace, 3/4" X 1 1/2" X 9 3/16"
- 2 Short Leg Brace, 3/4" X 1 1/2" X 3 7/8"
- 4 Rail, 3/4" X 3 1/2" X 5 7/8"
- 4 Frame Vertical, 5/8" X 5/8" X 22 1/4"
- 8 Frame Horizontal, 5/8" X 5/8" X 6 3/4"
- 1 Long Shade Brace, 3/4" X 1 1/2" X 6 3/4"
- 2 Short Shade Brace, 3/4" X 1 1/2" X 2 5/8"
- 1 Spacer Block, 3/4" X 1 1/2" X 1 1/2"

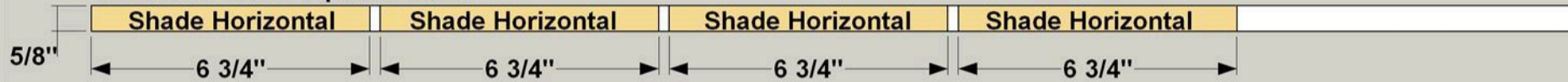




(4) 5/8" x 5/8" x 36" Square Dowel



5/8" x 5/8" x 36" Square Dowel

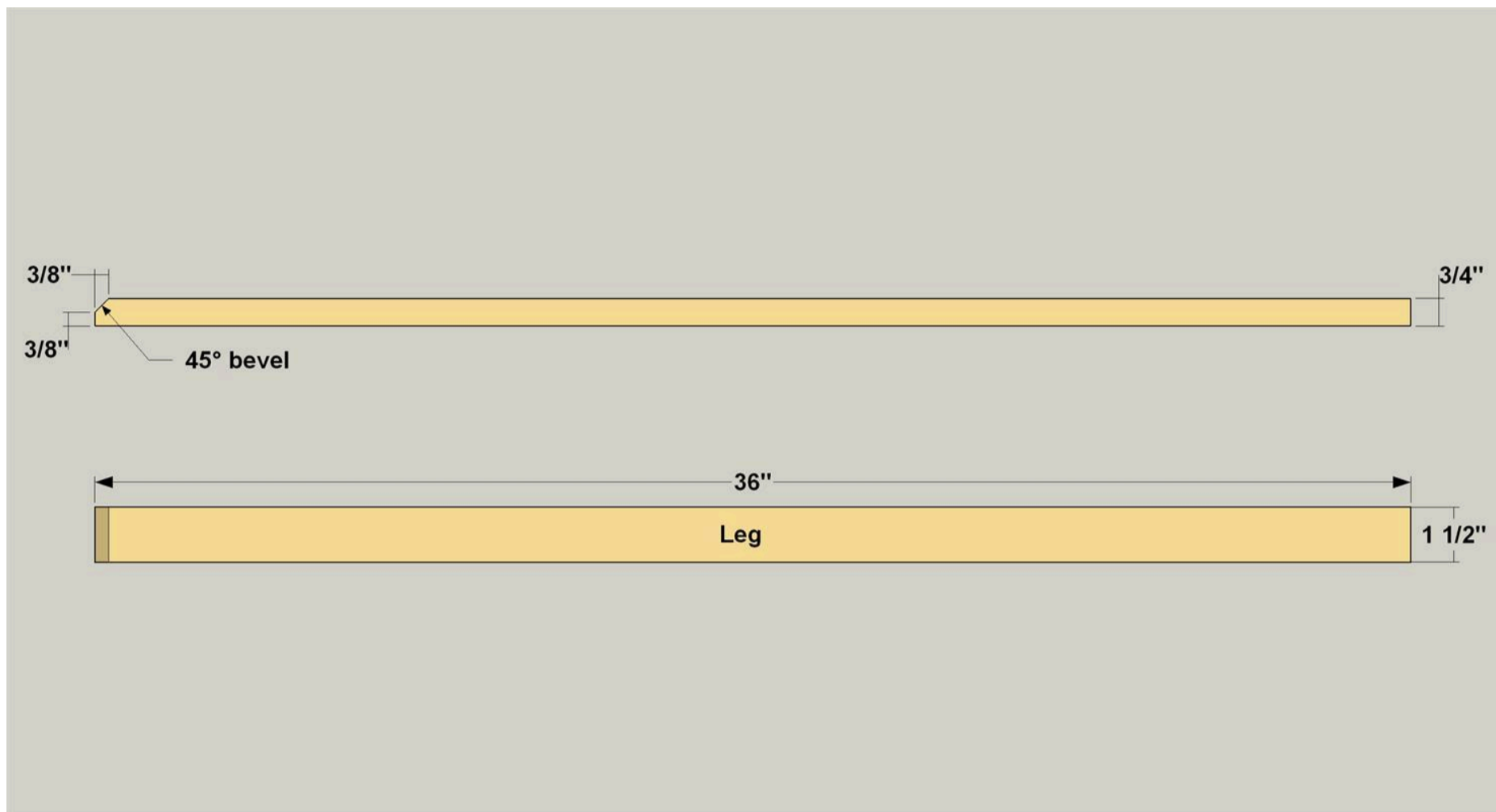


# Directions

1

## Cut the Legs

Cut four Legs to length from 1 x 2 boards as shown in the cutting diagram. Cut the bevel on one end of each leg, as shown. The easiest way to do this is to set your miter saw at 45°, stand the Leg on edge against the saw fence, and then cut the bevel. Note that you're only removing part of the end of the leg. This leaves a flat surface for the leg to stand on.



## 2

### Make Leg Fillers

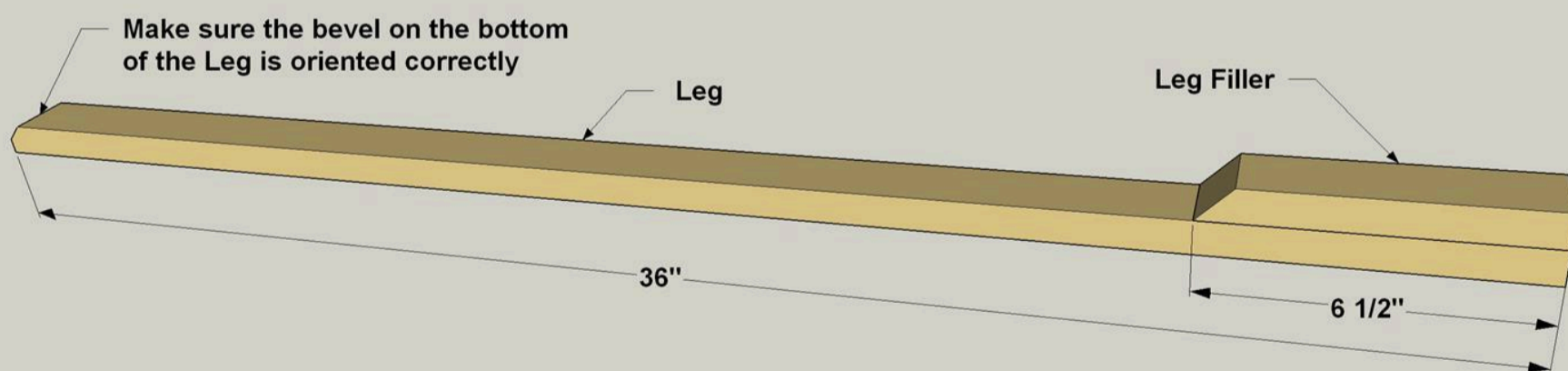
Cut four Leg Fillers to length from 1 x 2 boards as shown in the cutting diagram. Cut a 45° bevel on one end of each Leg Filler as shown. The procedure is the same as you used on the Legs, but in this case the bevel is through the full thickness of the piece.



## 3

### Glue Up the Legs

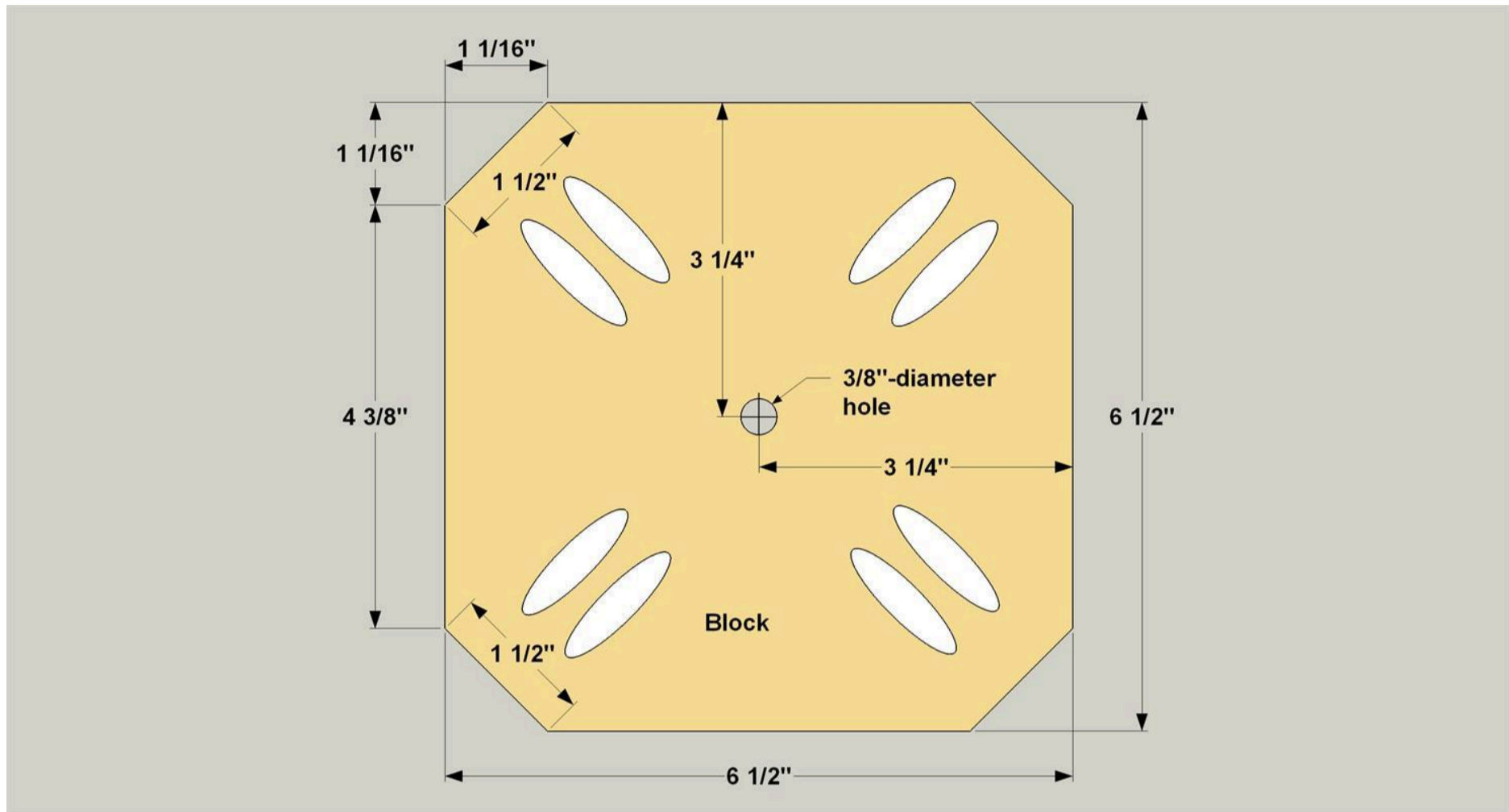
Glue and clamp one Leg Filler to the each Leg as shown. Make sure the top end and the side edges of the Filler are flush with the end and sides of the Leg.



## 4

### Make a Pair of Blocks

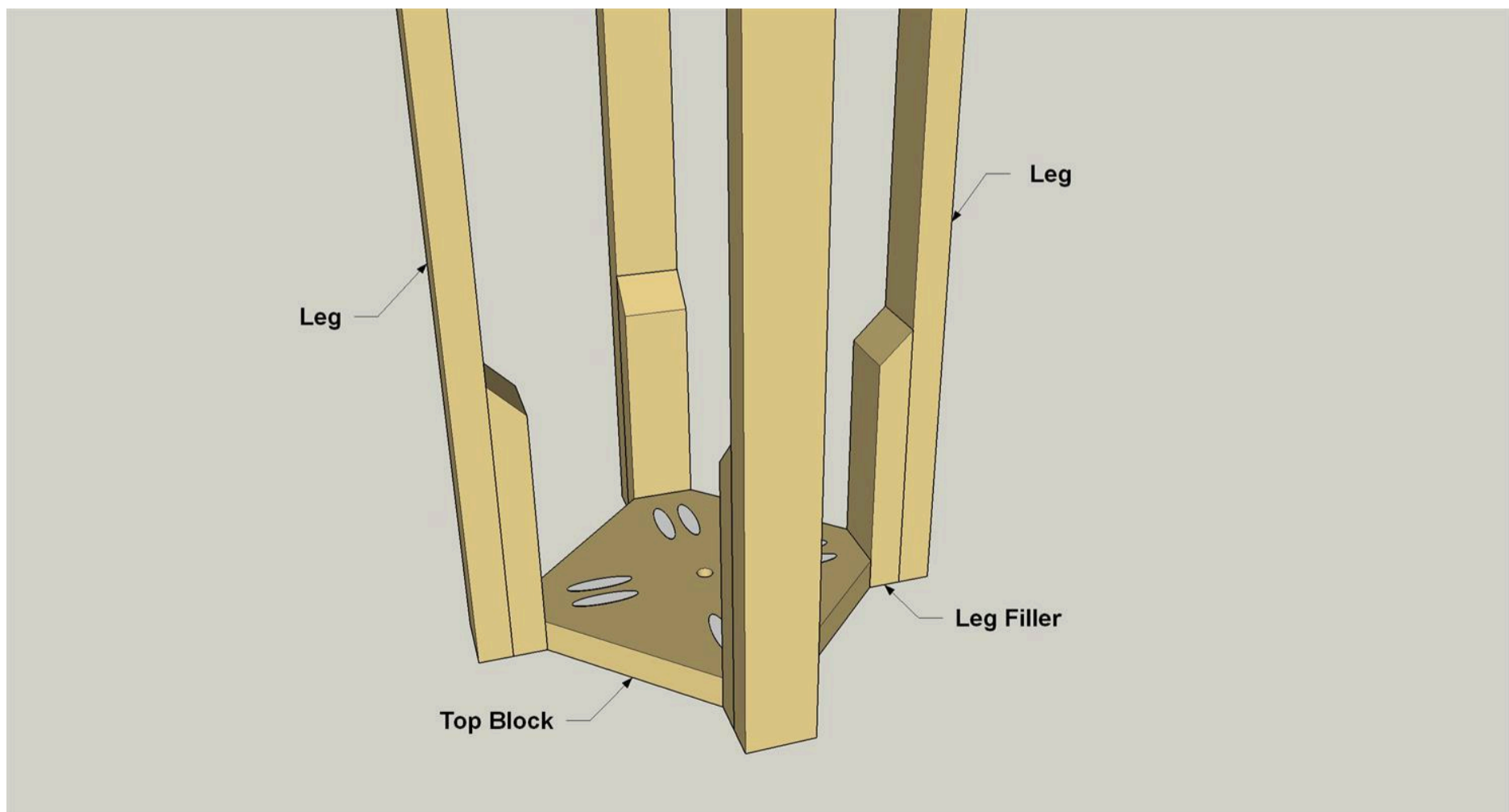
Cut a Top Block and a Bottom Block to size from  $\frac{3}{4}$ " plywood, as shown in the cutting diagram. These parts are identical. Trim the four corners as shown. Each mitered corner should measure the same as the width of the Legs:  $1\frac{1}{2}$ ". Drill a  $\frac{3}{8}$ " through hole in the center of each Block. Then drill pocket holes at the location shown.



## 5

### Join the Legs and Top Block

Clue and clamp two opposite legs to the Top Block, and then secure them using  $1\frac{1}{4}$ " fine-thread pocket hole screws. This is a tight space, but a simple drill attachment will make working in these tight quarters easy.

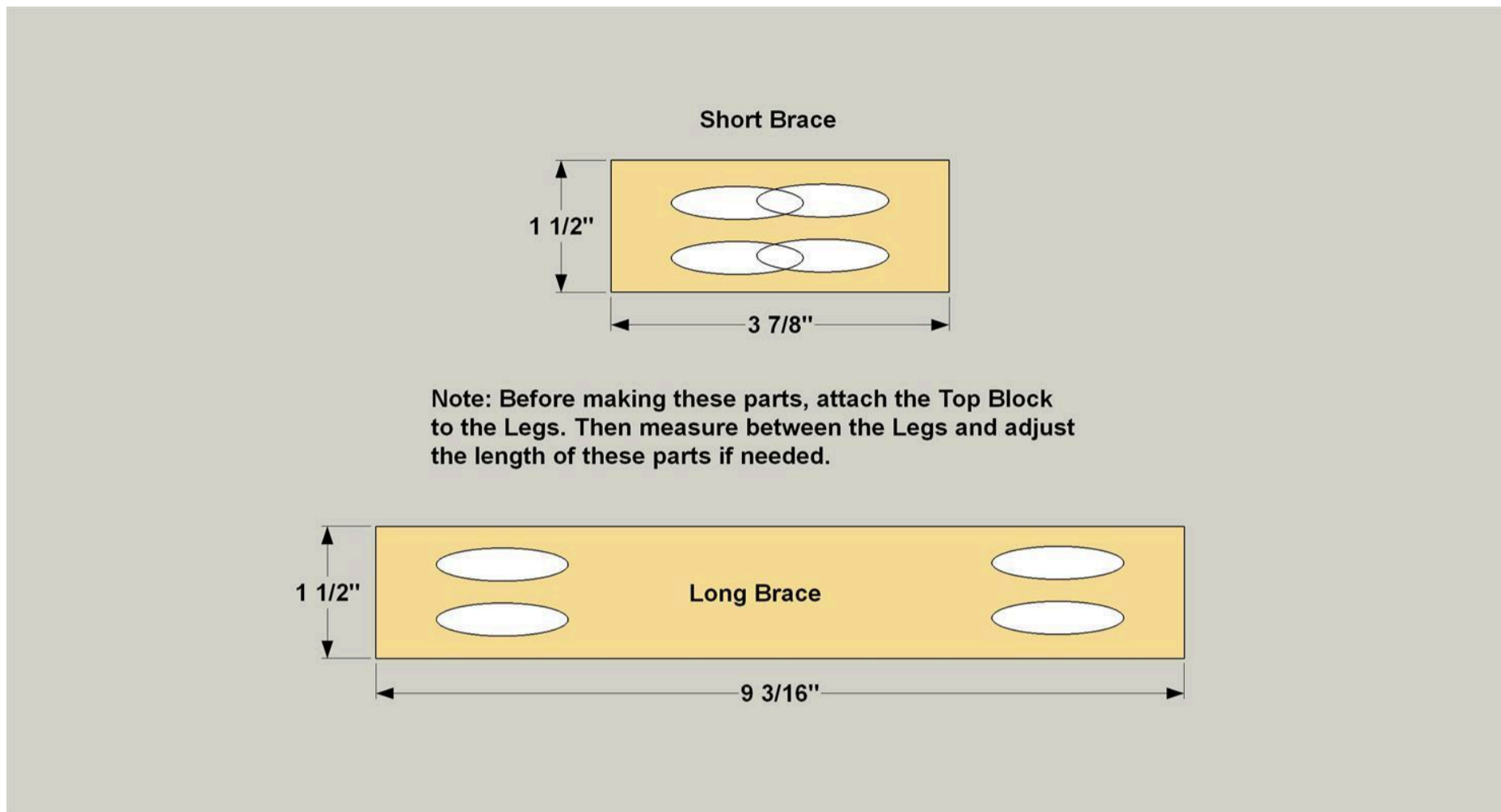




## 6

### Make the Leg Braces

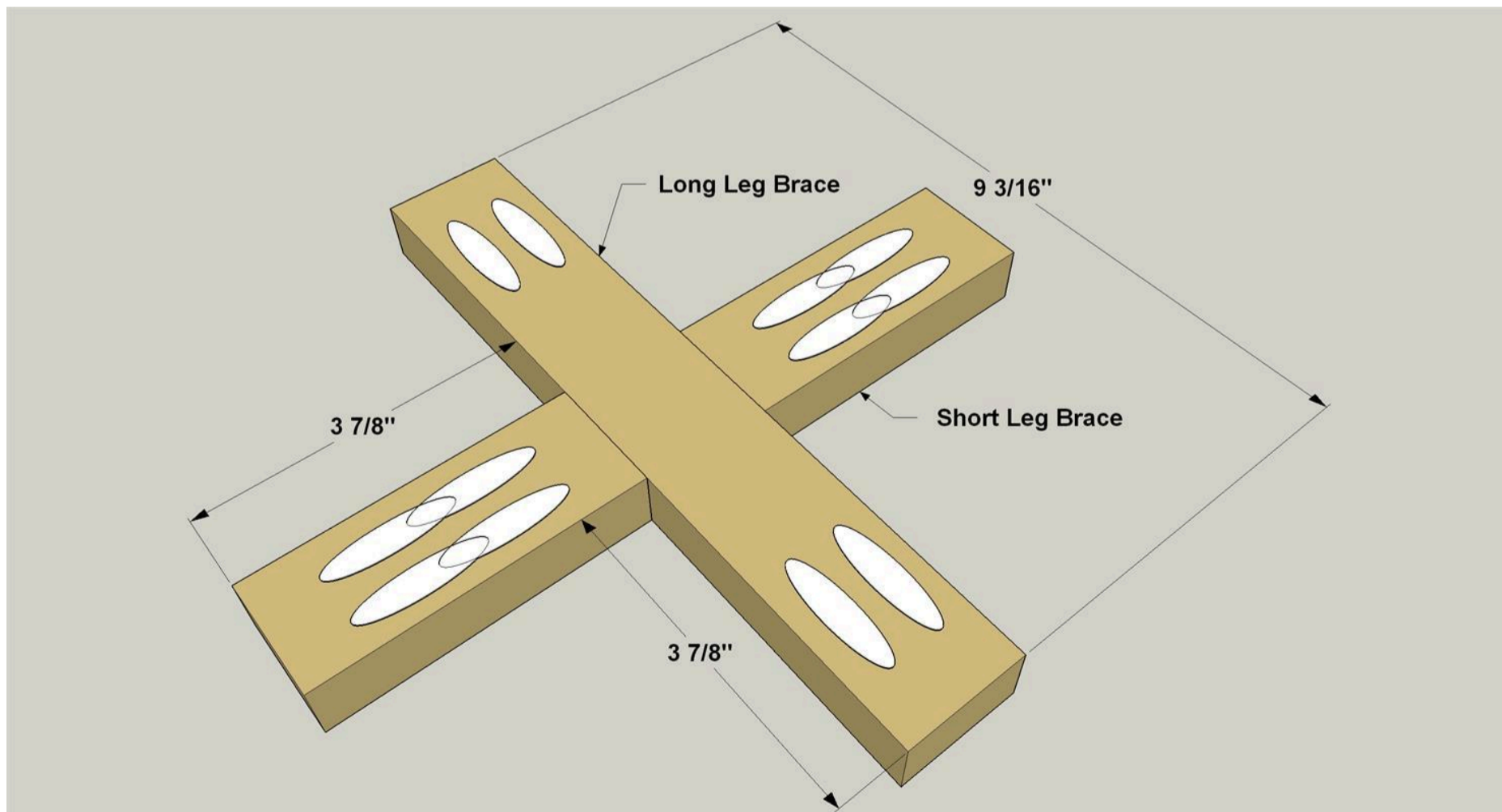
Cut one Long Leg Brace and two Short Leg Braces to length from 1x2 boards, as shown in the cutting diagram. Then, with your pocket hole jig set for 3/4" material, drill pocket holes where shown.



## 7

### Assemble the Leg Braces

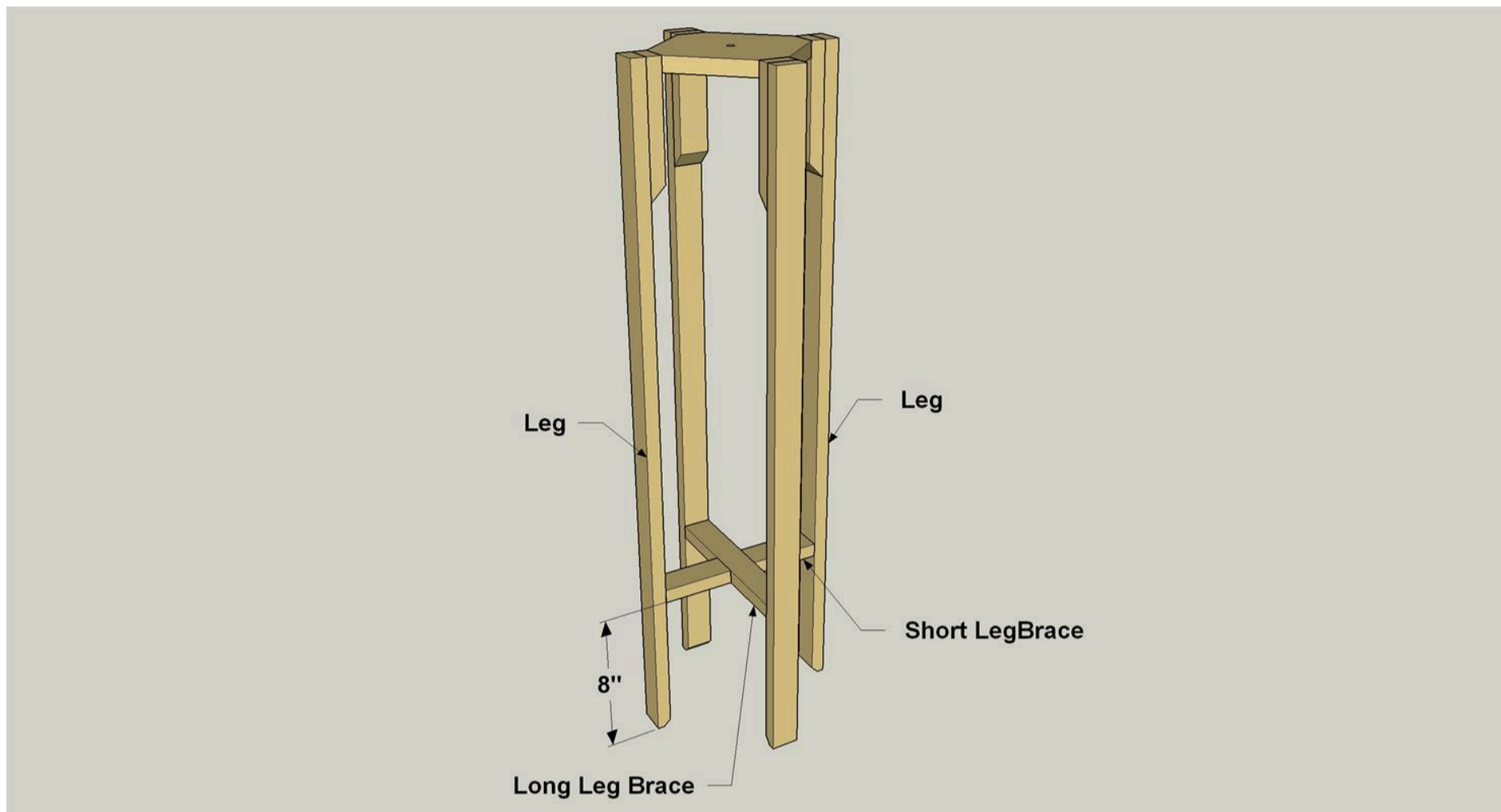
Position the two Short Leg Braces so they are centered on the length of Long Leg Brace, as shown, and secure them using 1/4" fine-thread pocket hole screws.



8

### Install the Brace Assembly

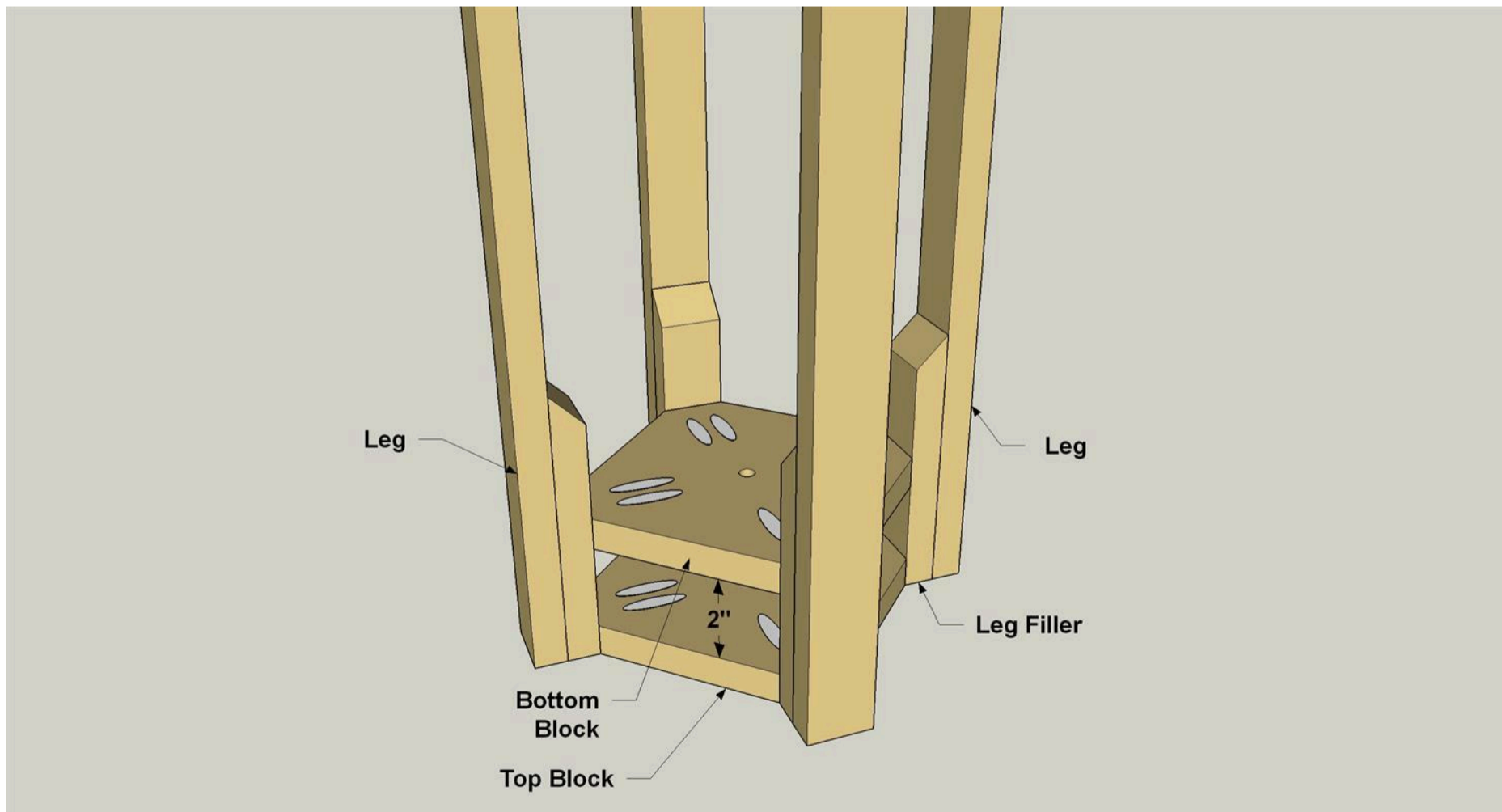
Attach the leg brace assembly to the Legs at the location shown using 1 1/4" fine-thread pocket hole screws. Once again, this is a perfect place to use a right-angle attachment.



9

### Install the Bottom Block

Attach the Bottom Block to the Legs, making sure to keep a 2" gap between the Bottom Block and the Top Block. Secure the Block using 1 1/4" fine-thread pocket hole screws.

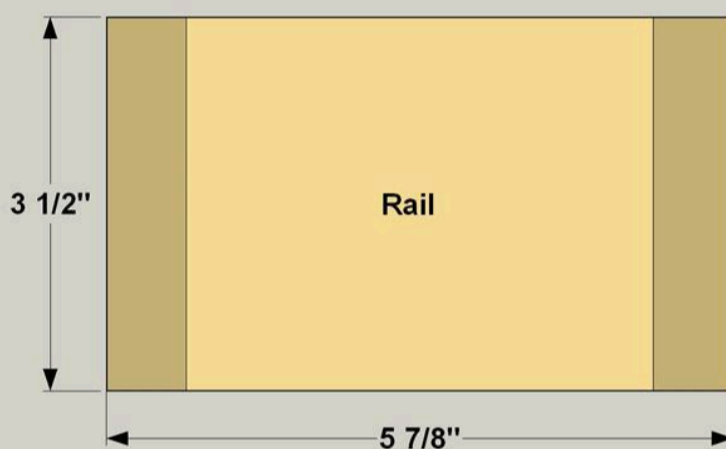


**10****Make the Rails**

Cut four rails from a 1x4 board, as shown in the cutting diagram. The best way to do this is to initially cut them extra-long. Then bevel one end at 45°. On most miter saws, you can stand the piece on edge and rotate the blade to cut a 45° miter. If the Rail is too wide to stand on your saw, lay it flat and then tilt the head to a 45° bevel to make your cuts. Hold a Rail in position on the table base and double check the exact length required. Then cut it and test the fit. You're better off to cut a little long and then make skim cuts until it fits exactly. Mark that Rail and its location, and then work around fitting each Rail. That way, even if the Legs aren't all positioned exactly the same, you'll end up with tight-fitting rails.

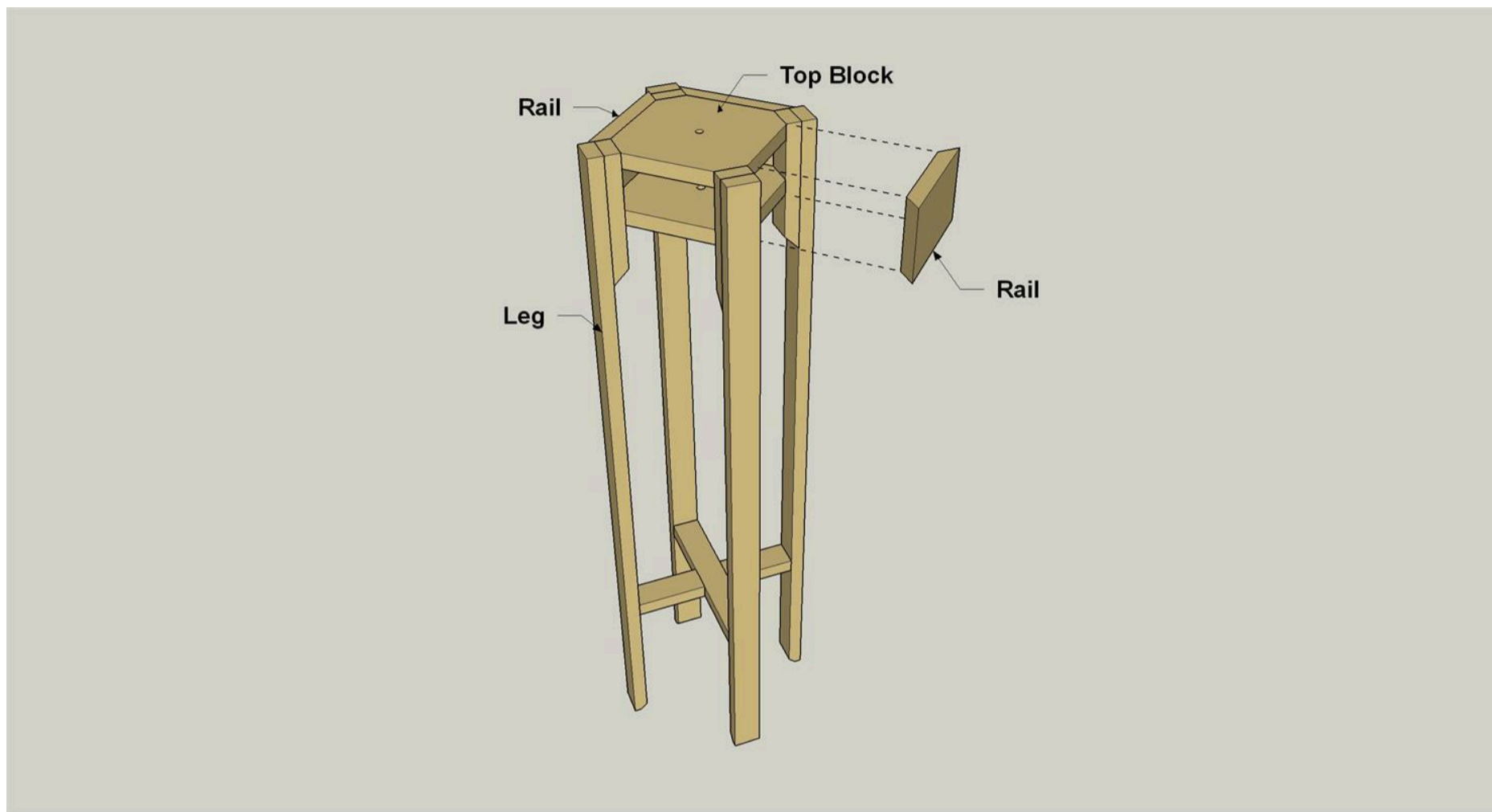


**Note: Before making the Rails, attach the Top Block to the Legs. Then measure between the Legs and adjust the length of the Rails if needed.**



**11****Add the Rails**

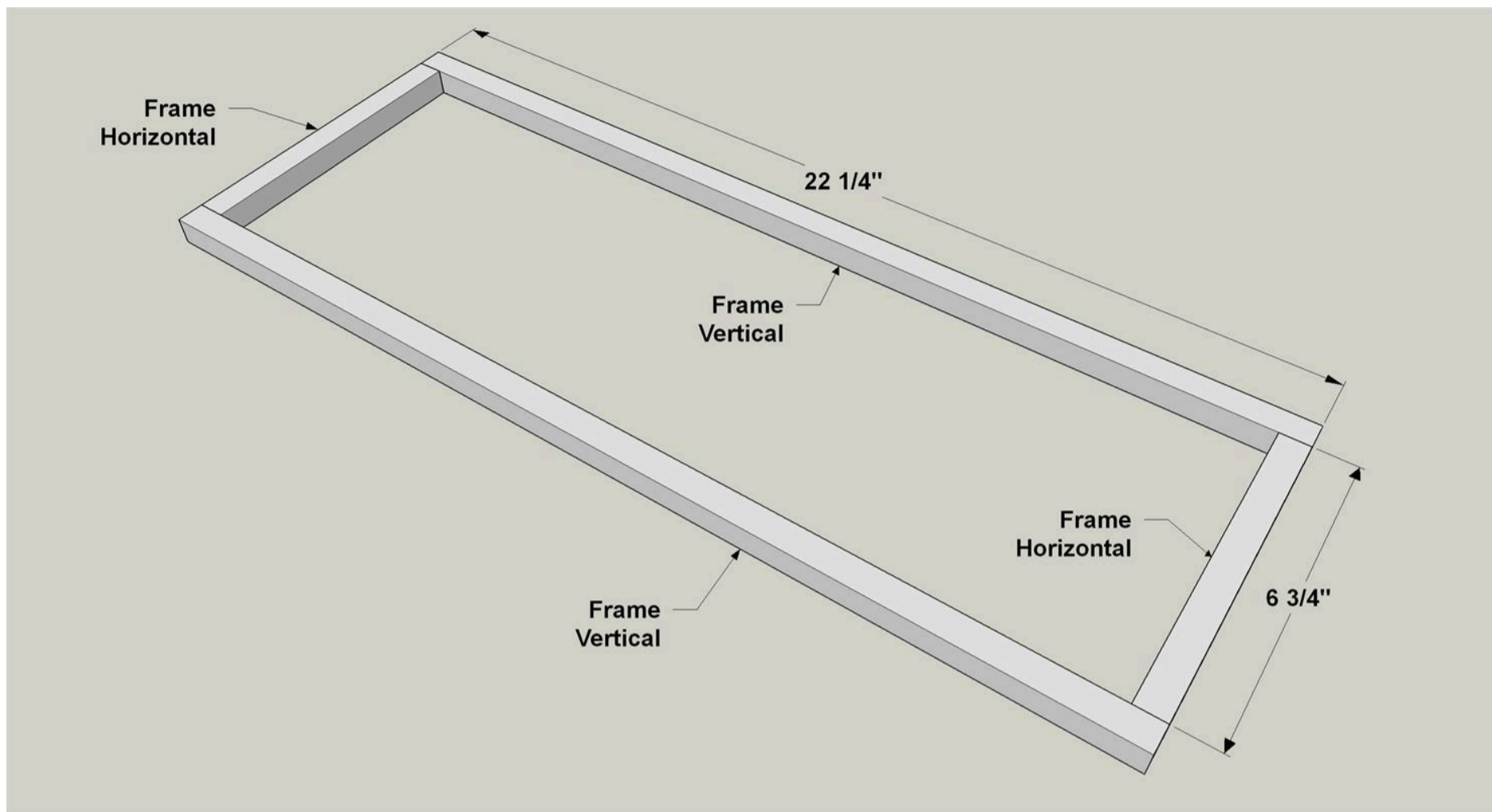
Once you have the Rails all fitted, attach you can attach them. Spread glue on the edges of the Blocks on opposite sides of the base assembly. Then clamp these two Rails in place. Once the glue sets dries enough to hold—usually about 20 minutes—you can repeat the process to attach the other two Rails.

**12****Finish Up the Base**

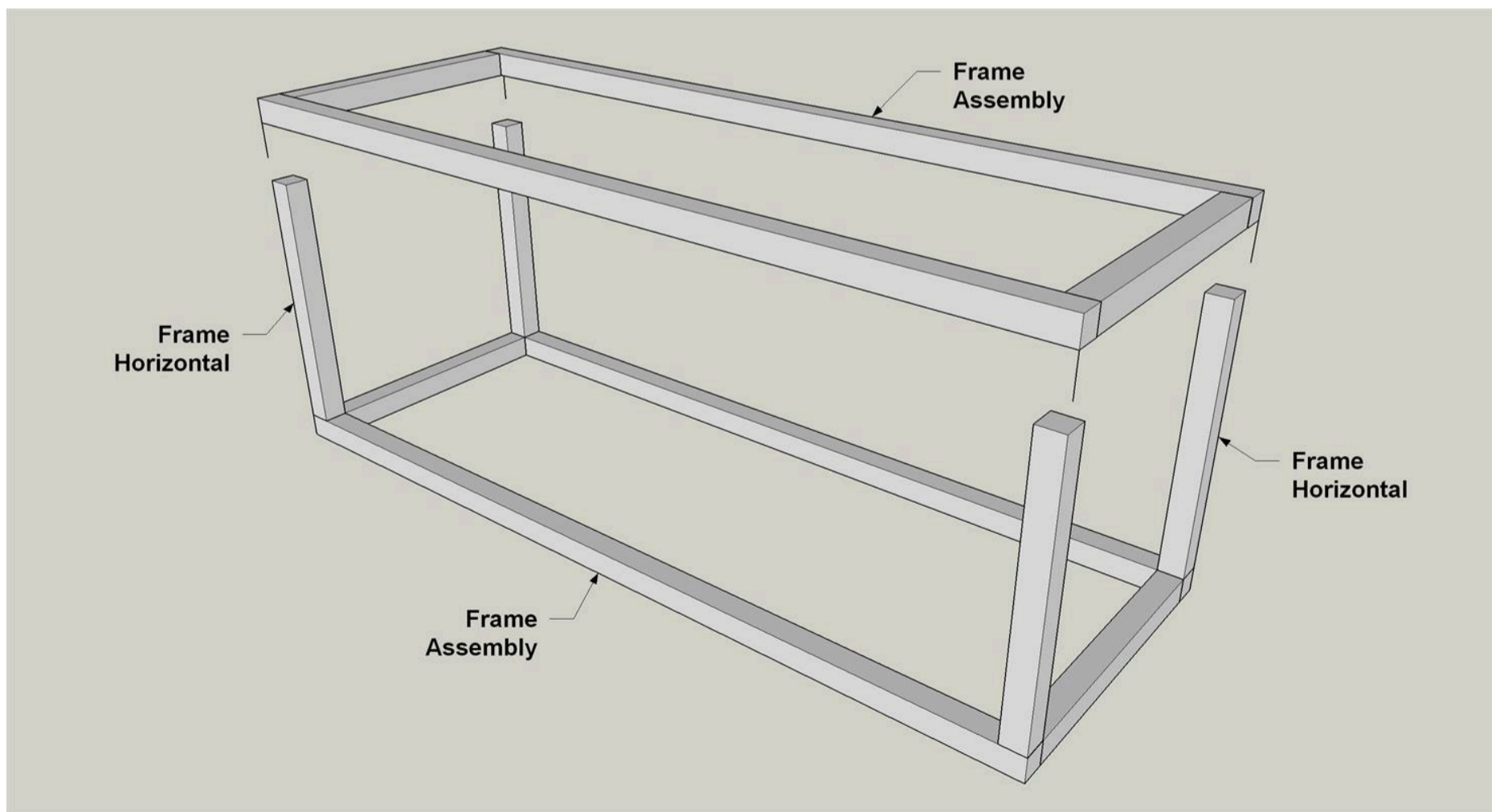
Give your lamp base a final sanding, and then finish it with your favorite stain. We used gray gel stain from General Finishes. After the finish dries, thread in the lamp nipple in to the blocks so it is flush to the lower face of the Bottom Block. Then you're ready to move on to making the shade.

**13****Begin Building the Shade**

Cut four Frame Verticals and eight Frame Horizontals to length from 5/8" square dowels, as shown in the cutting diagram. Glue and clamp two Frame Horizontals to two Frame Verticals as shown, and clamp them together. Use a square to make sure that the frame side assembly is square. Repeat this to create another frame side assembly.

**14****Bring the Frame Together**

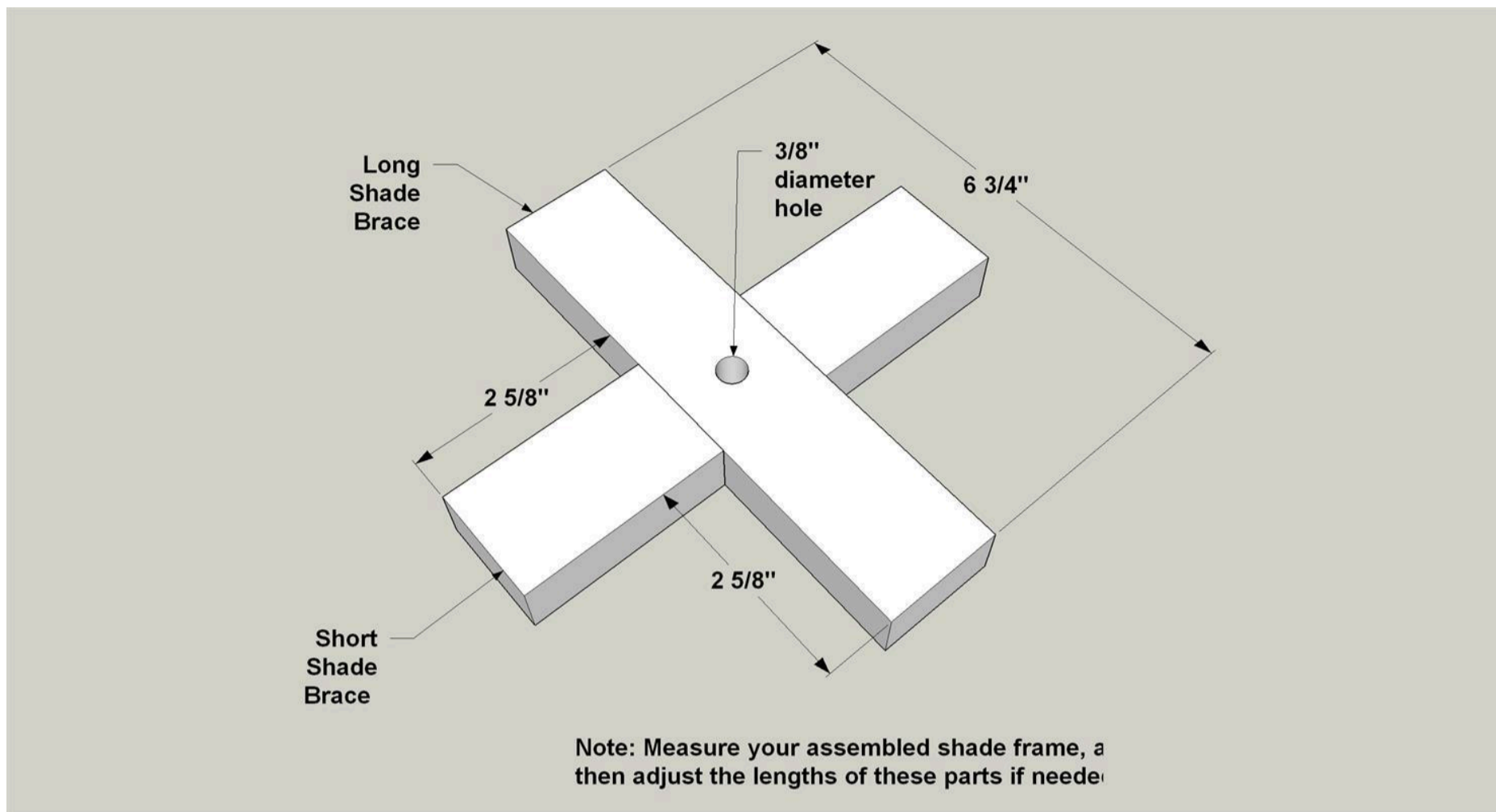
Now you can connect the two frame sides by gluing the remaining four Frame Horizontals in place as shown. Once again, use a square to double-check the frame.



# 15

## Make Shade Braces

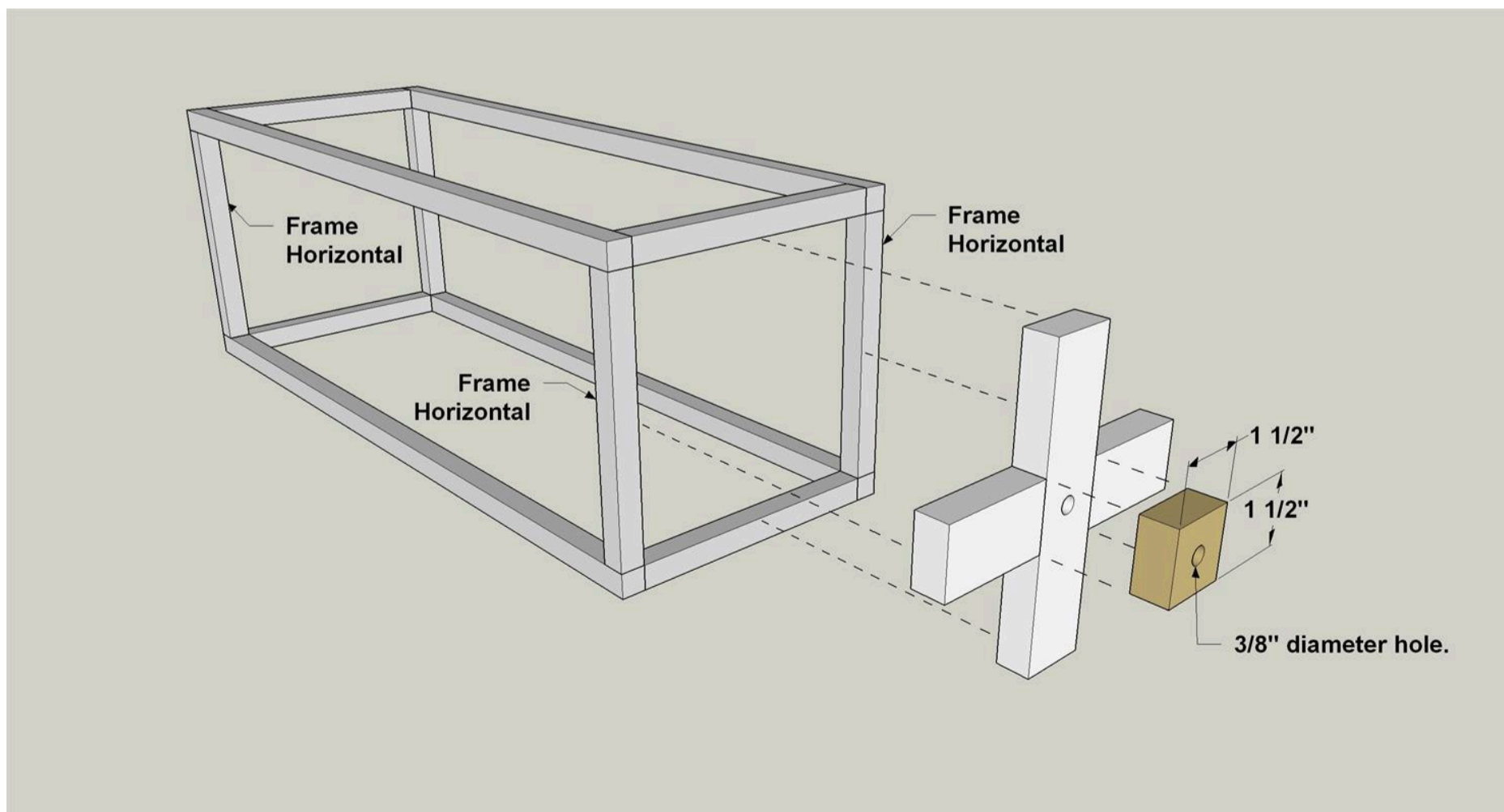
Cut two Short Shade Braces and one Long Shade Brace from 1 x 2 boards as shown in the cutting diagram. Drill a 3/8" hole centered in the Long Shade Brace, then glue the three pieces together, as shown, with the Short Braces centered on the length of the Long Brace. Clamp the assembly until the glue sets.



# 16

## Install the Frame Brace

Cut a Spacer Block to size from 1 x 2 board and Drill a 3/8" hole centered on the board. Glue the Spacer to the frame brace assembly, as shown, so the holes are aligned. Then glue the Frame Brace into the Shade Frame so that the bottom of the Brace is flush with the bottom of the Frame Horizontals.



**17****Finish Up the Lamp**

Sand the frame lightly, and then paint it with an off-white spray paint. When the Frame is dry, apply permanent double-stick tape (made for fabric) to one side of the frame at a time. Lay the Frame on the diffuser film and carefully trim the film to fit with a sharp utility knife. Do this for all four sides. Mount the shade by threading it onto the lamp nipple in the base. Then wire and install your light fixture according to the instructions.

---