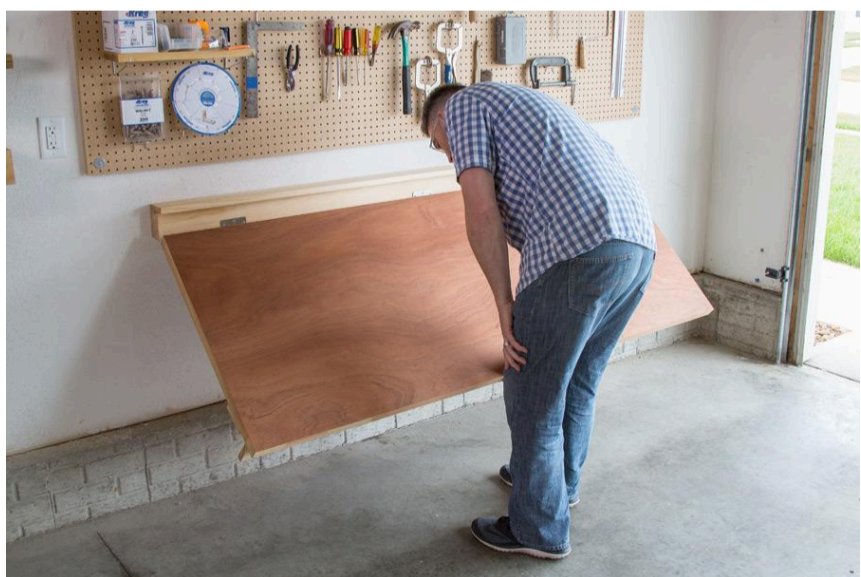
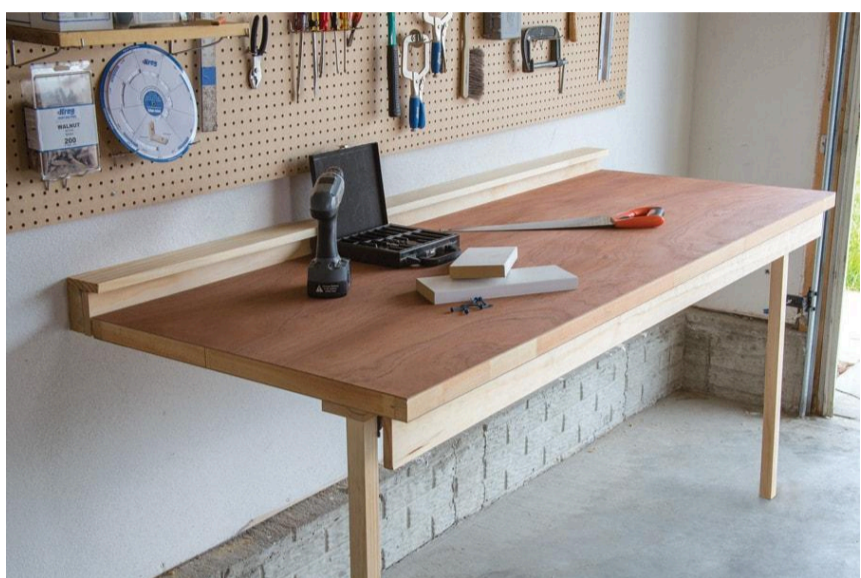


Drop-Down Workbench

By **Kreg Tool**

Difficulty
Moderate

No shop is complete without a workbench, but not everyone's shop space allows room for a big, freestanding bench. This bench offers a sturdy place for all your shop chores, and folds down flat against the wall when not in use to save space.



Tools

Kreg Tools



[Kreg® Pocket-Hole Jig 720](#)

Other Tools

Circular Saw (cordless)

Miter Saw

Drill (cordless)

Sander

Materials

Wood Products

3 Board , 1x4 , 96"

1 Board , 2x4 , 96"

1 Board , 2x2 , 96"

Hardware & Supplies

1 30" X 80" Solid-core Door

14 1 1/4" Coarse-thread Pocket-hole Screws

10 #8 X 3 1/2" Flathead Wood Screws

10 #8 X 2" Flathead Wood Screws

8 #8 X 1 1/2" Flathead Wood Screws

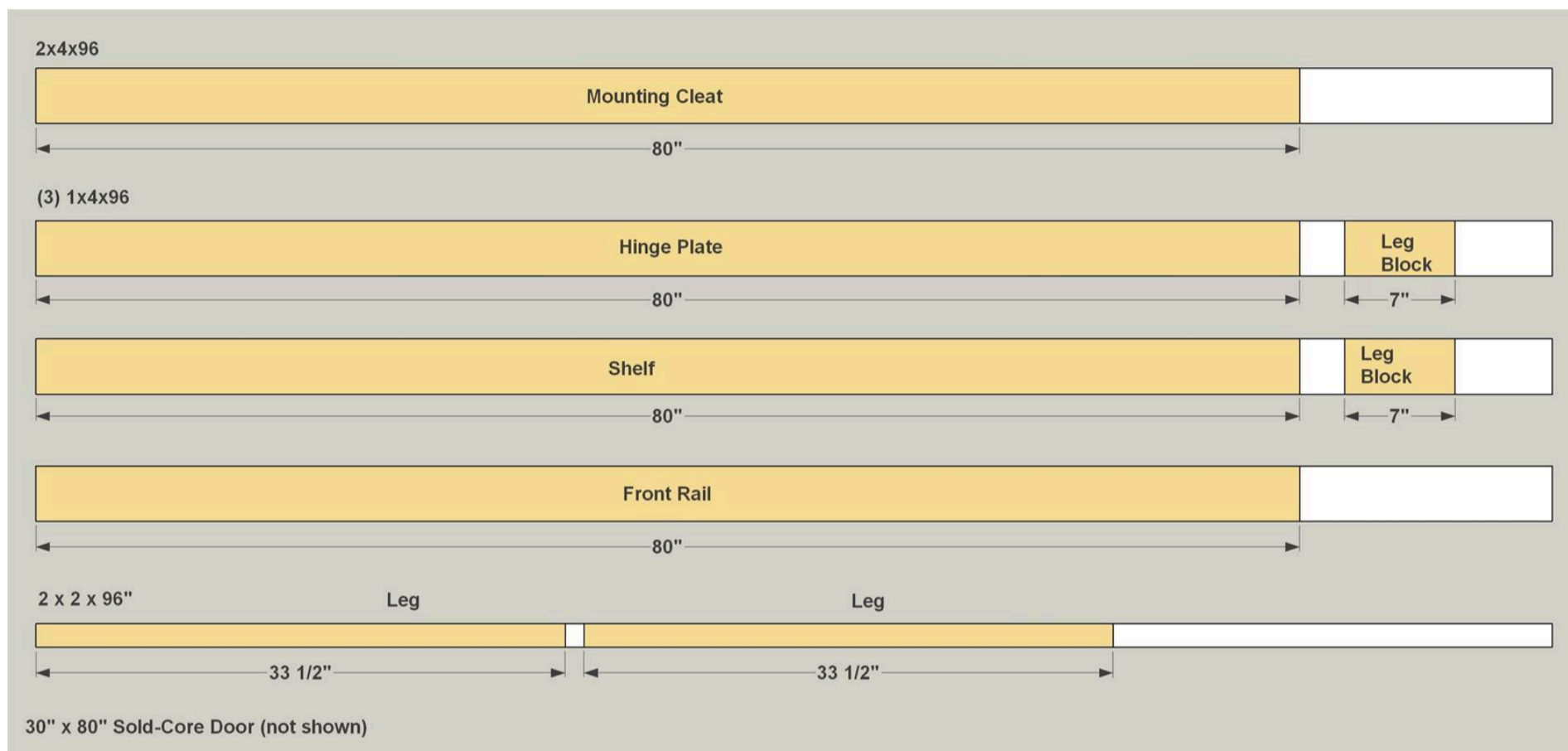
3 3 1/2" Door Hinges

18 #10 X 1 1/2" Flathead Wood Screws

1 Folding Leg Brackets

Cut List & Parts

- 1 Bench Surface , 1 1/2" X 24" X 80"
- 1 Mounting Cleat , 1 1/2" X 3 1/2" X 80"
- 1 Shelf , 3/4" X 3 1/2" X 80"
- 1 Hinge Plate , 3/4" X 3 1/2" X 80"
- 1 Front Rail , 3/4" X 3 1/2" X 80"
- 2 Leg , 1 1/2" X 1 1/2" X 33 1/2"
- 2 Leg Block , 3/4" X 3 1/2" X 7"

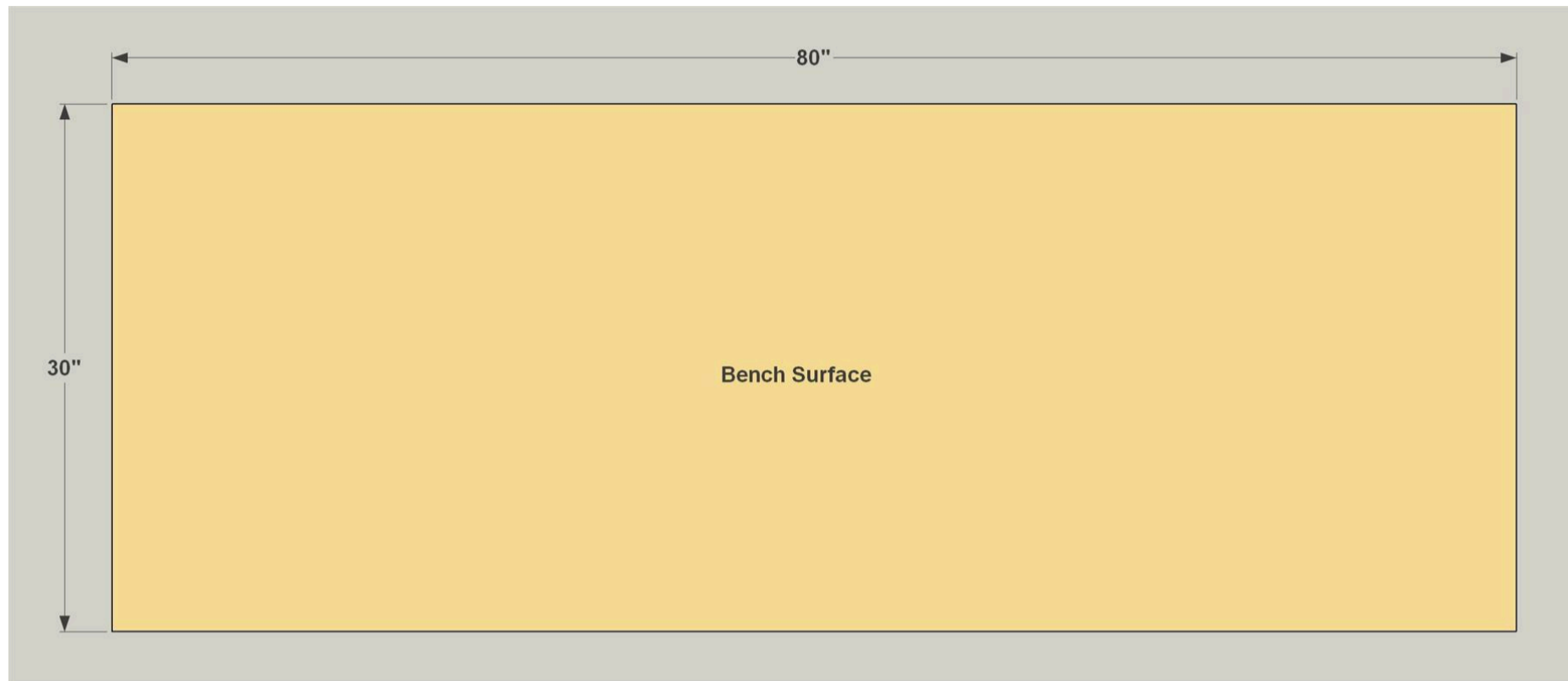


Directions

1

Pick Up a Bench Surface

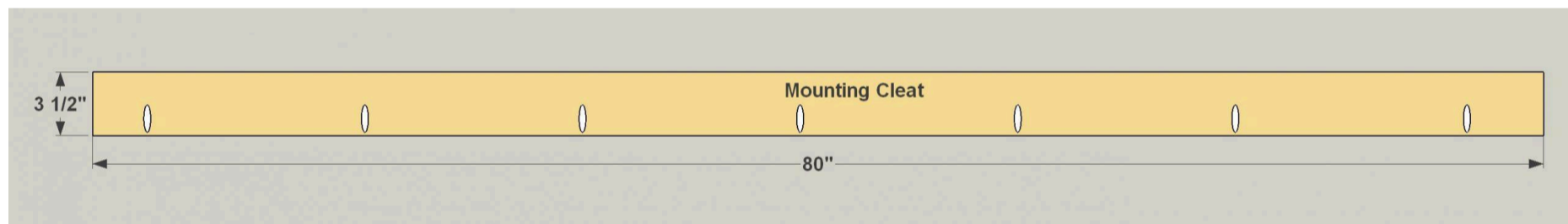
Start by getting your bench surface. It's just a 30"-wide solid-core door. If your home center doesn't have one on the shelf, you can special-order one. You could even pick up a used door.



2

Make a Shelf and Mounting Cleat

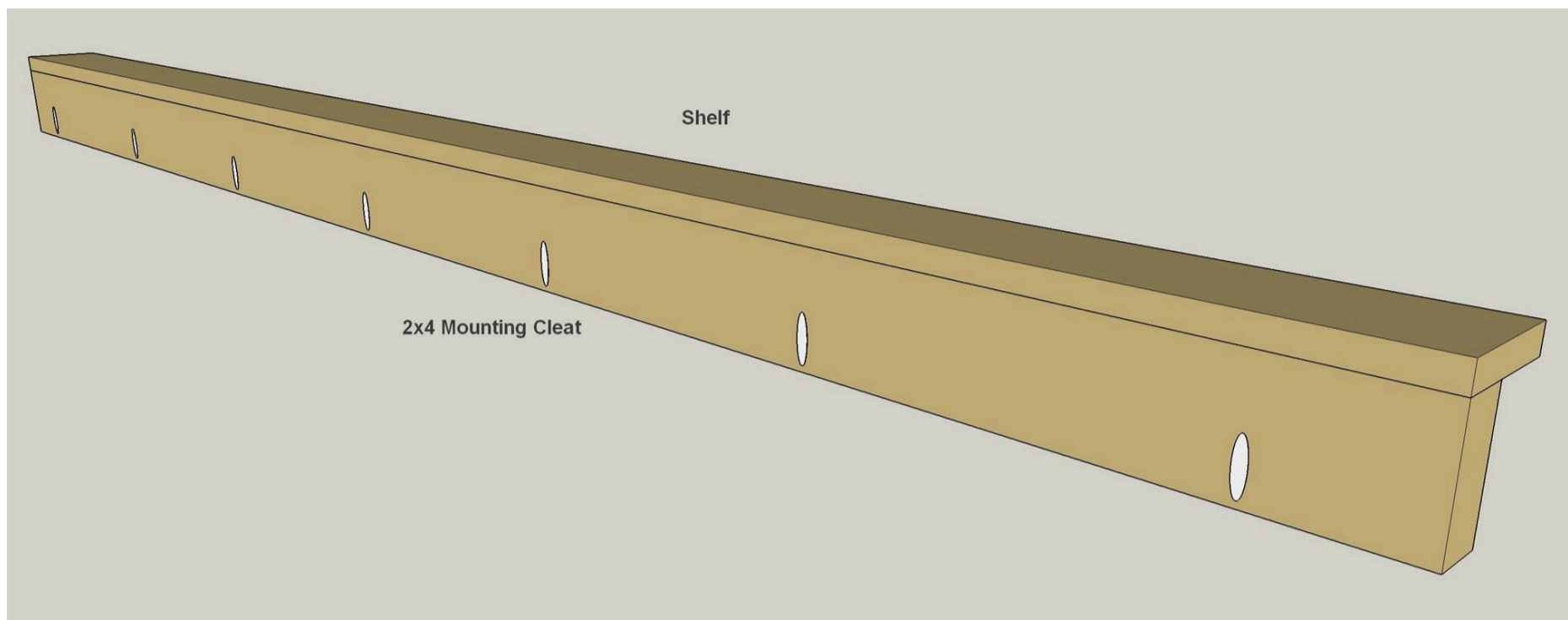
Cut a Shelf to length from a 1x4 board, as shown in the cutting diagram. Also cut a mounting Cleat to length from a 2x4 board. Then, with your pocket-hole jig set up for 1 1/2" material, drill pocket holes in the back face of the Mounting Cleat, as shown.



3

Attach the Shelf

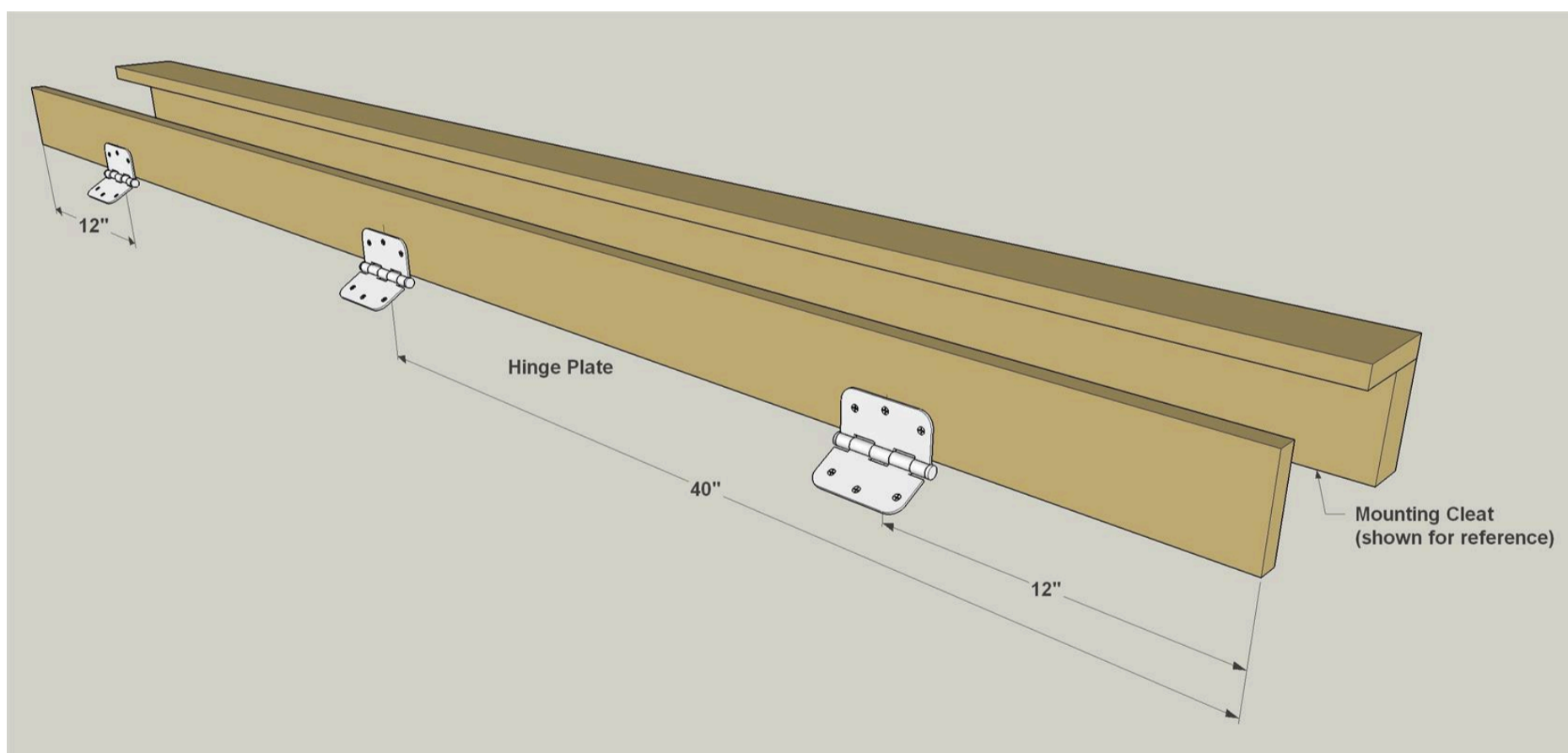
Attach the Shelf to the Mounting Cleat using 1 1/4" coarse-thread pocket-hole screws.



4

Add a Hinge Plate

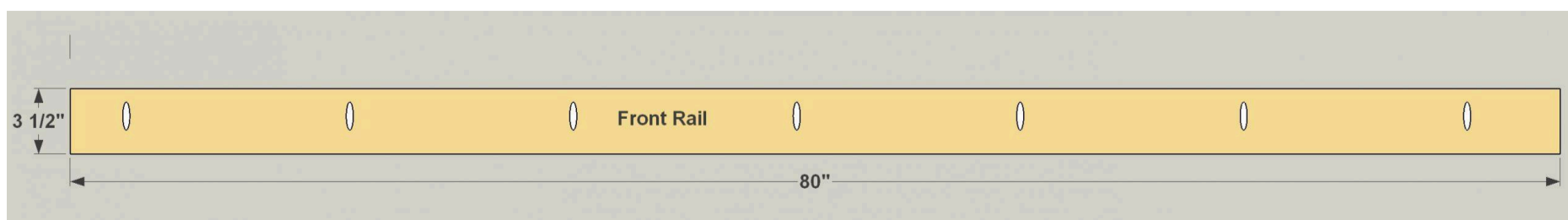
Cut a Hinge Plate to length from a 1x4 board, as shown in the cutting diagram. Then attach three hinges to the Plate as shown.



5

Create a Front Rail

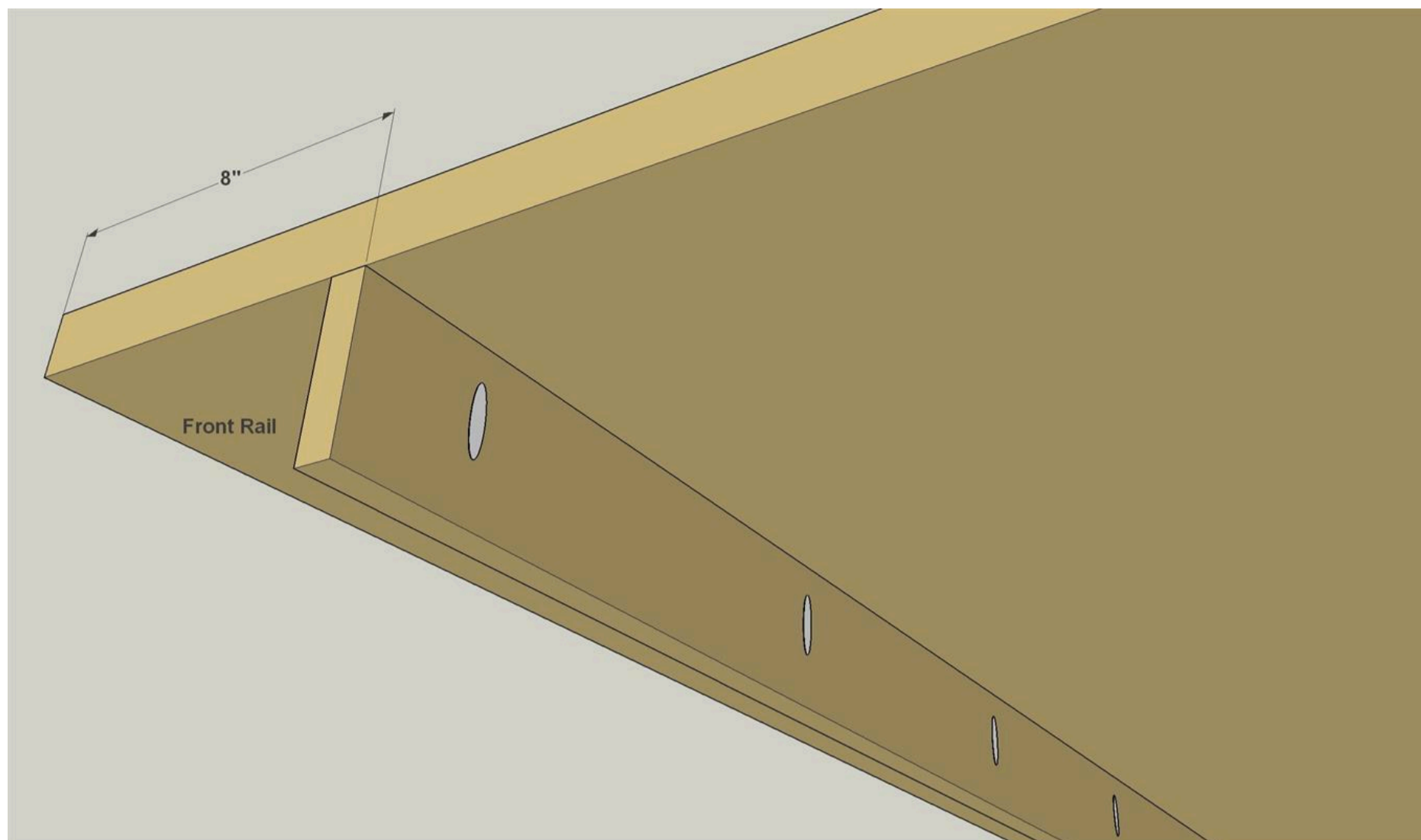
Cut a Front Rail to length from a 1x4 board, as shown in the cutting diagram. Then, with your pocket-hole jig set up for 3/4" material, drill pocket holes in the back face of the Front Rail as shown.



6

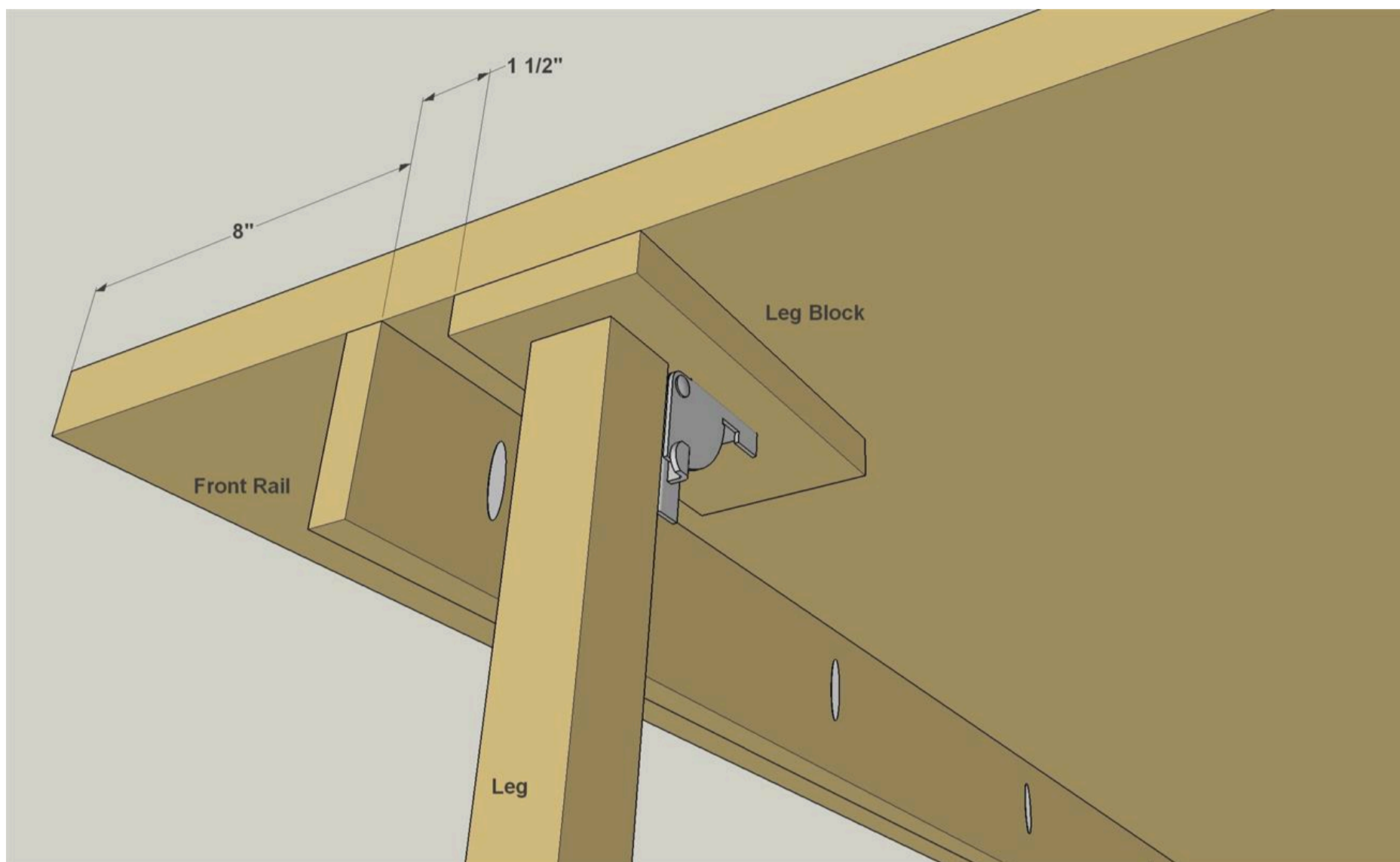
Install the Front Rail

Now you can mount the Front Rail to the underside of the Bench Surface, as shown, using 1 1/4" coarse-thread pocket-hole screws.



7**Create and Install the Legs**

Cut two Legs to length from a 2x2 board, as shown in the cutting diagram. Also cut two Leg Blocks to length from a 1x4 board. Then, mount the Leg Blocks to the underside of the Bench Surface, as shown, using four #8 x 1 1/2" flathead woodscrews in each Block. Screw the Legs to the folding leg brackets, and then mount those to the Leg Blocks.



8**Mount the Bench to the Wall**

With the parts complete, you can mount your bench. First, determine its location, and then locate the wall studs in that area. Measure up from the floor the combined height of the Leg plus Leg Block ($34\frac{1}{4}$ ") and mark a level line on the wall. Place the Mounting Cleat/Shelf assembly on this line, and attach it by driving two screws through it into each wall stud. Then screw the Hinges to the back edge of the Bench Surface. Hold this assembly in place over the wall cleat, and screw the Hinge Plate to the Mounting Plate.

