

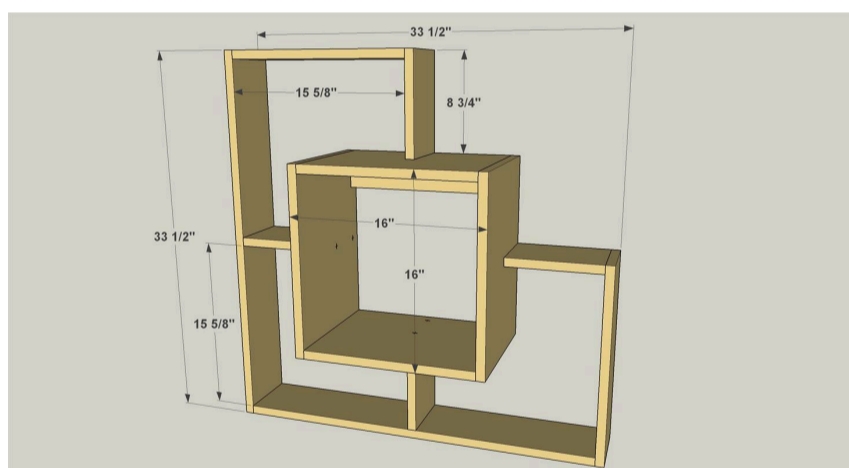
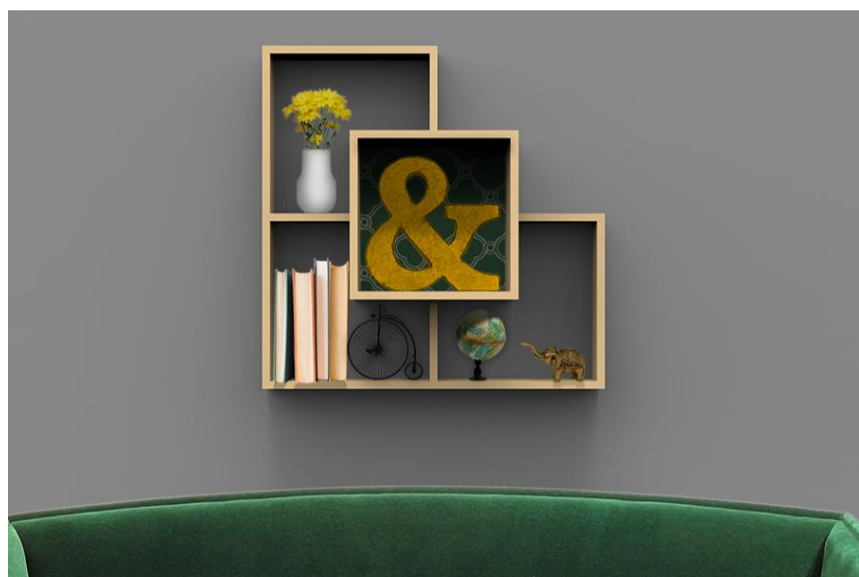
Contemporary Display Shelf

By **Kreg Tool**

Difficulty

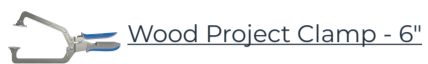
Moderate

If you're looking for a unique way to display some of your favorite things, you'll want to check out this different twist on the traditional display shelf. It has a deep inner box that's partially surrounded by a shallower out box. That outer box has its own sections, creating a unique look.



Tools

Kreg Tools



Other Tools

Miter Saw

Tape Measure

Drill (cordless)

Sander

Materials

Wood Products

1 Board , 1x6 , 96"

1 Board , 1x6 , 48"

1 Board , 1x12 , 96"

1 Board , 1x3 , 24"

Hardware & Supplies

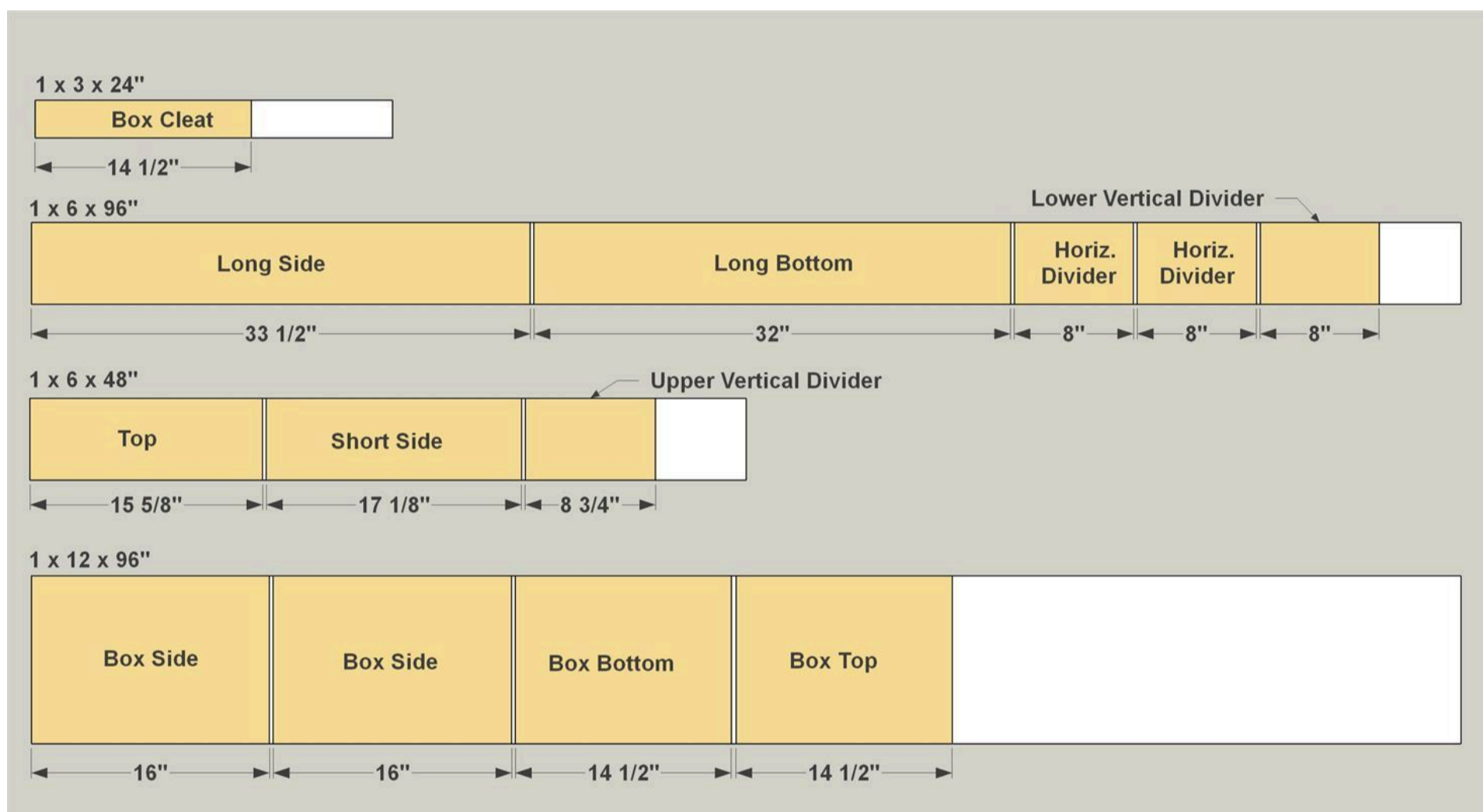
31 1 1/4" Pocket Hole Screws

10 #8 X 2" Wood Screws

1 18" Hangman Picture Hanging System (Or Equivalent)

Cut List & Parts

- 1 Long Side , 3/4" X 5 1/2" X 33 1/2"
- 1 Long Bottom , 3/4" X 5 1/2" X 32"
- 2 Horizontal Divider , 3/4" X 5 1/2" X 8"
- 1 Top , 3/4" X 5 1/2" X 15 5/8"
- 1 Short Side , 3/4" X 5 1/2" X 17 1/8"
- 1 Lower Vertical Divider , 3/4" X 5 1/2" X 8"
- 1 Upper Vertical Divider , 3/4" X 5 1/2" X 8 3/4"
- 1 Box Top , 3/4" X 11 1/4" X 14 1/2"
- 1 Box Bottom , 3/4" X 11 1/4" X 14 1/2"
- 2 Box Side , 3/4" X 11 1/4" X 16"
- 1 Box Cleat , 3/4" X 2 1/2" X 14 1/2"

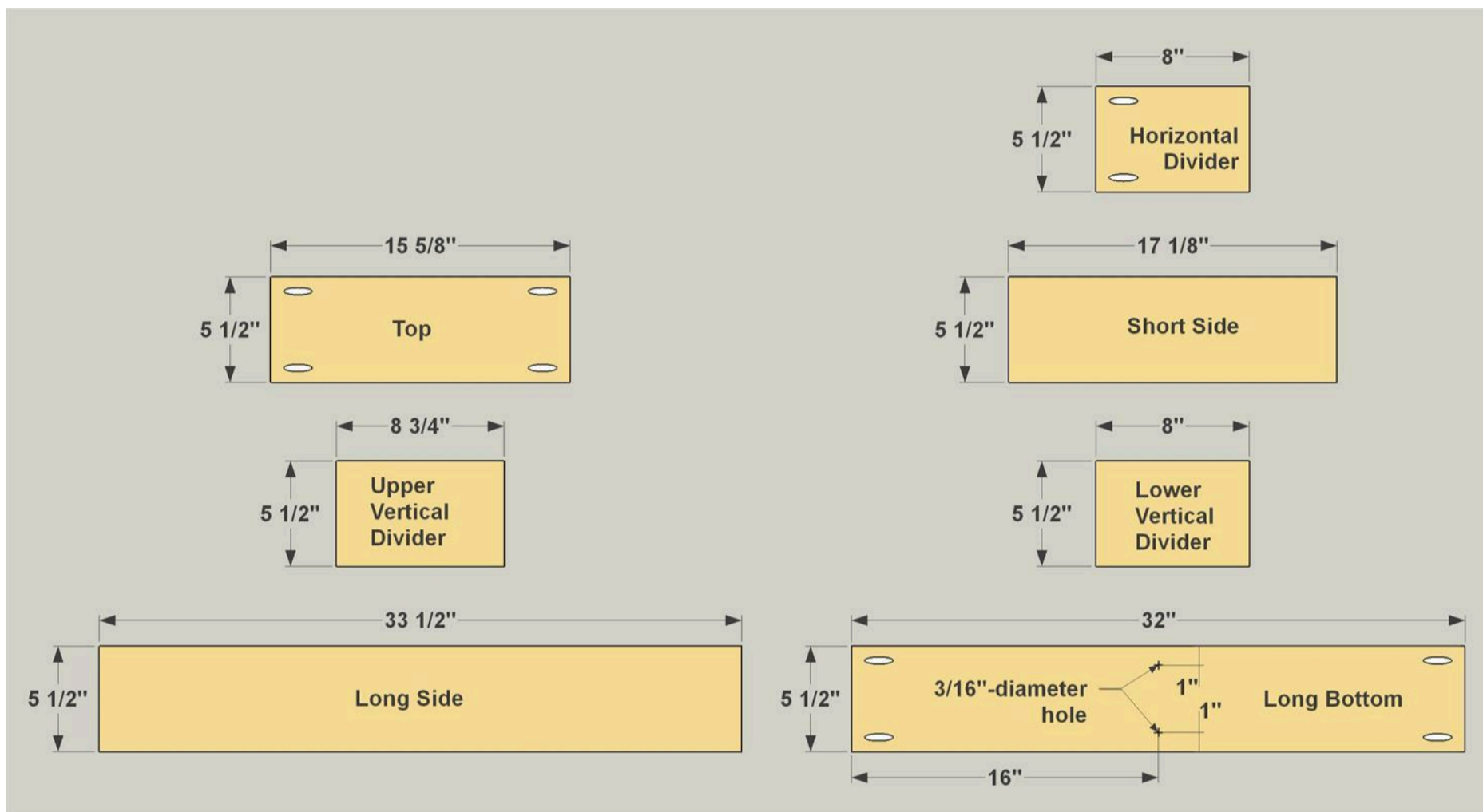


Directions

1

Make the Outside Box Parts

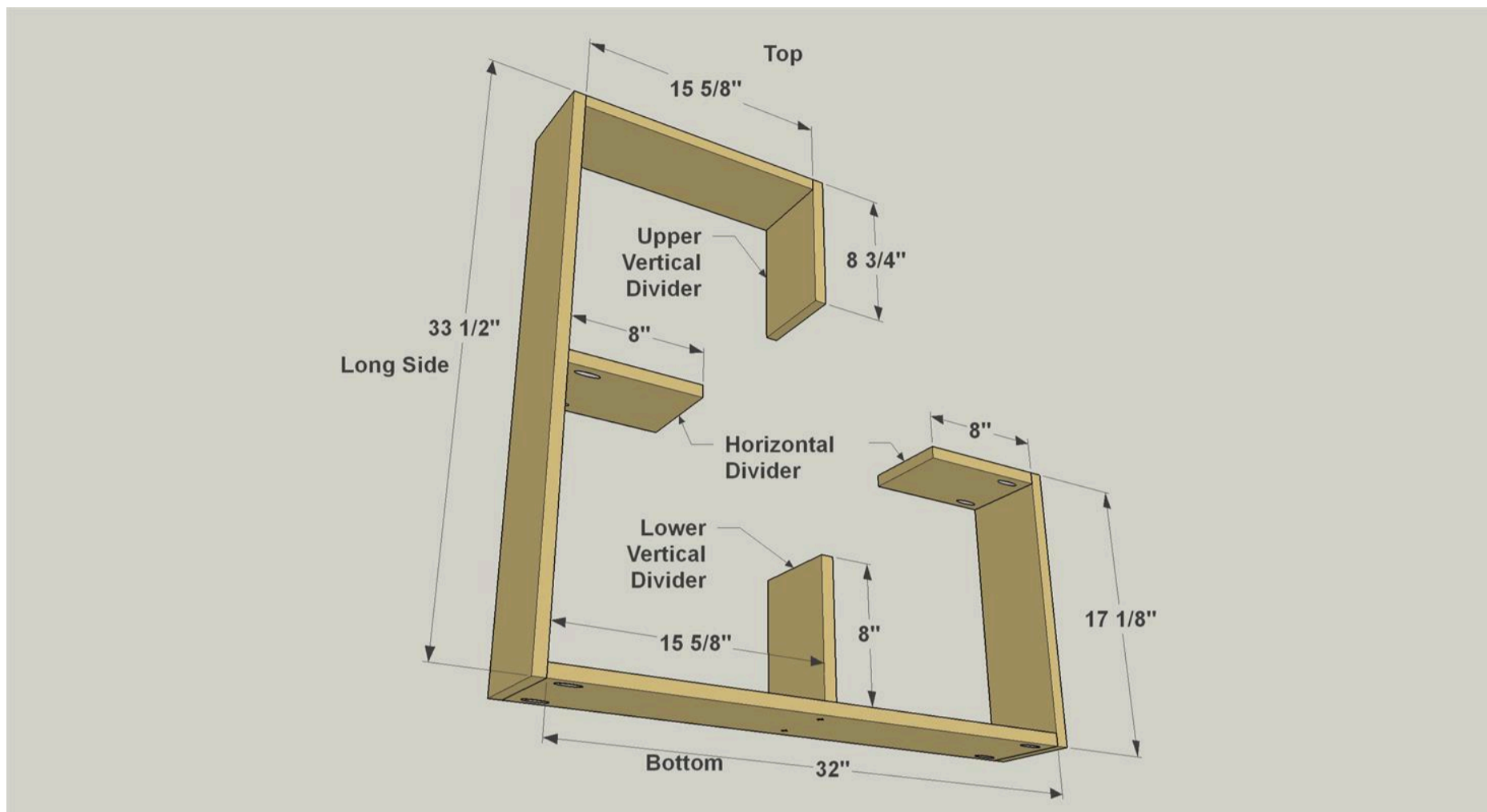
Start by cutting the parts for the outside box from 1x6 boards, as shown in the cutting diagram. You'll need one Top, one Long Bottom, one Long Side, one Short Side, two Horizontal Dividers, as well as a Lower Vertical Divider and an Upper Vertical Divider. With your pocket hole jig set up for 3/4" material, drill pocket holes where shown. Also drill a pair of 3/16" holes in the Long Bottom, where shown.



2

Assemble the Outside Box

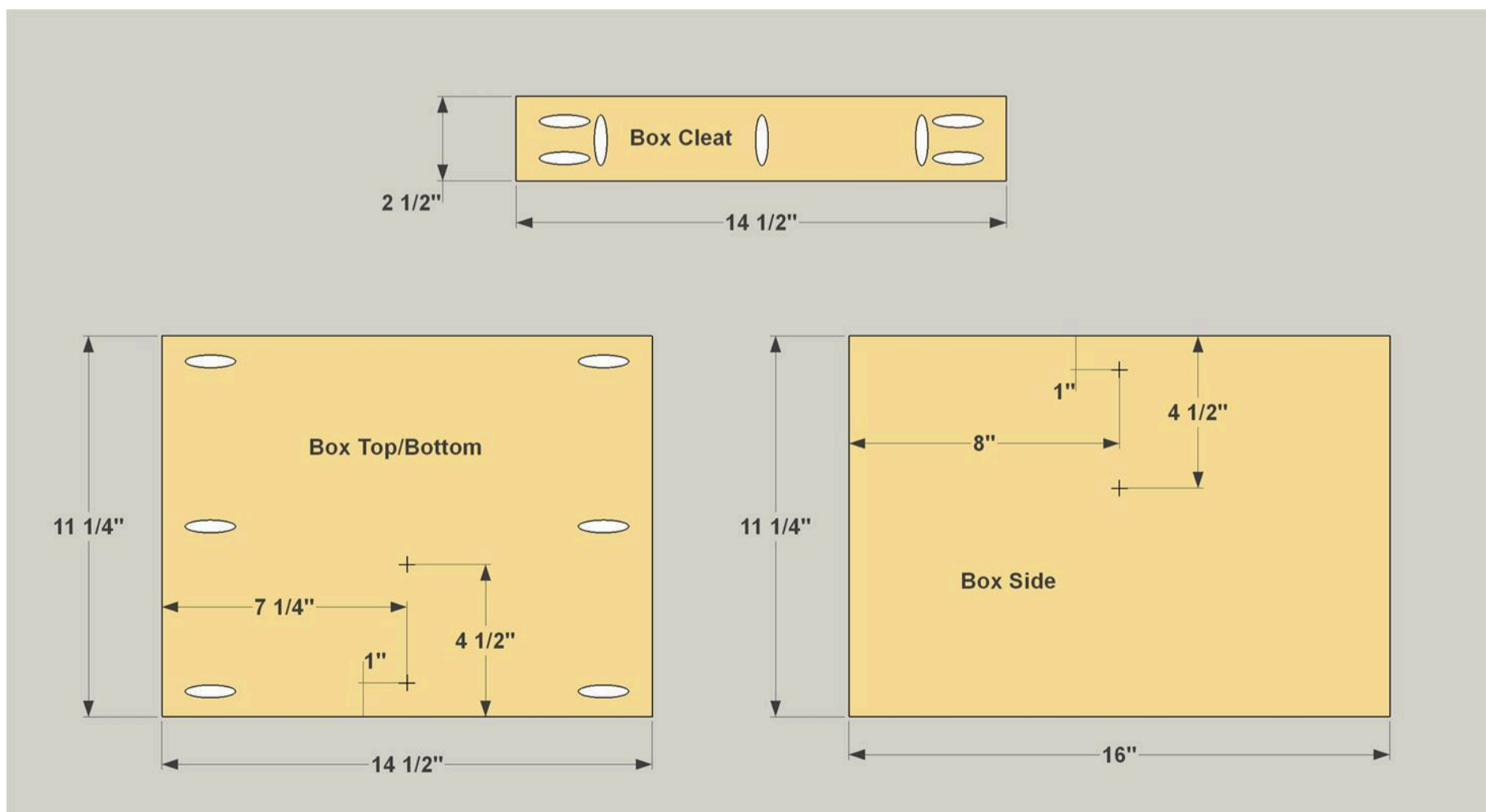
Assemble the Outside Box using 1 1/4" pocket hole screws, as shown. To attach the Lower Vertical Divider, first clamp it in position, as shown. Then, using the holes in the Long Bottom as guides, drill 3/32" pilot holes into the Lower Vertical Divider. Attach the Lower Vertical Divider to the Long Bottom using #8 x 2" wood screws.



3

Make the Inside Box Parts

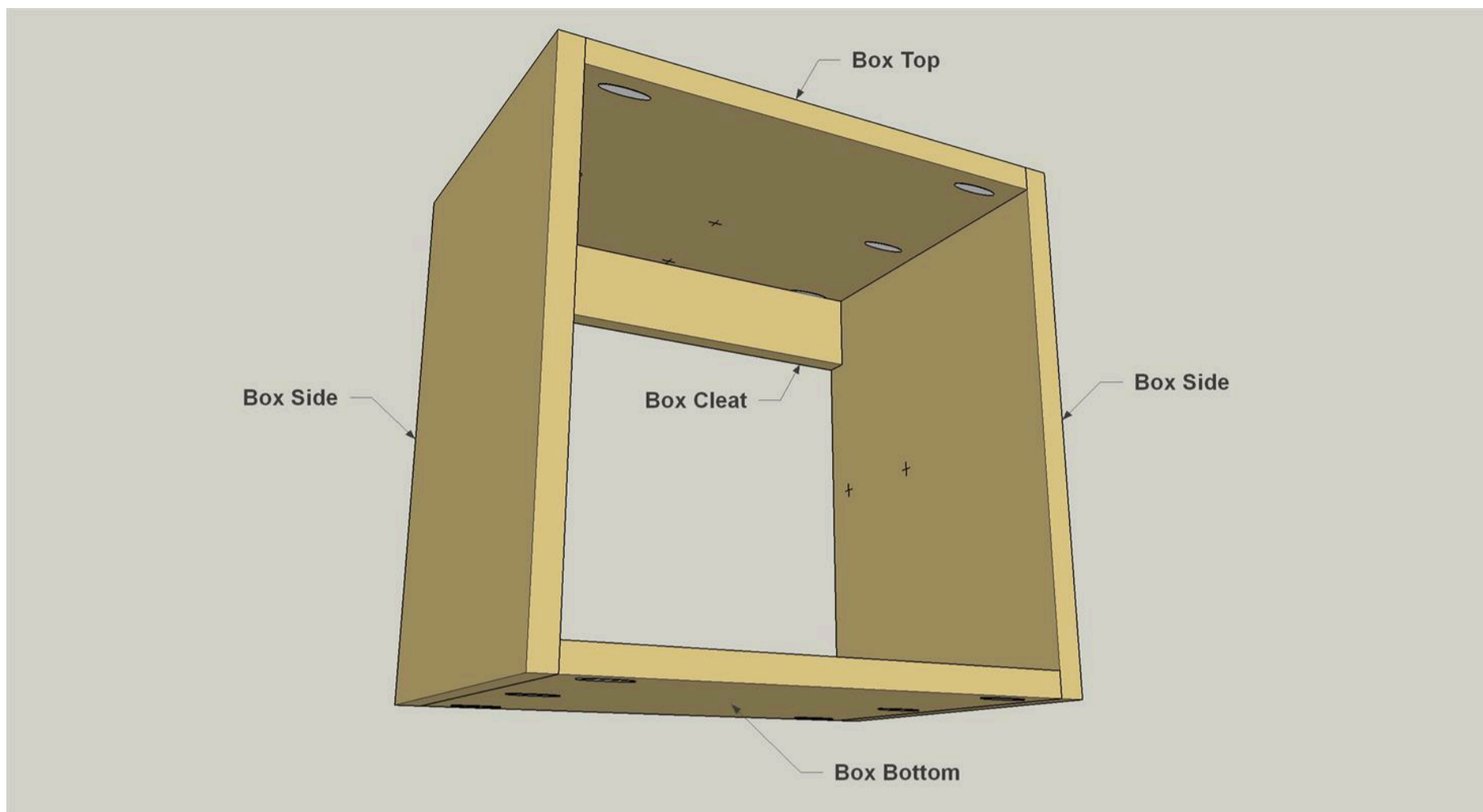
Now you can make the parts for the inside box, as shown in the cutting diagram. Cut one Box Top, one Box Bottom, and two Box Sides from a 1x12 board. Then cut one Box Cleat from a 1x3 board. With your pocket hole jig set up for 3/4" material, drill pocket holes where shown. Also drill 3/16" holes in the Top, Bottom, and Sides where shown.



4

Assemble the Inside Box

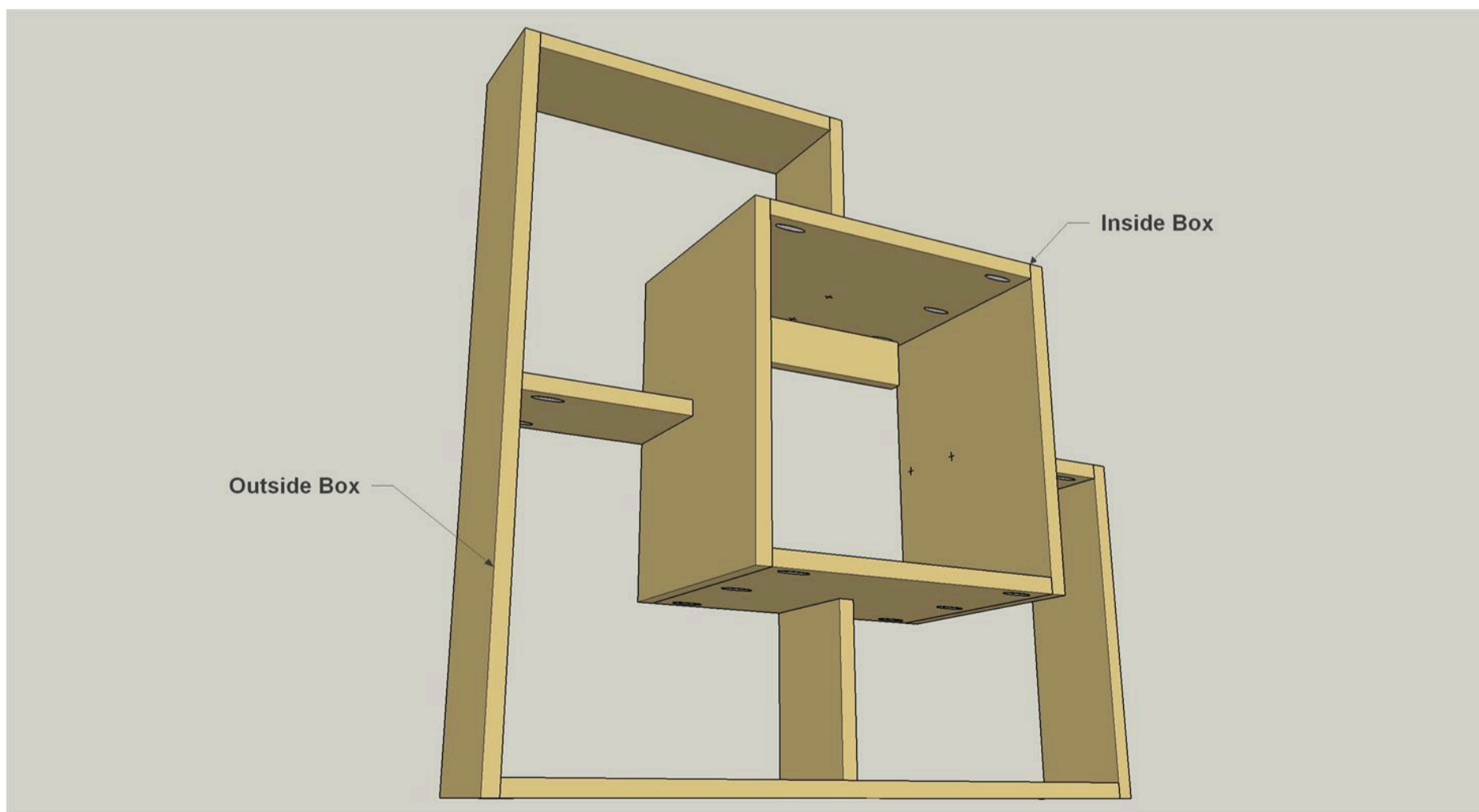
Assemble the inside box using 1 1/4" Pocket Hole Screws, as shown.



5

Bring the Boxes Together

Set the inside box in position within the outside box, making sure that it's sitting square. Then, using the holes in the Top, Bottom, and Side as guides, drill 3/32" pilot holes into the Horizontal and Vertical Dividers in the outside box. Then attach the inside box using #8 x 2" wood screws.



6**Hang Your Display Shelves**

With everything complete, you can apply the stain or paint of your choice. Or, try a combination of both to give the project some extra pop. When you're ready to mount your display shelves to the wall, there are lots of options. One that works great is called a "Hangman" system. The 18" version is a good choice, but it's a bit too long. Just cut it to length with a hacksaw, mount the pieces to the cleat and wall according to the instructions, and you're set.
