

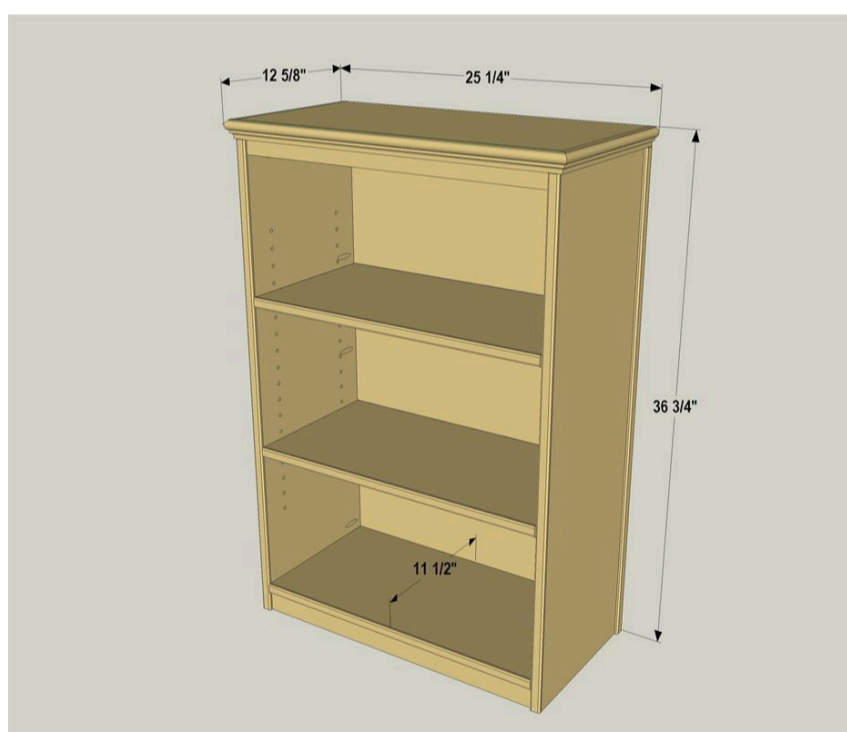
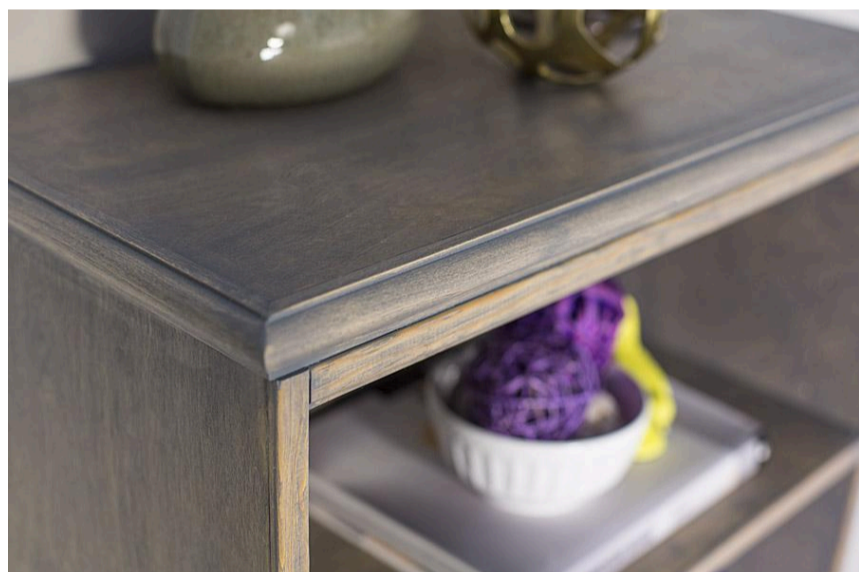
Compact Bookcase

By **Kreg Tool**

Difficulty

Moderate

This compact bookcase offers a perfect solution whether you're looking for a place to keep your favorite books or you're seeking a place to display objects you love. Its compact size means you can fit it into almost any room, and the simple style means it will match a variety of decorating styles.



Tools

Kreg Tools



[Kreg® Pocket-Hole Jig 520PRO](#)



[Shelf Pin Jig 1/4"](#)



[Shelf Pins 1/4"](#)



[Shelf Pin Jig with 1/4" Bit](#)

Other Tools

Circular Saw (corded)

Miter Saw

Tape Measure

Hammer

Wood Glue

Sander

Materials

Wood Products

2 Plywood , 3/4" Thick , Half Sheet

1 Board , 1x2 , 72"

3 Screen Molding , 1/4" X 3/4" , 96"

1 Base Cap Molding , 5/8" X 1 1/4" , 96"

Hardware & Supplies

50 1 1/4" Coarse Pocket Hole Screws

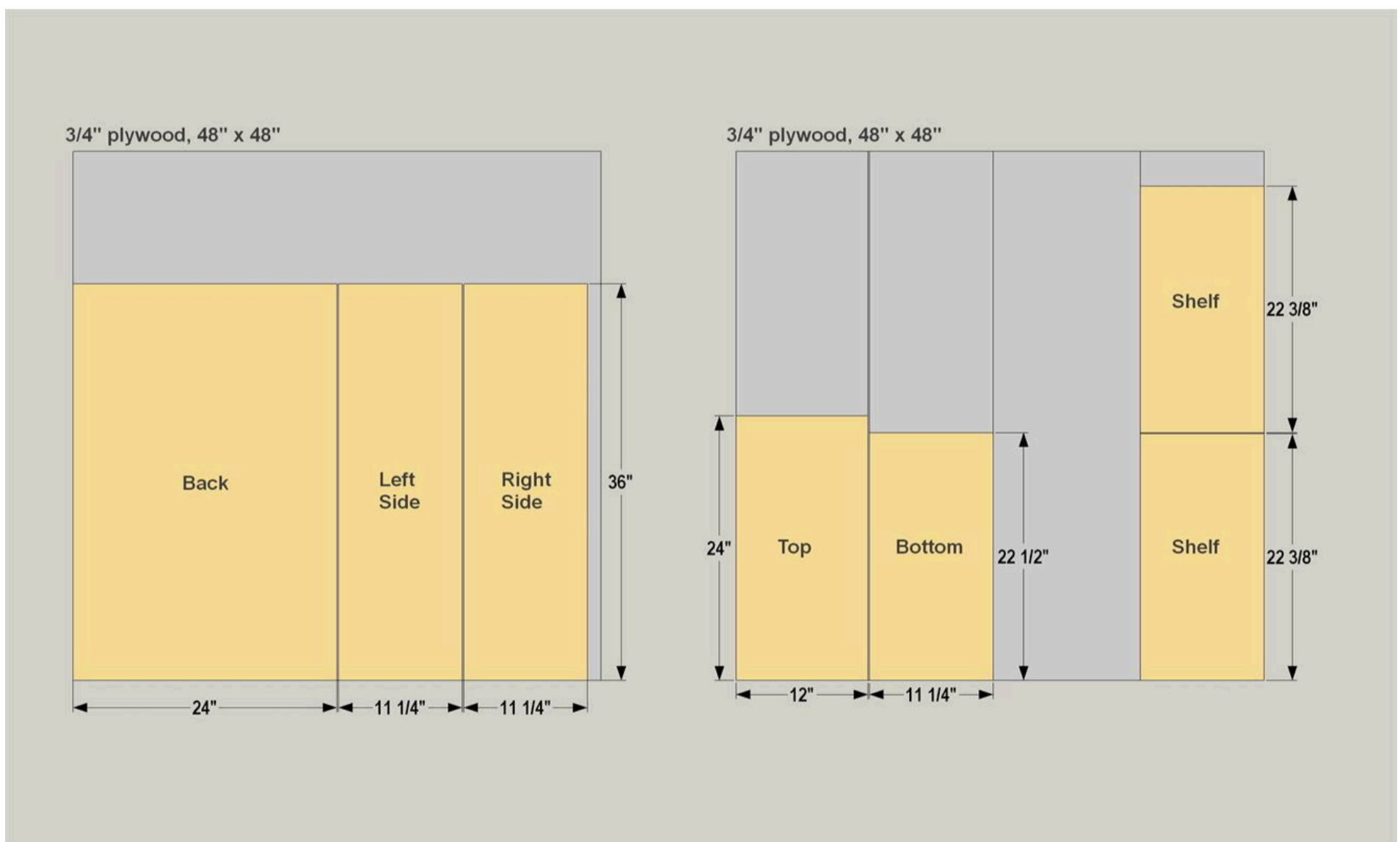
32 #18 X 3/4" Brad Nails

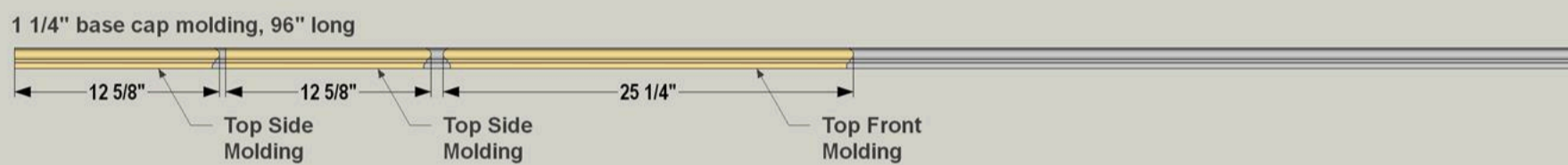
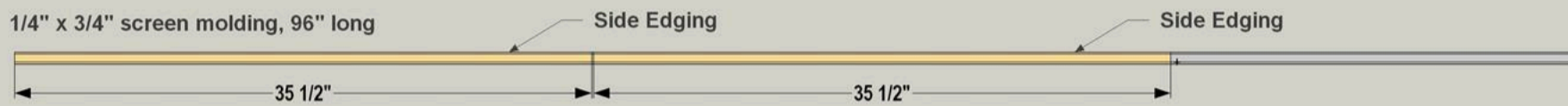
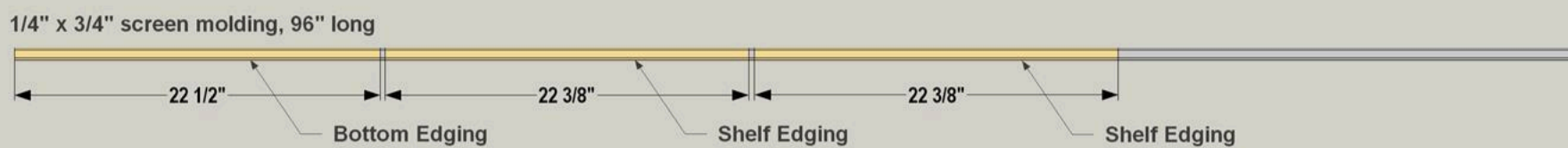
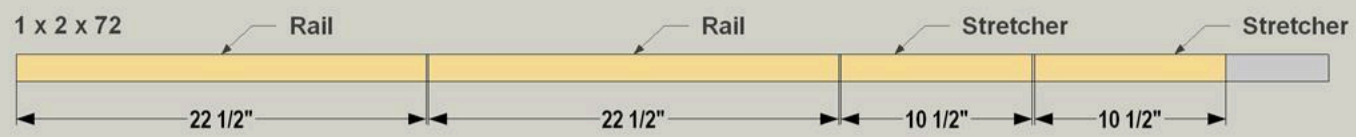
10 #18 X 1 1/4" Brad Nails

8 Shelf Pins

Cut List & Parts

- 1 Back , 3/4" Ply X 24" X 36"
- 1 Left Side , 3/4" Ply X 11 1/4" X 36"
- 1 Right Side , 3/4" Ply X 11 1/4" X 36"
- 2 Rails , 3/4" X 11 1/2" X 22 1/2"
- 2 Stretchers , 3/4" X 11 1/2" X 10 1/2"
- 1 Bottom , 3/4" Ply X 11 1/4" X 22 1/2"
- 1 Top , 3/4" Ply X 12" X 24"
- 2 Top Side Molding , 5/8" X 11 1/4" X 12 5/8"
- 1 Top Front Molding , 5/8" X 11 1/4" X 25 1/4"
- 1 Bottom Edging , 1/4" X 3/4" X 22 1/2"
- 2 Shelf , 3/4" Ply X 11 1/4" X 22 3/8"
- 2 Shelf Edging , 1/4" X 3/4" X 22 3/8"
- 2 Front Edging , 1/4" X 3/4" X 35 1/2"
- 2 Side Edging , 1/4" X 3/4" X 35 1/2"



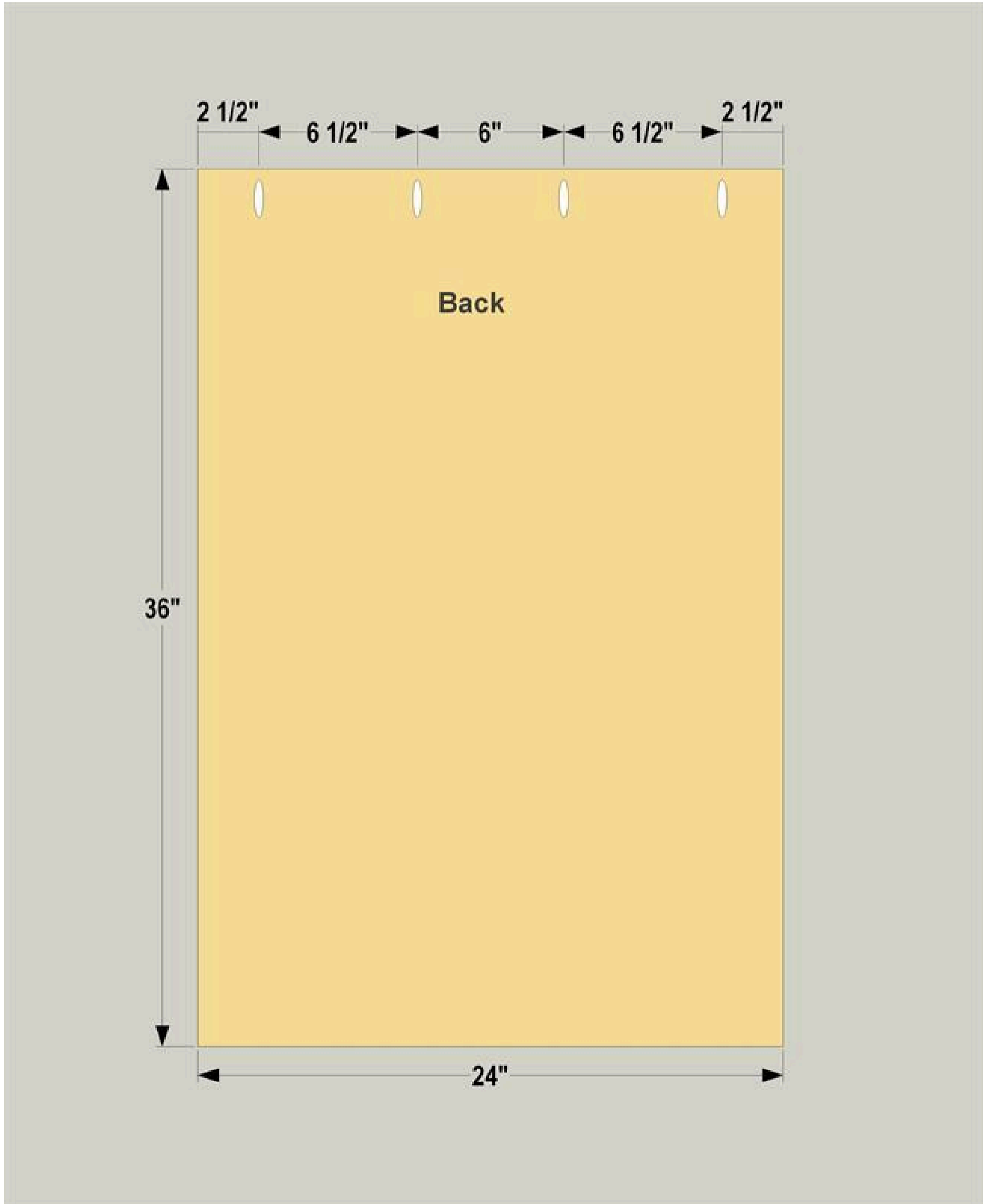


Directions

1

Create the Back

Cut one Back to size from 3/4" plywood, as shown in the cutting diagram. Then, with your pocket hole jig set up for 3/4" material, drill pocket holes in the Back, as shown.

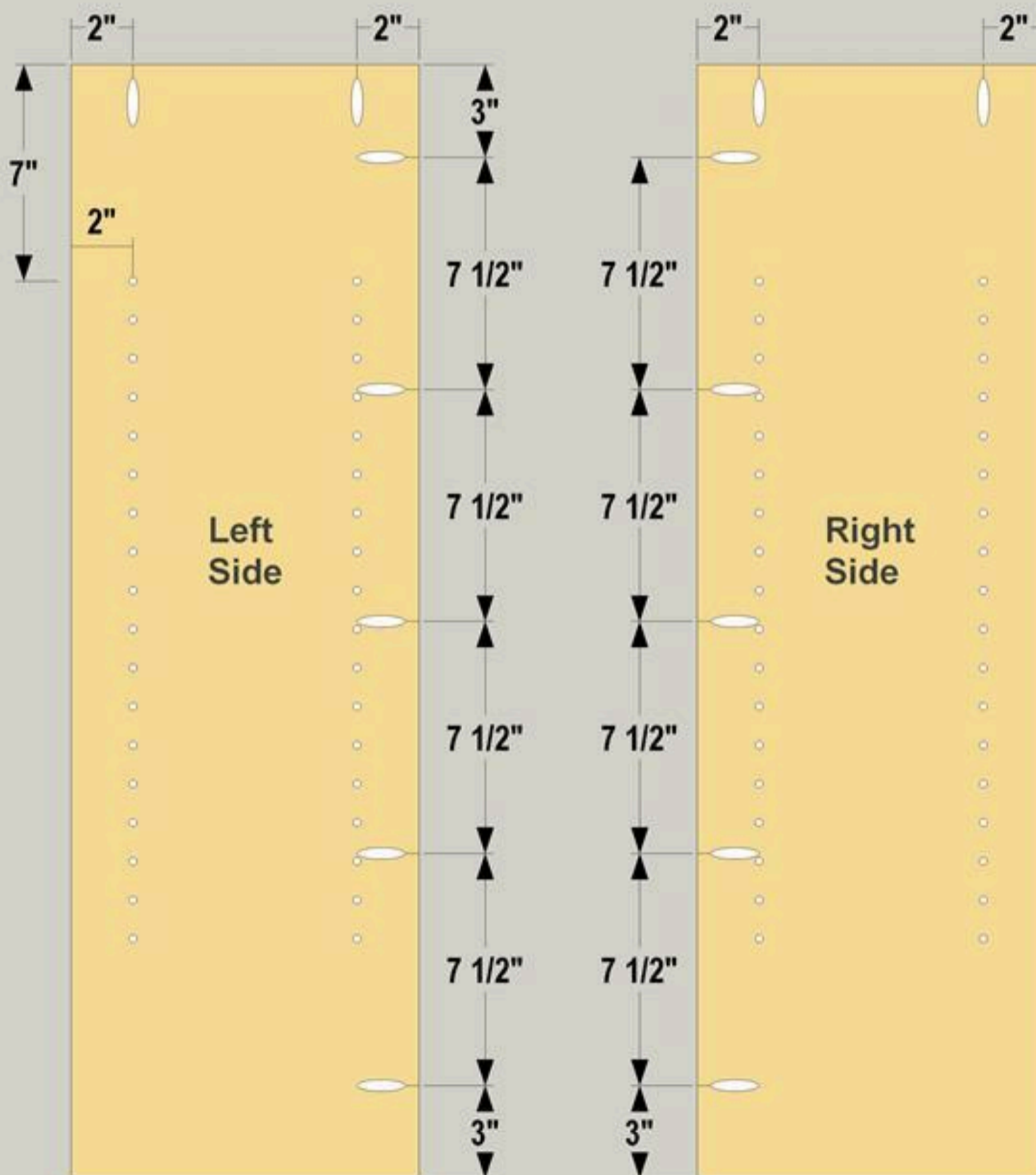


2

Create a Pair of Sides

Cut one Left Side and one Right Side to size from 3/4" plywood, as shown in the cutting diagram. Then, with your pocket hole jig set up for 3/4" material, drill pocket holes in the Sides, as shown. Then, drill holes for adjustable shelf pins, as shown. The easiest way to do this is with a Kreg Shelf Pin Jig.

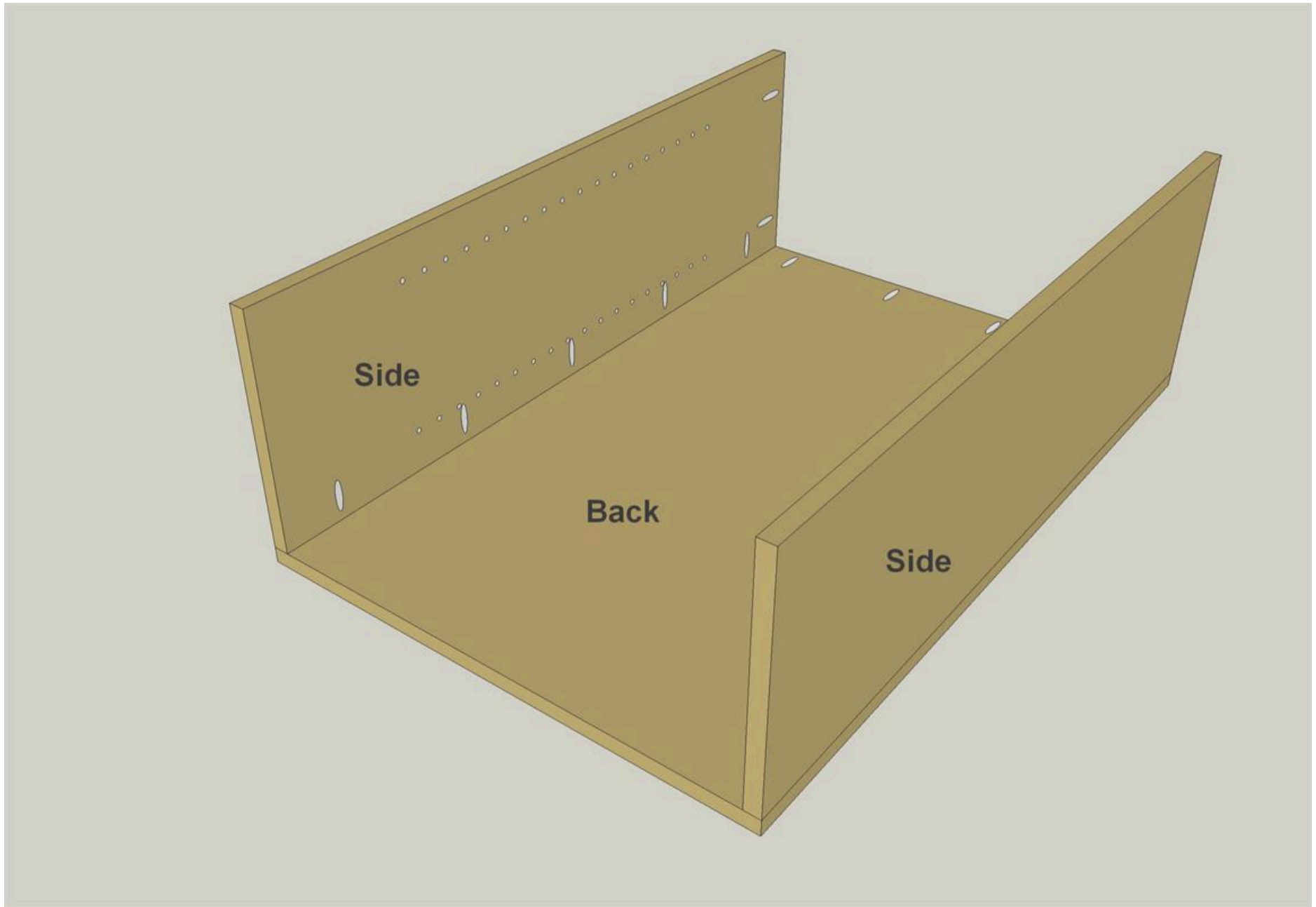
NOTE: The setback spacing (distance from the edge to the shelf-pin holes) shown matches the first-generation Kreg Shelf Pin Jig. The second generation model, released in March 2022, has different setback spacing. The vertical distance between the pin holes, though, matches the dimensions shown here—1 1/4". You can create the shelf-pin holes accurately using either the first- or second-generation jig.



3

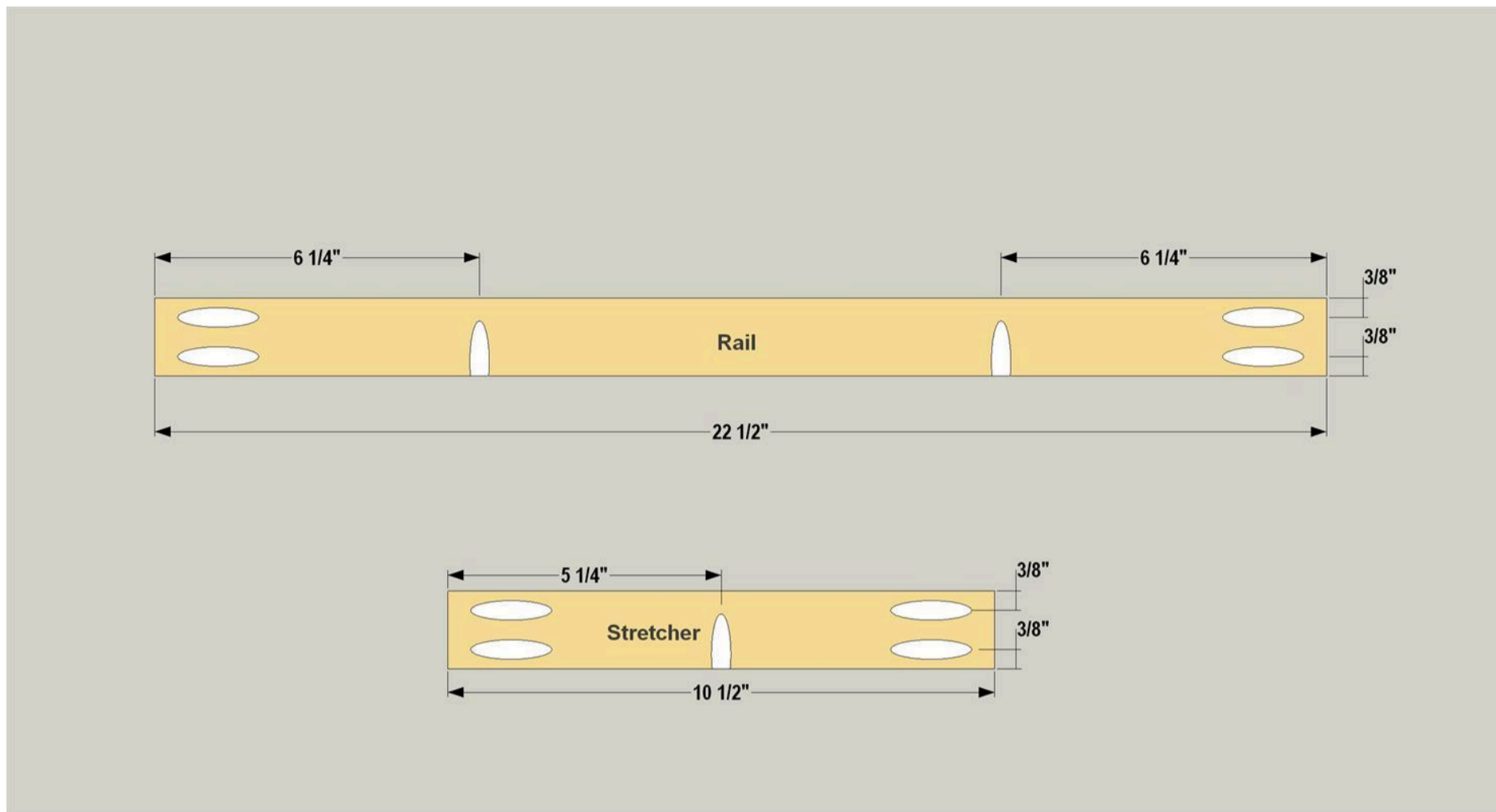
Assemble the Back and Sides

Attach the Sides to the Back using 1 1/4" coarse-thread pocket hole screws. Make sure that that the parts are oriented in the proper direction before assembly.



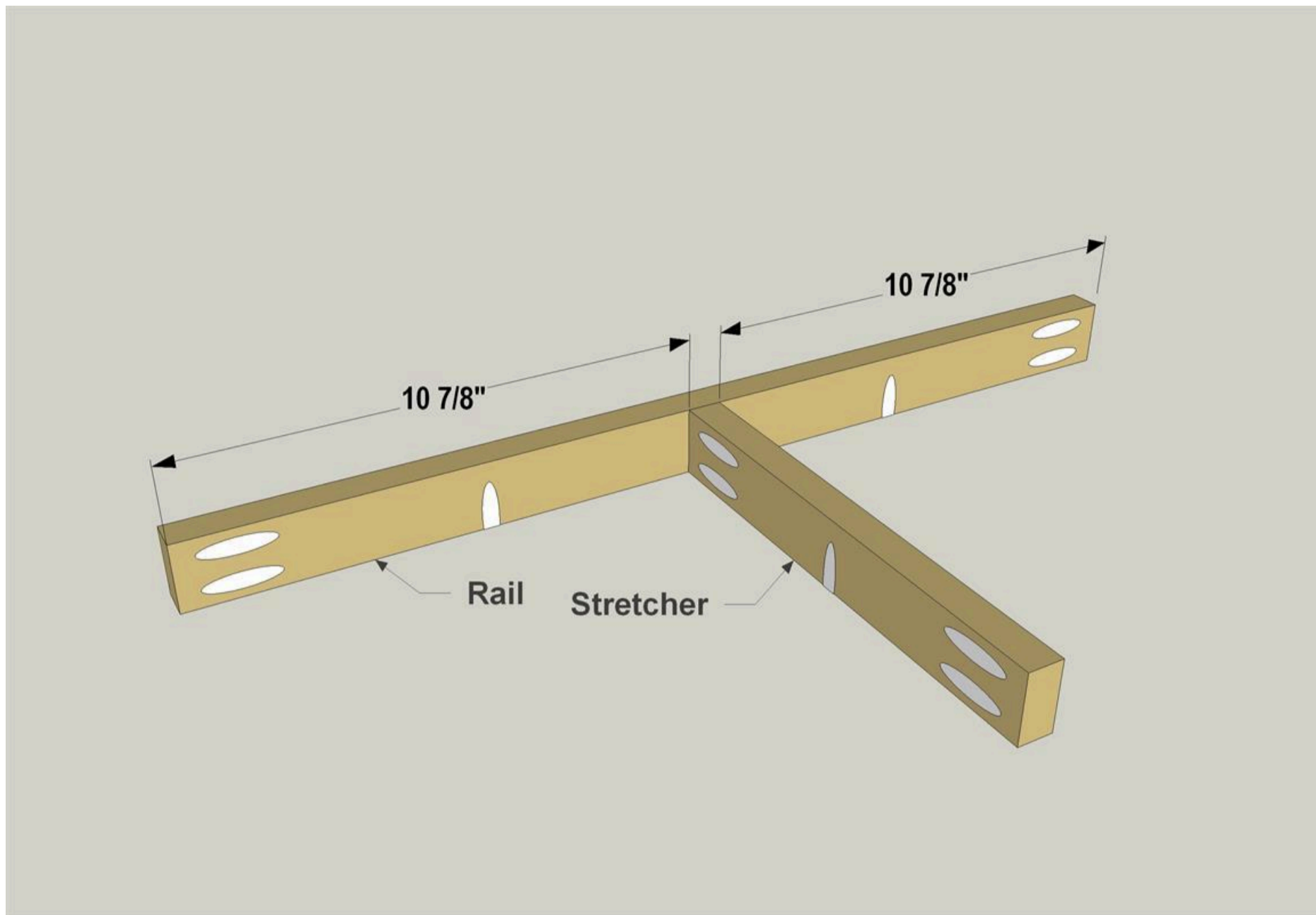
4**Make Rails and Stretchers**

Cut two Rails and two Stretchers from a 1x2 board, as shown in the cutting diagram. Then, with your pocket hole jig set up for 3/4" material, drill pocket holes in the Rails and Stretchers, as shown.



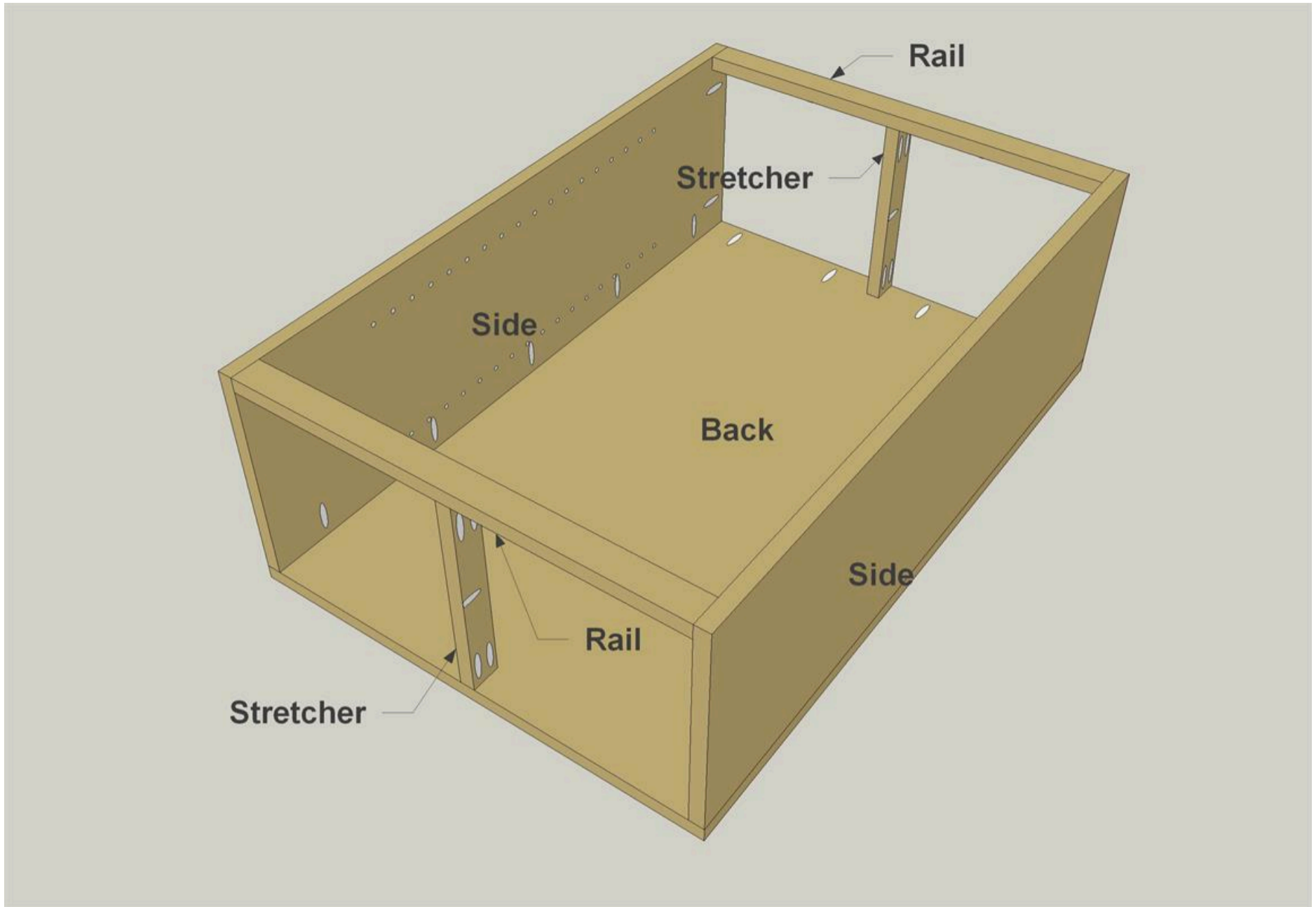
5**Assemble the Rails and Stretchers**

Attach each Stretcher to each Rail using 1 1/4" coarse-thread pocket hole screws. Make sure that the pocket holes in the edges of the pieces are all oriented in the proper direction before assembly.



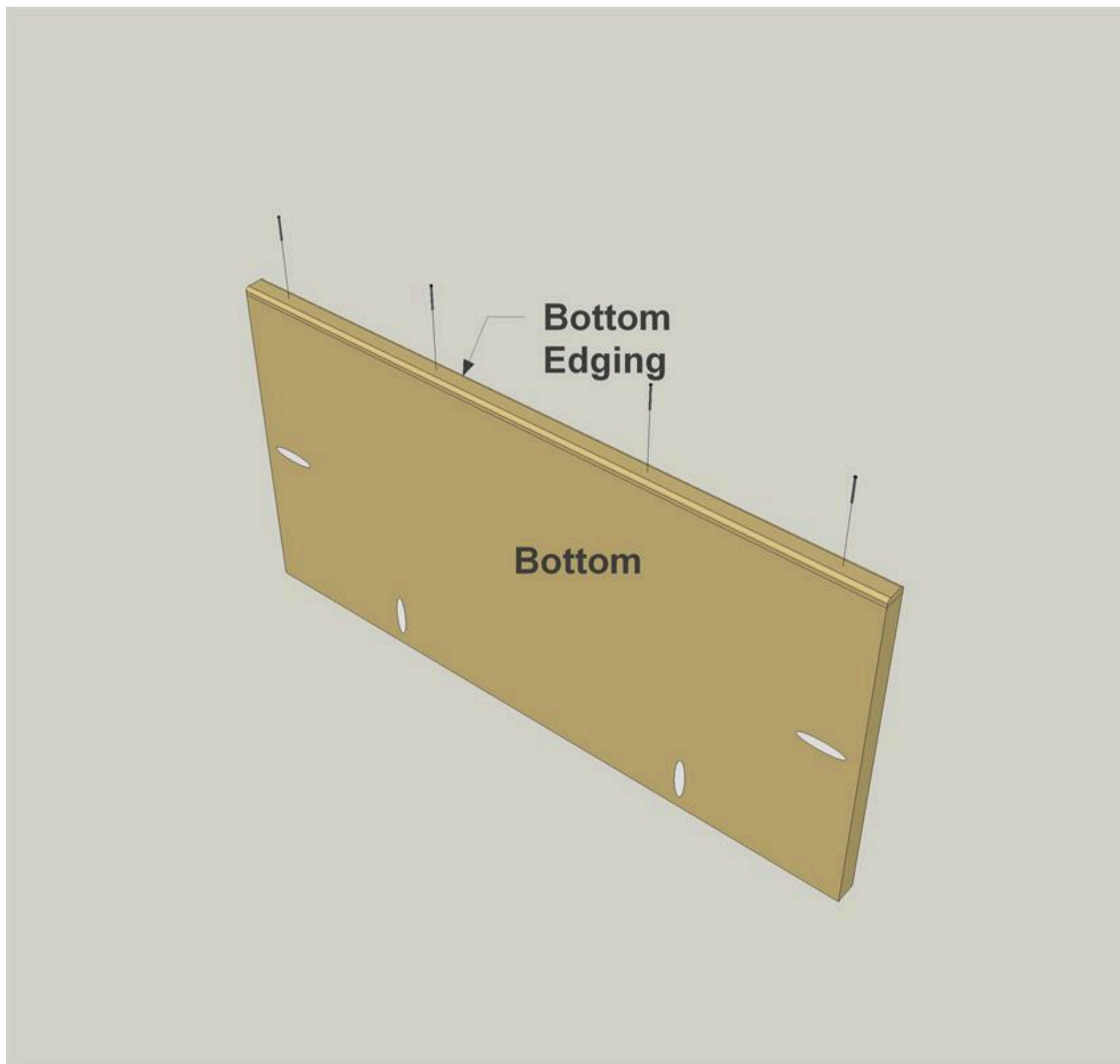
6**Install the Rails and Stretchers**

Attach Rail/Stretchers using 1 1/4" coarse-thread pocket hole screws. Make sure that the pocket holes in the edges of the Rails and Stretchers are oriented so that you'll be able to attach the bookcase top and bottom later.



7**Make a Bottom**

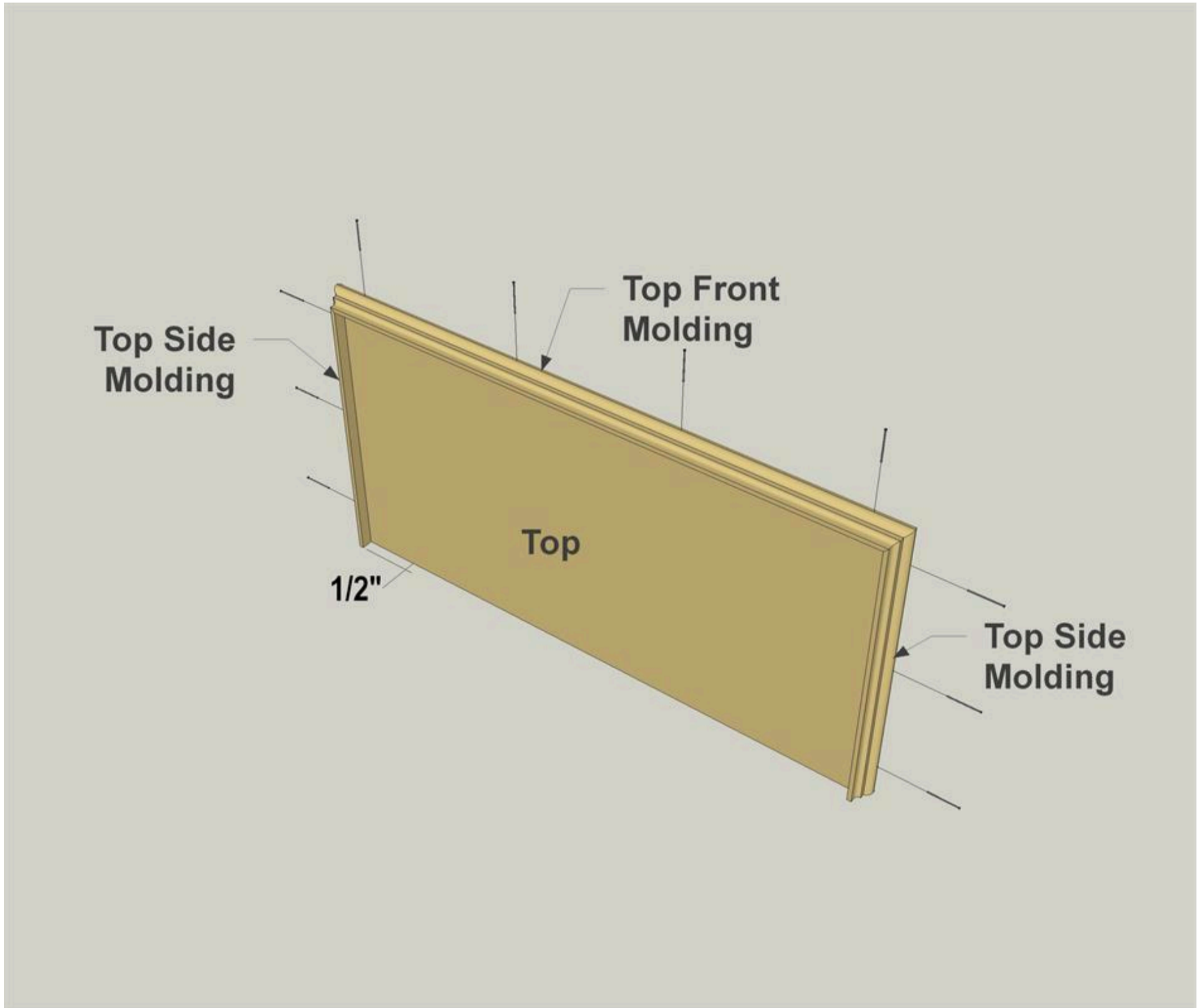
Cut one bottom to size from 3/4" plywood, as shown in the cutting diagram. Also cut Bottom Edging to length from a piece of screen molding. Then, attach the Bottom Edging to the Bottom using #18 x 3/4" brads and wood glue, as shown.

**8****Make the Top**

Cut one Top to size from 3/4" plywood, as shown in the cutting diagram. Also cut Top Side Molding and Top Front Molding to size from a piece of base cap molding (which you can get at a home center). Note that the Molding pieces are mitered to wrap around the front and sides of the bookcase Top.

9**Attach the Top Molding**

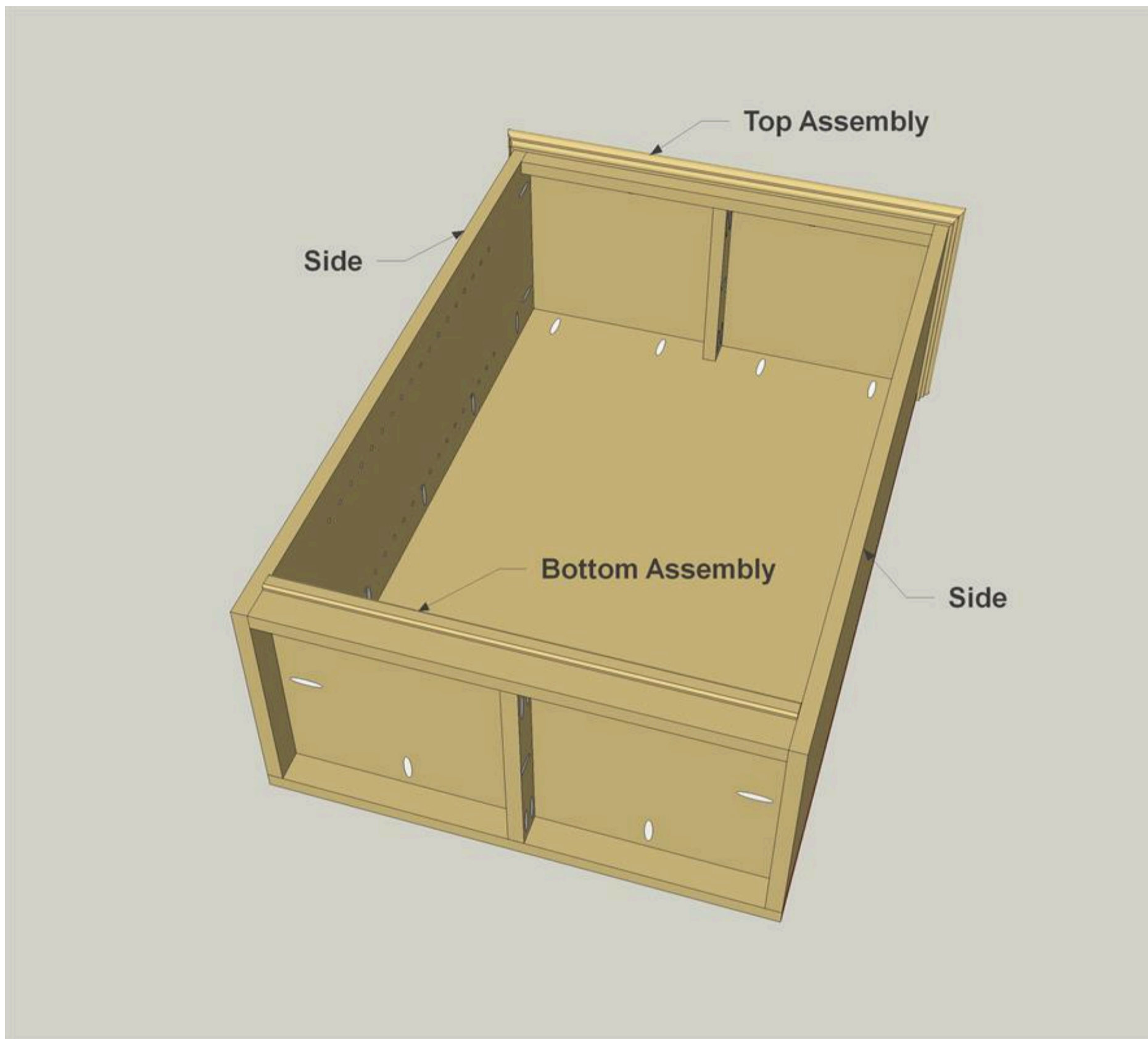
Now you can attach the Top Side Molding and Top Front Molding to the Top using #18 x 1 1/4" brads, along with wood glue. Make sure that the molding fits flush with the upper face of the Top, and that the mitered joints fit tightly.



10

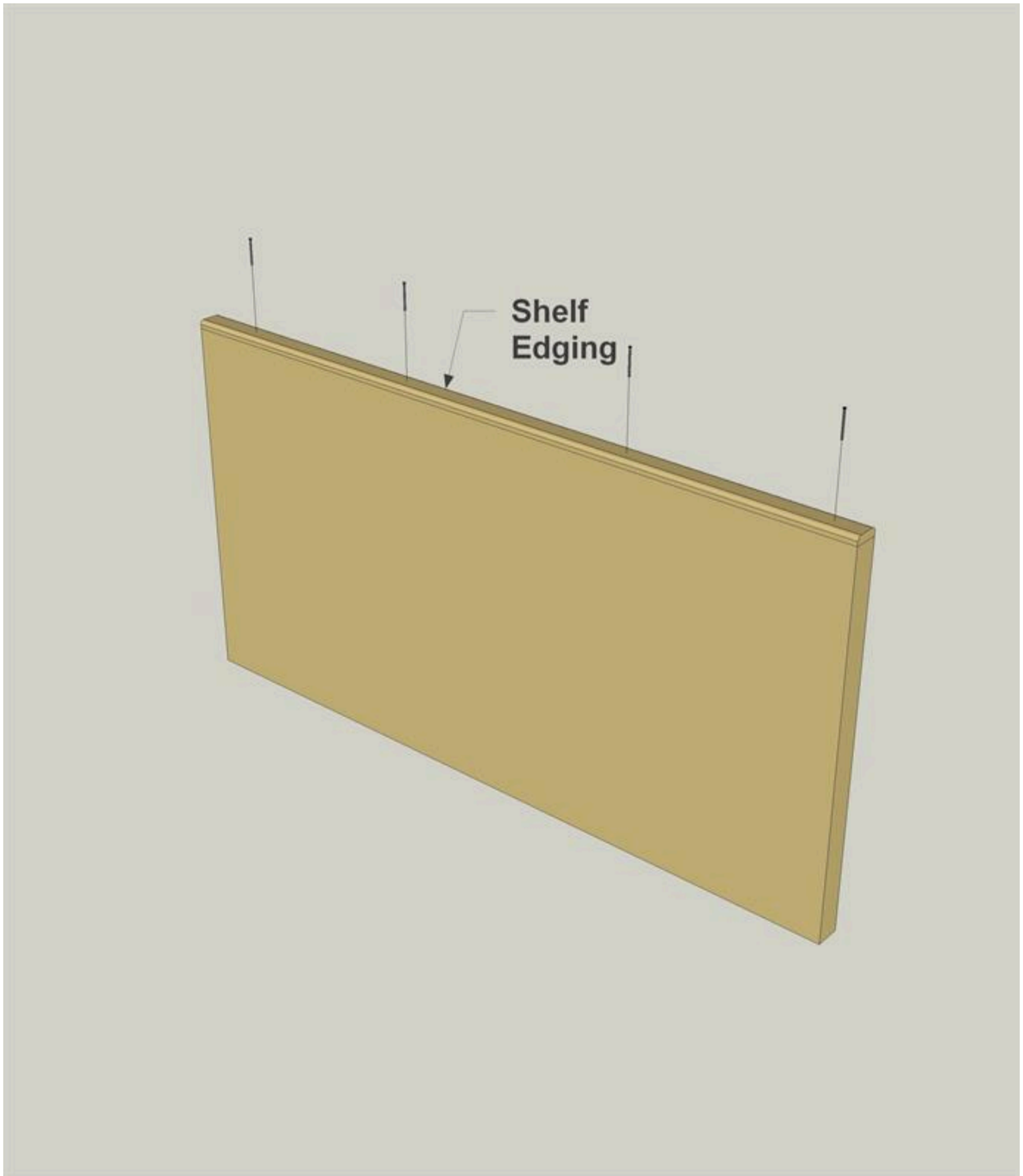
Install the Top and Bottom

Attach the Top and Bottom assemblies to the bookcase using 1 1/4" coarse-thread pocket hole screws.



11**Make a Pair of Shelves**

Cut one Left Side and one Right Side to size from 3/4" plywood, as shown in the cutting diagram. Also cut Shelf Edging to length from a piece of screen molding. Then, attach the Shelf Edging to each Shelf using #18 x 3/4" brads, as well as wood glue, as shown.



12**Finish with Front and Side Edging**

Now you can cut two pieces of Front Edging and two pieces of Side Edging to length from screen molding, as shown in the cutting diagram. Then, glue and nail them on to cover the exposed plywood edges, as shown. Once the glue dries, you'll be set to stain or paint your shelves and load them up!

